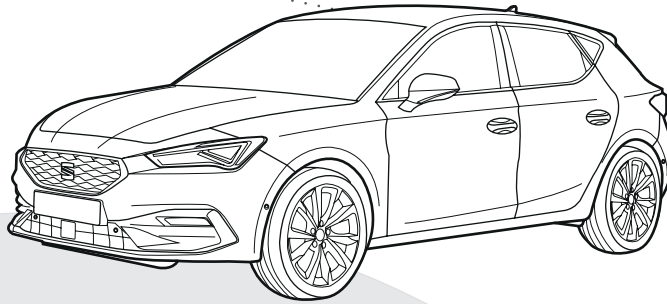




Seat Leon Hatchback (type KL1)

11/'19 -

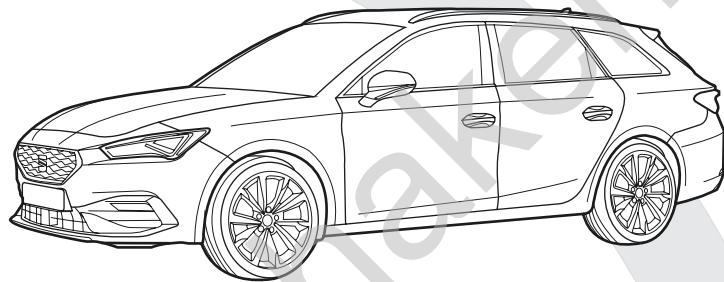
- ✓ STANDARD
- ✓ FR
- ✓ PLUG-IN HYBRID
- ✗ CUPRA



Seat Leon Sportstourer (type KL8)

03/'20 -

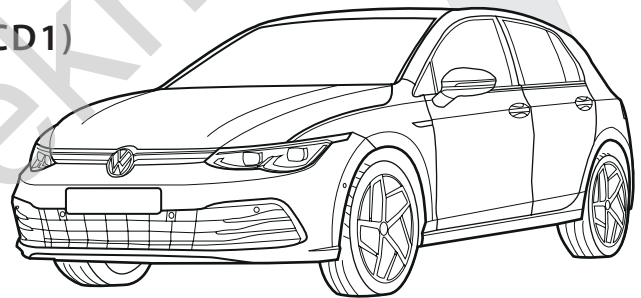
- ✓ STANDARD



VW Golf VIII (type CD1)

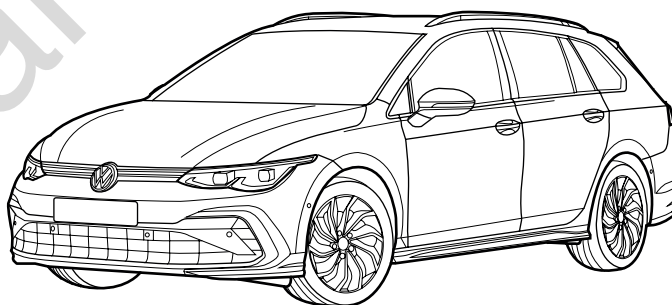
07/'19 -

- ✓ STANDARD
- ✓ MILD HYBRID
- ✓ R-LINE
- ✗ GTI



VW Golf VIII Variant (type CG5)

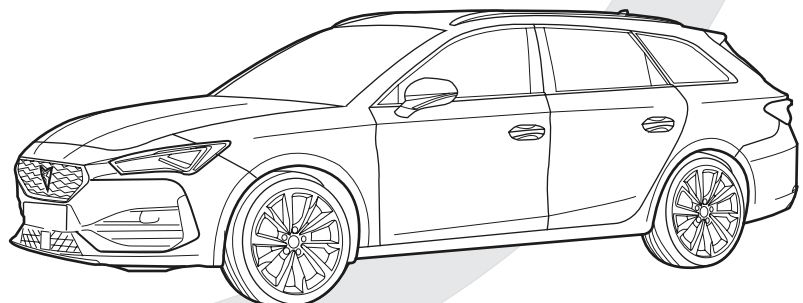
08/'20 -




Cupra Leon Sportstourer (type KL8)

09/'20 -

- ✓ STANDARD
- ✓ KICK SENSOR

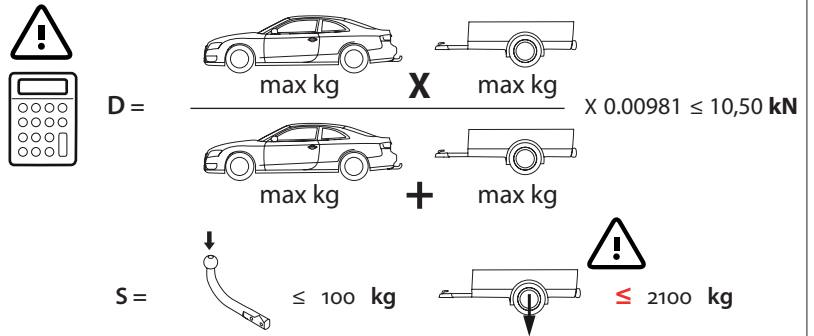


MADE BY  **D 10,50** **F** **E6**

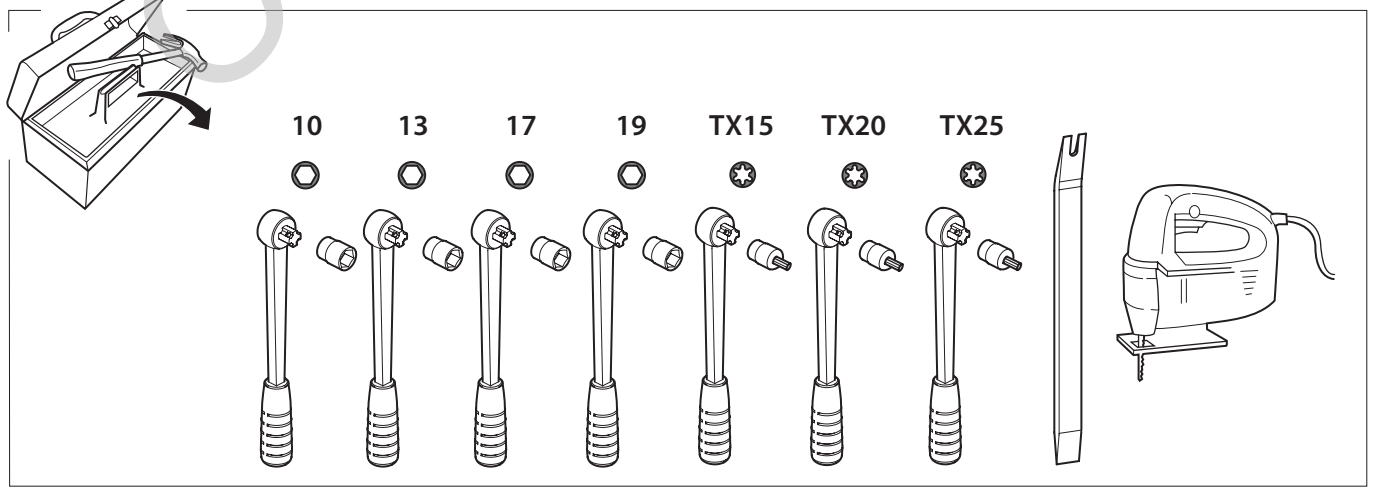
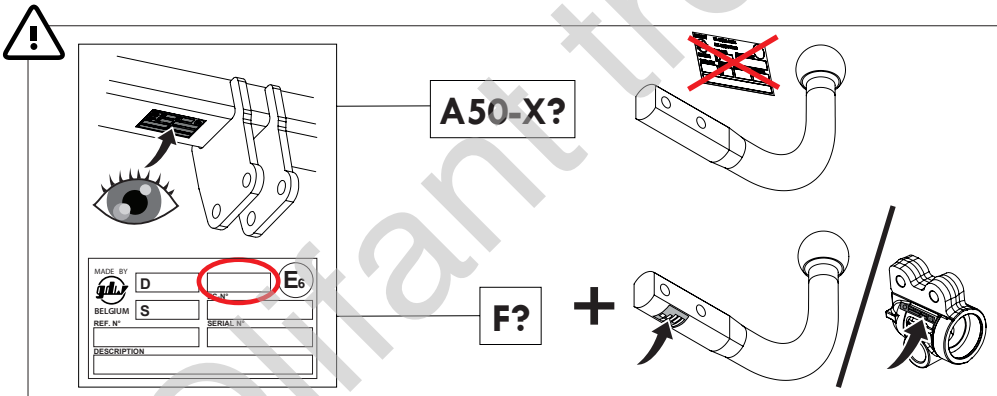
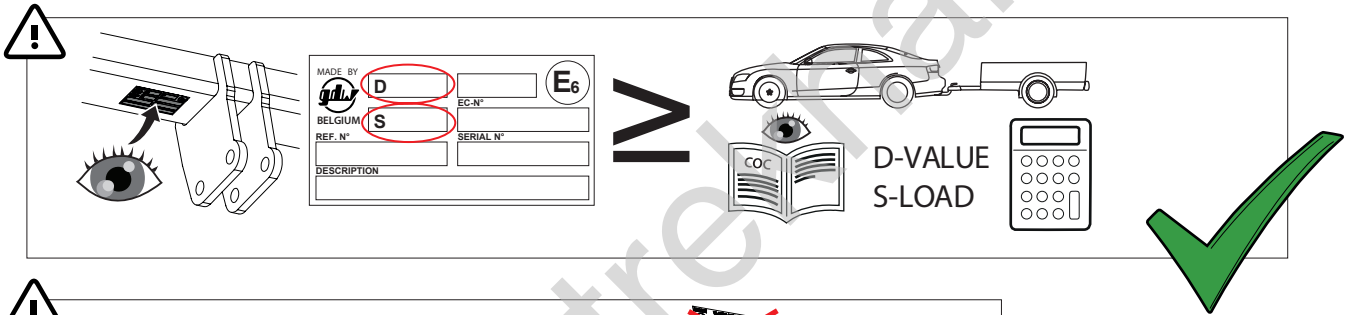
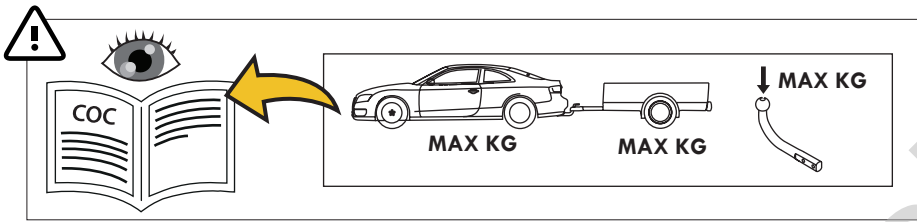
BELGIUM **S 100** EC-N° 55R-02 1655

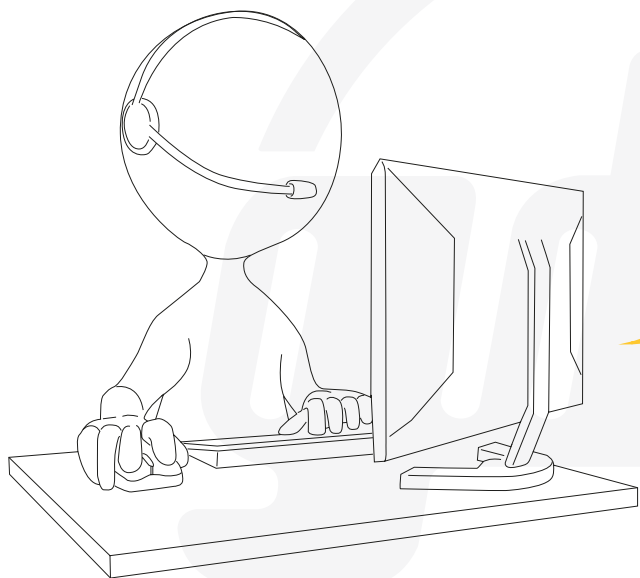
REF N° 2554T60 SERIAL N° XXXX

DESCRIPTION
 Seat Leon HB '19- + Seat Leon Sportstourer '20-
 VW Golf VIII HB '19- + VW Golf VIII Variant '20- +
 Cupra Leon Sportstourer '20-



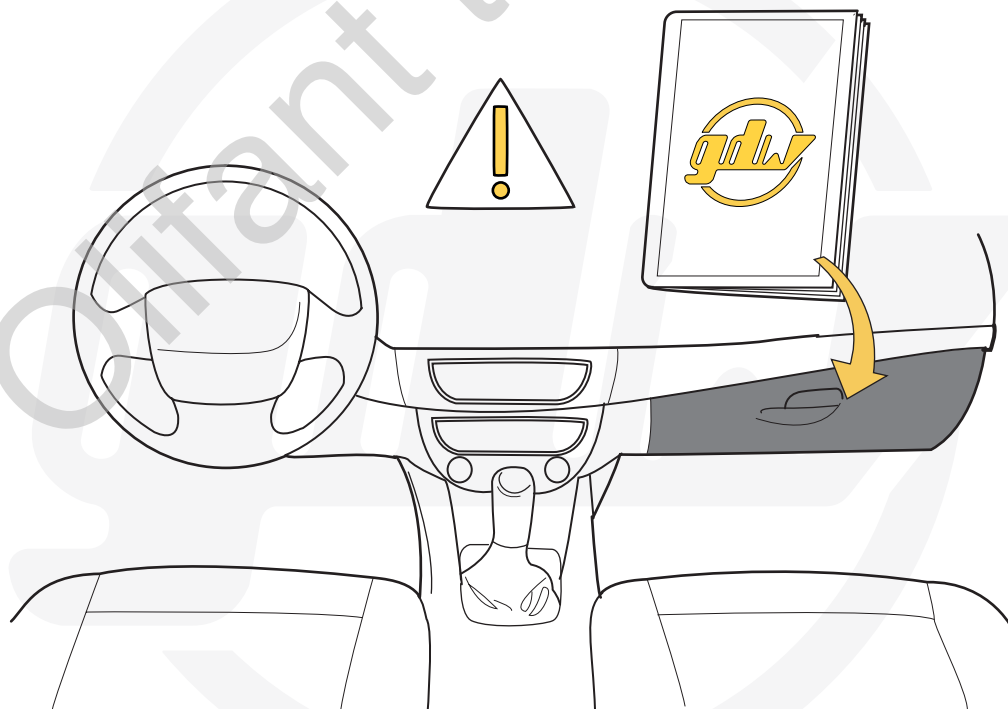
See the Certificate Of Conformity (COC) of your vehicle or contact your dealer to verify the max. trailer weight of your car!

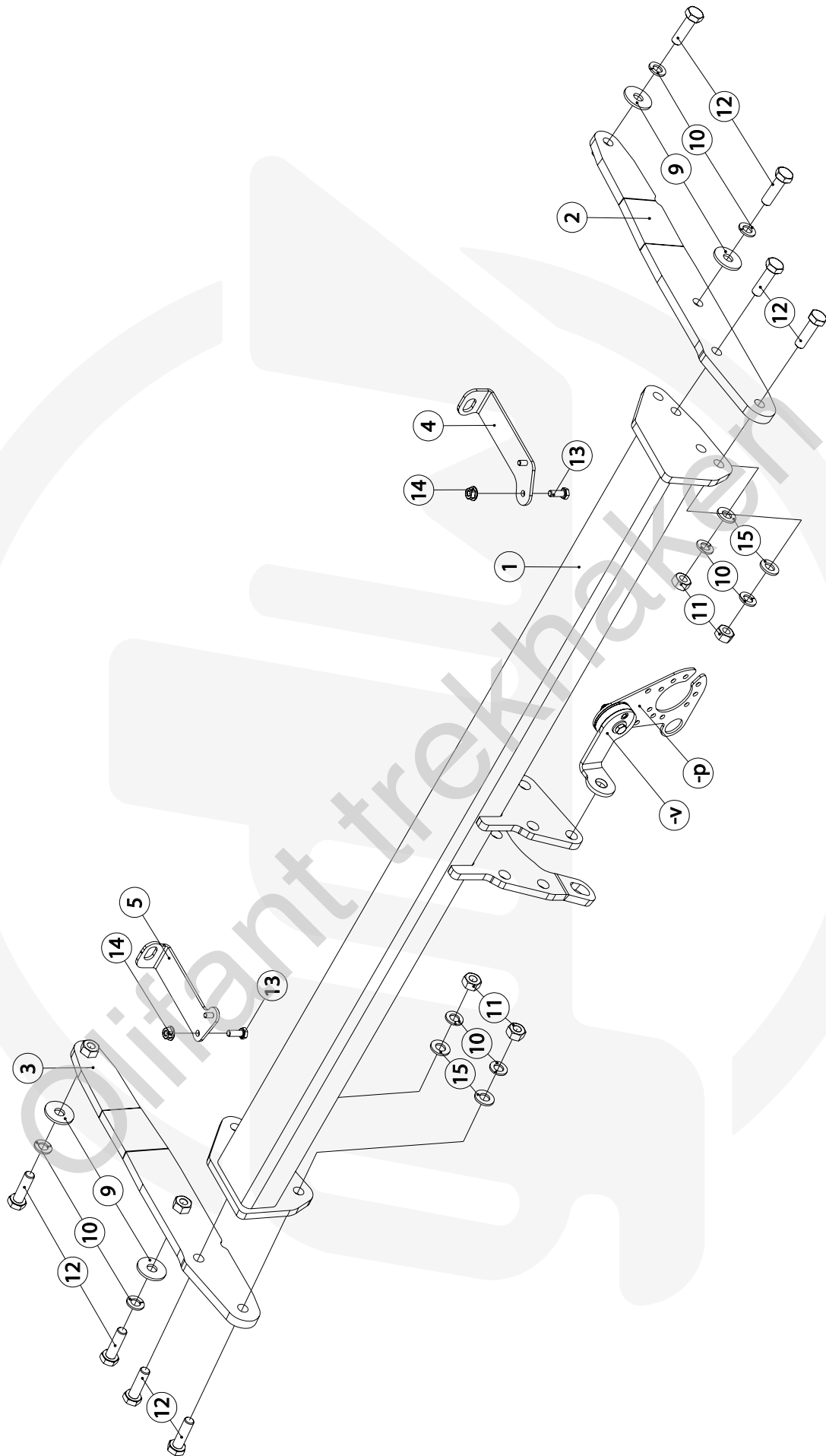


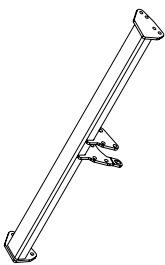
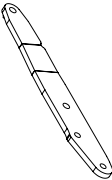
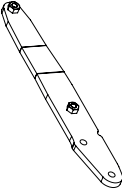

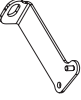
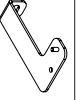








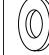
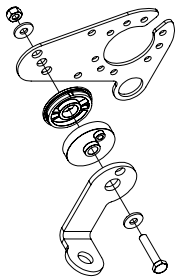



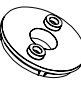
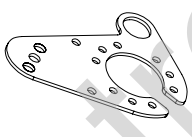


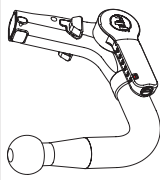

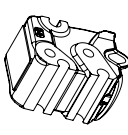


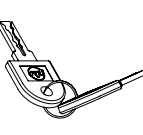

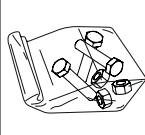






helpdesk@gdwtowbars.com
+32 56 62 77 79

| | | |
|-----------|---------------|---------------|
| Monday | 08:00 - 12:00 | 12:30 - 16:30 |
| Tuesday | 08:00 - 12:00 | 12:30 - 16:30 |
| Wednesday | 08:00 - 12:00 | 12:30 - 16:30 |
| Thursday | 08:00 - 12:00 | 12:30 - 16:30 |
| Friday | 08:00 - 12:00 | 12:30 - 15:30 |

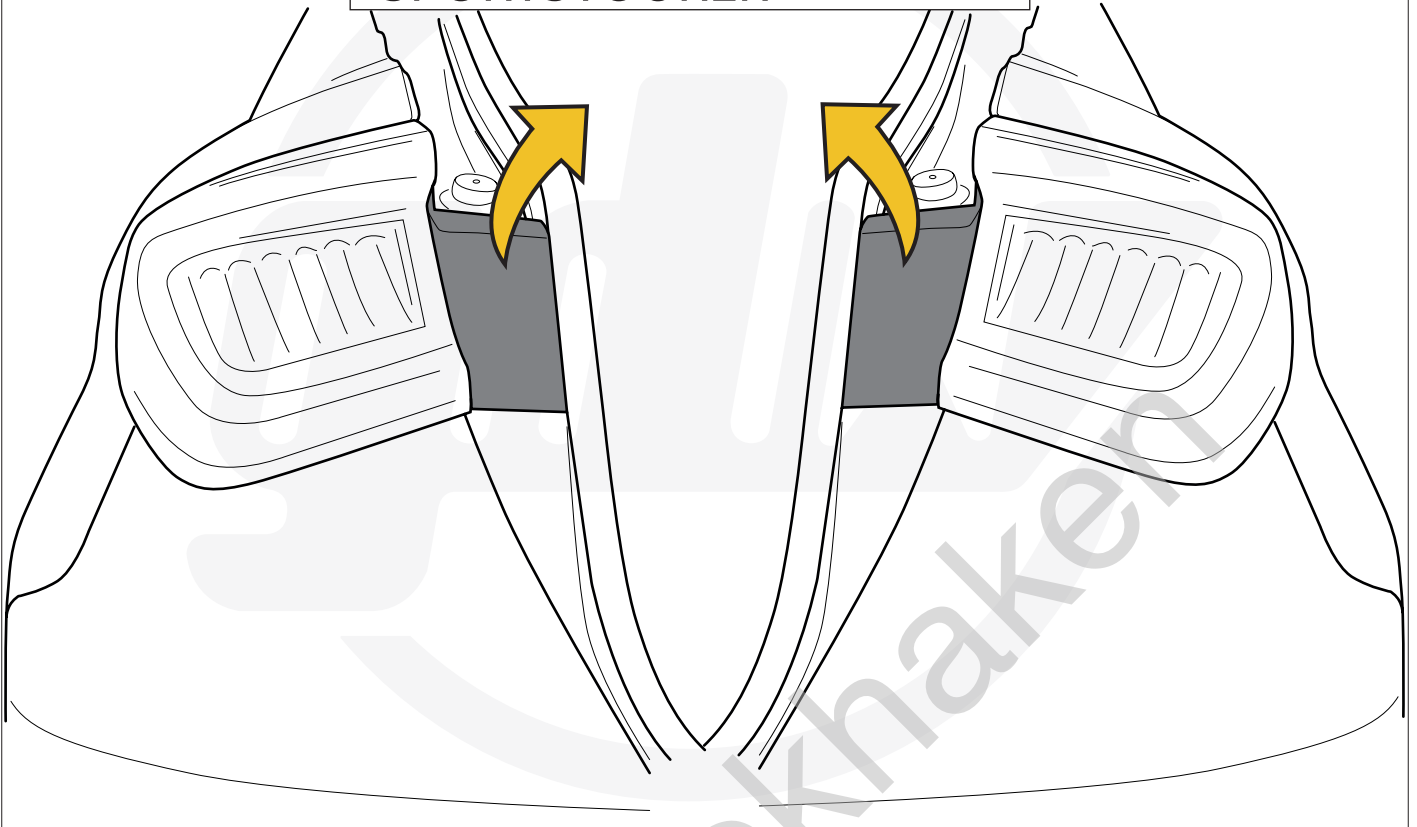




| | | | | |
|----|---|----|--|--|
| 1 |  | X1 | GDW REF. 2554160 | |
| 2 |  | X1 | GDW REF. 2 | |
| 3 |  | X1 | GDW REF. 3 | |
| 4 |  | X1 | GDW REF. 4 | |
| 5 |  | X1 | GDW REF. 5 | |
| 6 |  | X1 | GDW REF. 6 | |
| 7 |  | X1 | GDW REF. 7 | |
| 8 |  | X1 | GDW REF. 8 | |
| 9 |  | X4 | DIN9021-M10-ELVZ | |
| 10 |  | X8 | DIN128A-M10 | |
| 11 |  | X4 | DIN934-M10 | |
| 12 |  | X8 | DIN933-M10 X 35 | |
| 13 |  | X2 | DIN933-M6 X 20 | |
| 14 |  | X2 | DIN6923-M6 | |
| 15 |  | X4 | DIN125-A10-140HV-ELVZ | |
| |  | X1 | GDW REF. P46 | |
| |  | X1 | DIN985-M6 | |
| |  | X2 | 6,2 X 15,4 X 1,6 (NYLON) | |
| |  | X1 | GDW REF. 718.16.002 | |
| |  | X1 | GDW REF. 718.16.003 | |
| |  | X1 | GDW REF. 908.094 | |
| |  | X1 | DIN933-M6 X 30 | |
| |  | X1 | GDW REF. 908.101 | |
| |  | X1 | GDW REF. 960.V0406 | Geleverd met - Livré avec - Delivered with Gellefert mit - Elementos adjuntos-Leveres med |
| |  | X1 | GDW REF. 740.200 | |
| |  | X1 | GDW REF. 912.003 | |
| |  | X1 | GDW REF. 740.112 | |
| |  | X1 | GDW REF. 740.111 | |
| |  | X1 | GDW REF. 740.12X X= LAST NUMBER ON KEY | |
| |  | X1 | GDW REF. 718.15.001 | |
| |  | X1 | GDW REF. SYST60-10 | |
| |  | X3 | DIN931-M12X110-8.8 | |
| |  | X3 | DIN128A-M12 | |
| |  | X6 | DIN125A-M12 | |
| |  | X3 | DIN934-M12 | |

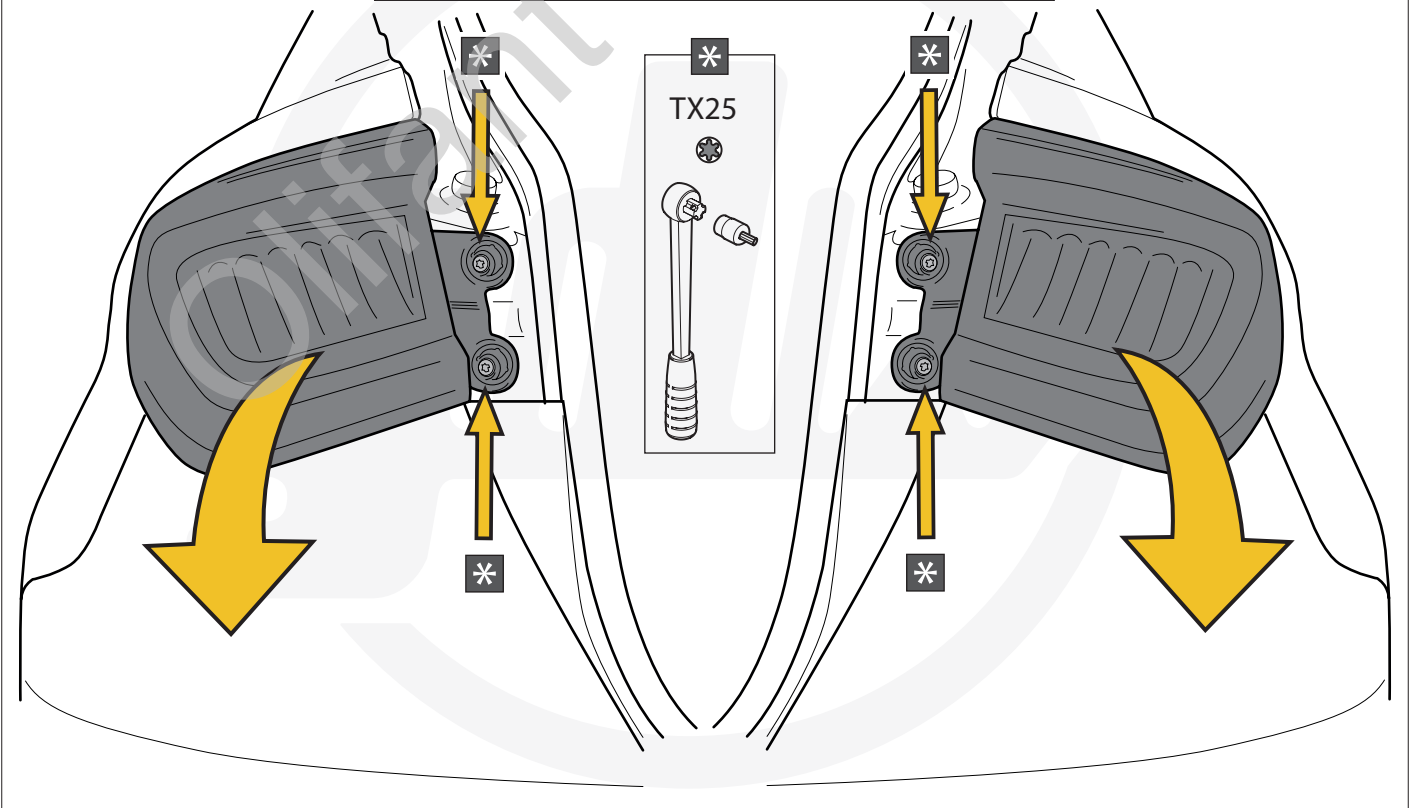
1

SEAT LEON HATCHBACK & SPORTSTOURER

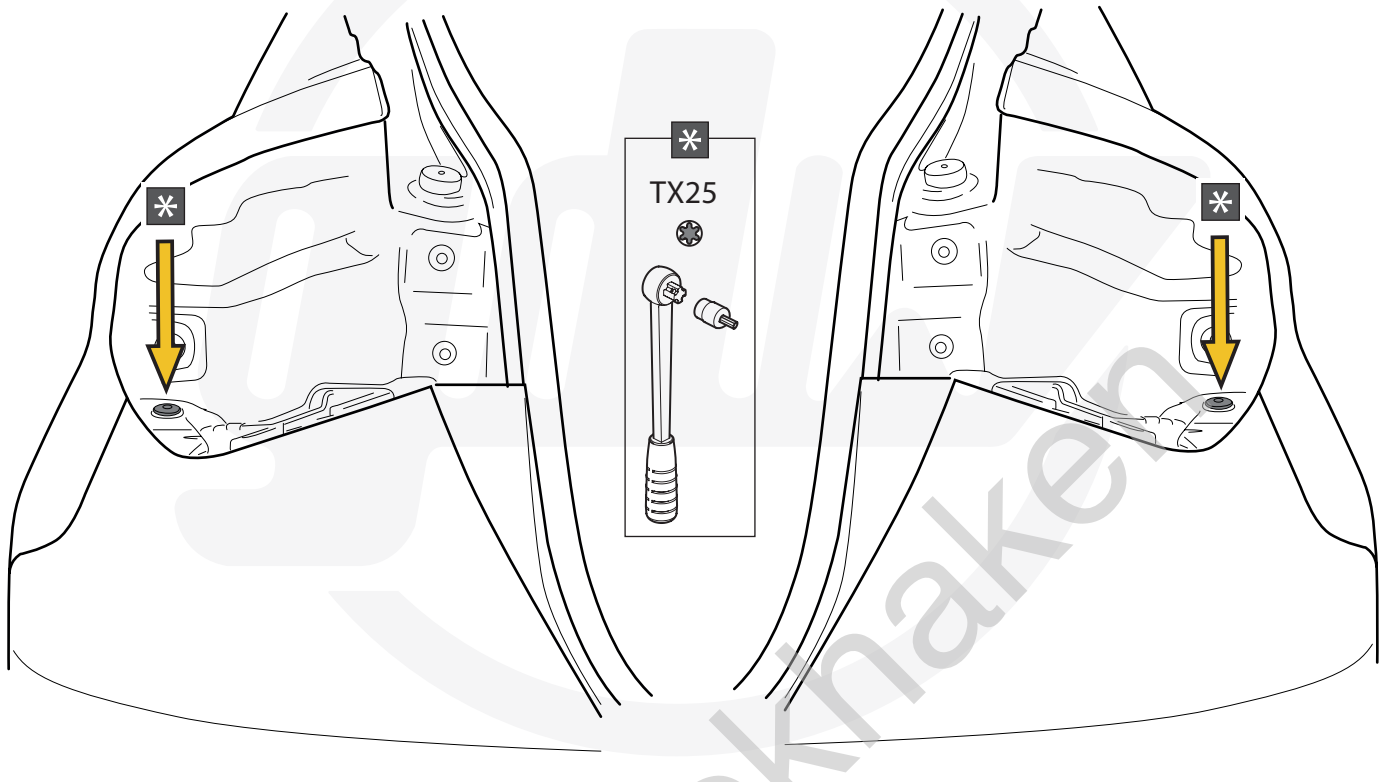


2

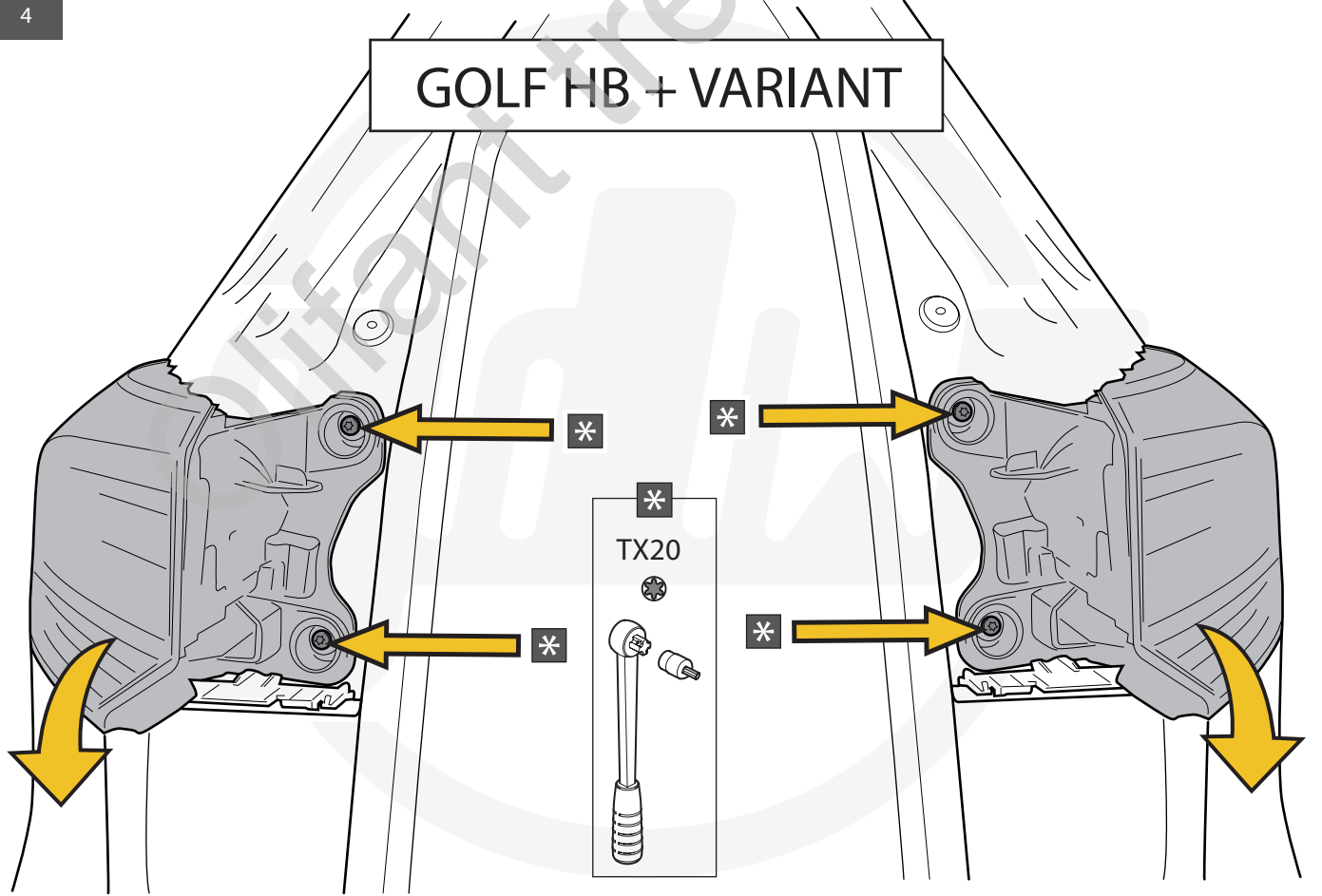
SEAT LEON HATCHBACK & SPORTSTOURER



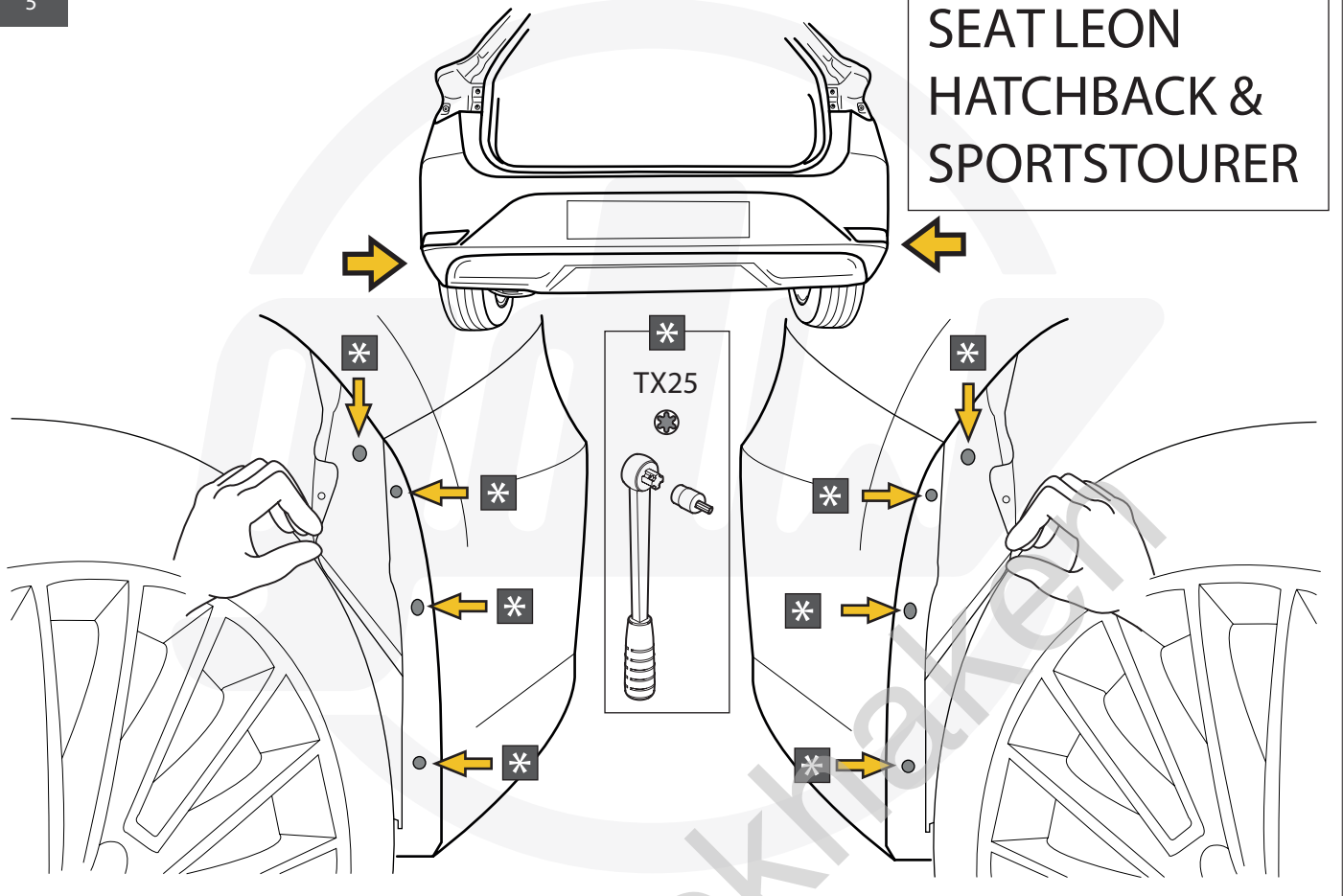
SEAT LEON HATCHBACK & SPORTSTOURER



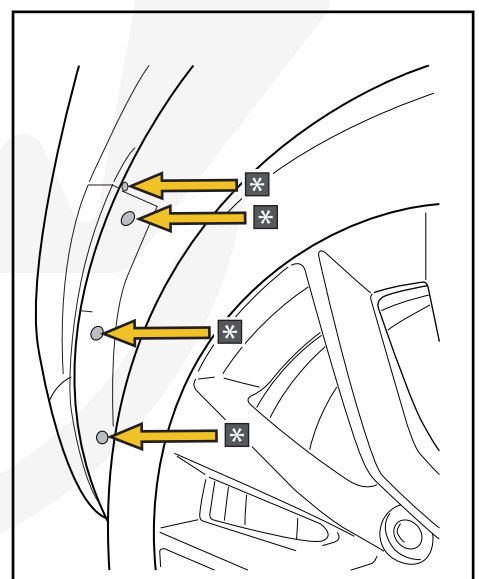
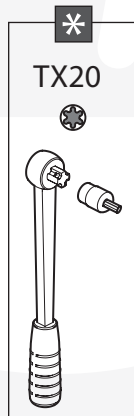
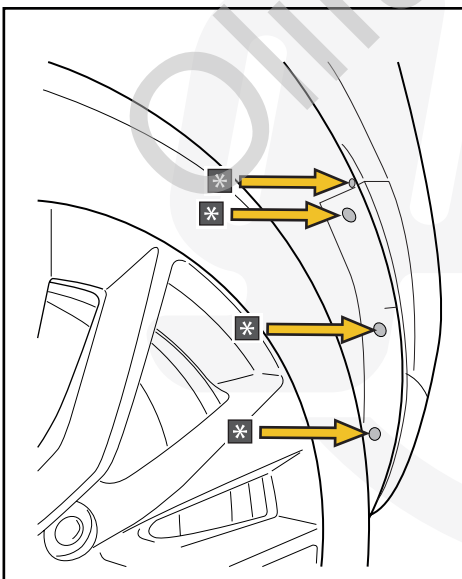
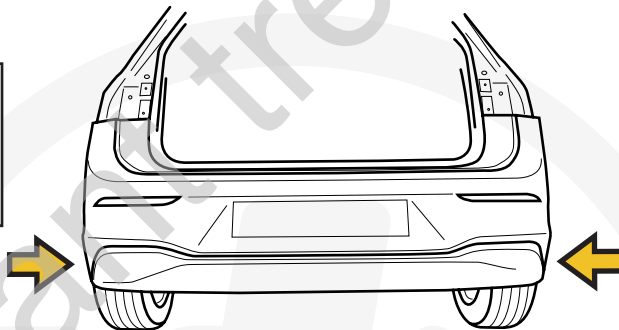
GOLF HB + VARIANT

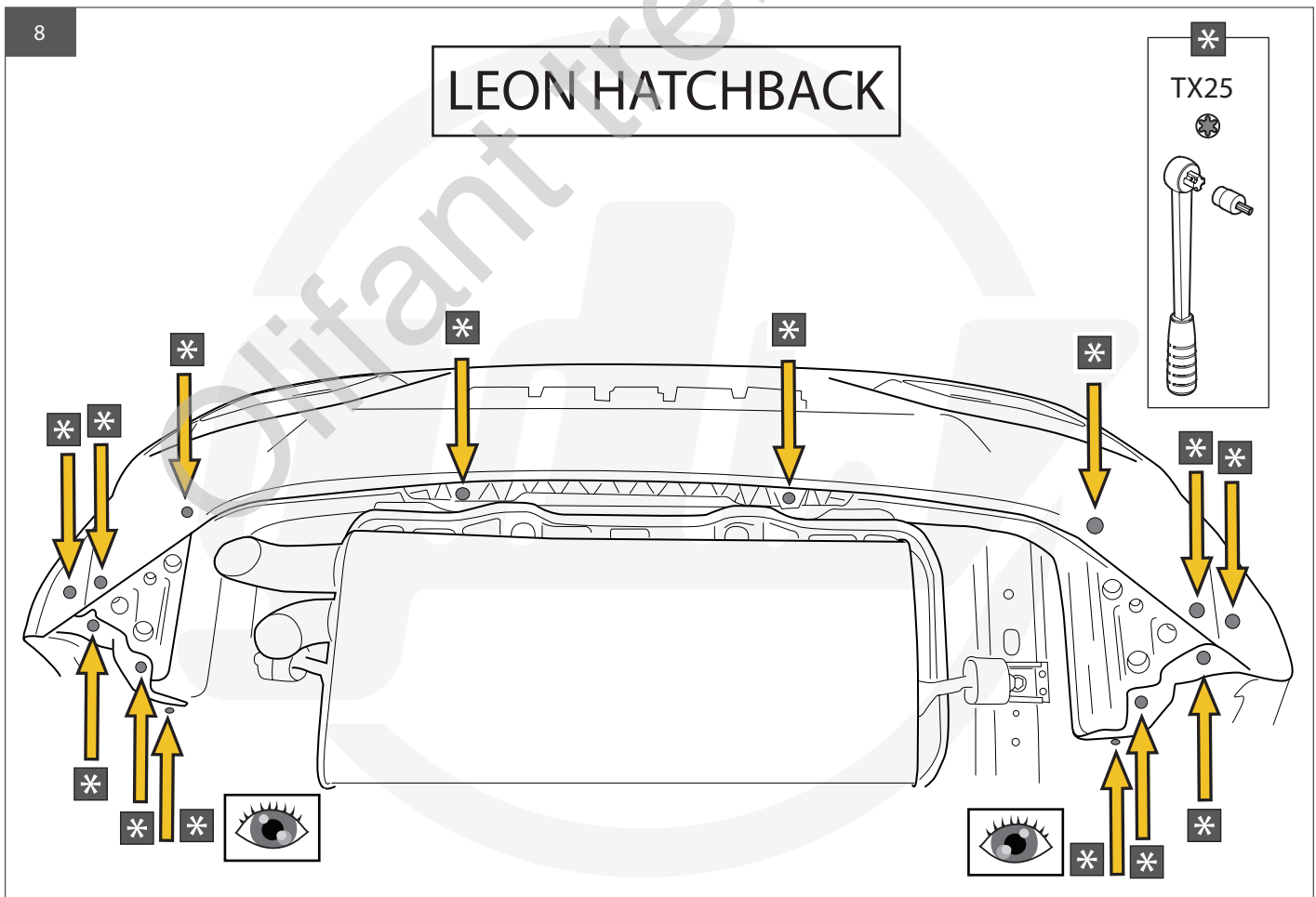
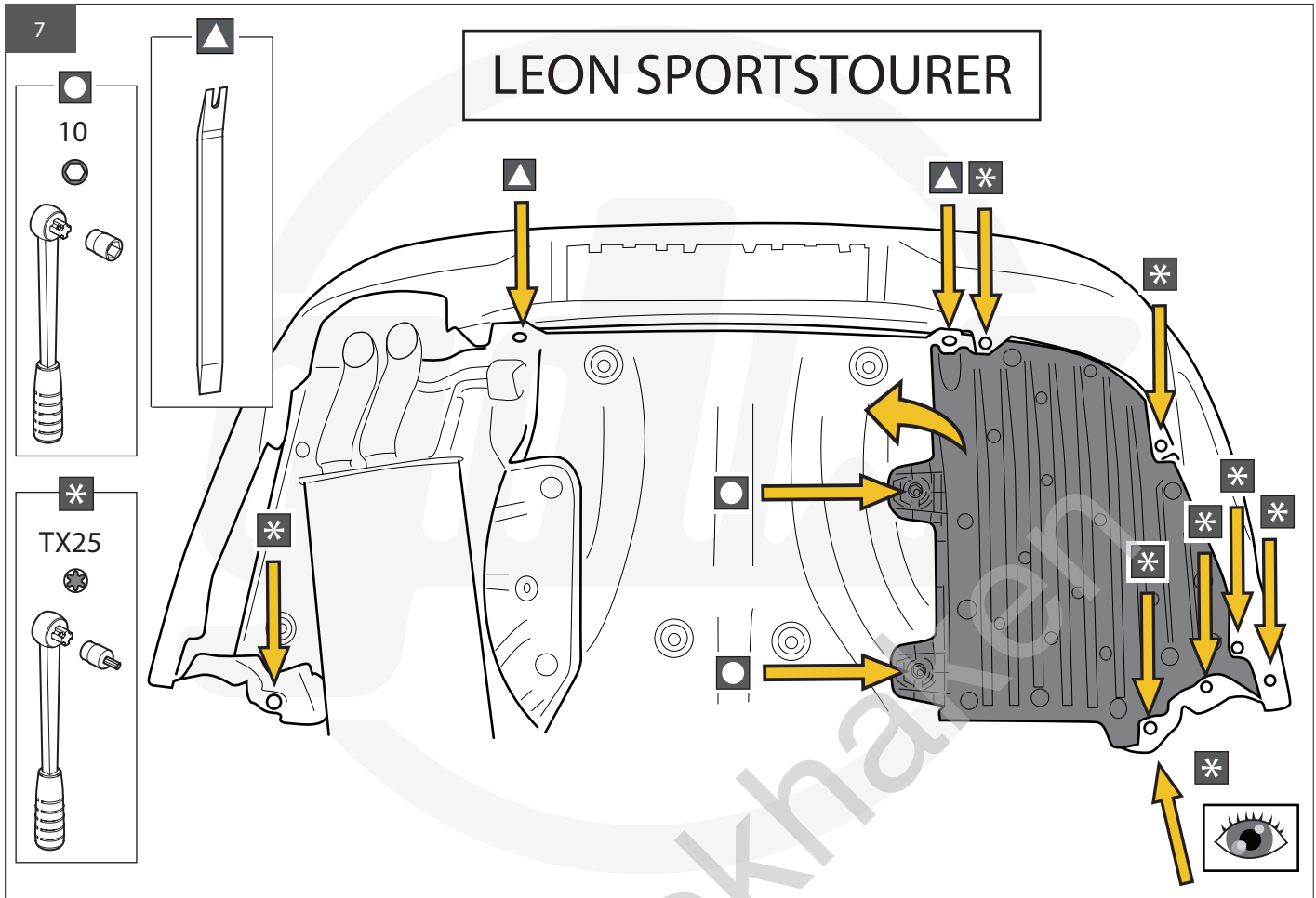


SEAT LEON
HATCHBACK &
SPORTSTOURER



GOLF HB +
VARIANT

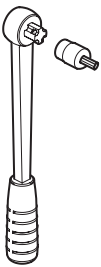




9

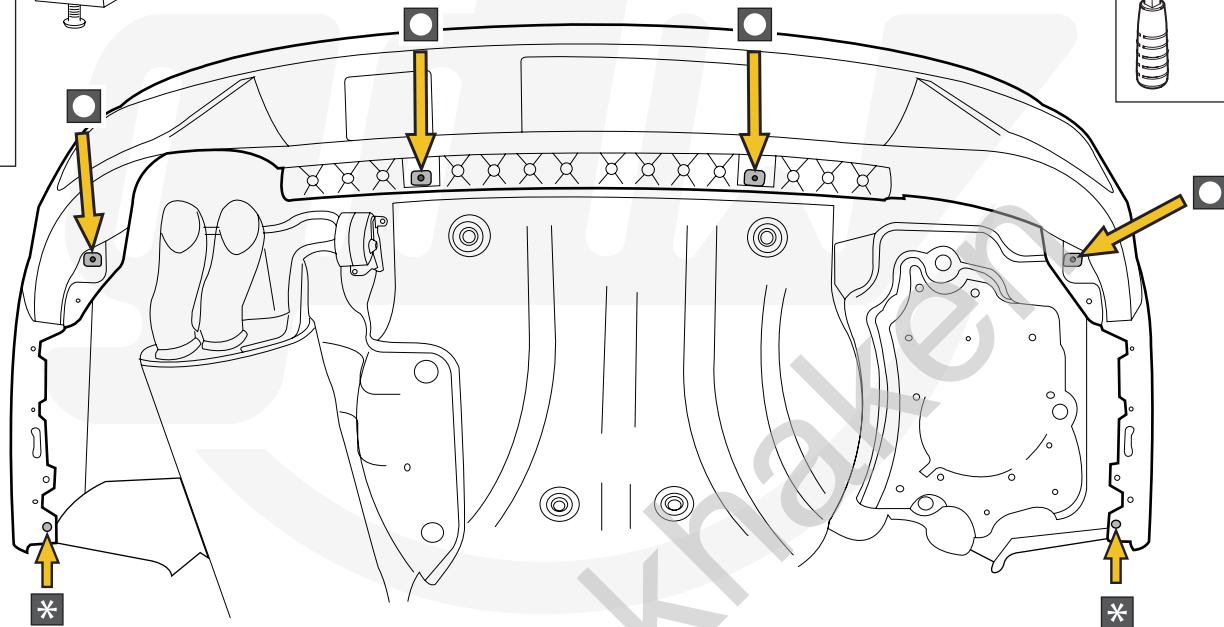
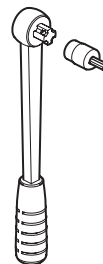
GOLF VARIANT

TX15



*

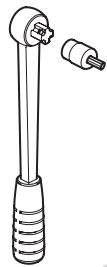
TX25



10

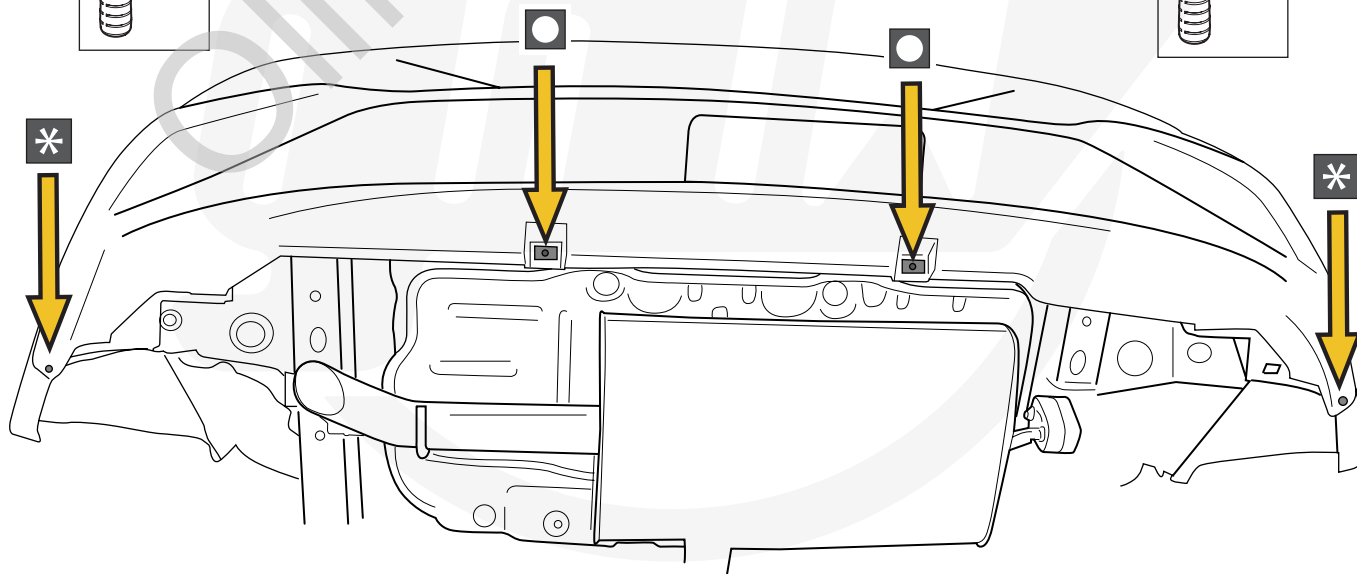
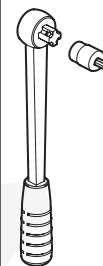
GOLF HB

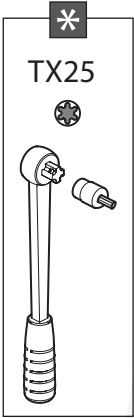
TX15



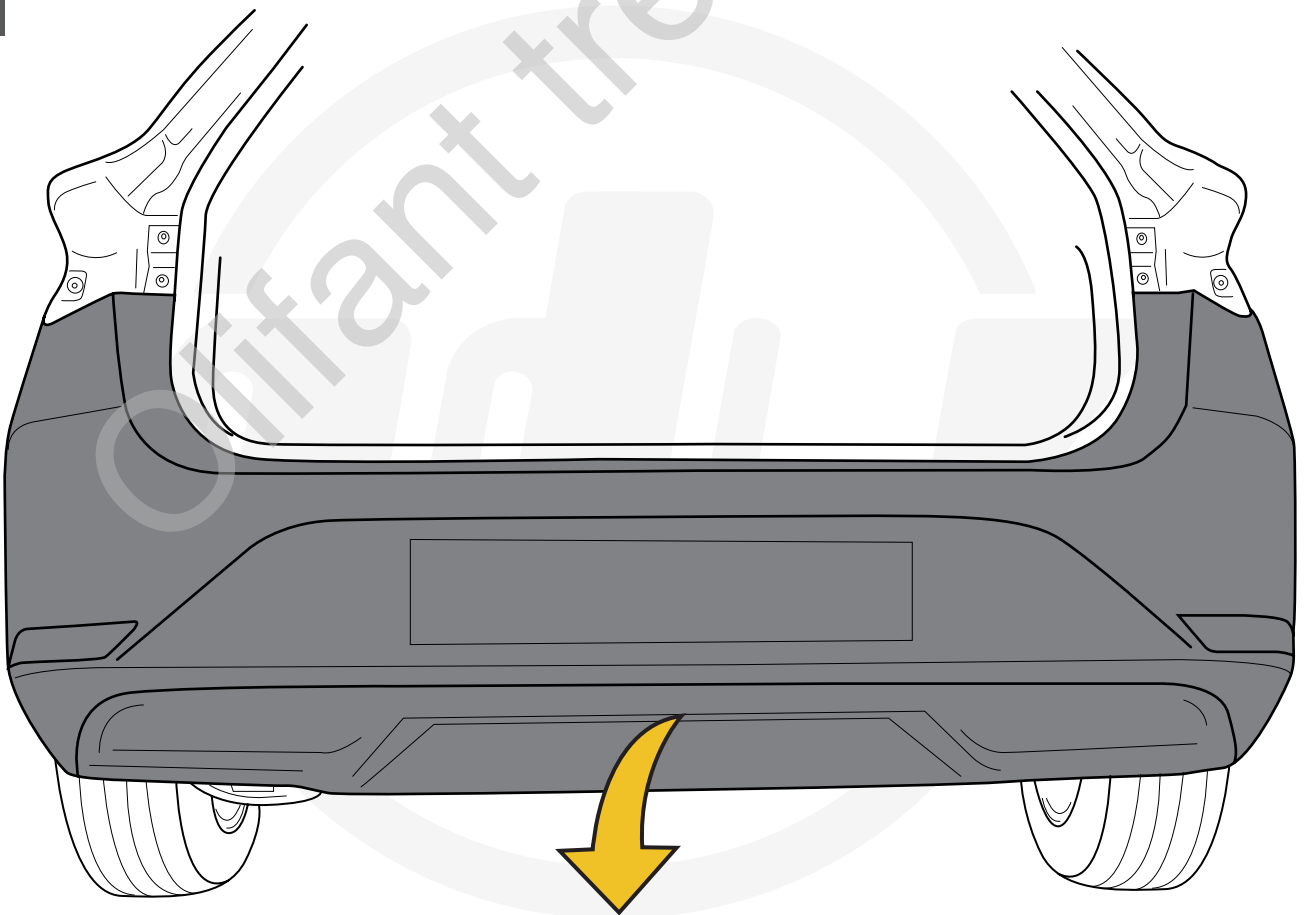
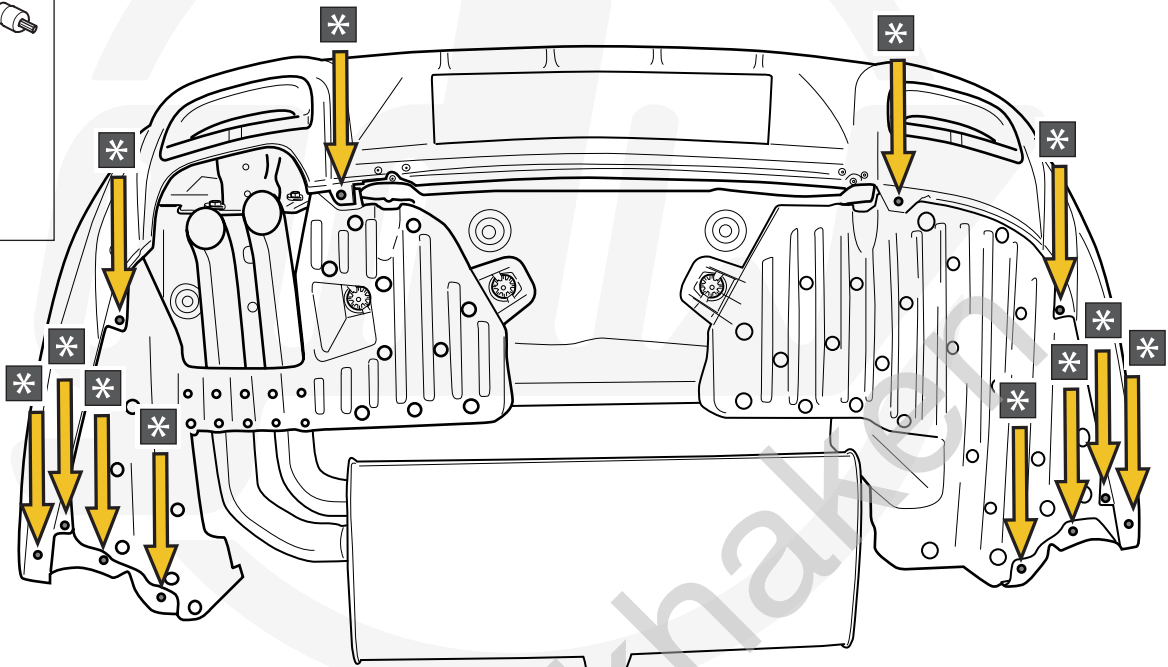
*

TX20

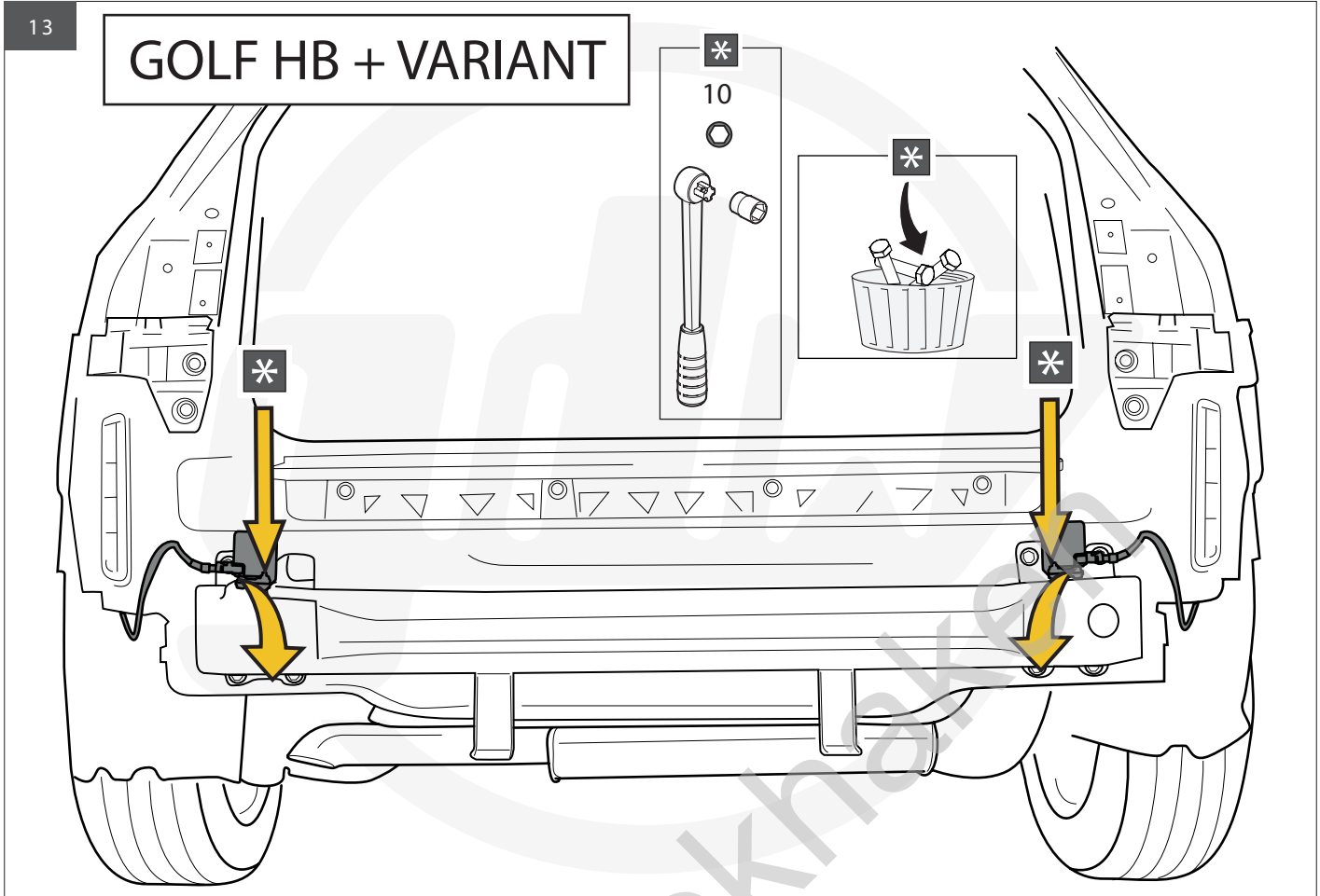




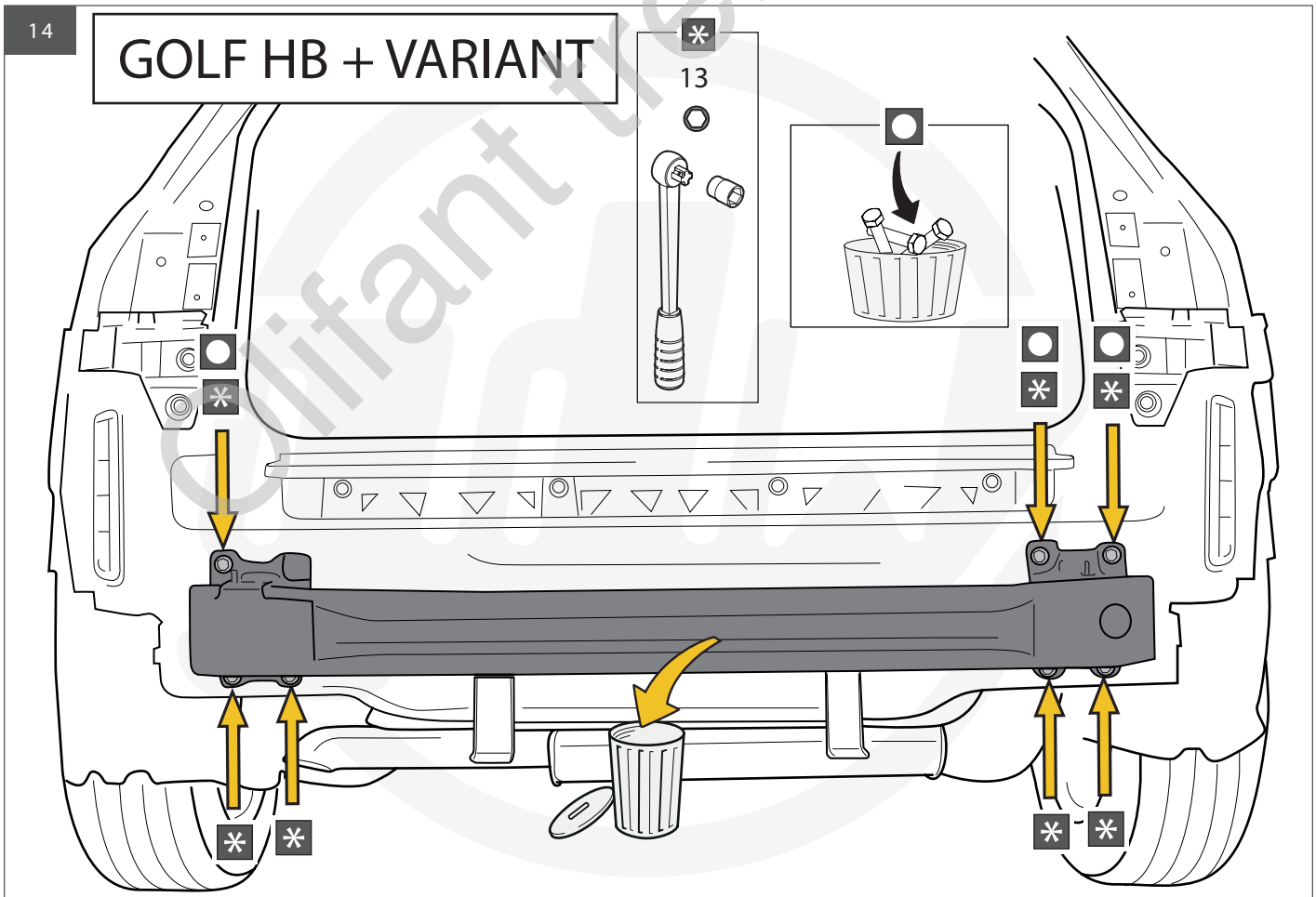
ONLY CUPRA SPORTSTOURER



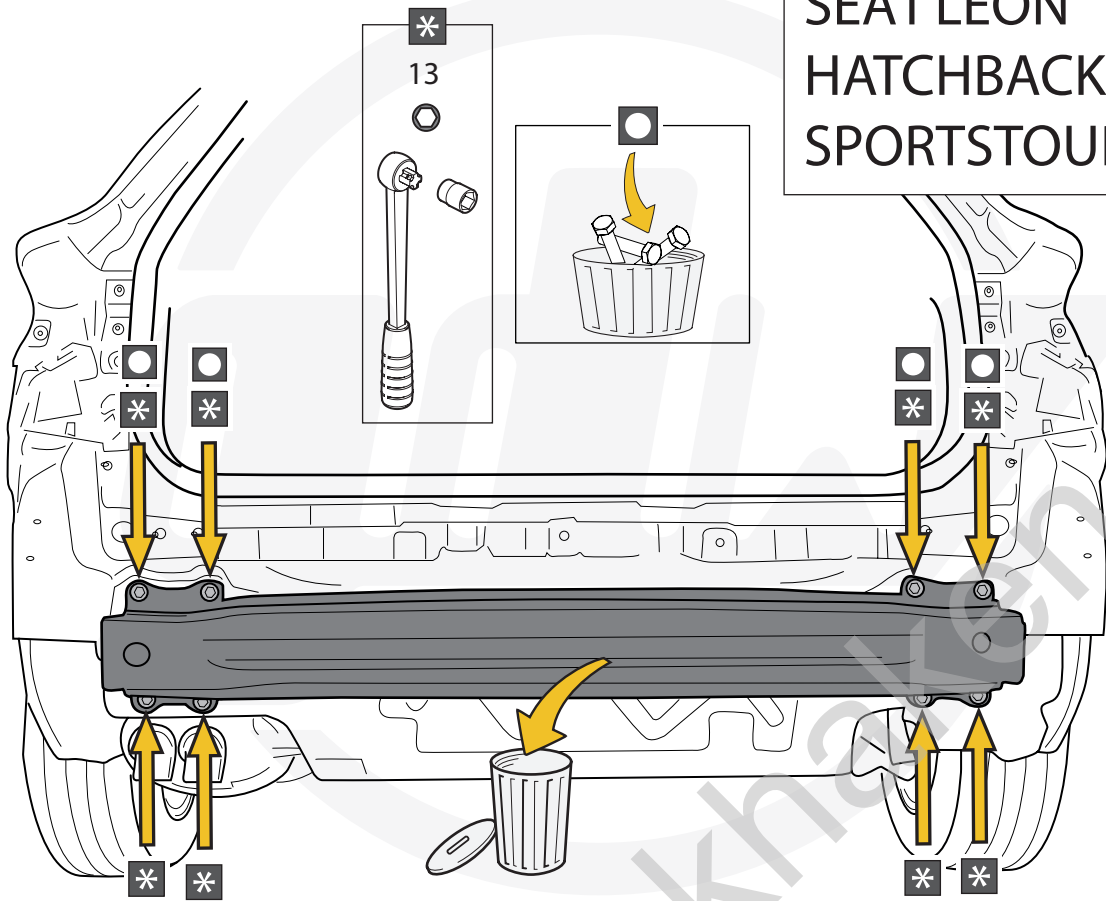
GOLF HB + VARIANT



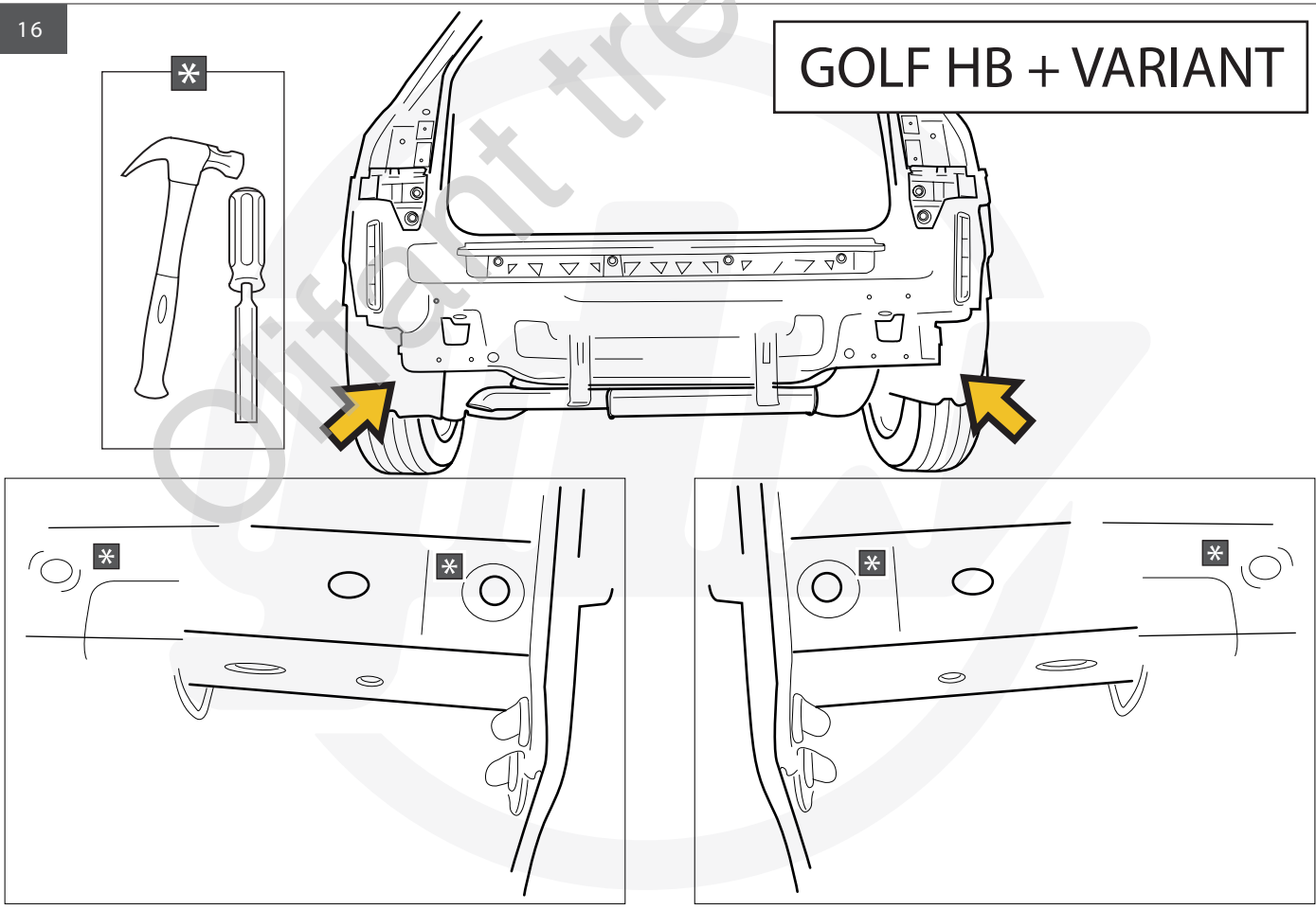
GOLF HB + VARIANT



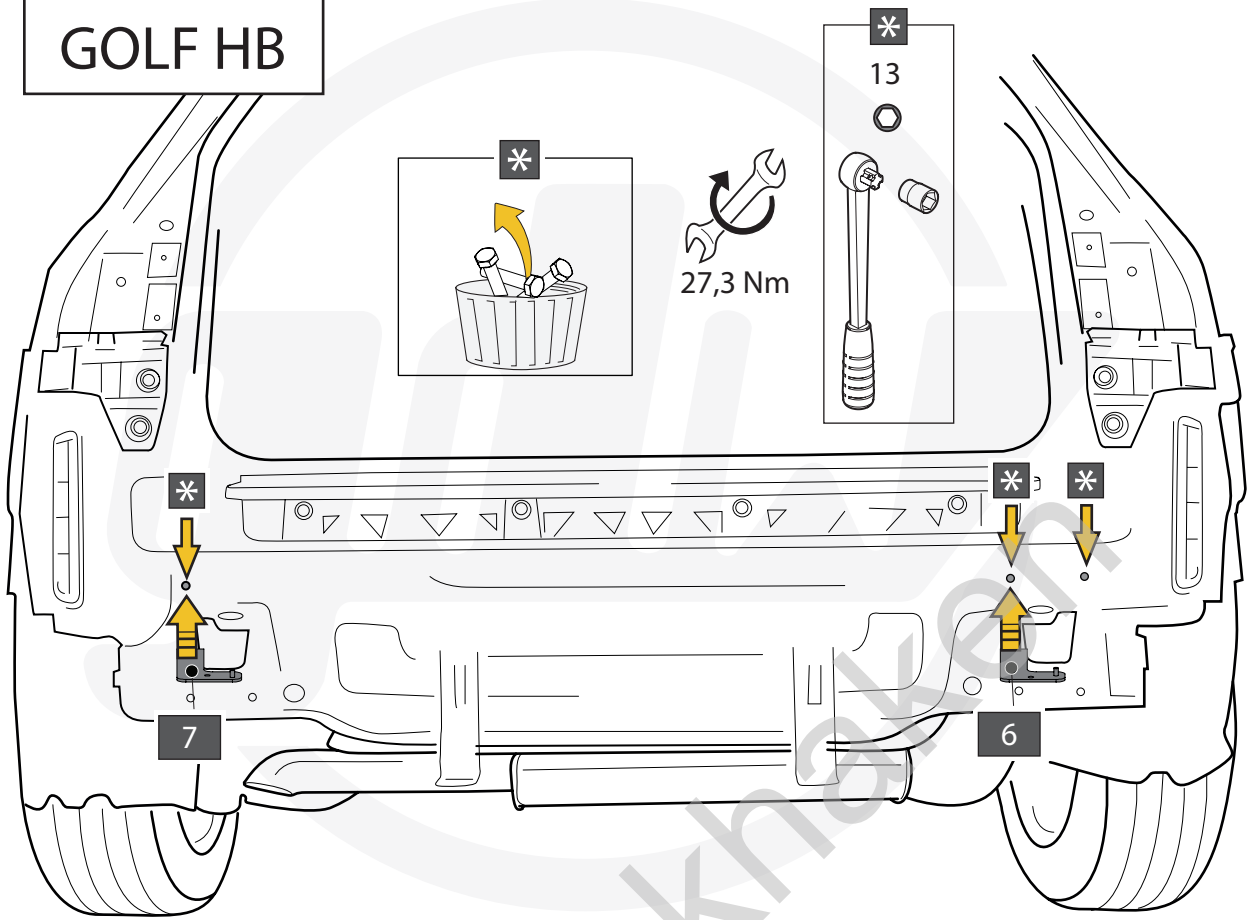
SEAT LEON HATCHBACK & SPORTSTOURER



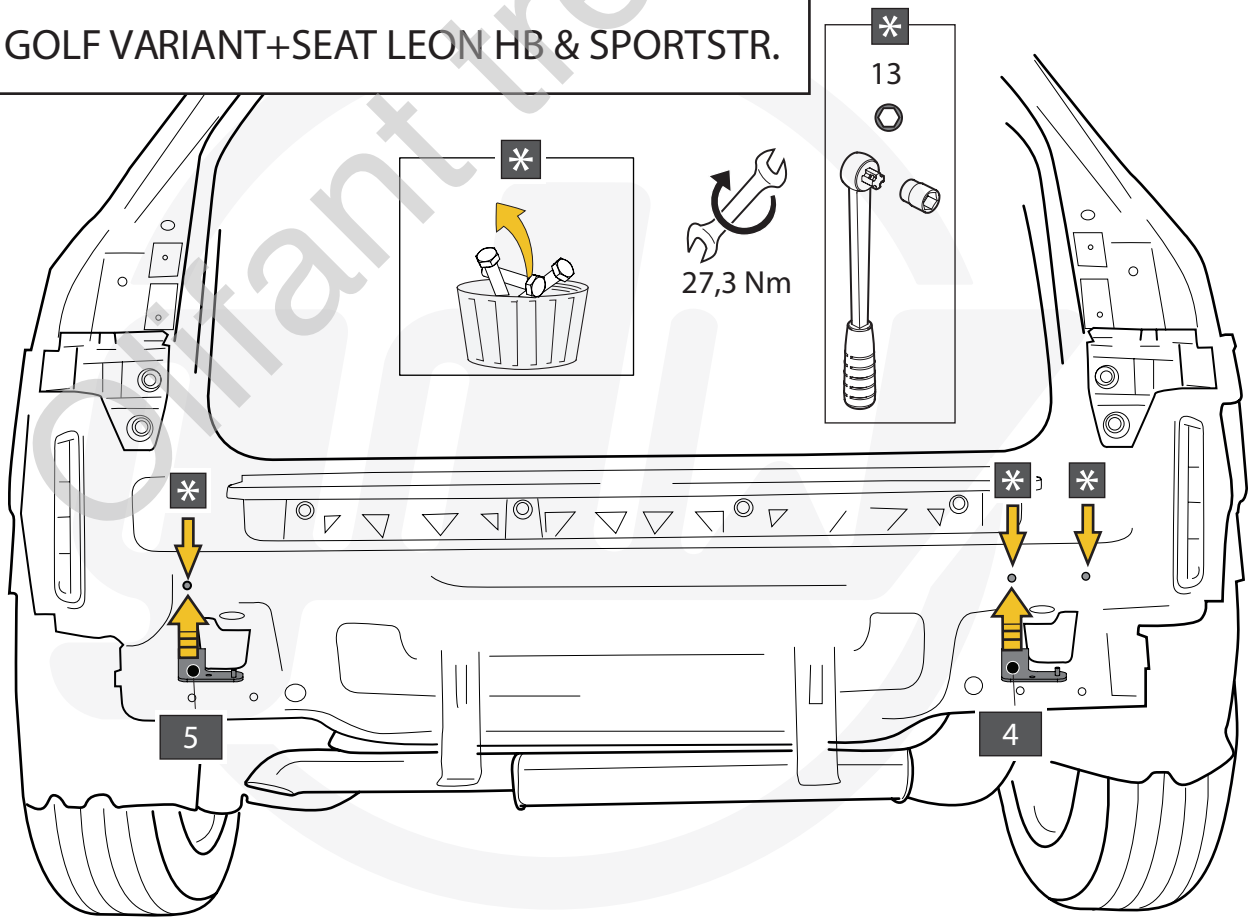
GOLF HB + VARIANT



GOLF HB

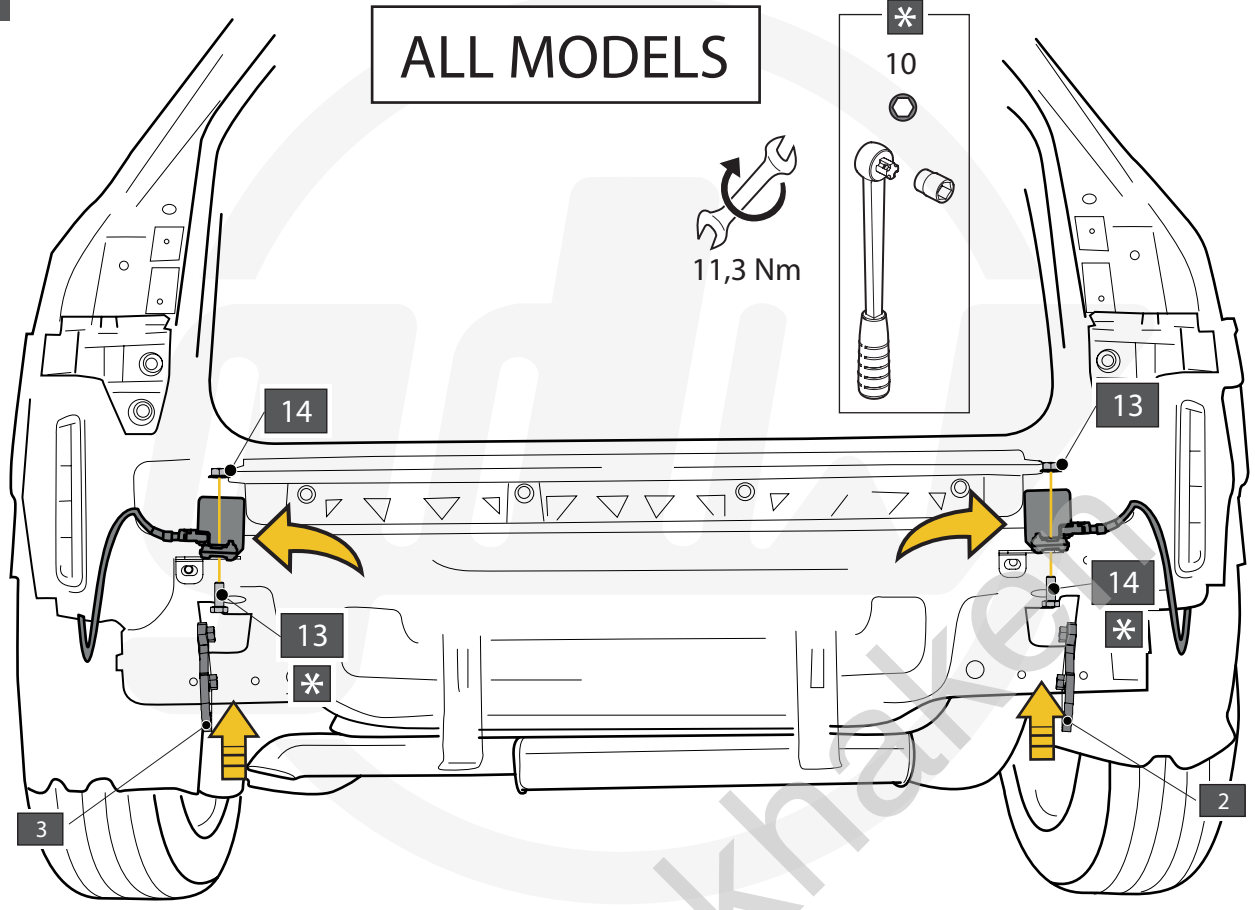
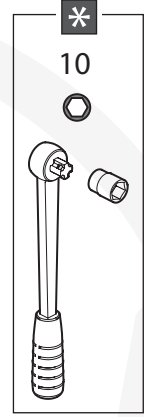


GOLF VARIANT+SEAT LEON HB & SPORTSTR.

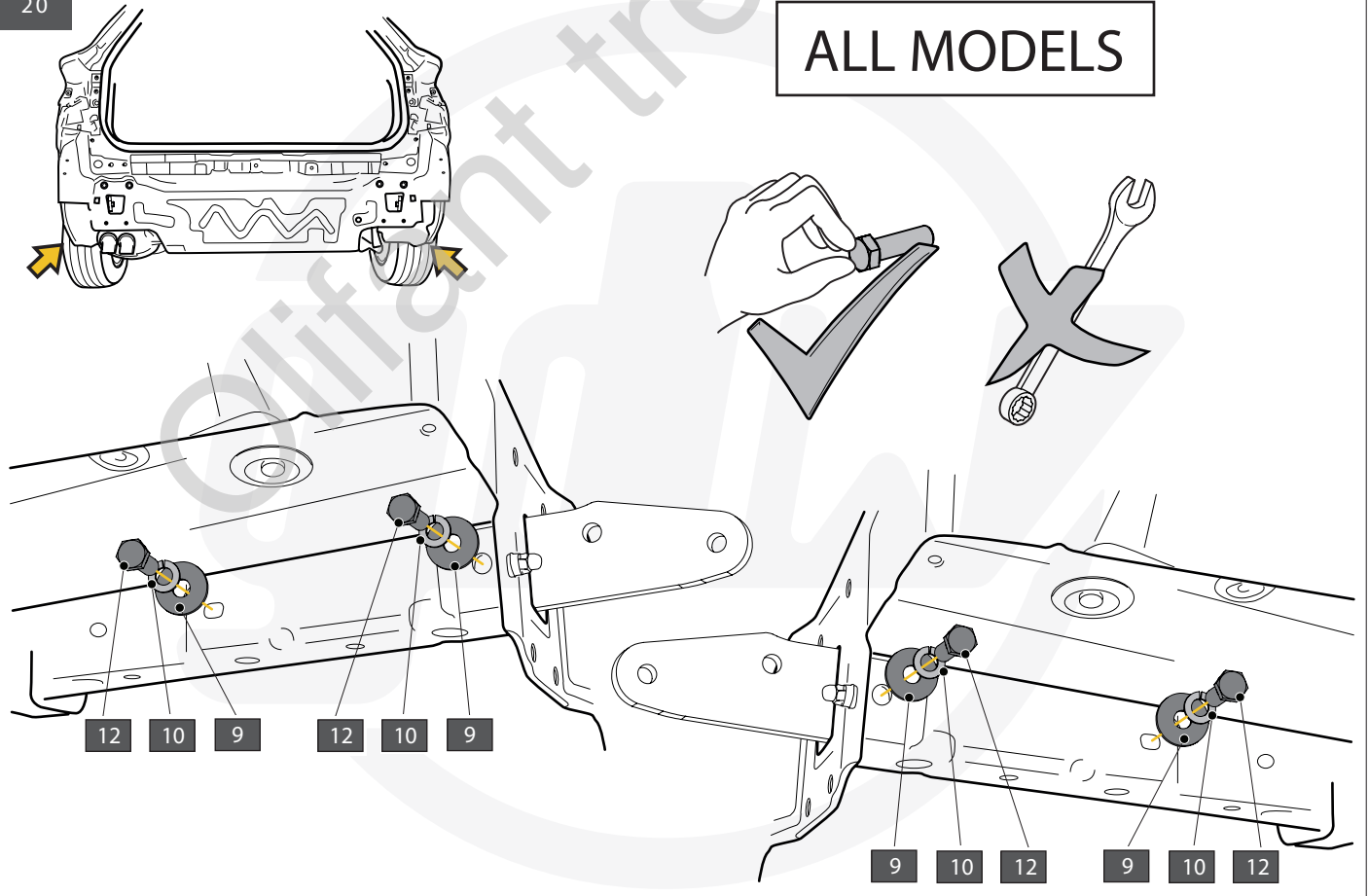
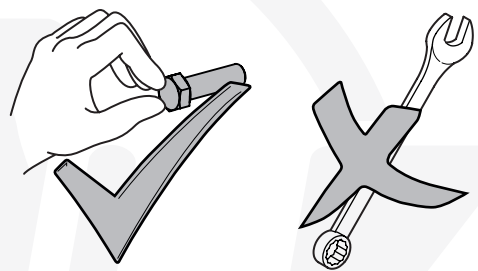


ALL MODELS

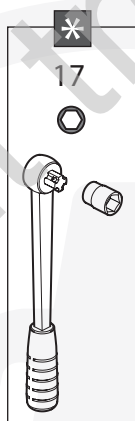
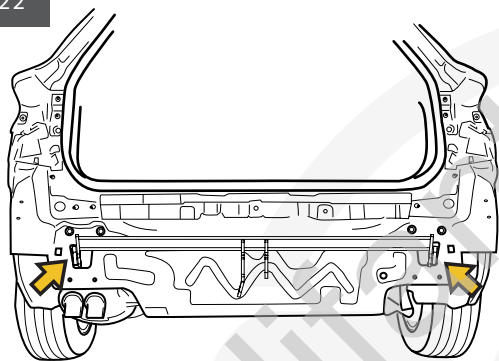
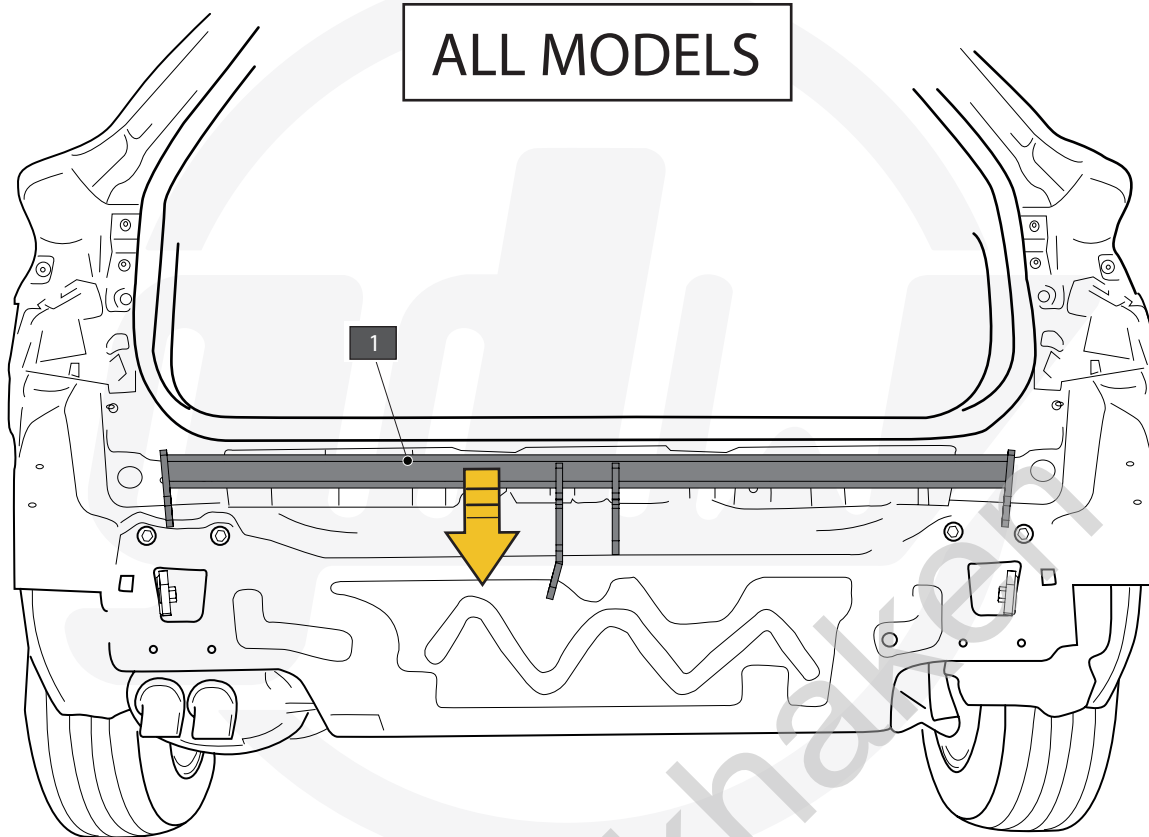
11,3 Nm



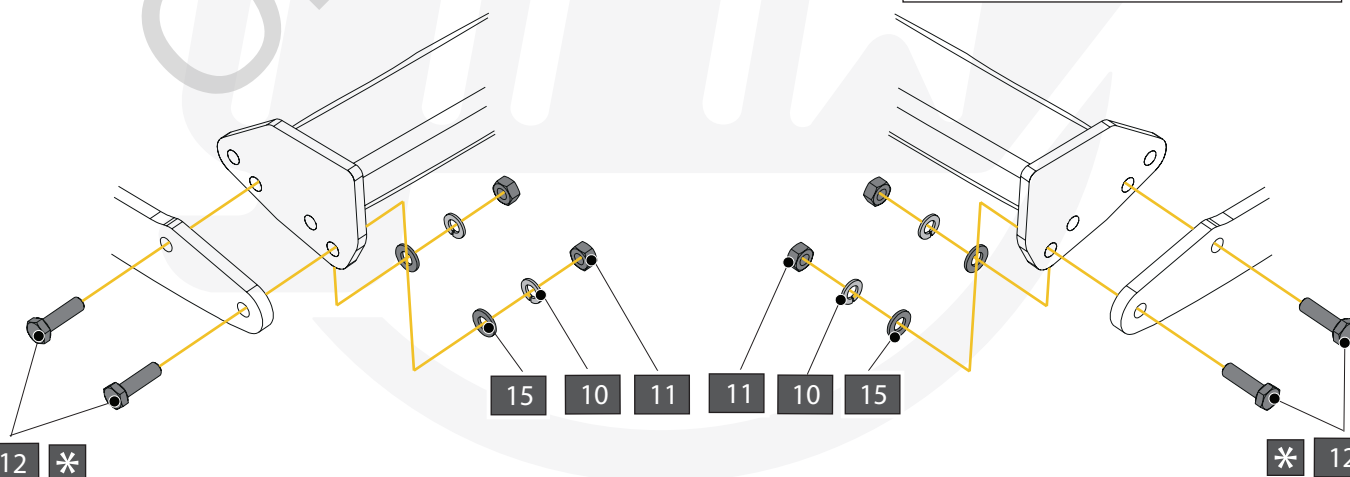
ALL MODELS

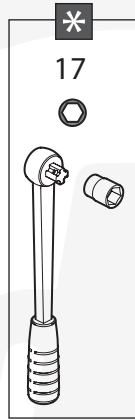
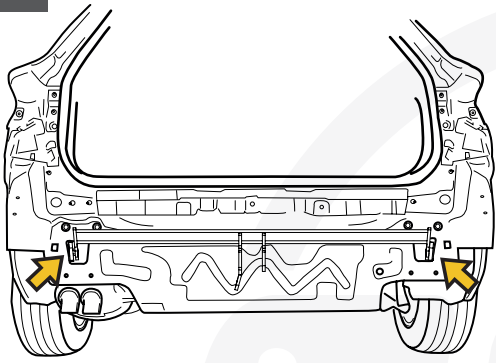


ALL MODELS

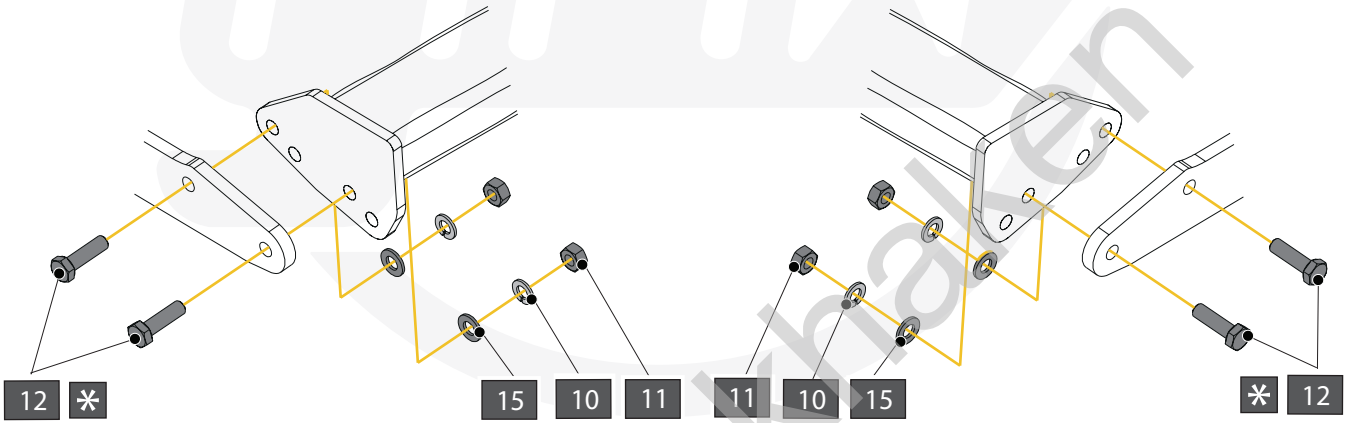
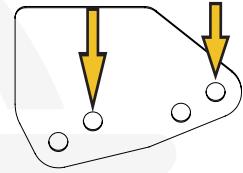


SEAT LEON
HATCHBACK &
SPORTSTOURER

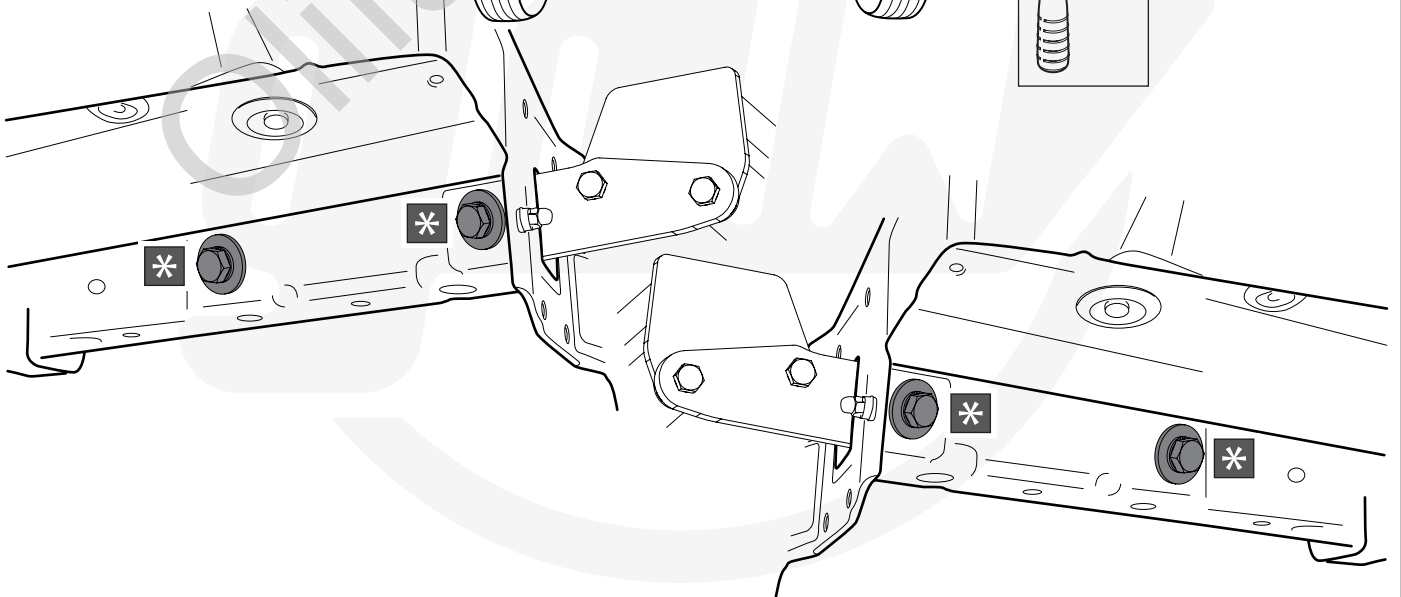
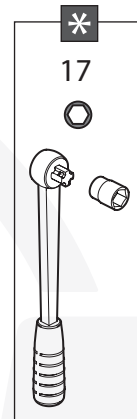
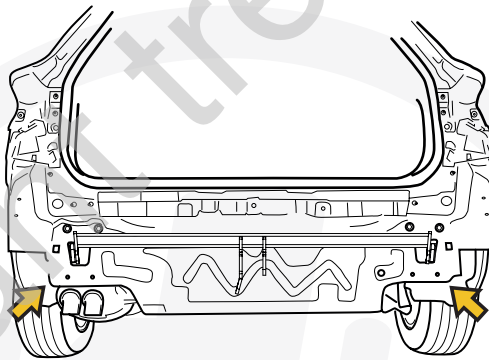




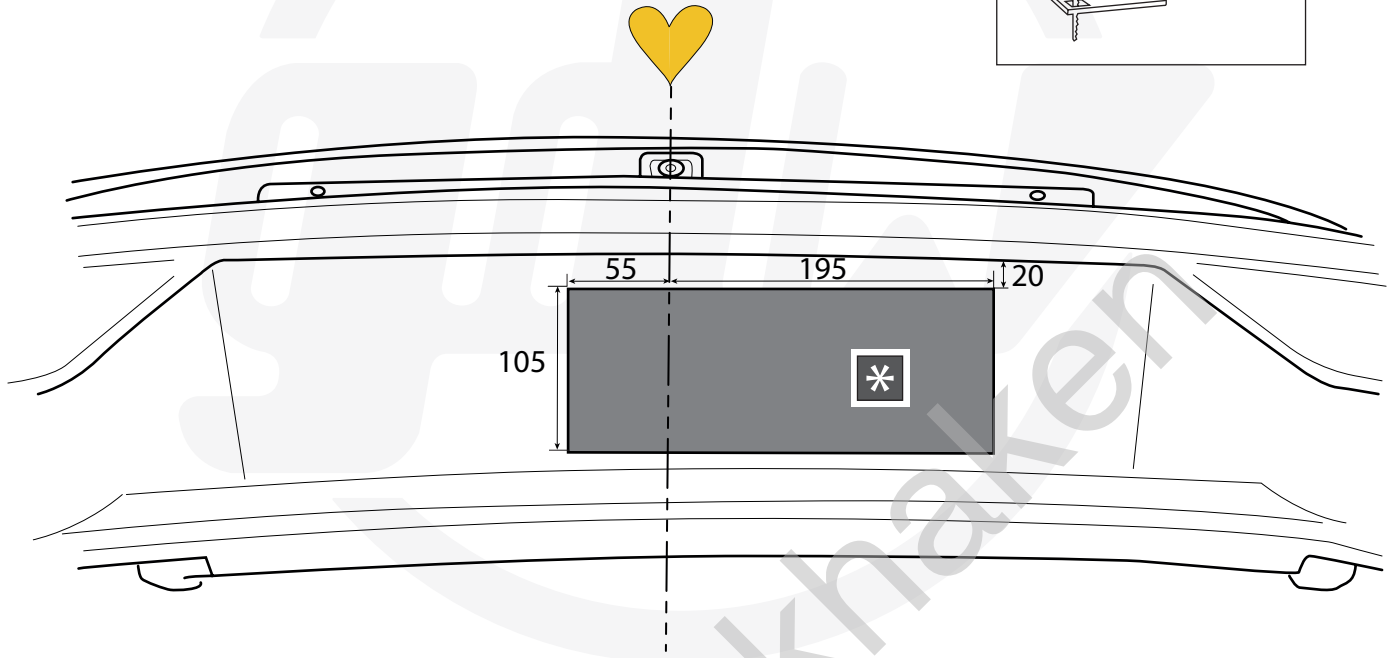
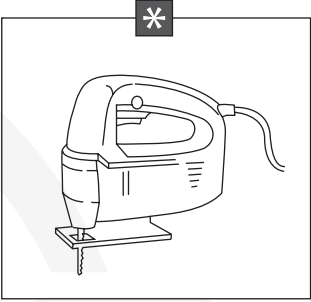
GOLF HB+
GOLF VARIANT



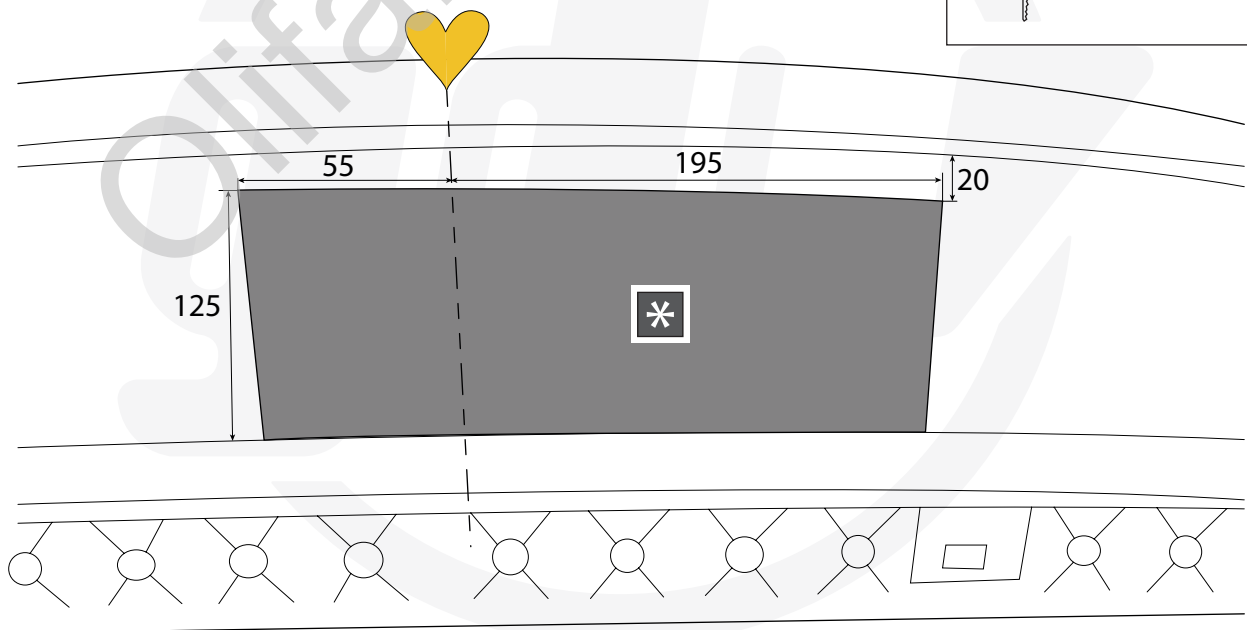
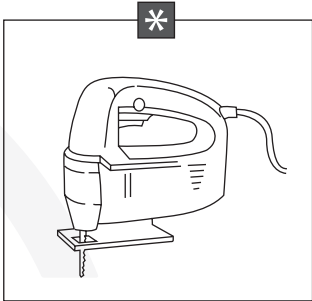
ALL MODELS



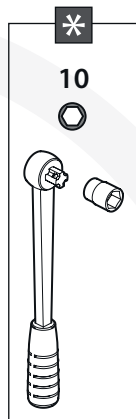
SEAT LEON HATCHBACK & SPORTSTOURER



GOLF HB + GOLF VARIANT

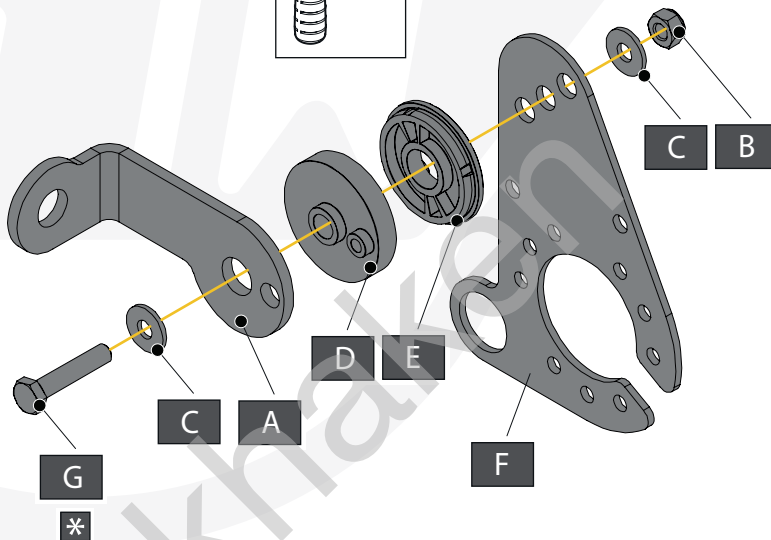


SEAT LEON HATCHBACK & SPORTSTOURER + GOLF VARIANT

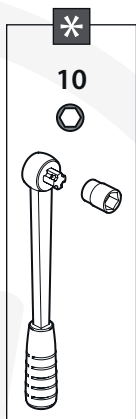


2,0 Nm

| | | | |
|---|--|----|---------------------------|
| A | | X1 | GDW REF. 908.101 |
| B | | X1 | DIN985-M6 |
| C | | X2 | Ø15,4 X 6,2 X 1,6 (NYLON) |
| D | | X1 | GDW REF. 718.16.002 |
| E | | X1 | GDW REF. 718.16.003 |
| F | | X1 | GDW REF. 908.094 |
| G | | X1 | DIN933-M6 X 30 |

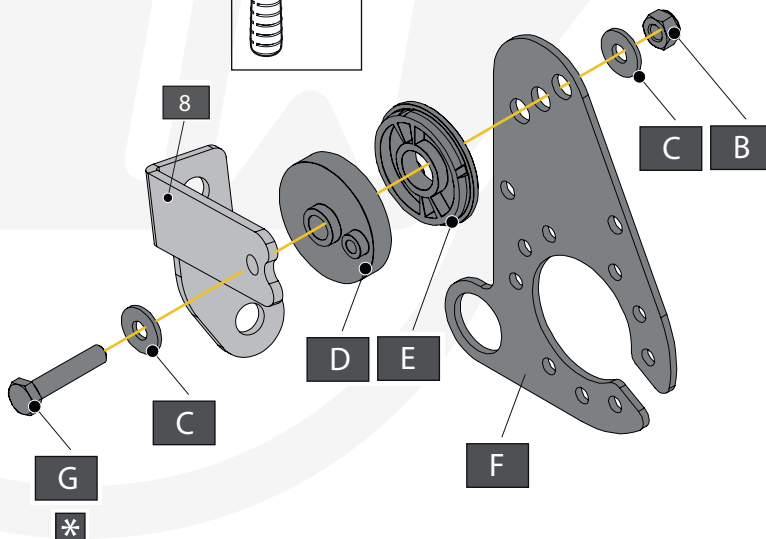


GOLF HB

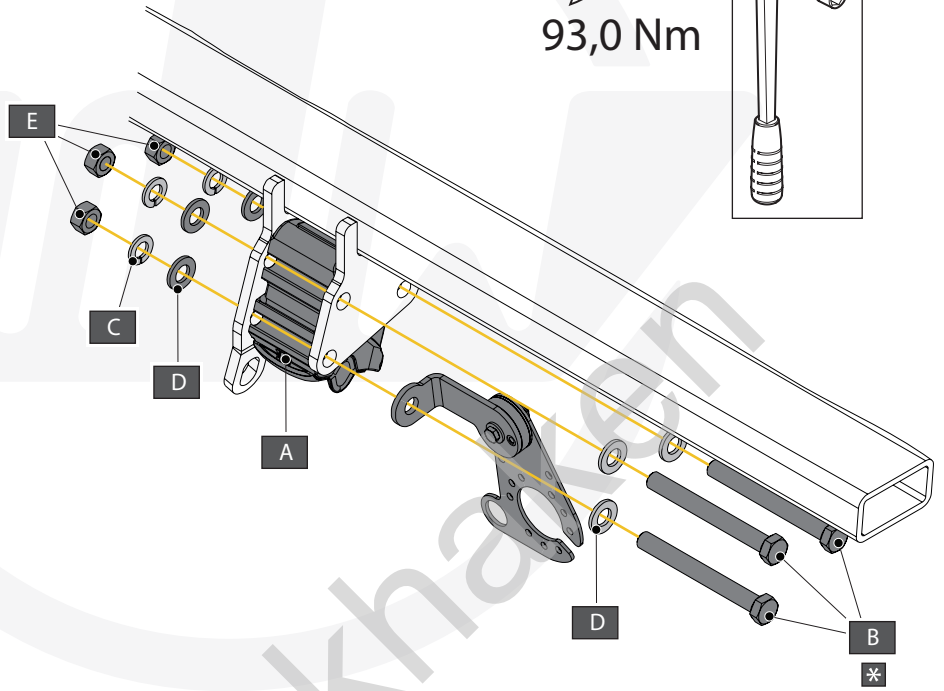
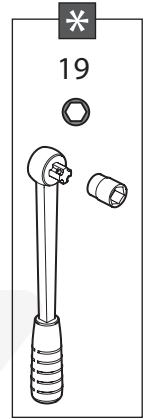
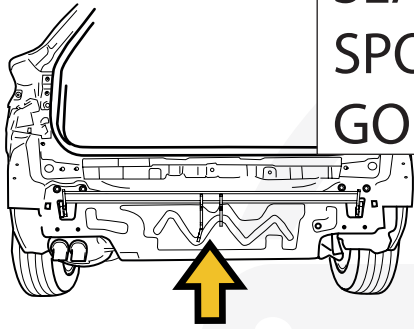


2,0 Nm

| | | | |
|---|--|----|---------------------------|
| B | | X1 | DIN985-M6 |
| C | | X2 | Ø15,4 X 6,2 X 1,6 (NYLON) |
| D | | X1 | GDW REF. 718.16.002 |
| E | | X1 | GDW REF. 718.16.003 |
| F | | X1 | GDW REF. 908.094 |
| G | | X1 | DIN933-M6 X 30 |

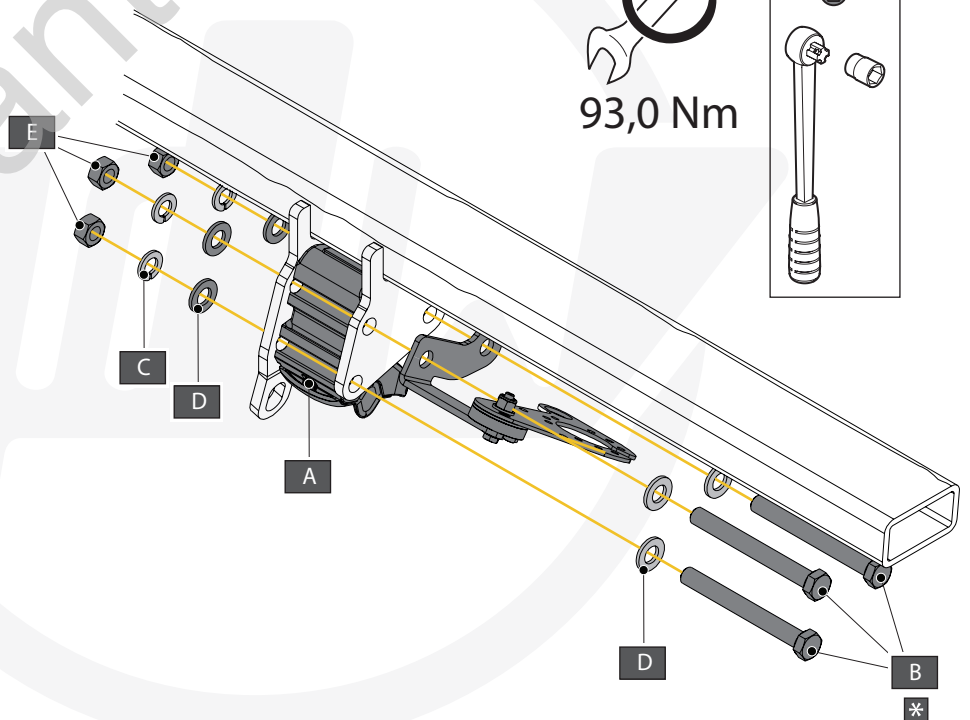
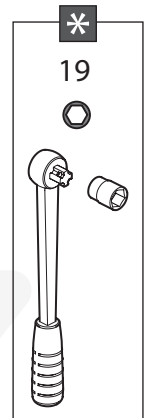
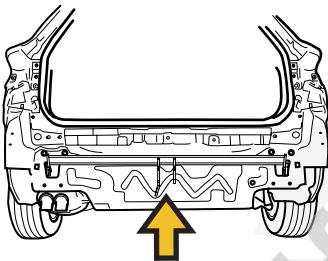


SEAT LEON HATCHBACK & SPORTSTOURER + GOLF VARIANT



| | | | |
|---|--|----|----------------|
| A | | X1 | 912.003 |
| B | | X3 | DIN931-M12X110 |
| C | | X3 | DIN128A-M12 |
| D | | X6 | DIN125A-M12 |
| E | | X3 | DIN934-M12 |

GOLF HB



| | | | |
|---|--|----|----------------|
| A | | X1 | 912.003 |
| B | | X3 | DIN931-M12X110 |
| C | | X3 | DIN128A-M12 |
| D | | X6 | DIN125A-M12 |
| E | | X3 | DIN934-M12 |

