



TREKHAKEN • ATTELAGES • ANHÄNGERVORRICHTUNGEN • TOWBARS • ENHANCES • ANHÆNGERTRÆK

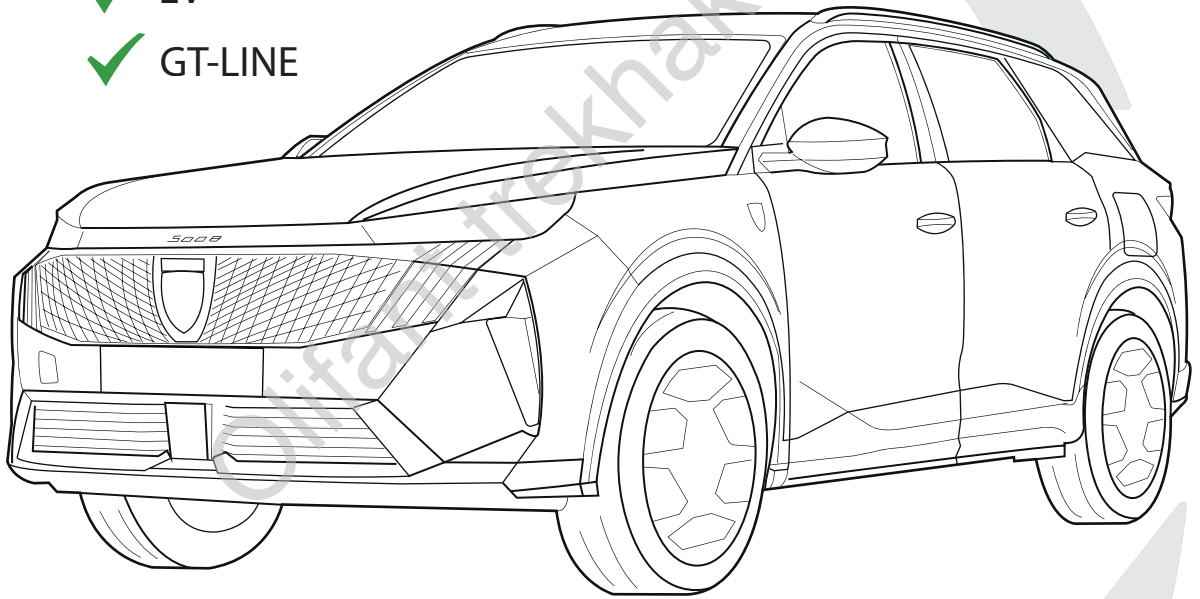
Montagehandleiding | instructions de montage | Einbauanleitung | Mounting instruction
Instrucciones de montaje | monteringsvejledning



Peugeot 5008 III (KA, KB, KC)

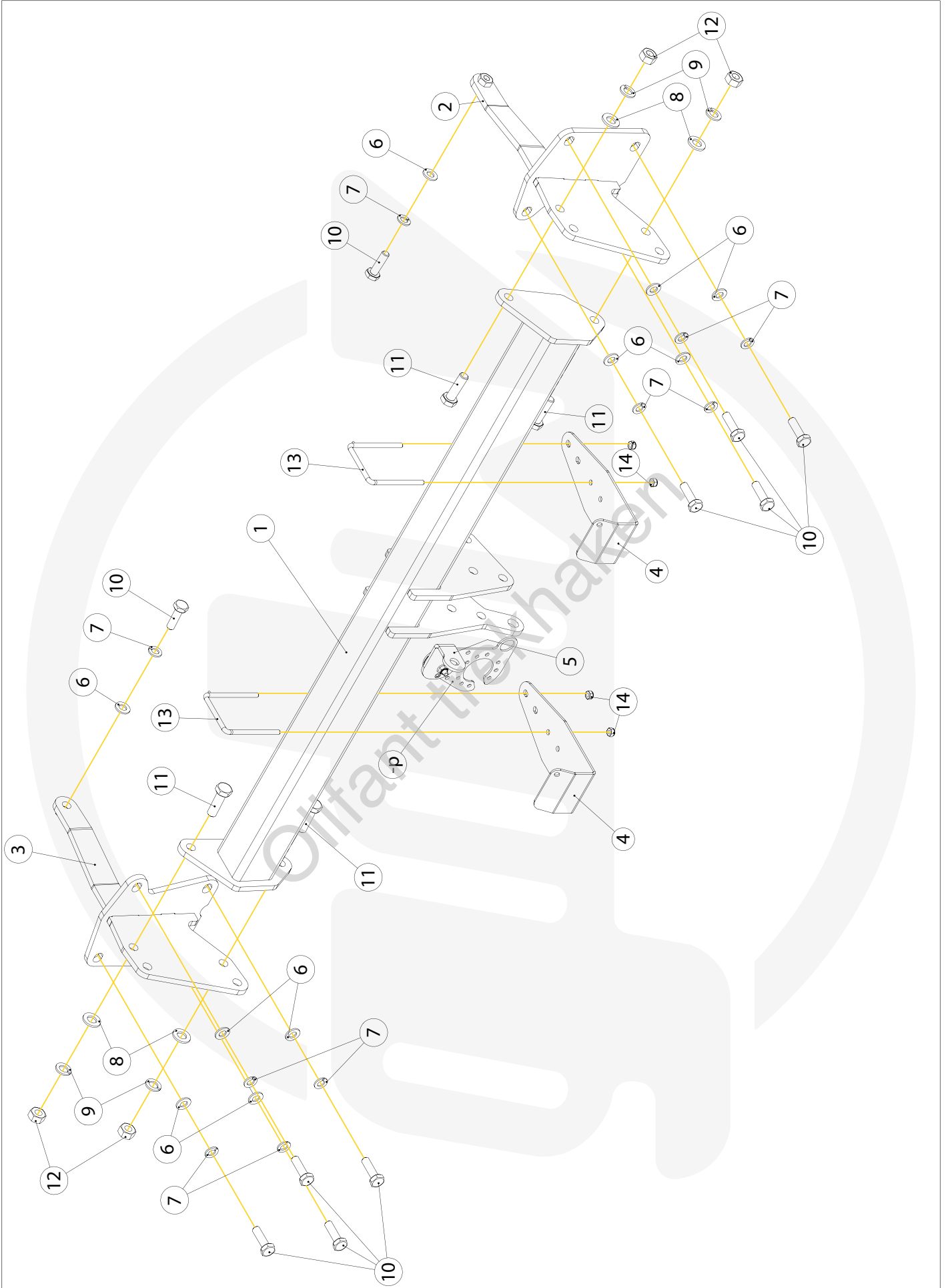
08/'24-

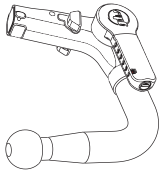

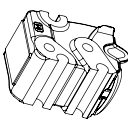
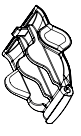

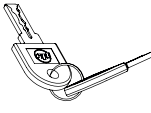

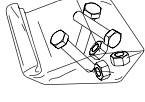
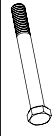


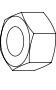
- ✓ HYBRID
- ✓ EV
- ✓ GT-LINE

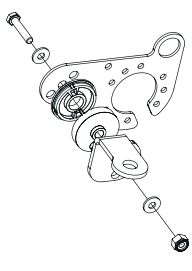


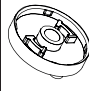
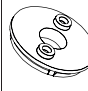
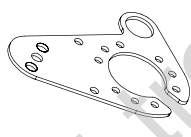




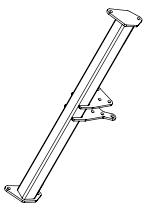
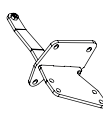
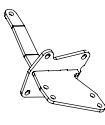
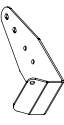







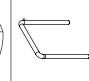



SCAN FOR THE
LATEST VERSION



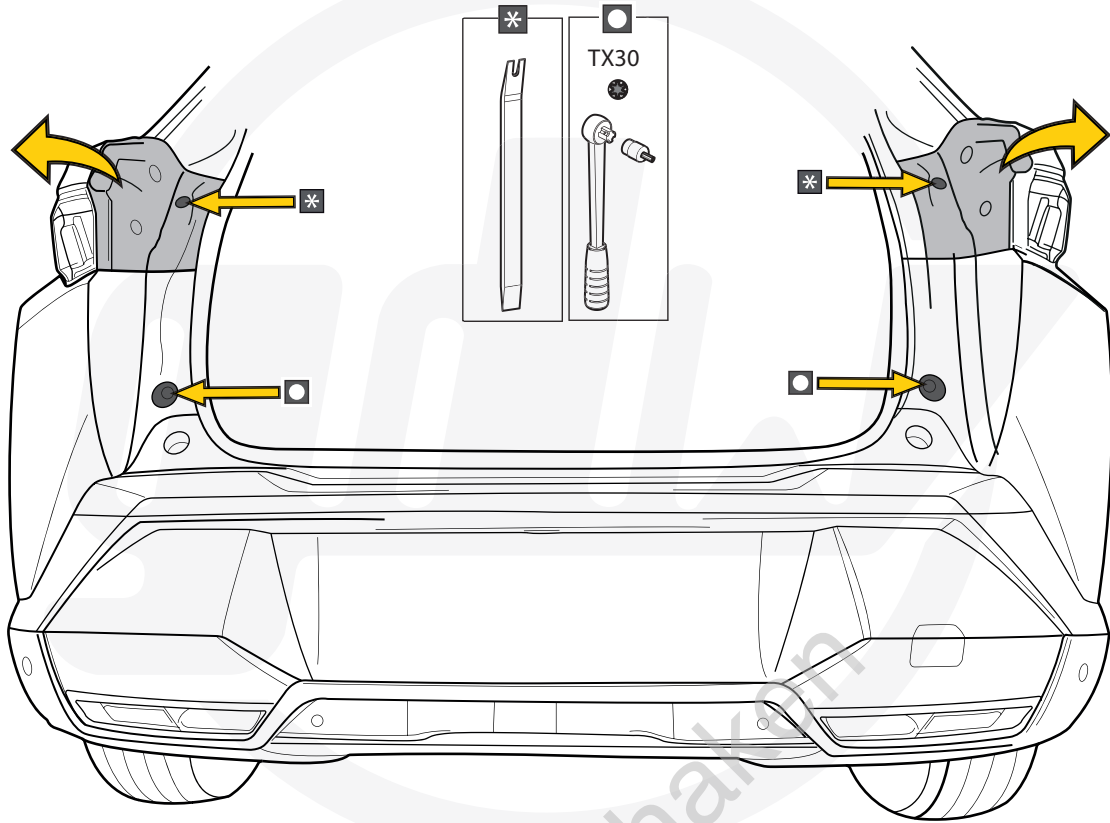


Geleverd met - Livré avec - Delivered with Geliefert mit - Elementos adjuntos - Leverages med		X1	GDW REF. 960.K039
		X1	GDW REF. 740.200
		X1	GDW REF. 912.003
		X1	GDW REF. 740.112
		X1	GDW REF. 740.111
		X1	GDW REF. 740.12X X= LAST NUMBER ON KEY
		X1	GDW REF. 718.15.001
		X1	GDW REF. SYST60-10
		X3	DIN931-M12X110-8.8
		X3	DINT28A-M12
	X6	DINT25A-M12	
	X3	DIN934-M12	

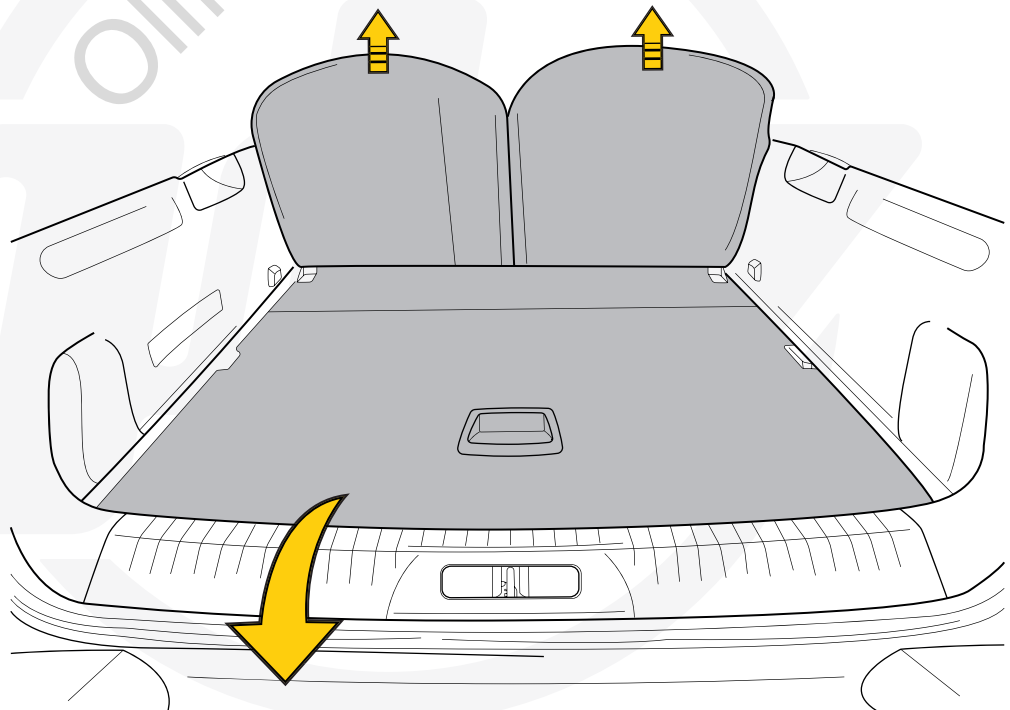
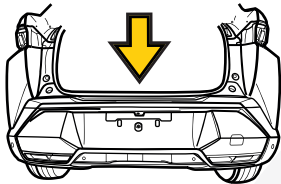
-P		X1	GDW REF. P38
↑		X1	DIN985-M6
↑		X2	6,2 X 15,4 X 1,6 (NYLON)
↑		X1	GDW REF. 718.16.002
↑		X1	GDW REF. 718.16.003
↑		X1	GDW REF. 908.094
↑		X1	DIN933-M6 X 30
↑		X1	GDW REF. 4

1		X1	GDW REF. 2888T60
2		X1	GDW REF.2
3		X1	GDW REF.3
4		X2	GDW REF.4
5		X10	DIN 125A-10.5X20X2
6		X10	GROWER VSK-M10
7		X4	DIN 125A-13X24X2.5
8		X4	GROWER VSK-M12
9		X10	DIN 933-M10X35
10		X4	DIN 933-M12X40
11		X4	DIN 934-M12
12		X2	GDW REF.12
13		X4	DIN 985-M6
-V		X1	GDW REF. 908.097
-S		X1	GDW REF. 900.053

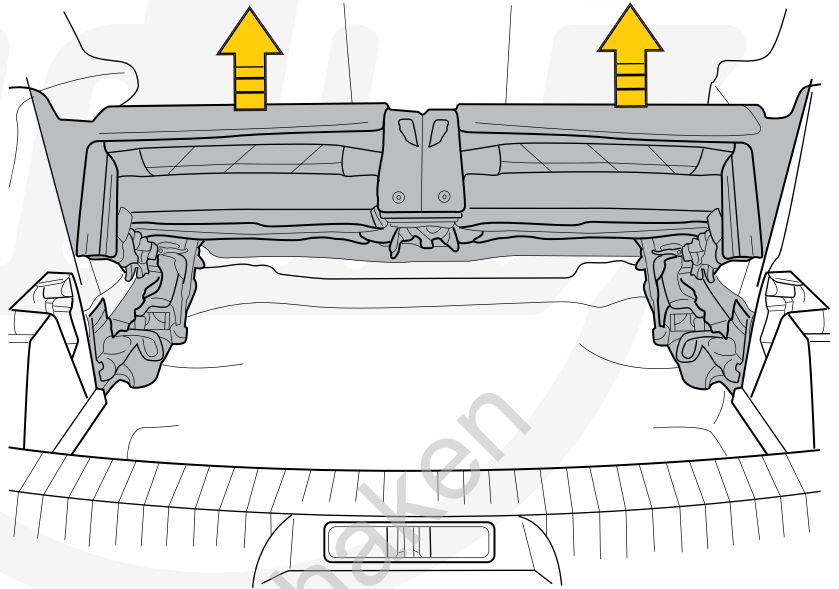
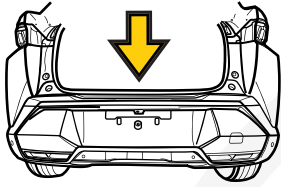
1



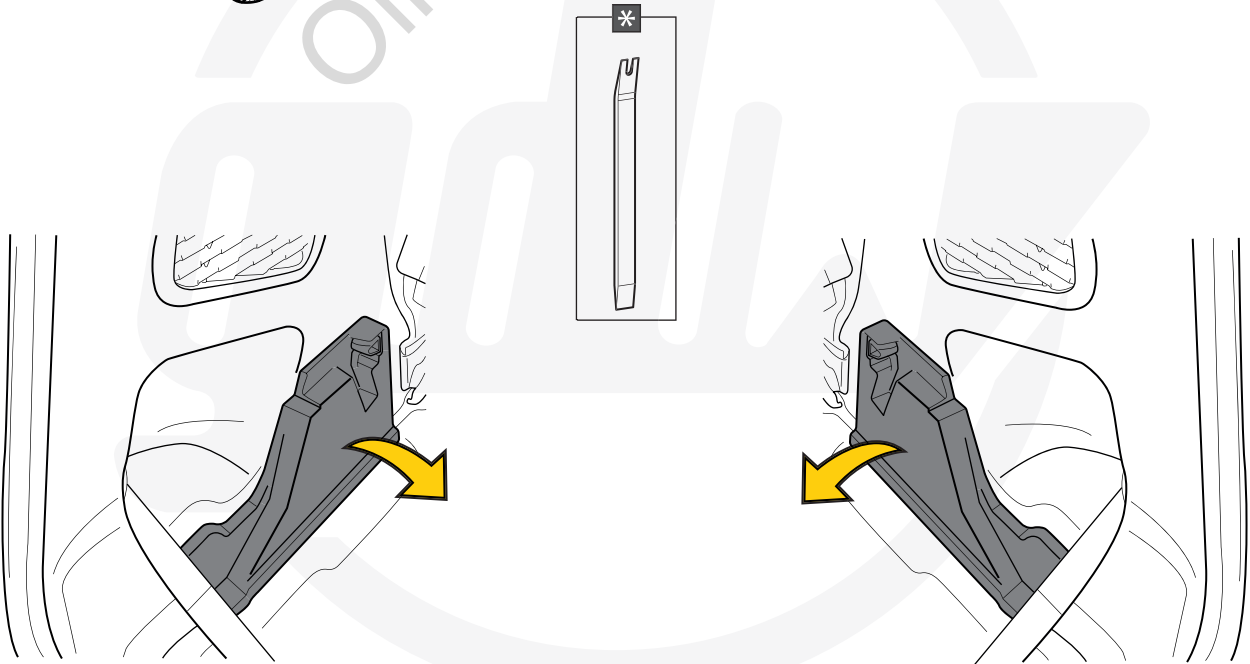
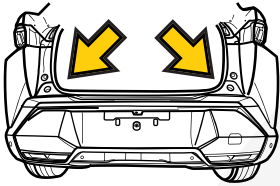
2



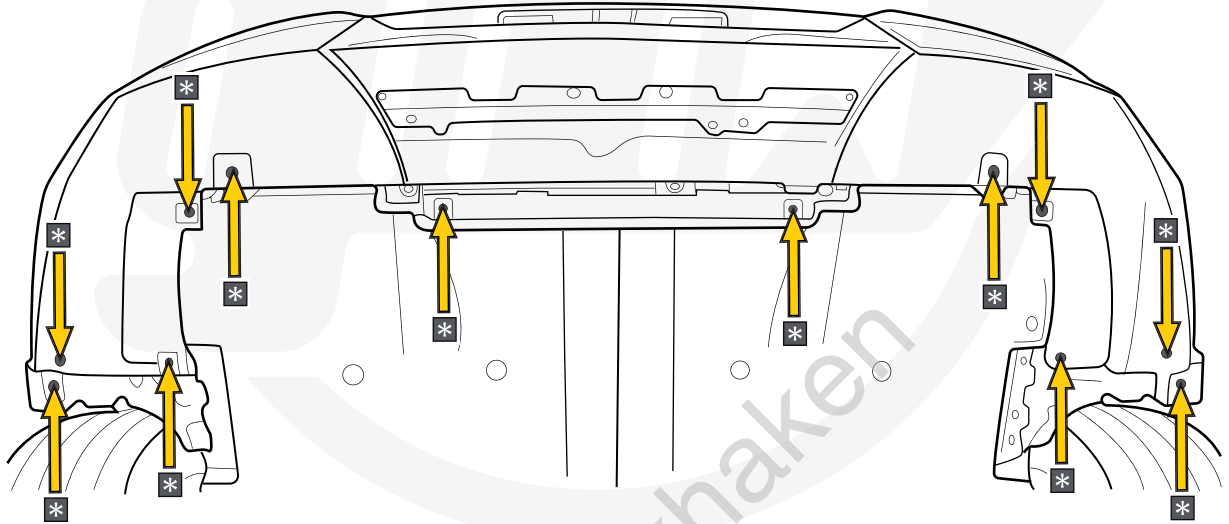
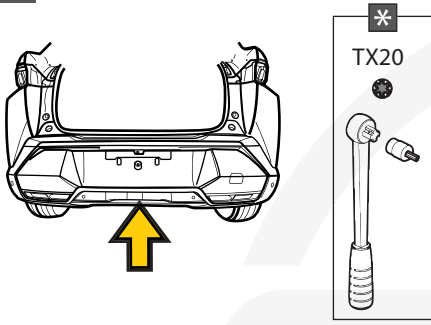
3



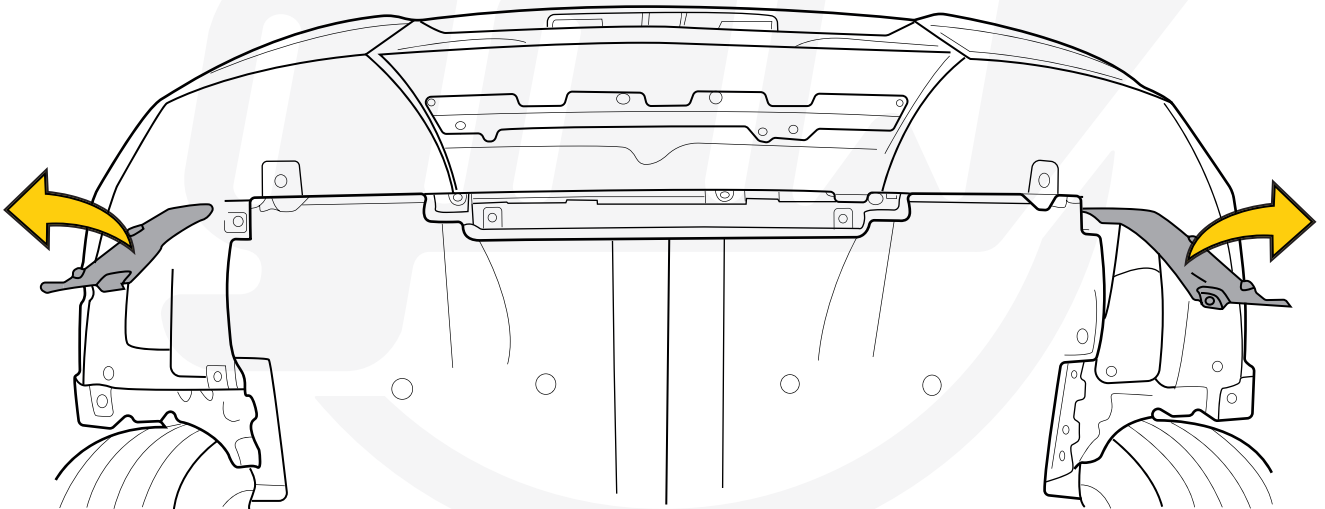
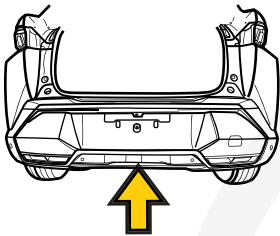
4



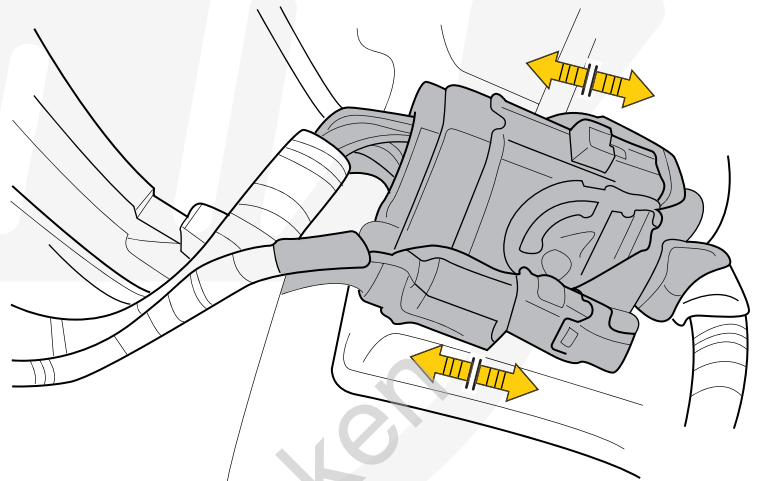
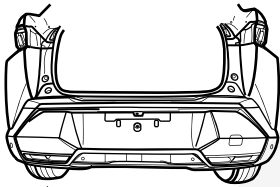
5



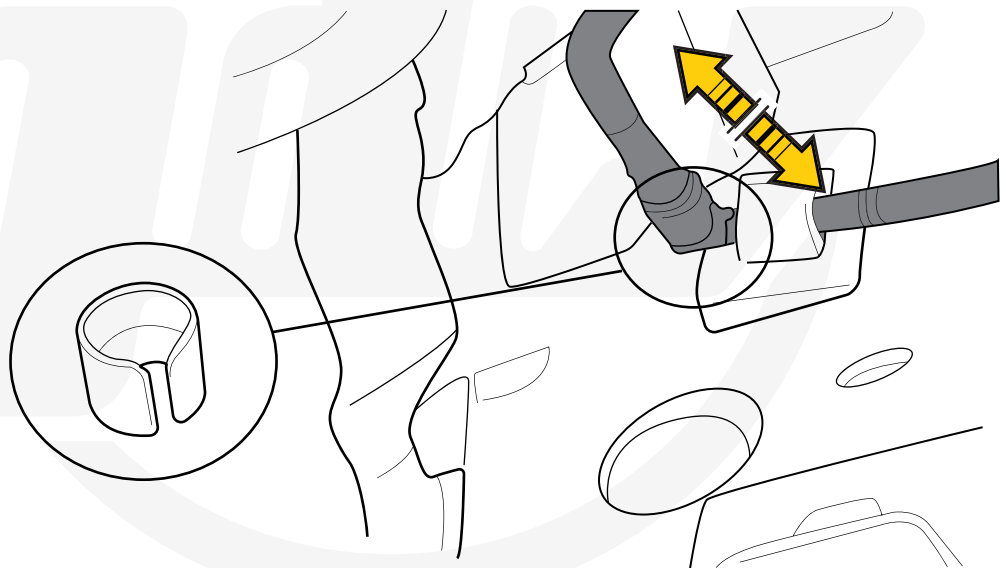
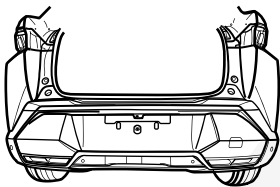
6

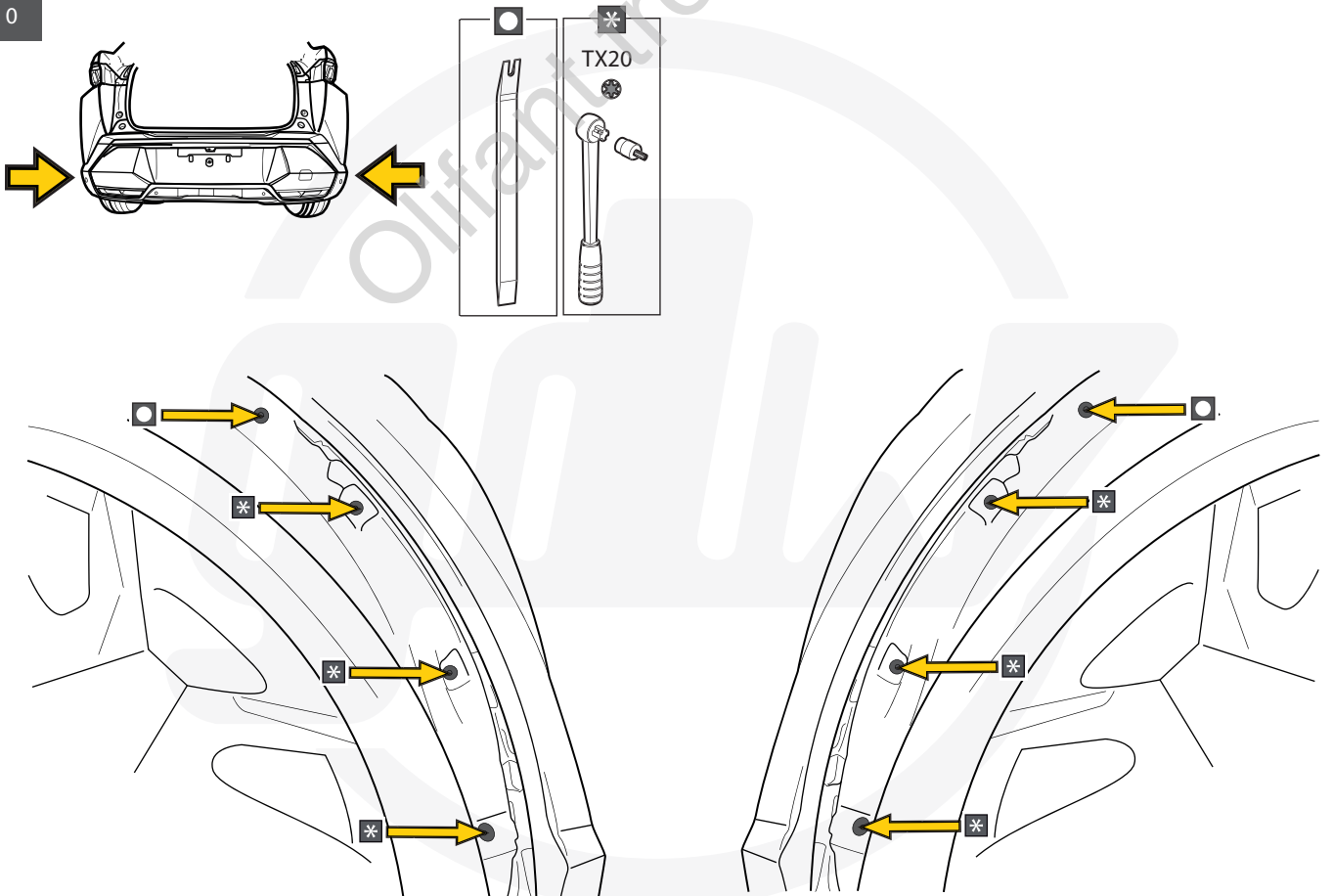
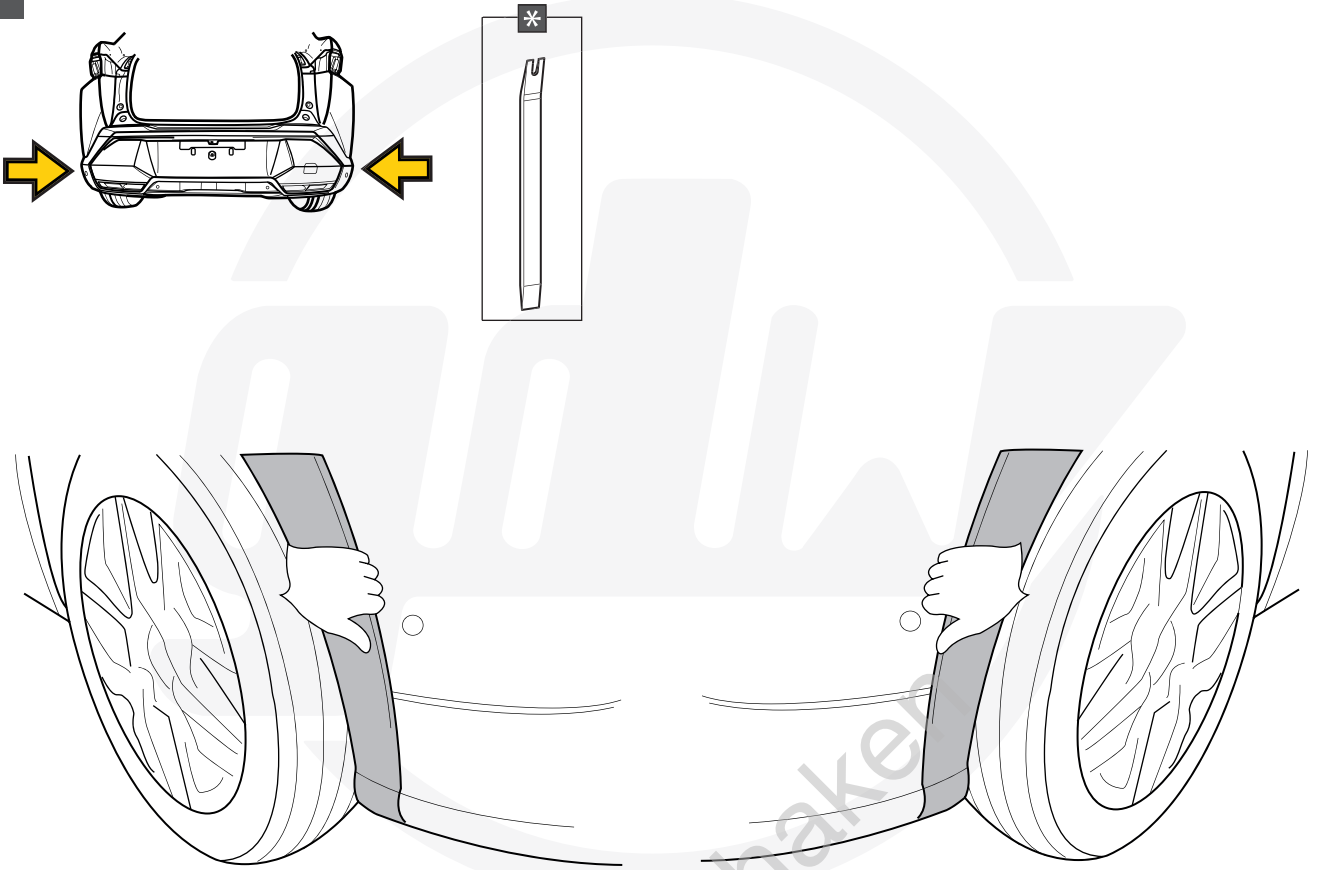


7

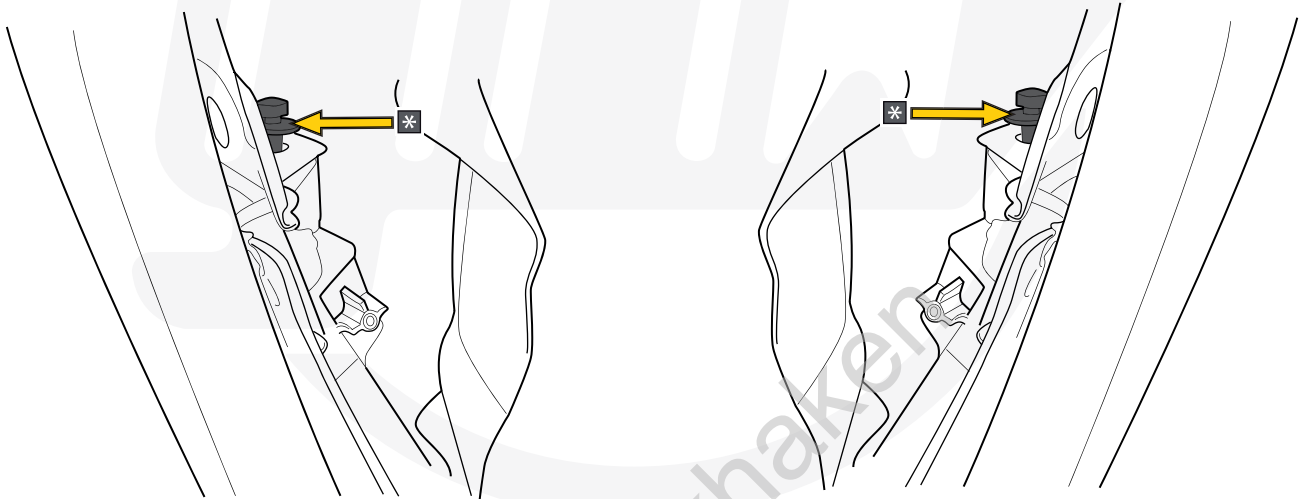
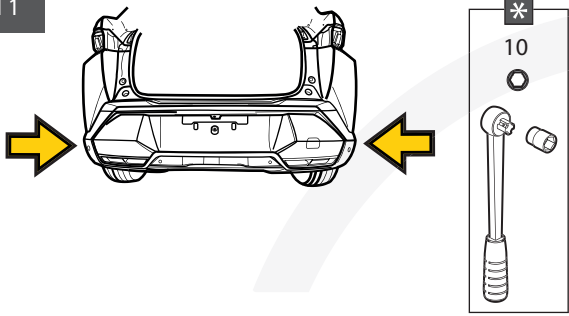


8

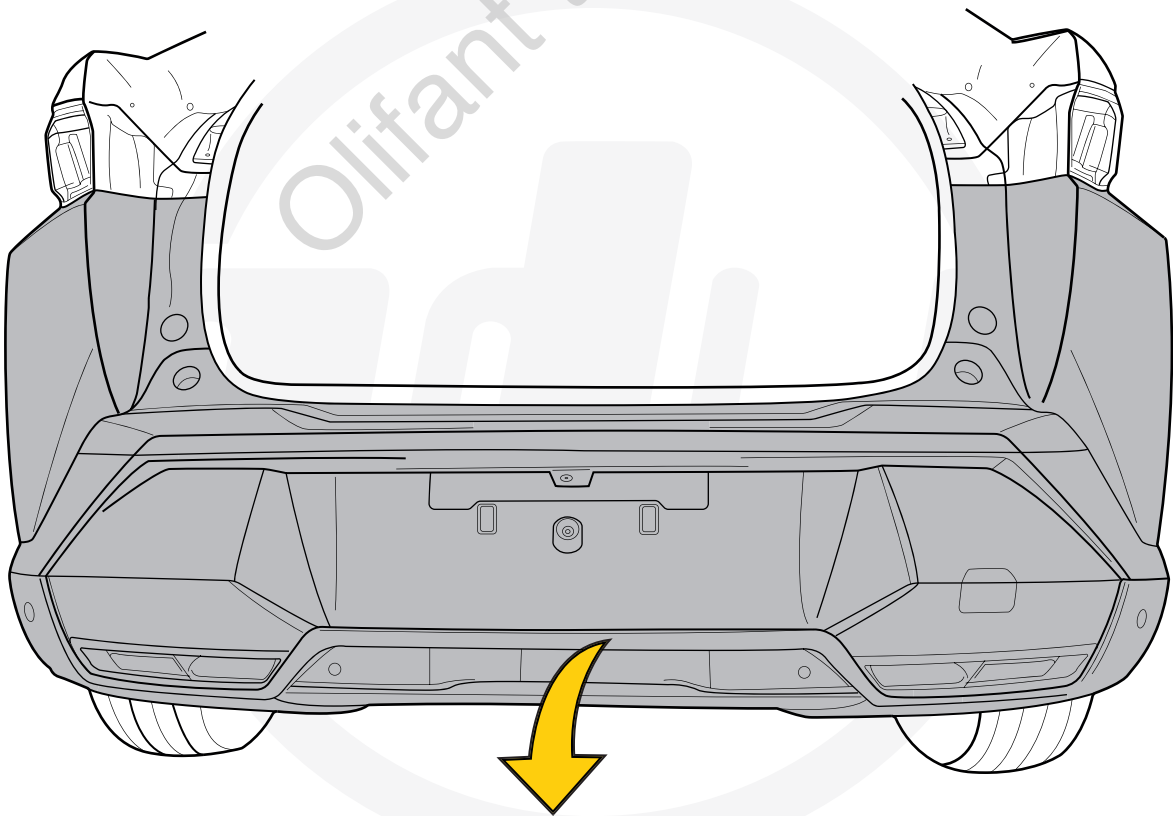


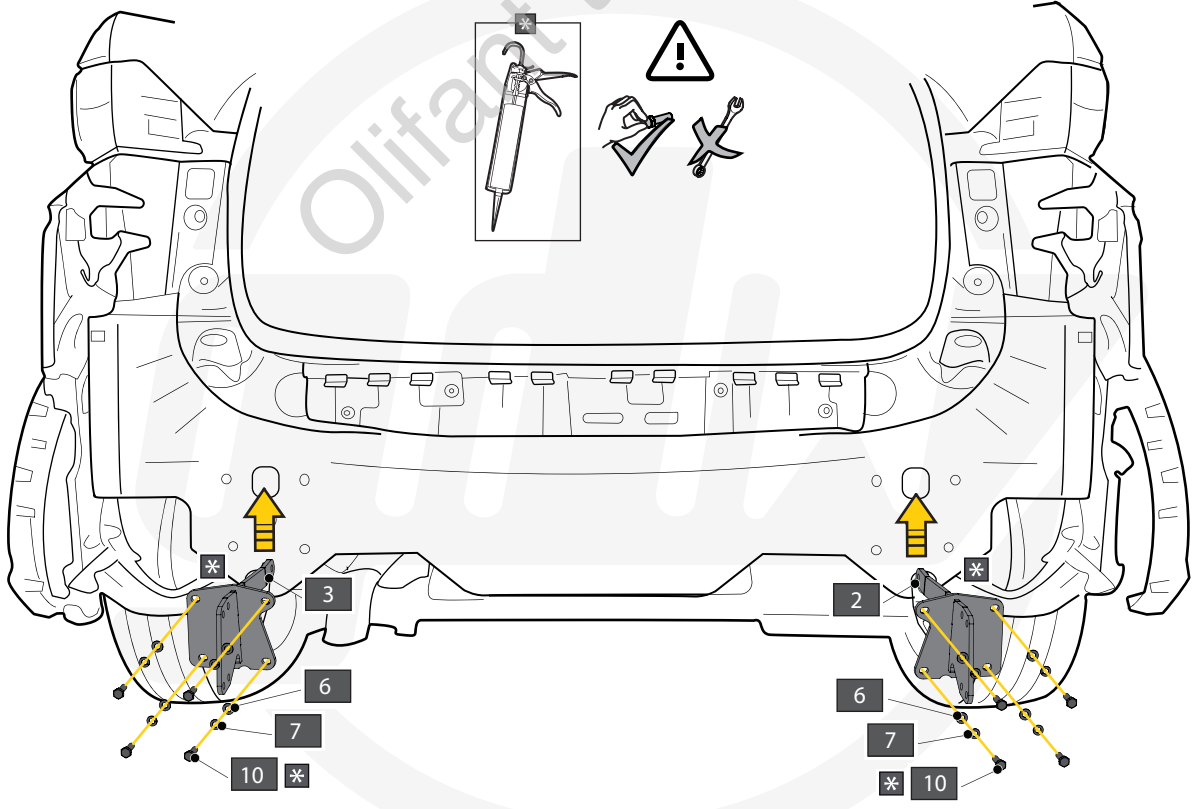
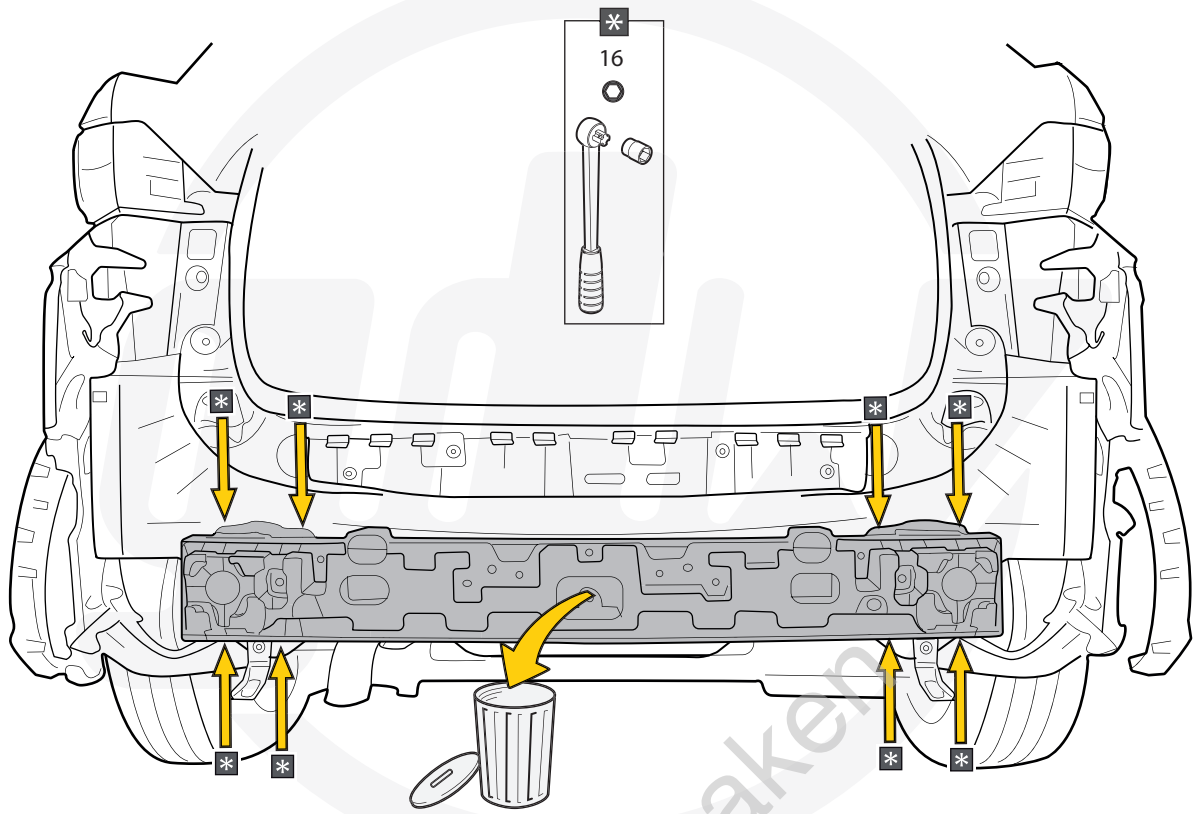


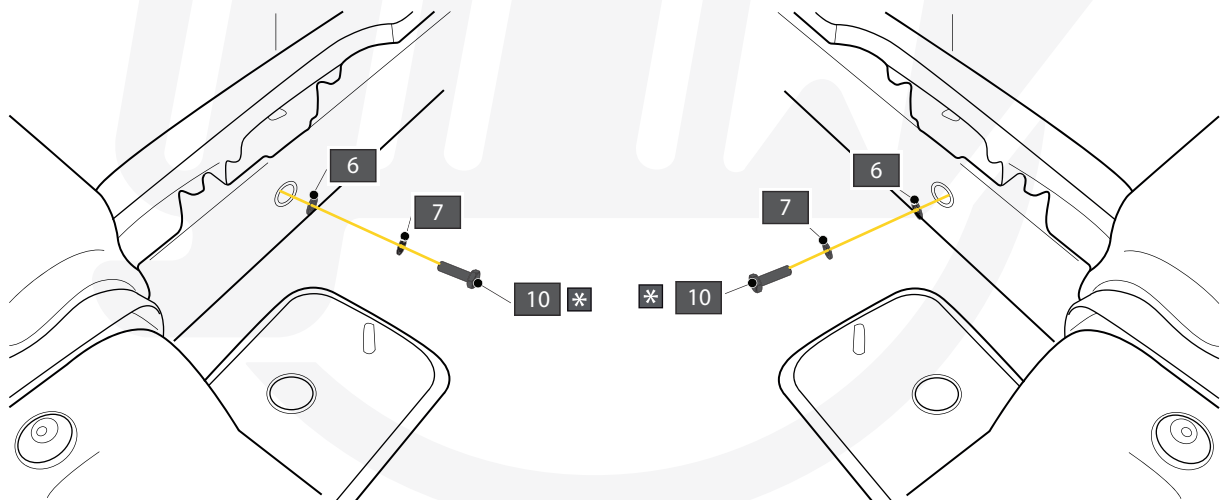
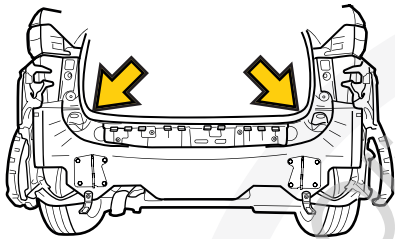
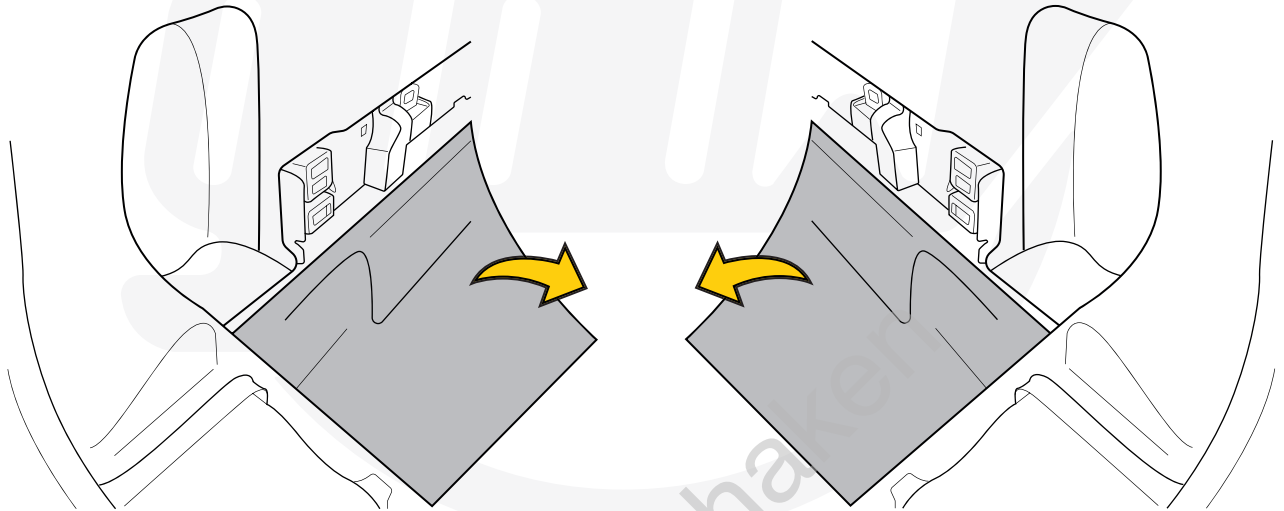
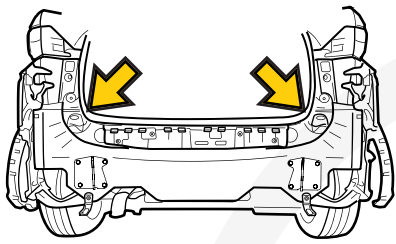
11

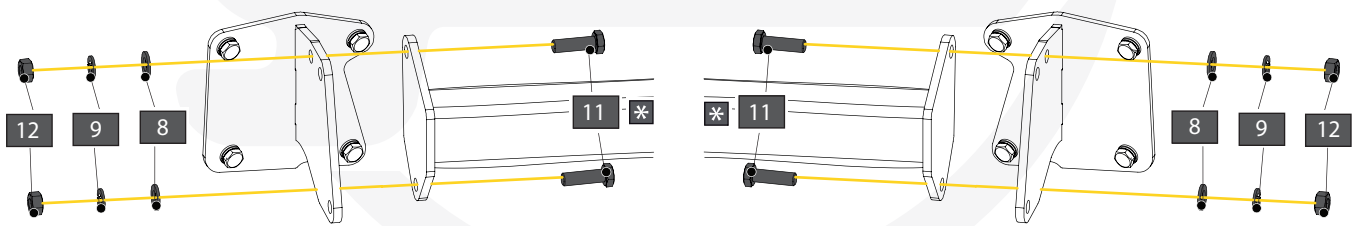
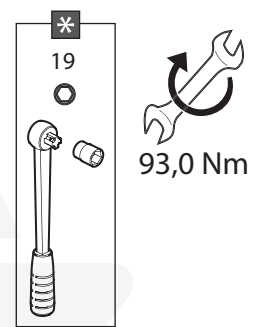
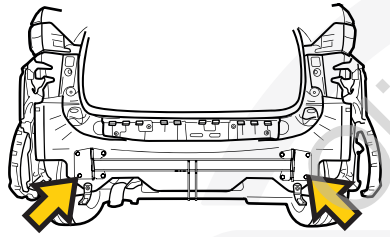
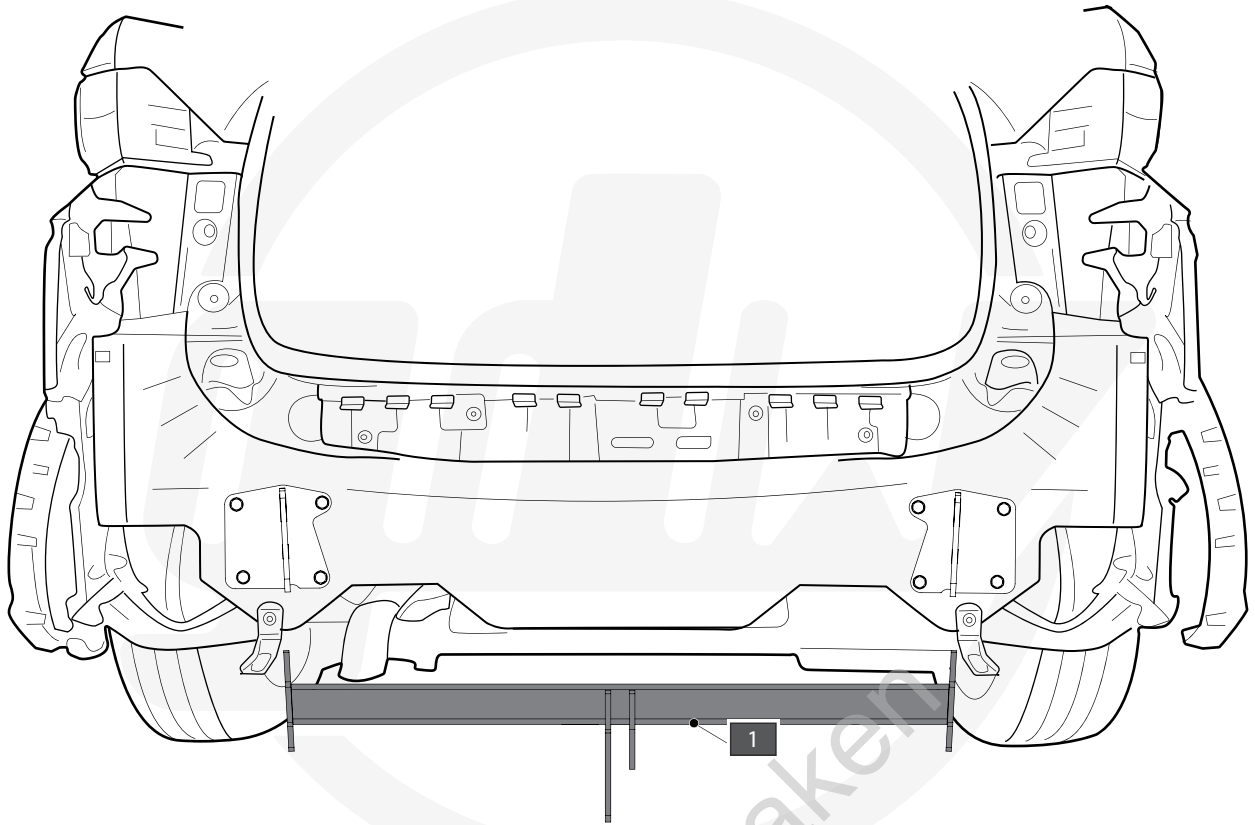


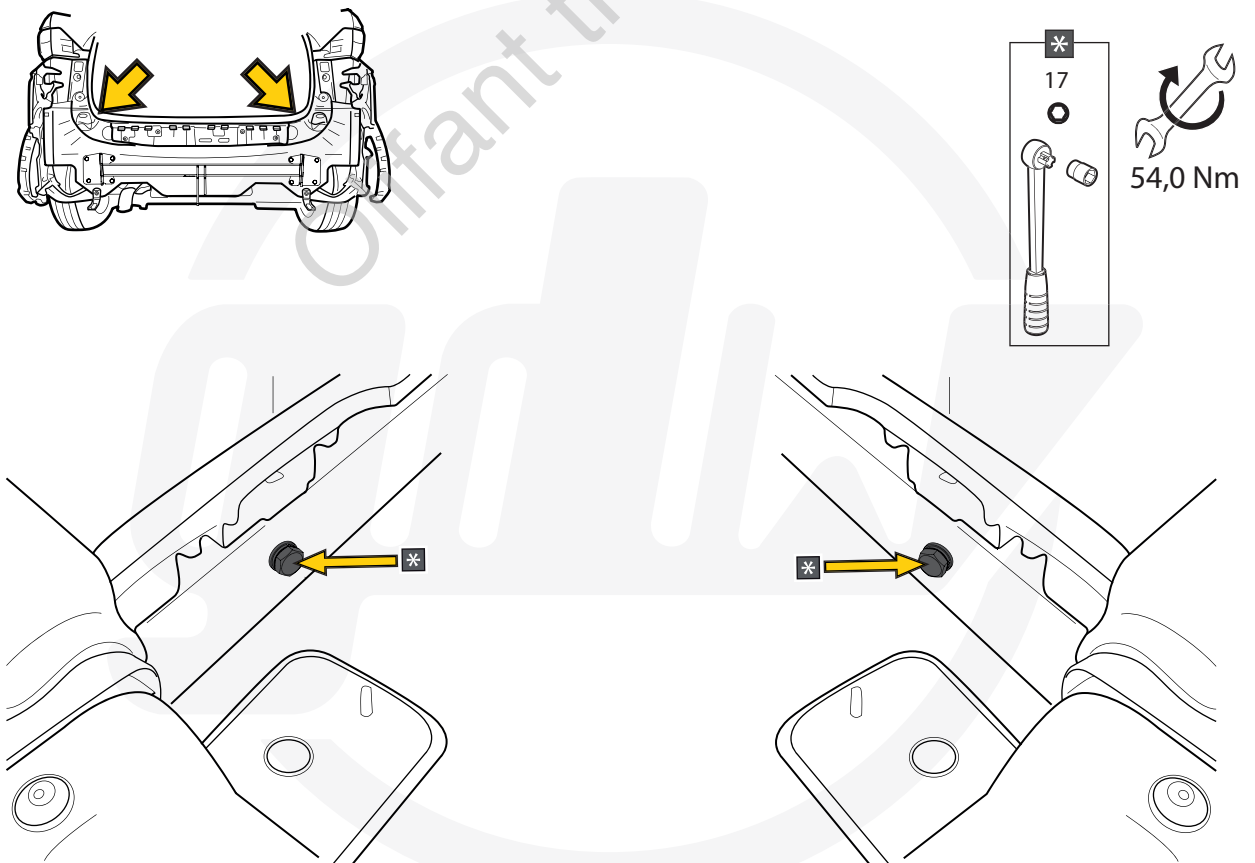
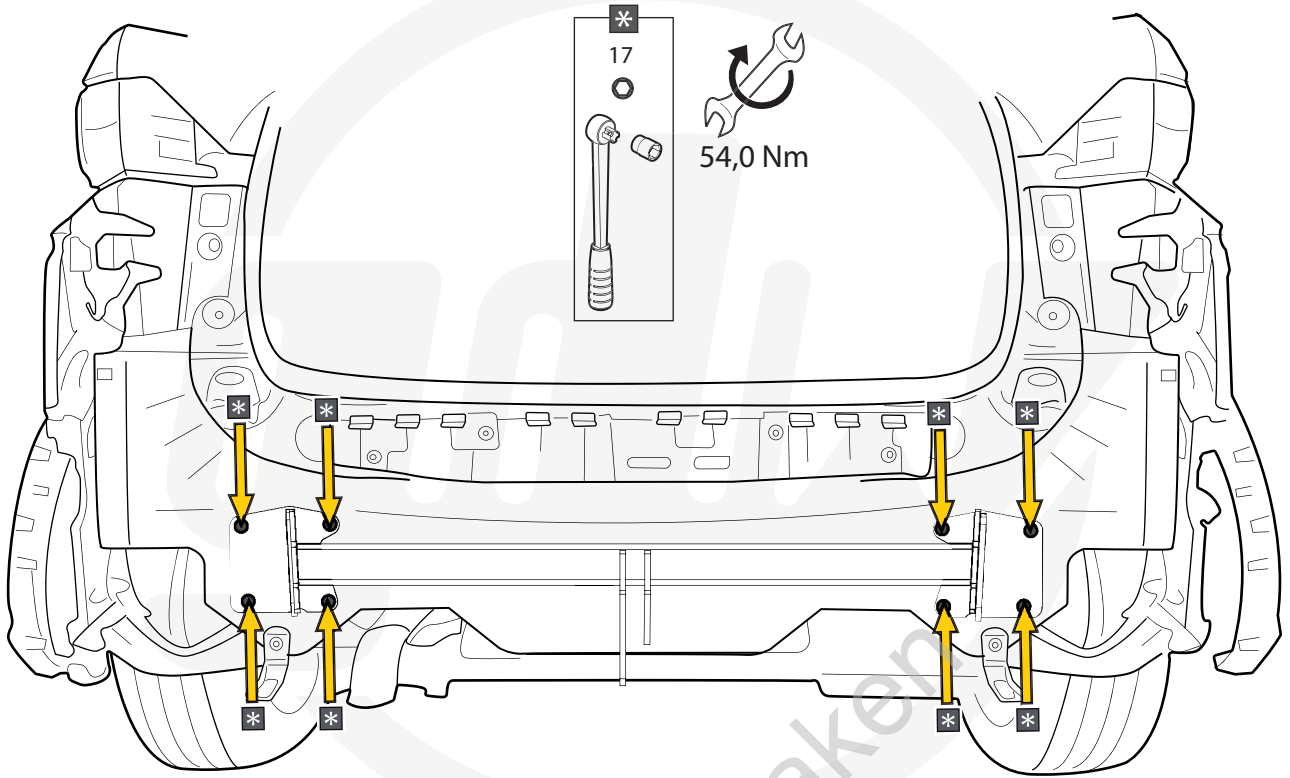
12

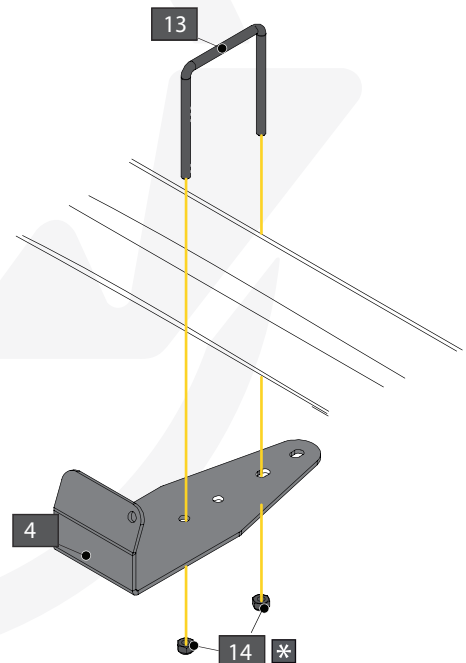
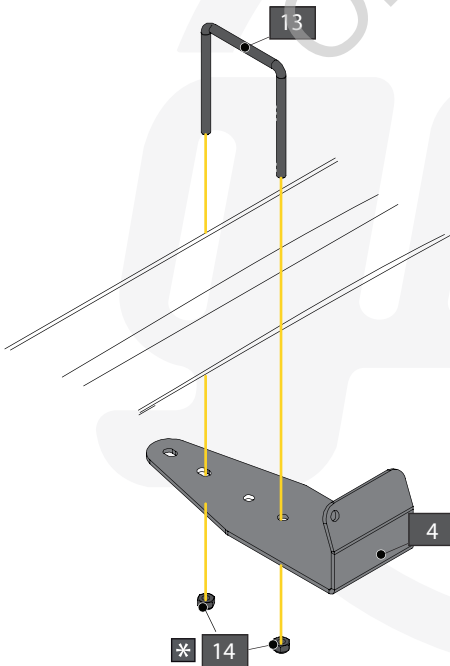
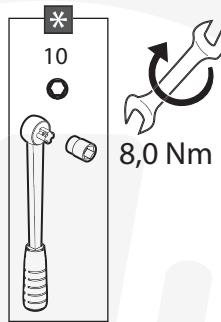
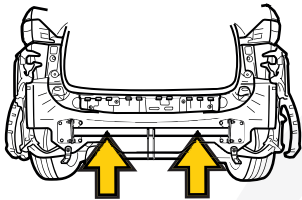
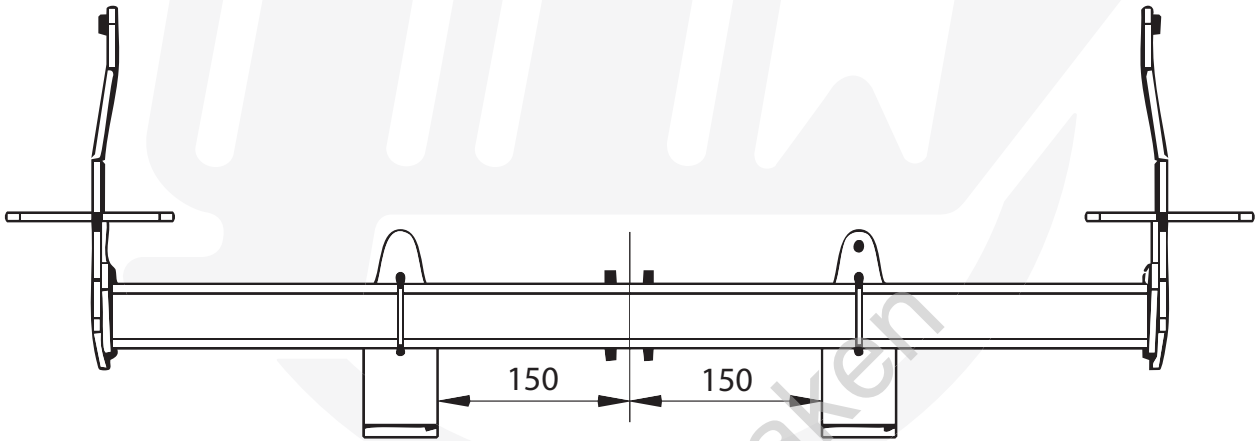
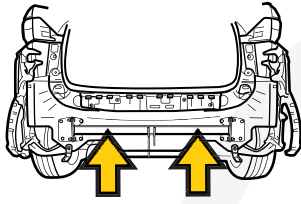


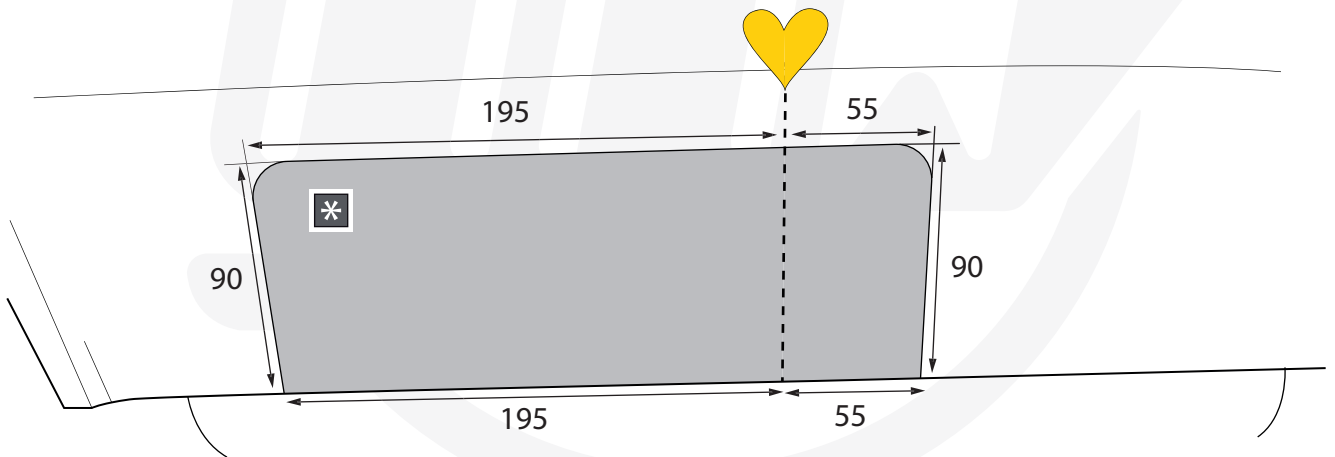
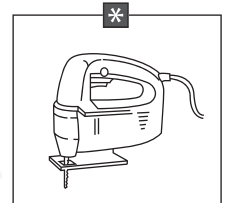
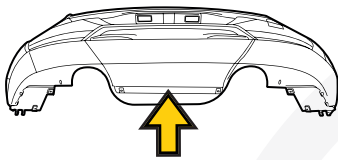
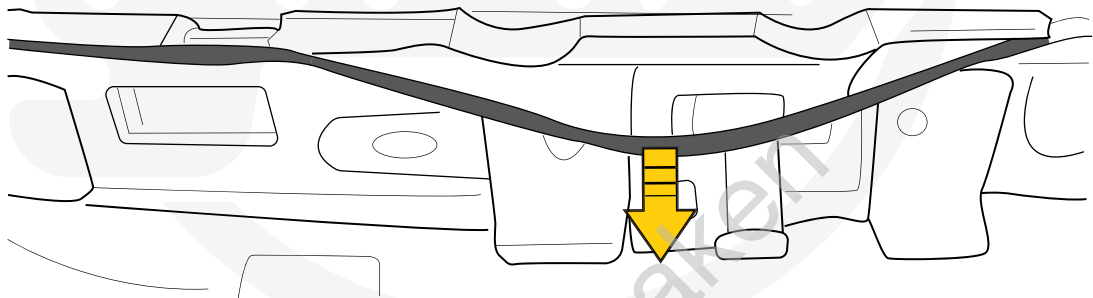
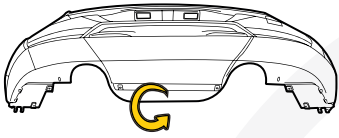


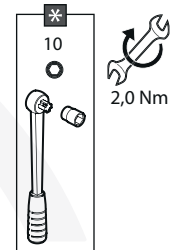
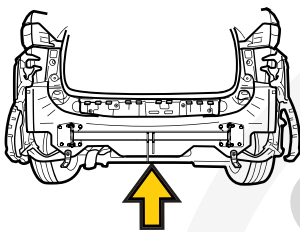
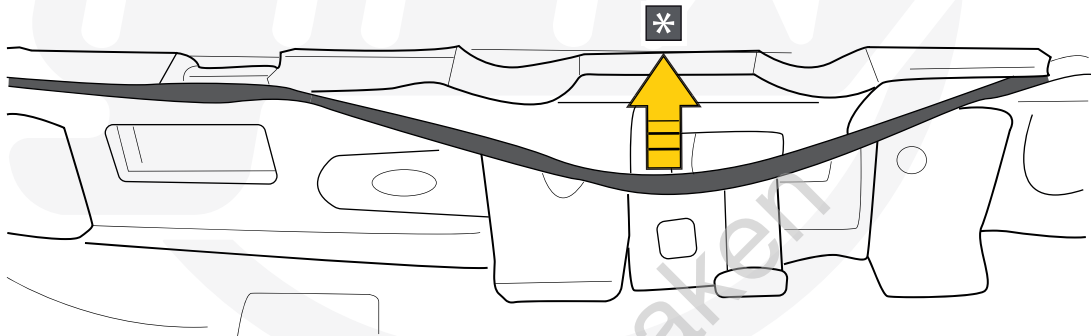
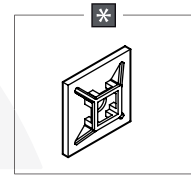
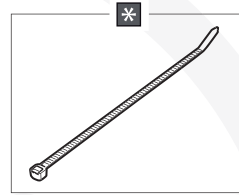
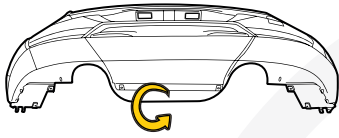




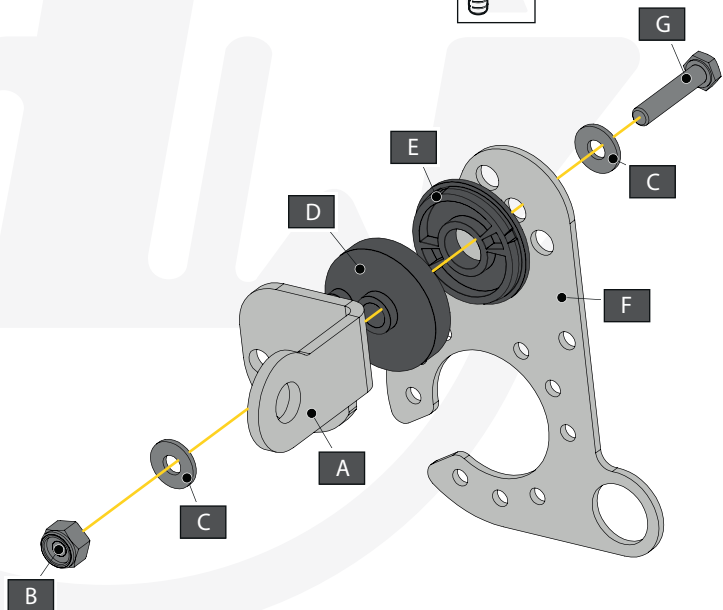


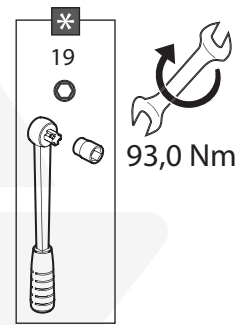
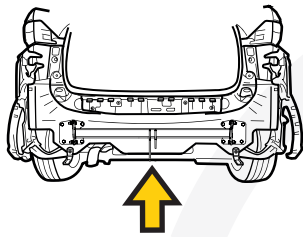






A		X1	GDW REF. 4
B		X1	DIN 985-M6
C		X2	15.4X6,2X1,6 (NYLON)
D		X1	GDW REF. 718.16.002
E		X1	GDW REF. 718.16.003
F		X1	GDW REF.908.094
G		X1	DIN933-M6X30





A		X1	GDW REF. 912.003
B		X3	DIN931-M12X110-8.8
C		X6	DIN125A-M12
D		X3	DIN128A-M12
E		X3	DIN934-M12

