

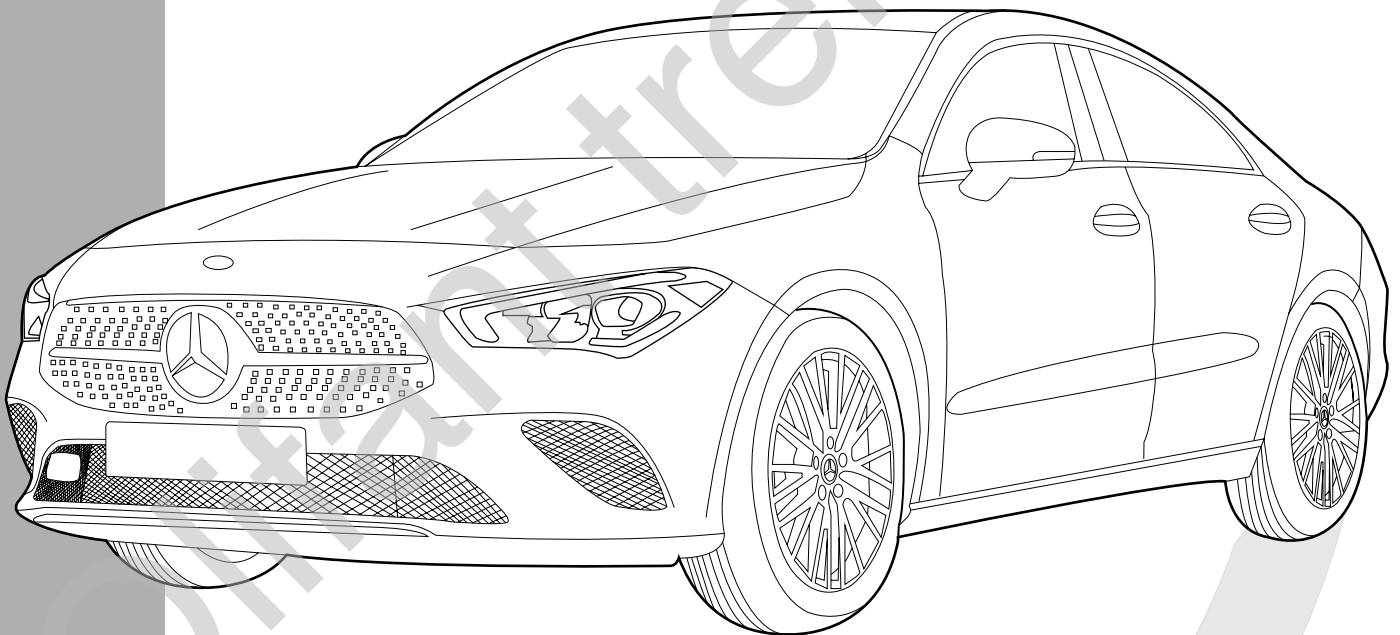


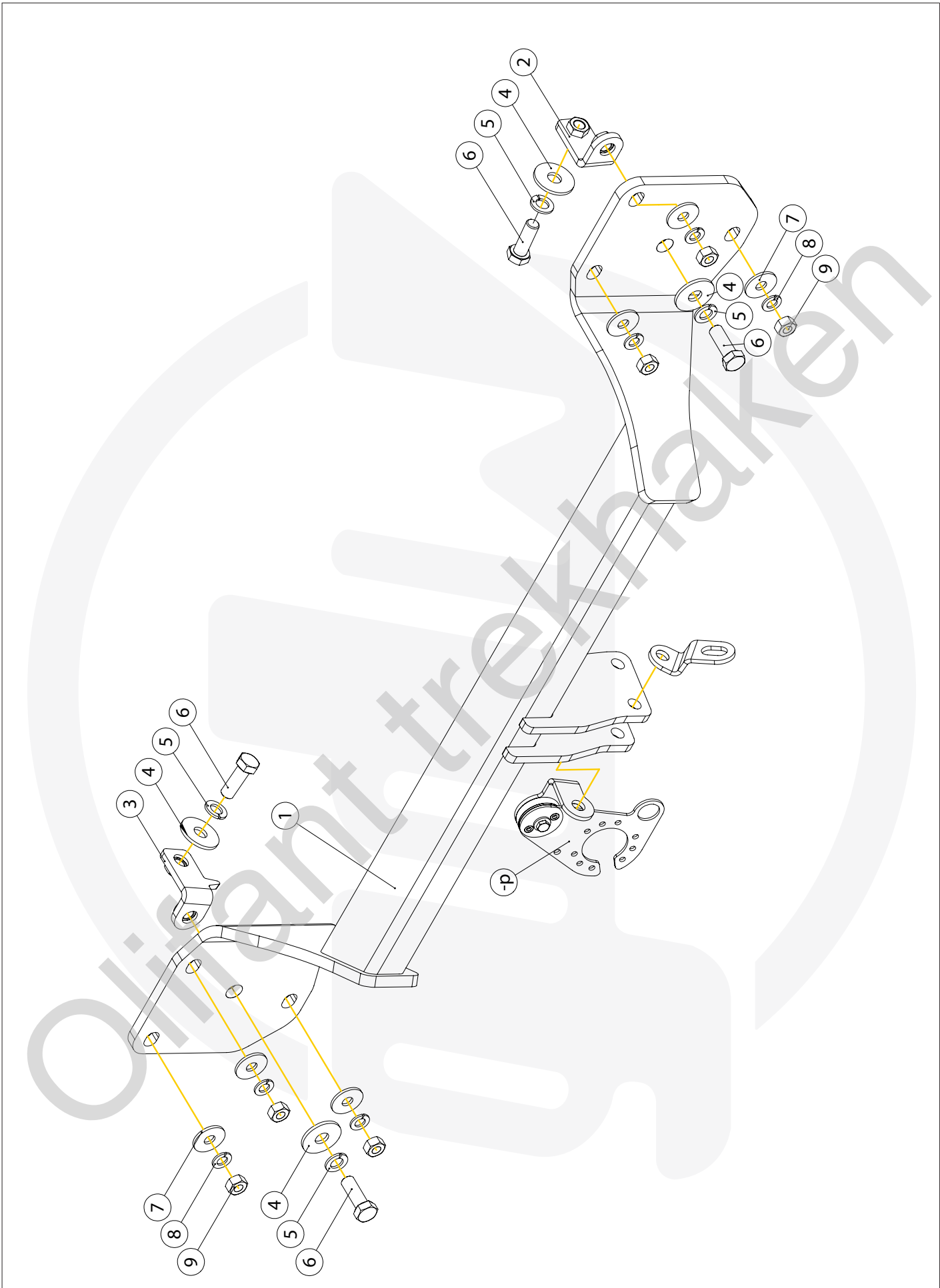
Mercedes CLA (type C118)
03/'19-

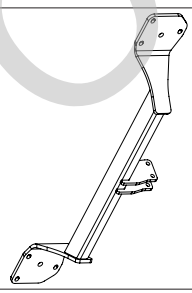
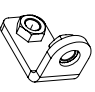
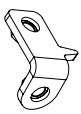







Mercedes CLA AMG-Line (type C118)
03/'19-

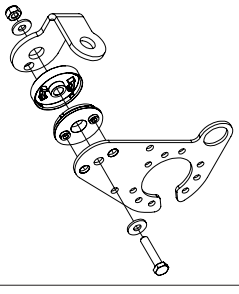

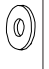


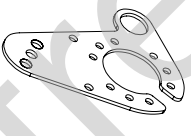


Mercedes CLA Shooting Brake (type X118)
06/'19-

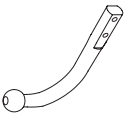
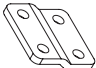



Mercedes CLA Shooting Brake AMG-Line (type X118)
06/'19-





1		X1	GDW REF. 2416
2		X1	GDW REF. 2
3		X1	GDW REF. 3
4		X4	DIN9021-M12-ELVZ
5		X4	DIN128A-M12
6		X4	DIN933-M12 X 35
7		X6	DIN9021-M10-ELVZ
8		X6	DIN128A-M10
9		X6	DIN934-M10
-V		X1	GDW REF. 908.095

-P		X1	GDW REF. P39
└		X1	DIN985-M6
└		X2	6,2 X 15,4 X 1,6 (NYLON)
└		X1	GDW REF. 718.16.002
└		X1	GDW REF. 718.16.003
└		X1	GDW REF. 908.094
└		X1	DIN933-M6 X 30
└		X1	GDW REF. 908.095

Geleverd met - Livré avec - Delivered with Gefiefert mit - Elementos adjuntos-Leveres med		
	X1	944.M000
	X2	GDW REF. 900.008
	X2	GDW REF. 900.011 Ø 21,3 X 11,7
	X4	DIN931-M12 X 70
	X4	DIN985-M12

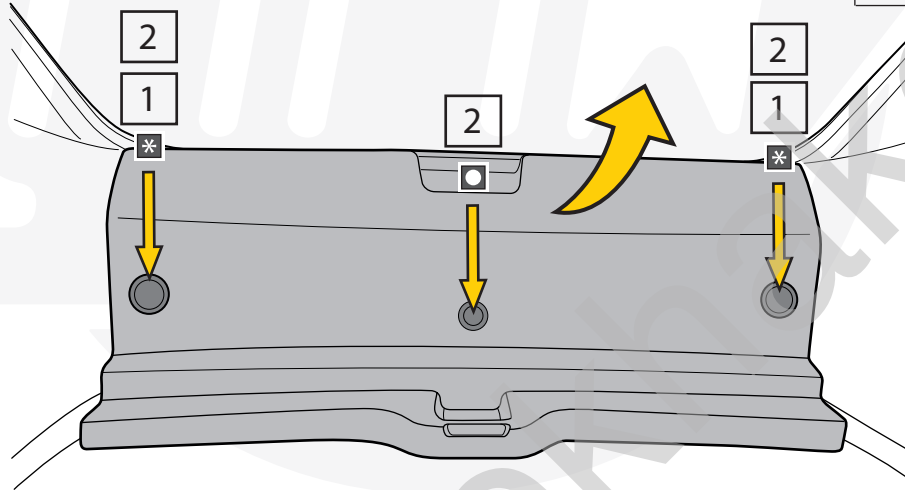
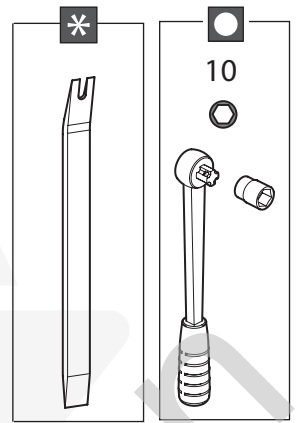
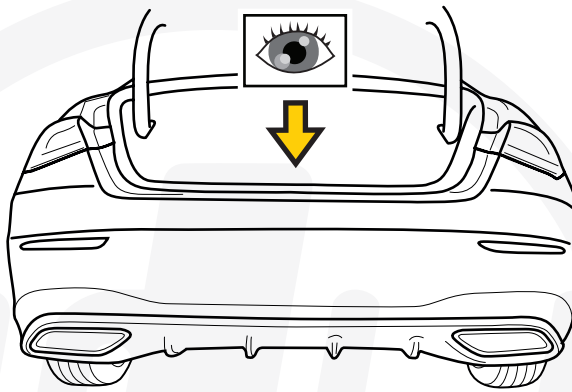
1

1

CLA Coupé +
CLA Coupé AMG-Line

2

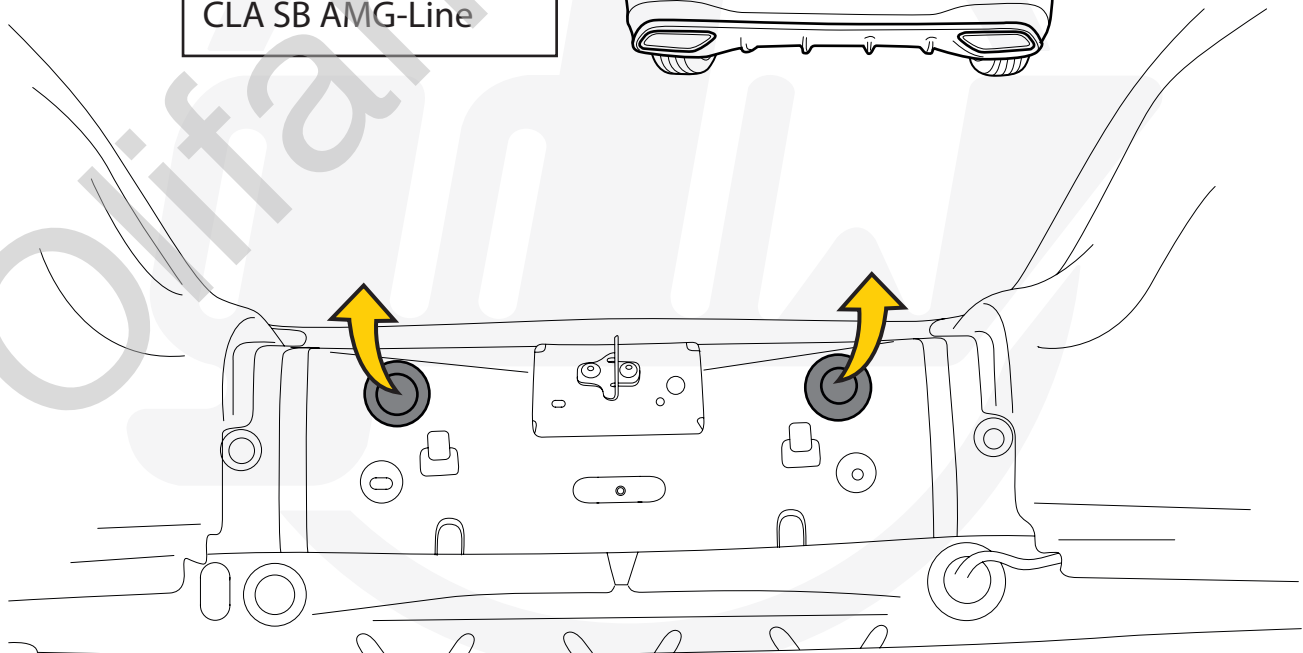
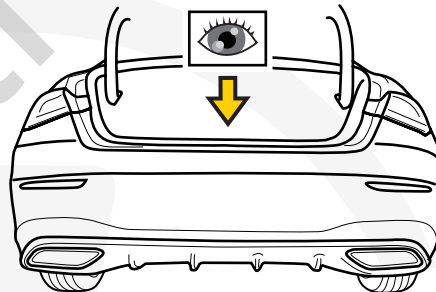
CLA Shooting Brake +
CLA SB AMG-Line



2

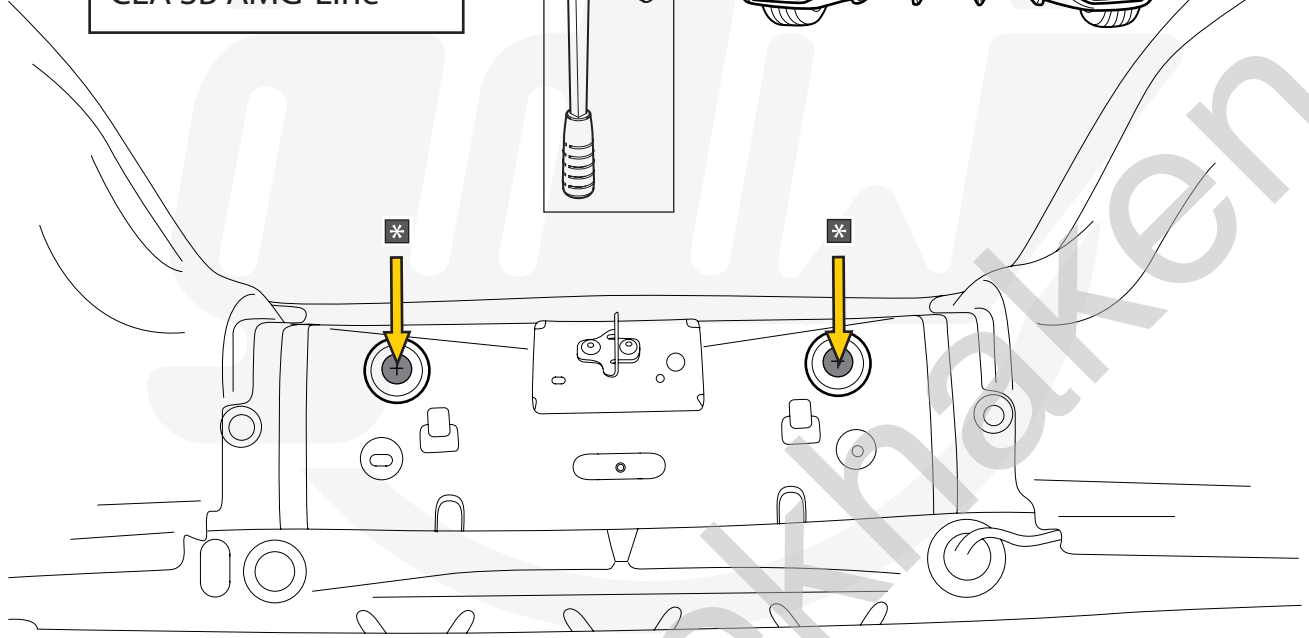
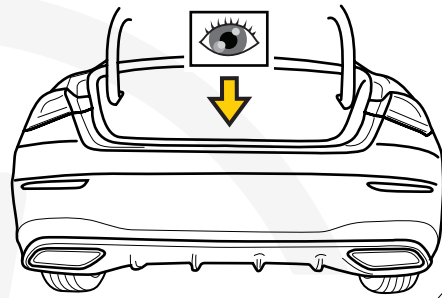
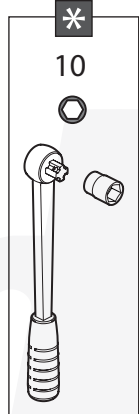
CLA Coupé +
CLA Coupé AMG-Line

CLA Shooting Brake +
CLA SB AMG-Line

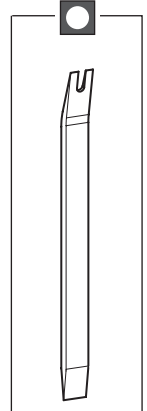
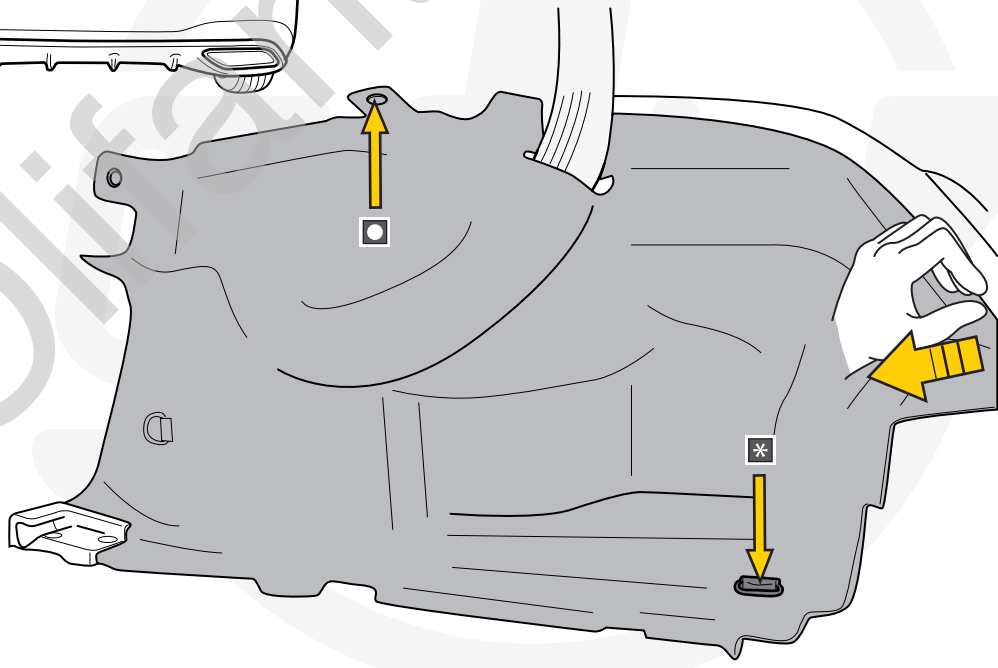
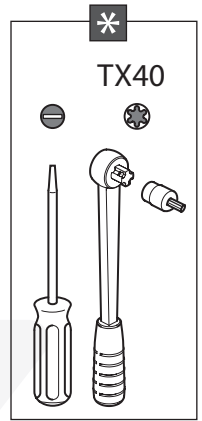
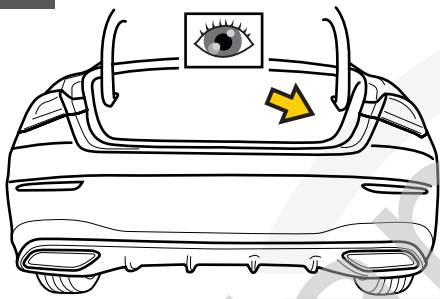


CLA Coupé +
CLA Coupé AMG-Line

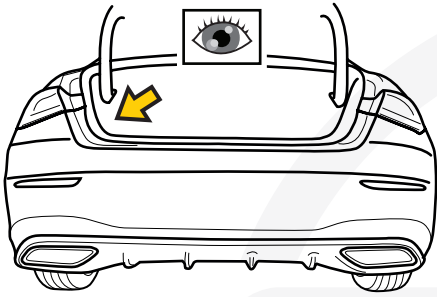
CLA Shooting Brake +
CLA SB AMG-Line



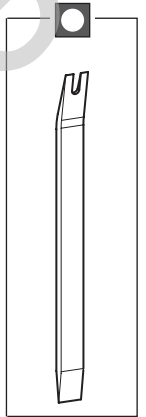
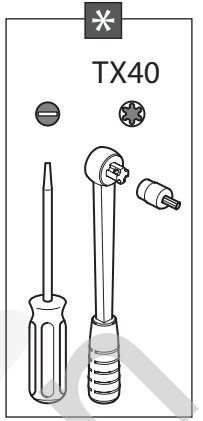
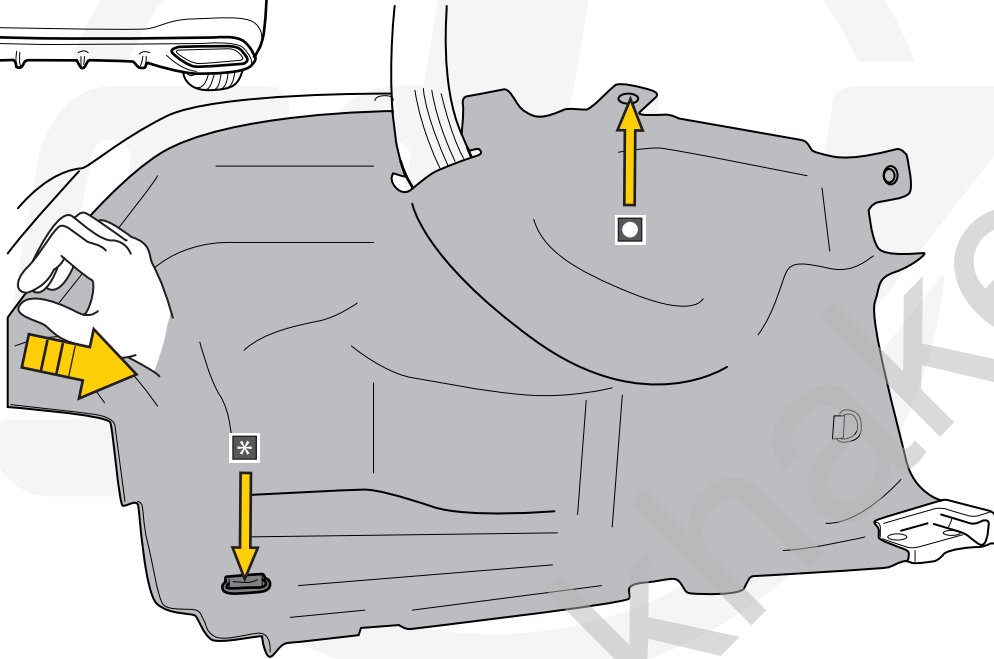
CLA Coupé +
CLA Coupé AMG-Line



5

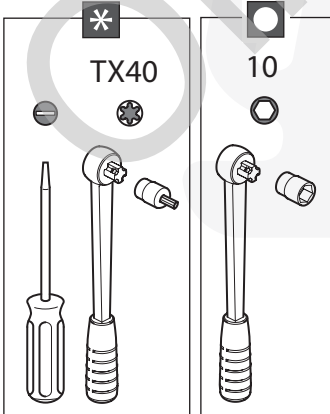
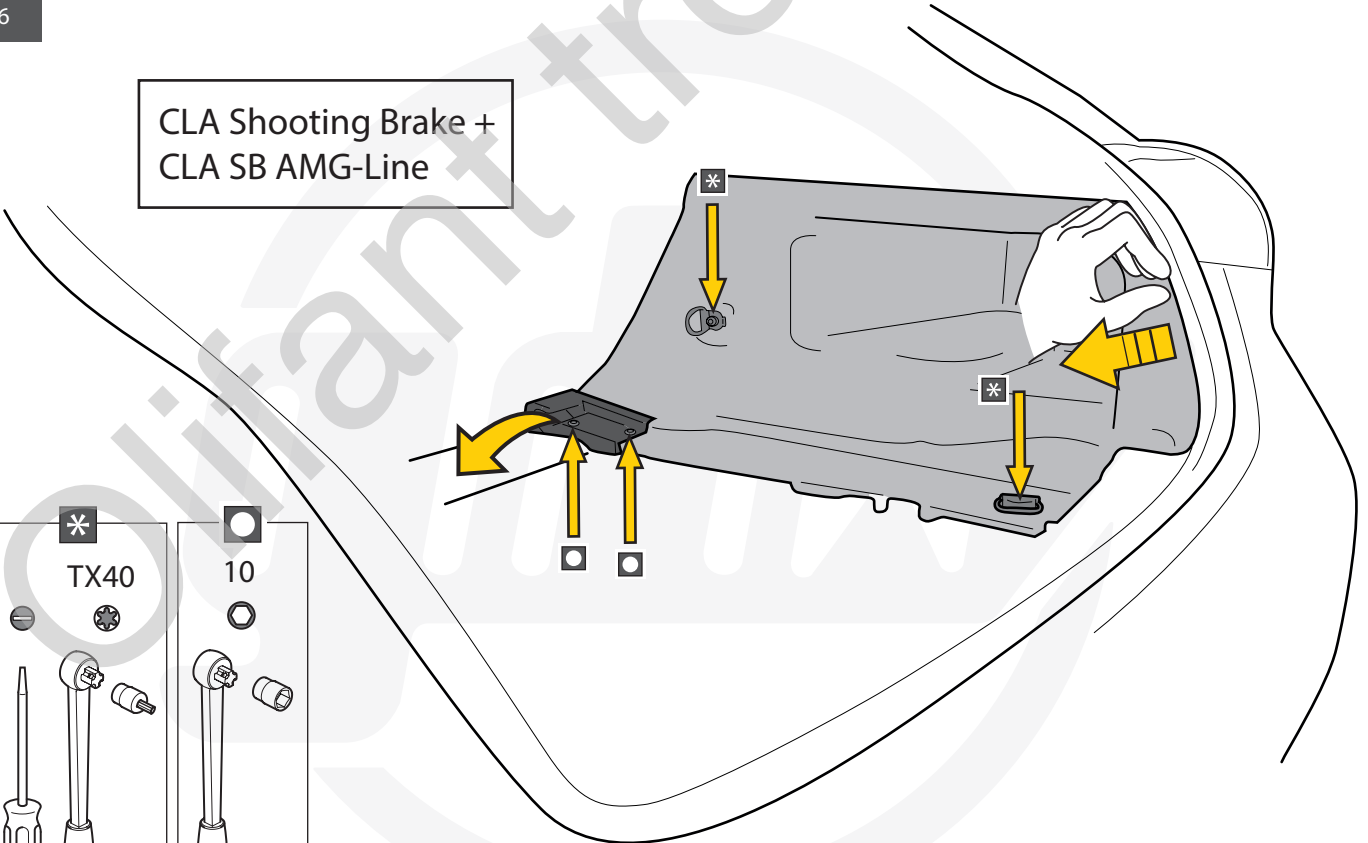


CLA Coupé +
CLA Coupé AMG-Line



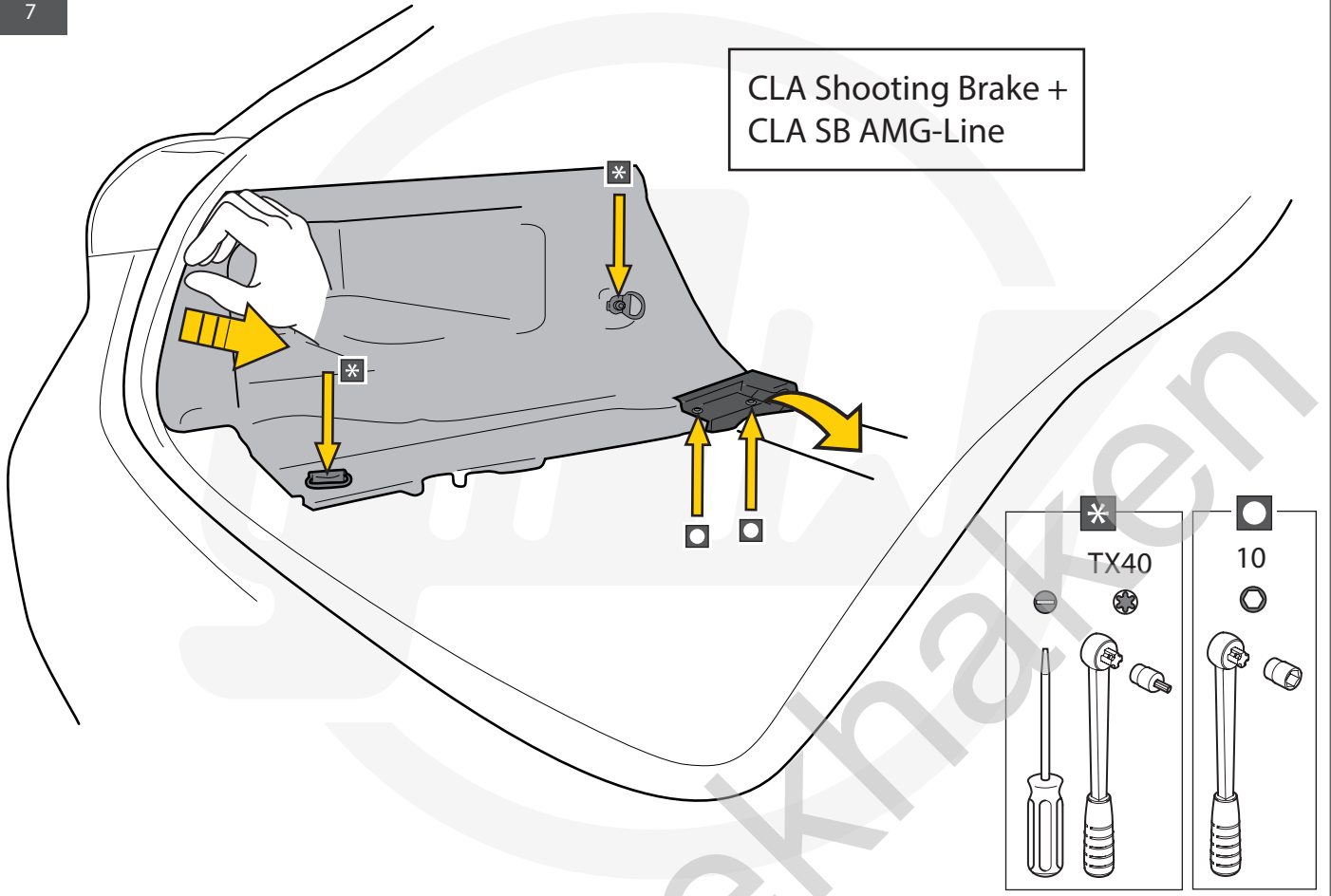
6

CLA Shooting Brake +
CLA SB AMG-Line



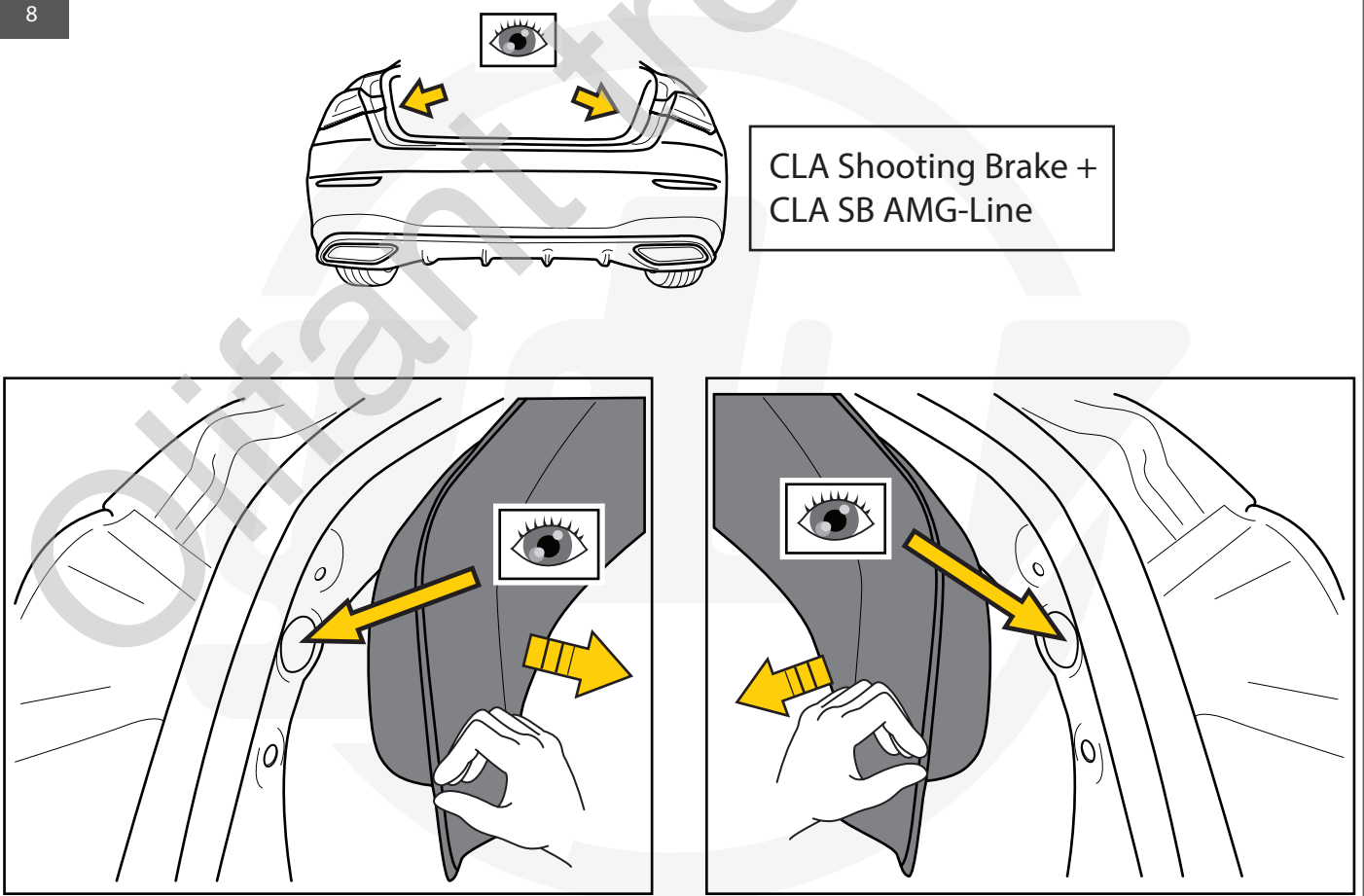
7

CLA Shooting Brake +
CLA SB AMG-Line

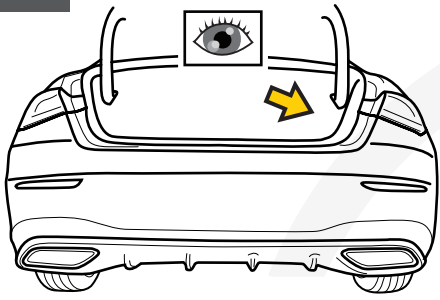


8

CLA Shooting Brake +
CLA SB AMG-Line

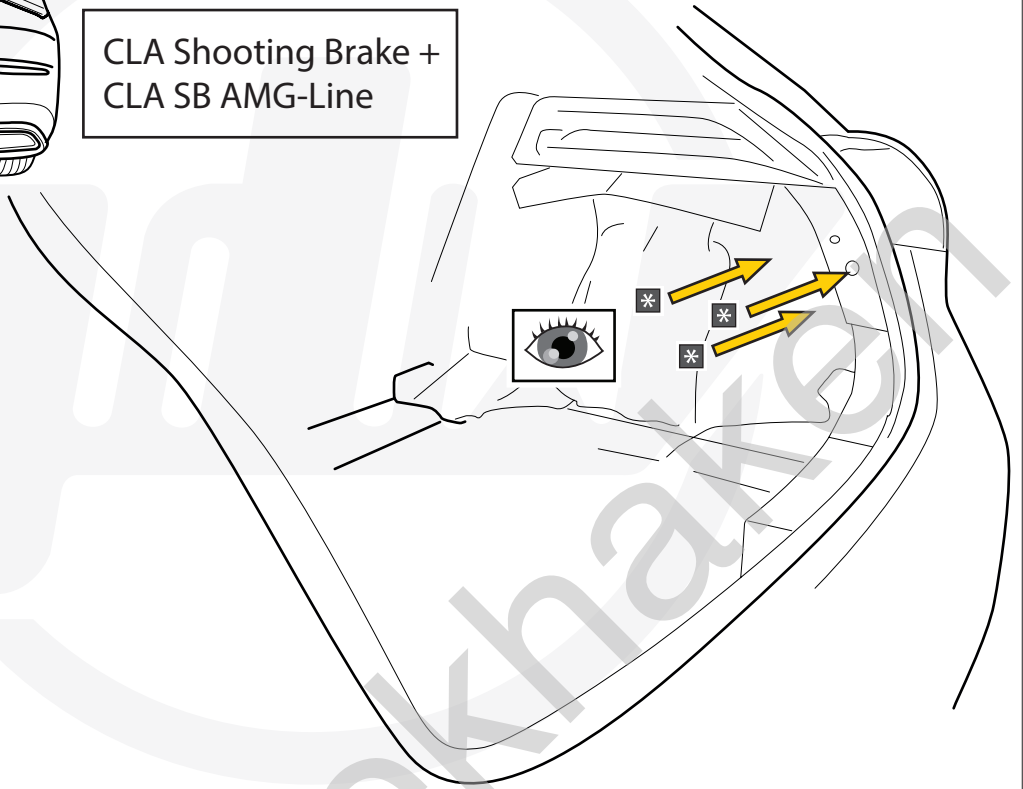
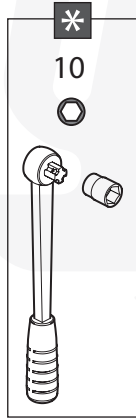


9

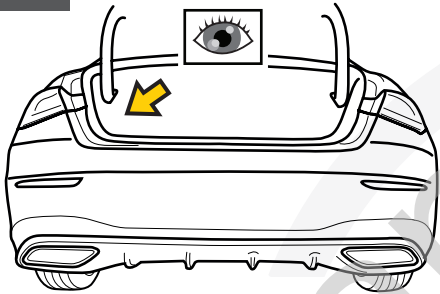


CLA Coupé +
CLA Coupé AMG-Line

CLA Shooting Brake +
CLA SB AMG-Line

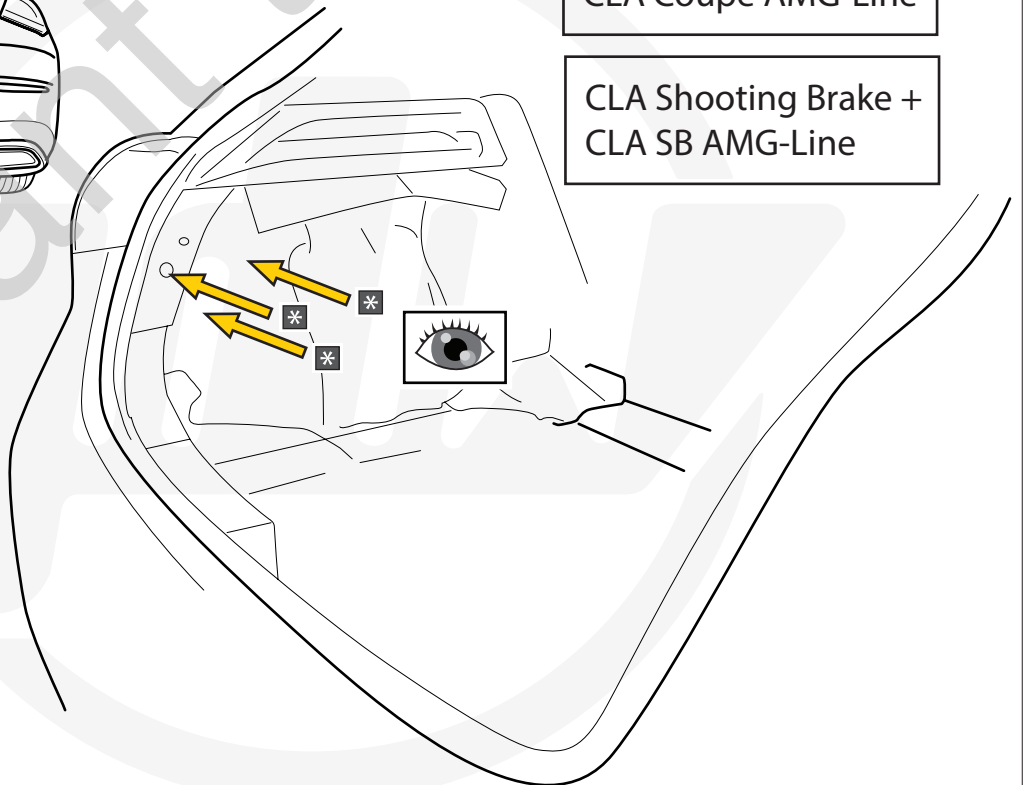
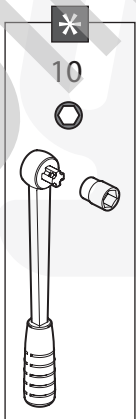


10



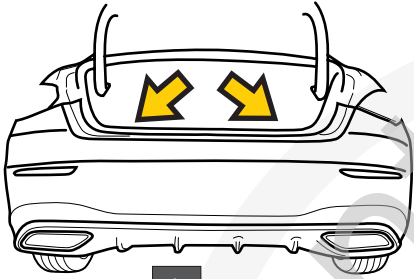
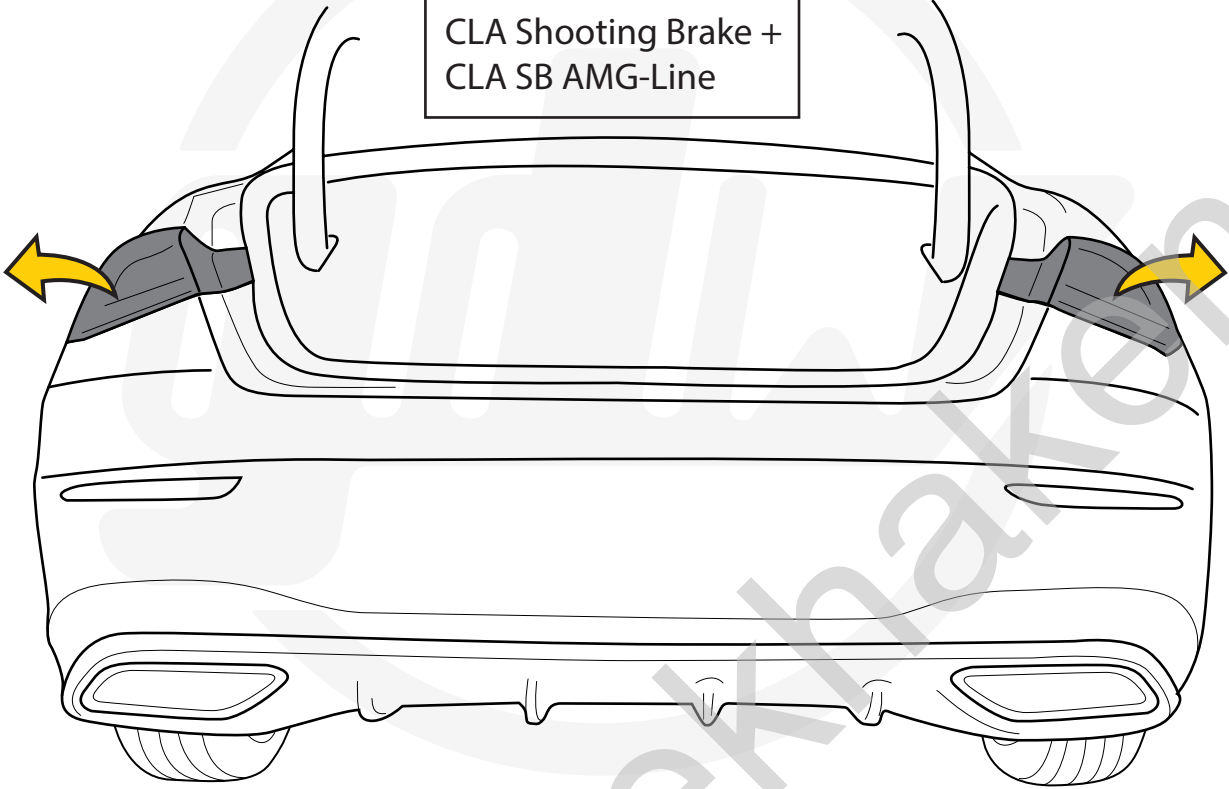
CLA Coupé +
CLA Coupé AMG-Line

CLA Shooting Brake +
CLA SB AMG-Line



CLA Coupé +
CLA Coupé AMG-Line

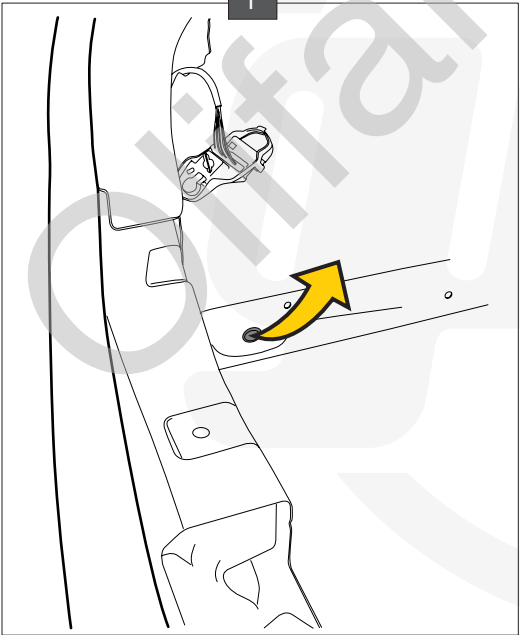
CLA Shooting Brake +
CLA SB AMG-Line



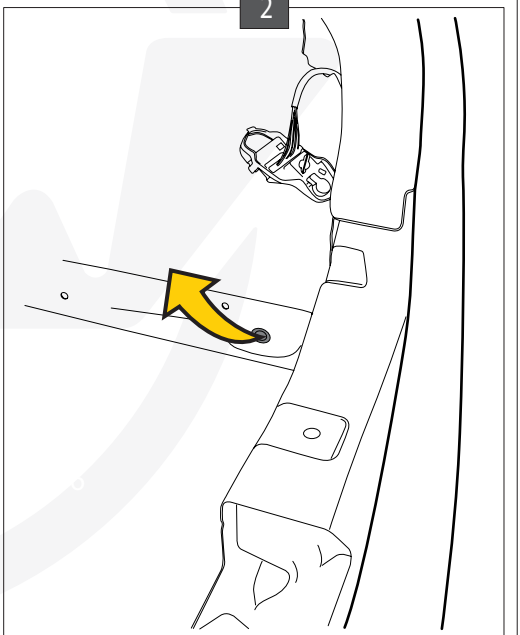
CLA Coupé +
CLA Coupé AMG-Line

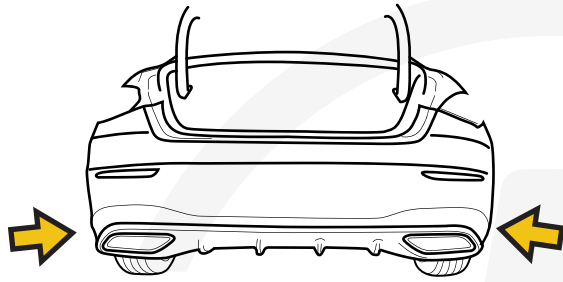
CLA Shooting Brake +
CLA SB AMG-Line

1



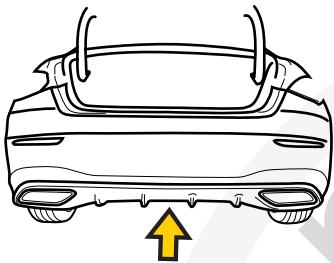
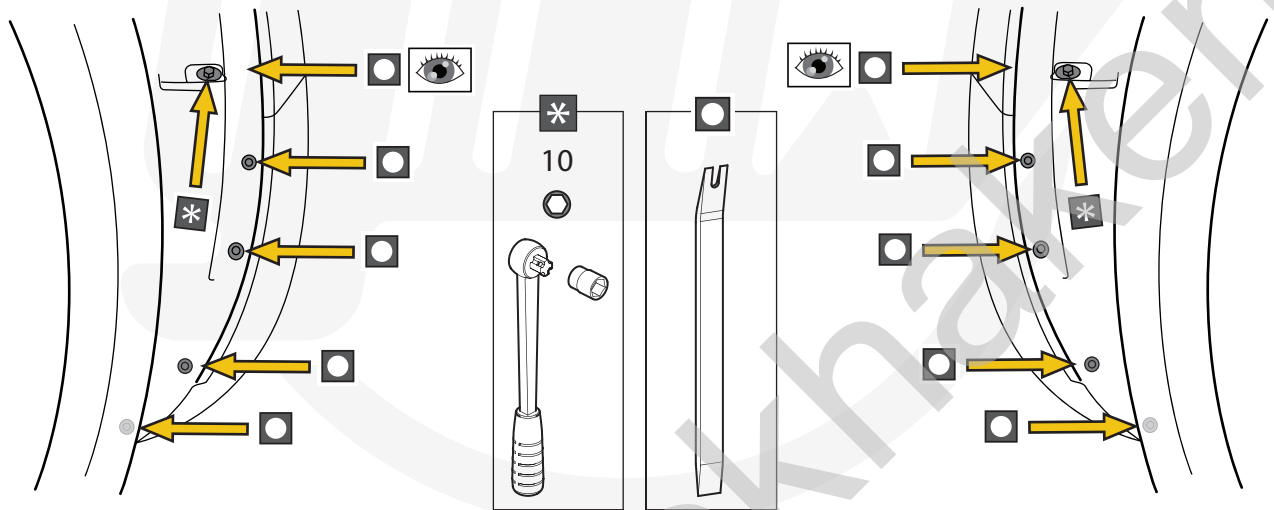
2





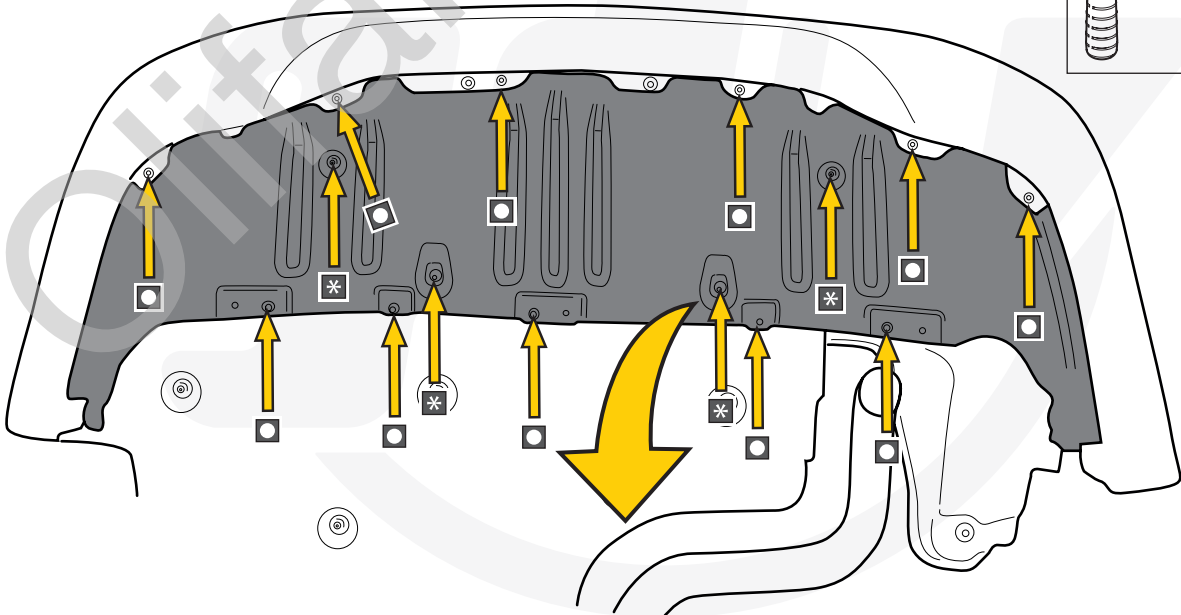
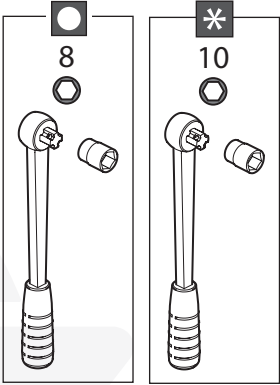
CLA Coupé +
CLA Coupé AMG-Line

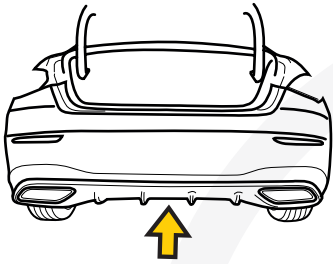
CLA Shooting Brake +
CLA SB AMG-Line



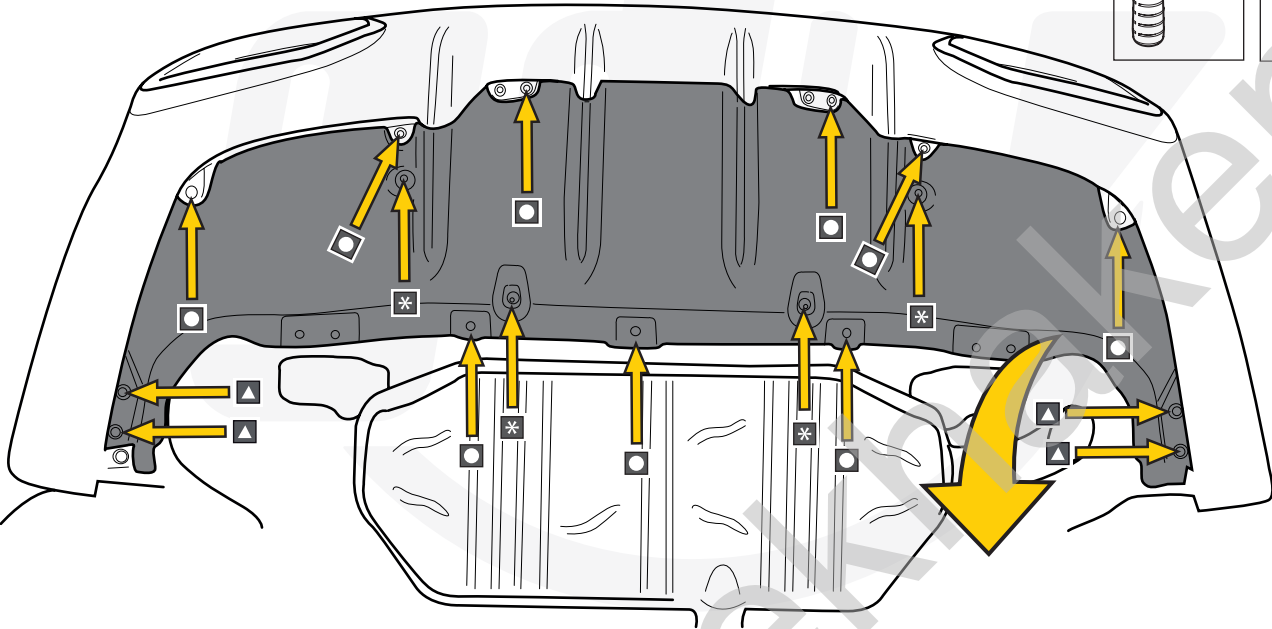
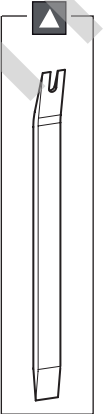
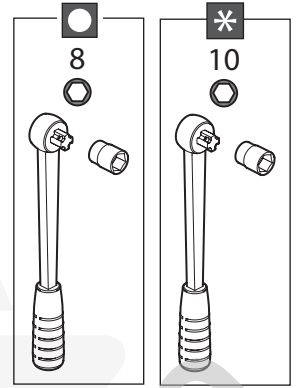
CLA Coupé

CLA Shooting Brake

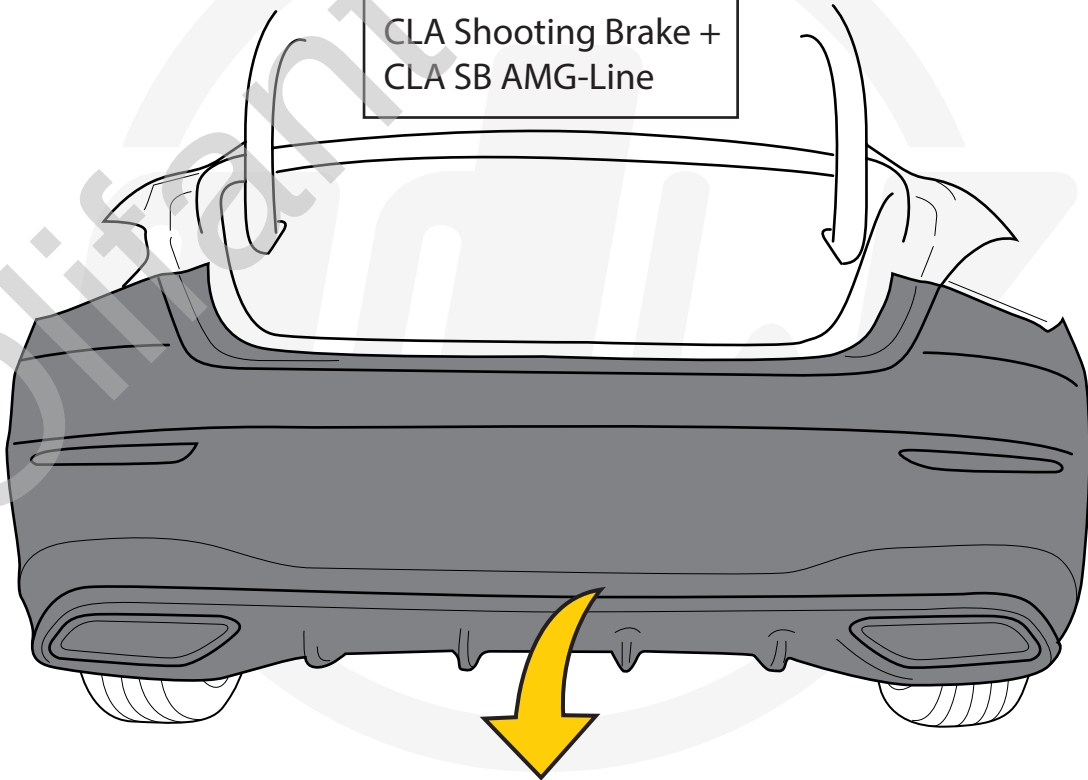


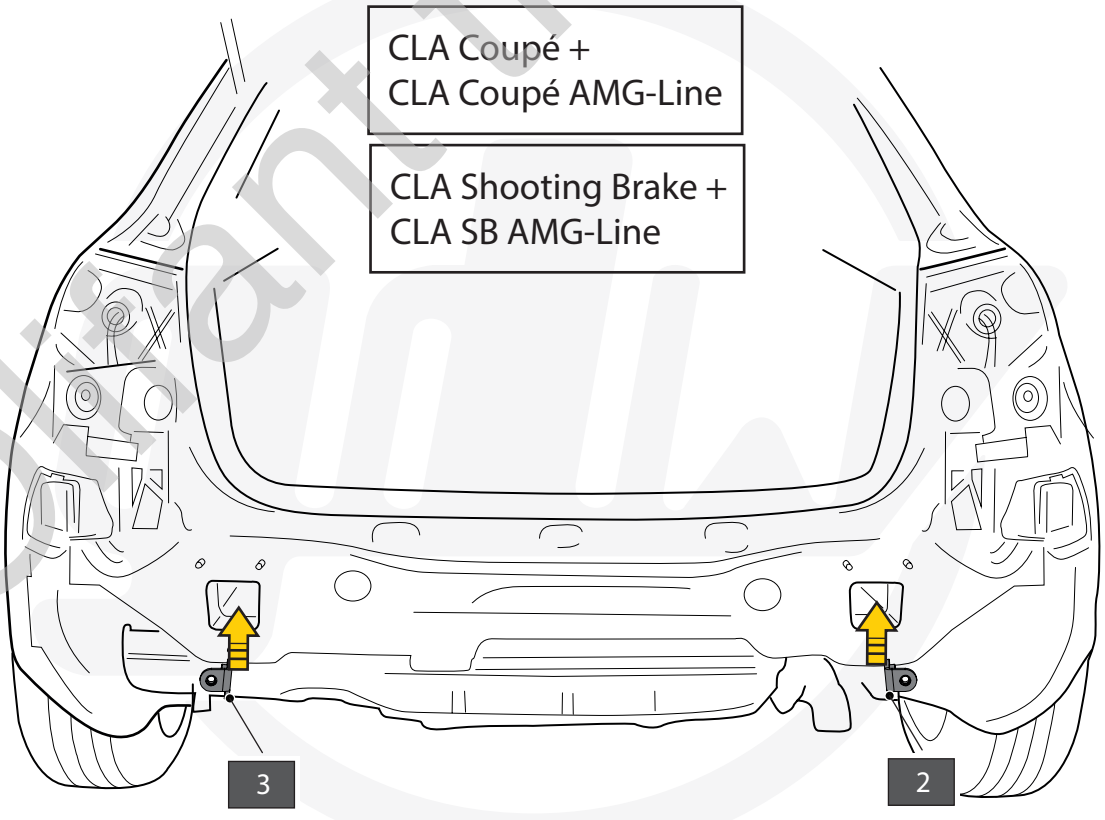
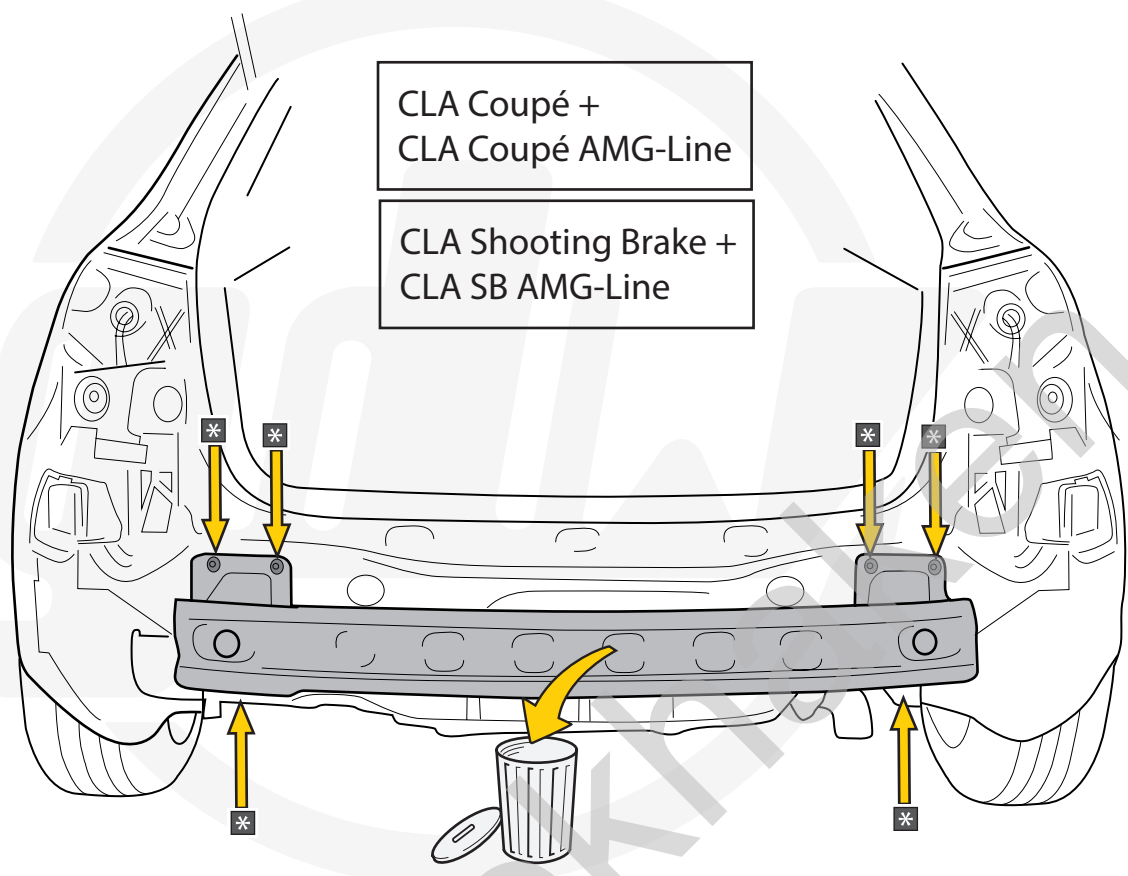
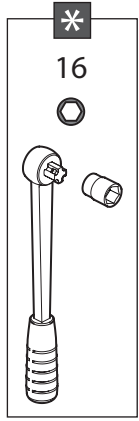


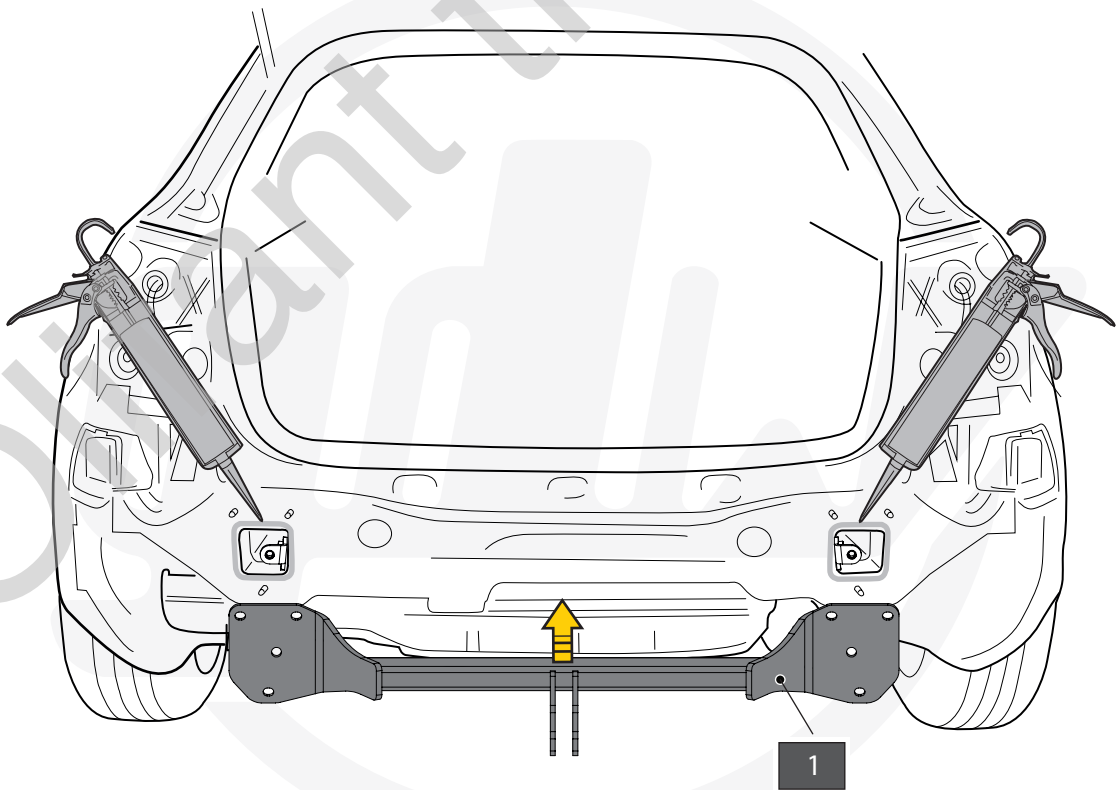
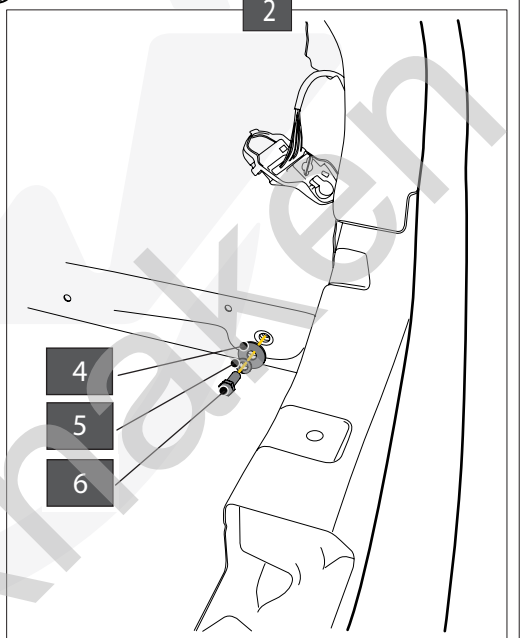
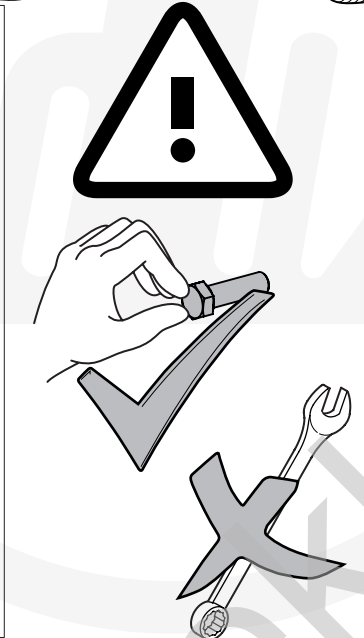
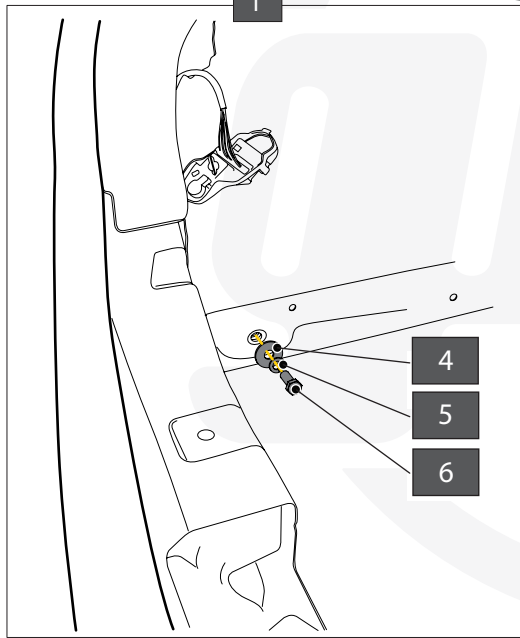
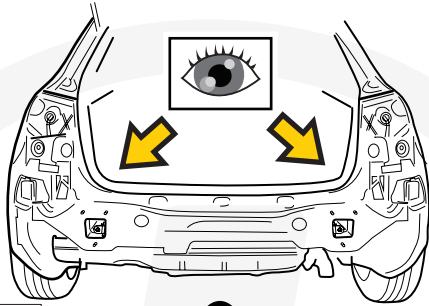
CLA Coupé AMG-Line
CLA SB AMG-Line



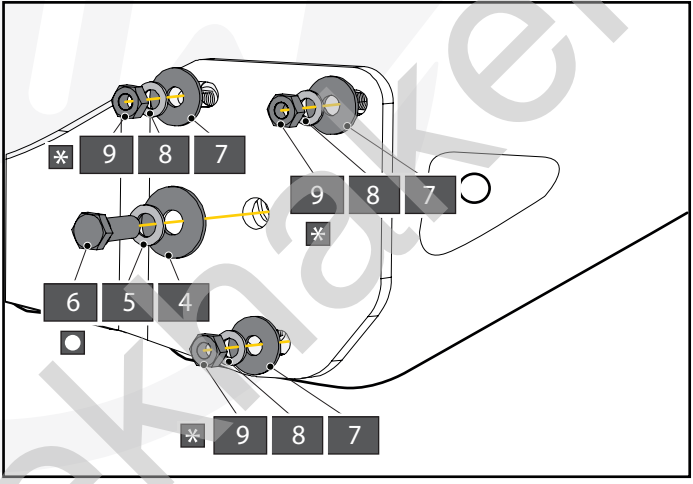
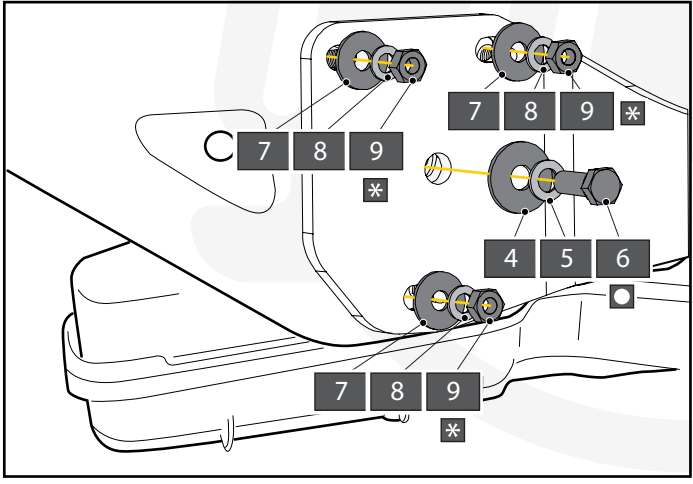
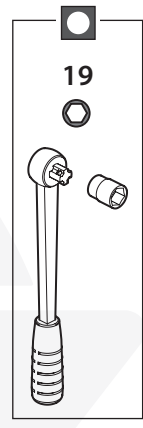
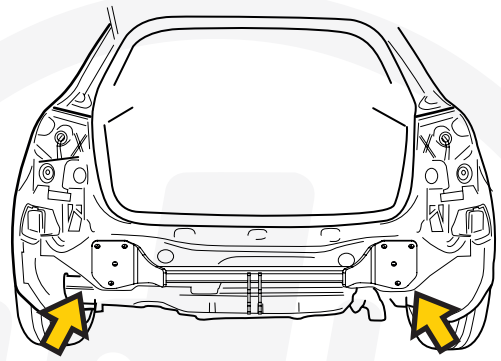
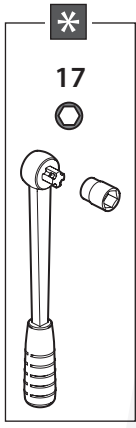
CLA Coupé +
CLA Coupé AMG-Line
CLA Shooting Brake +
CLA SB AMG-Line



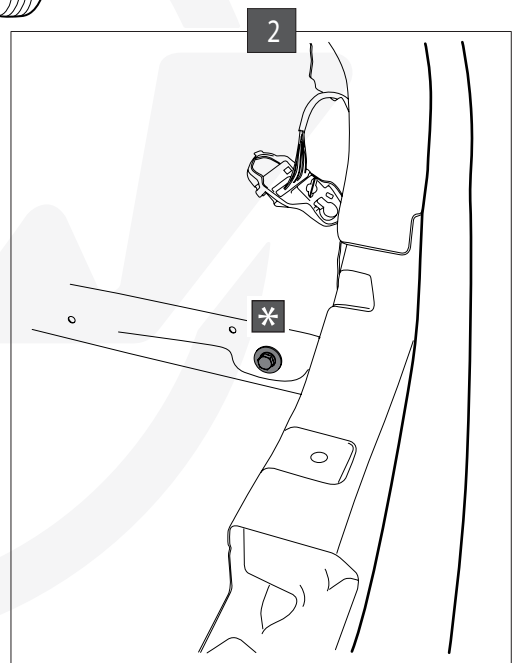
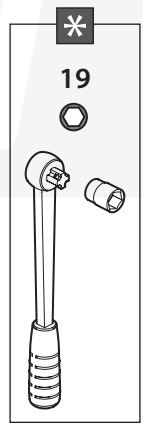
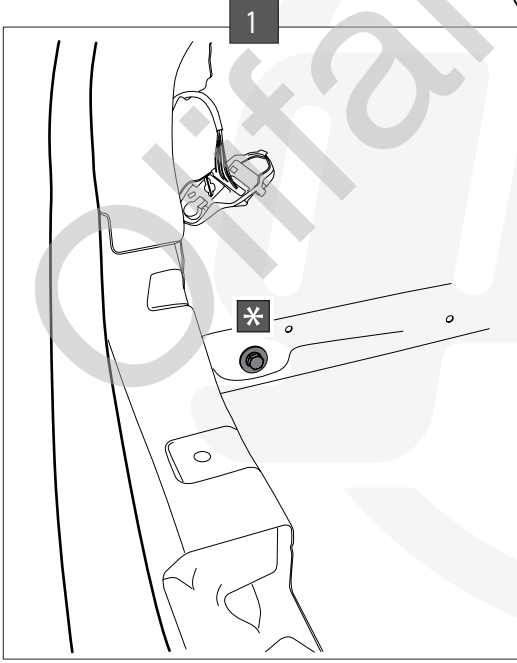
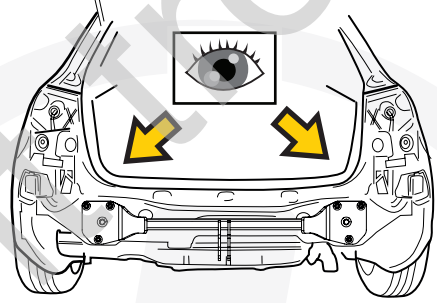




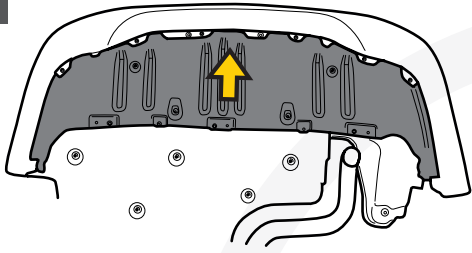
21



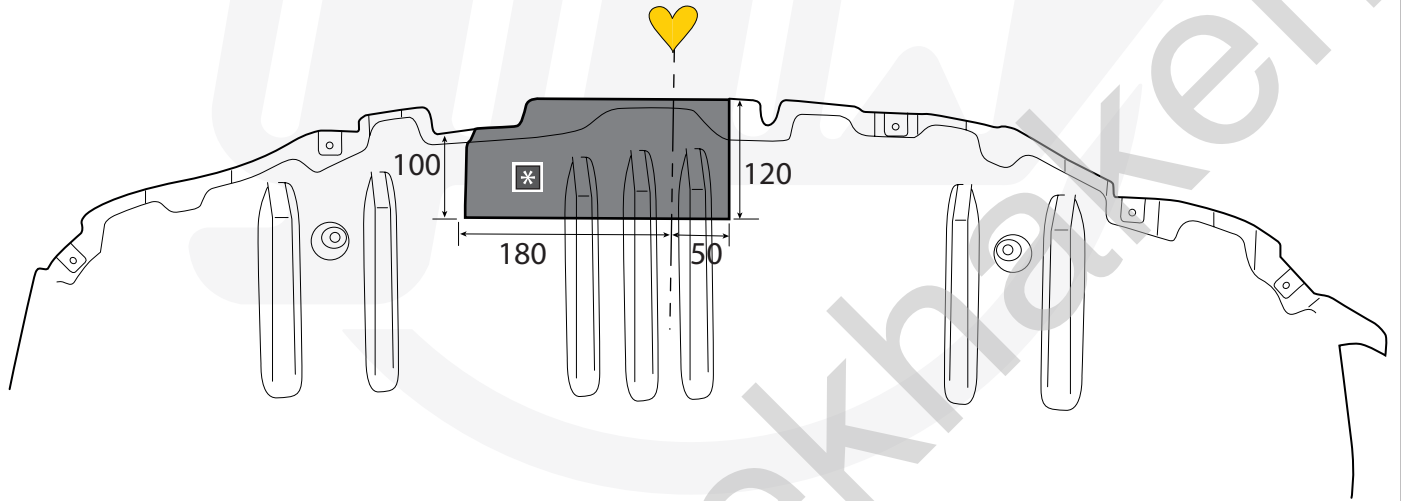
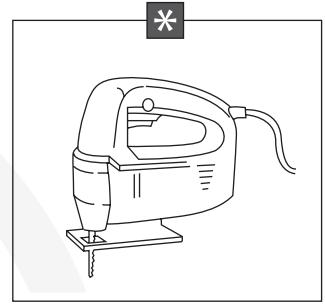
22



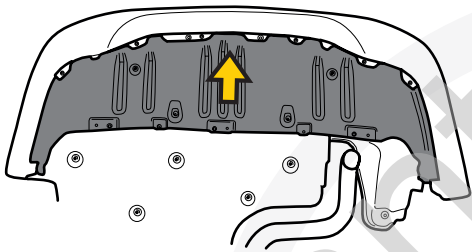
23



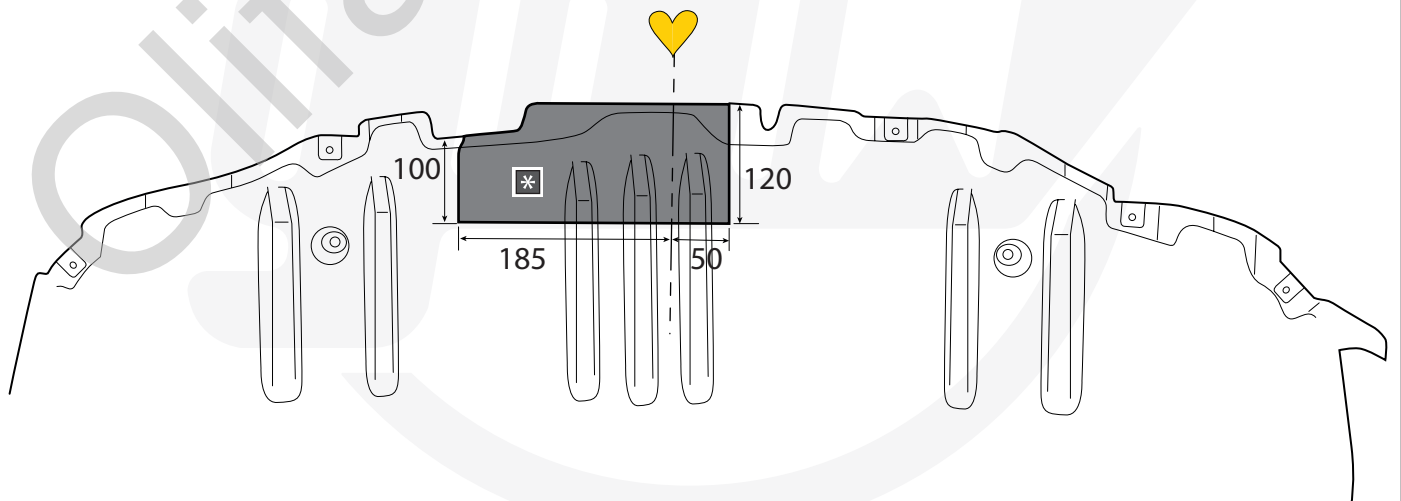
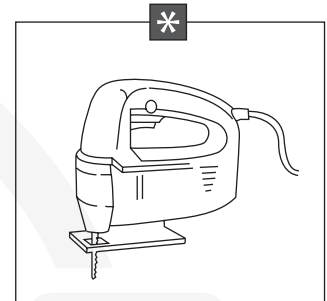
CLA Coupé

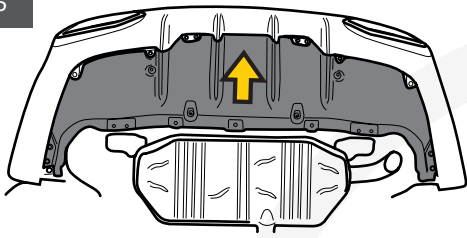


24

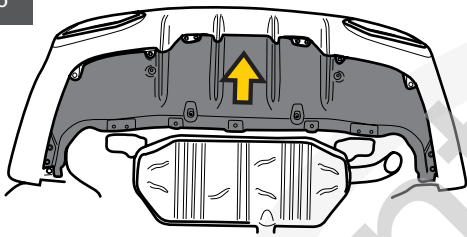
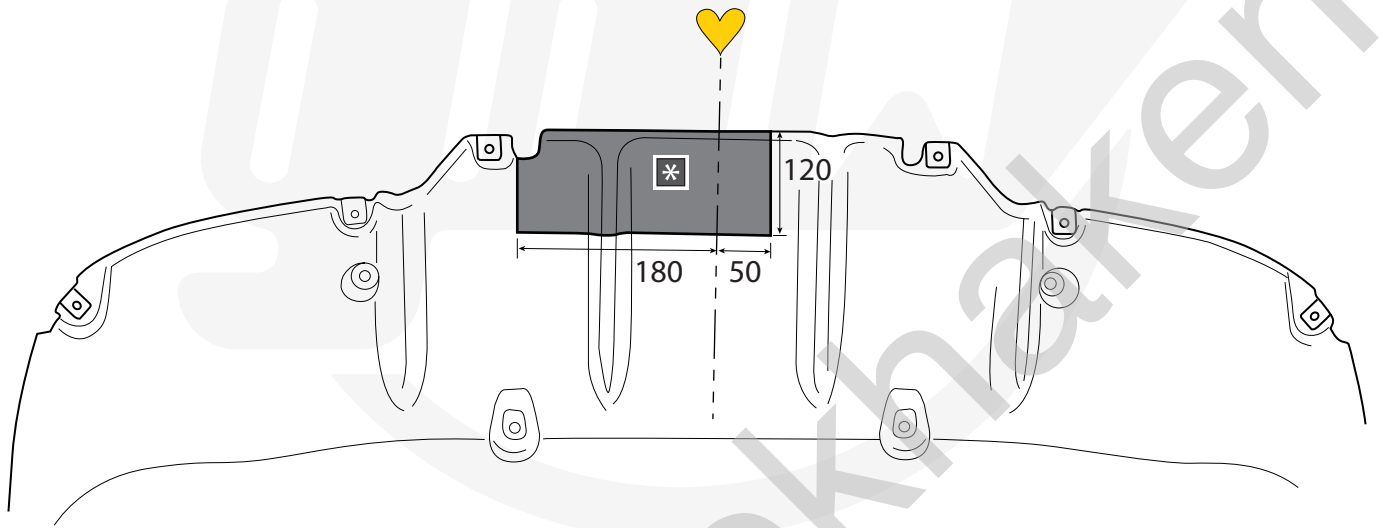
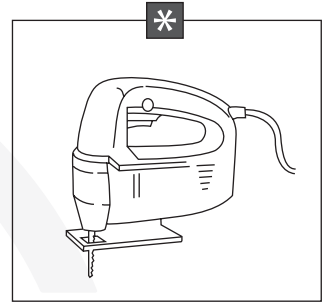


CLA Coupé Shooting Brake

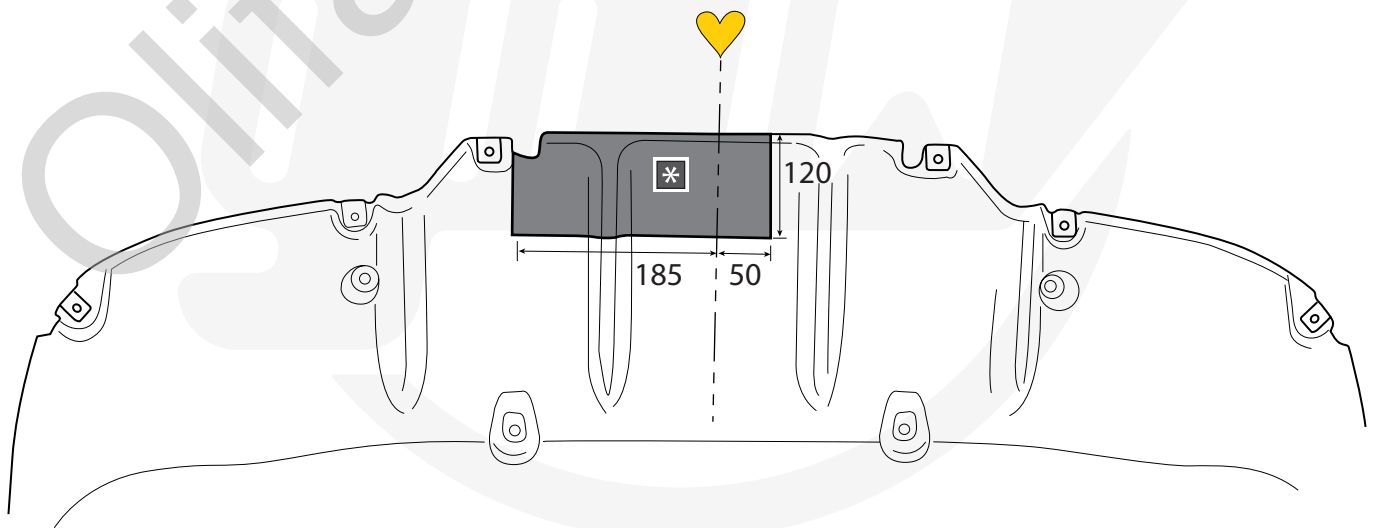
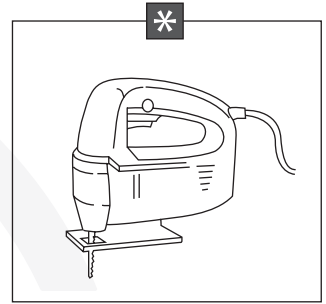




CLA Coupé AMG-Line

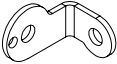




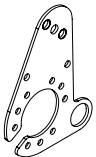
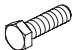


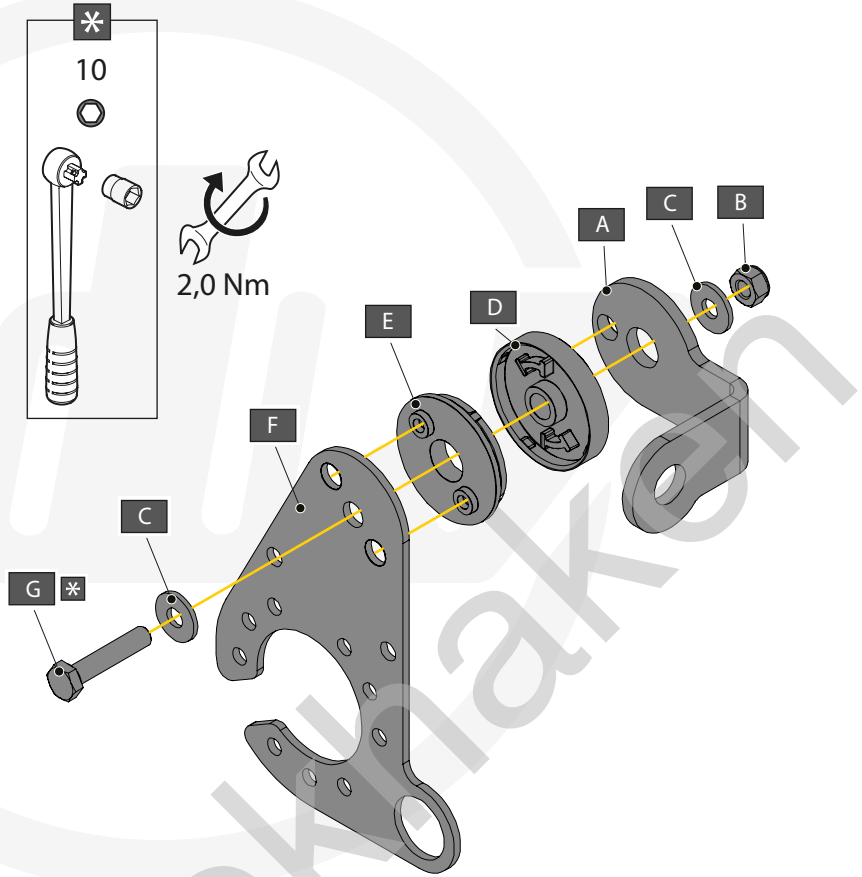
CLA Sh. Br. AMG-Line



CLA Coupé






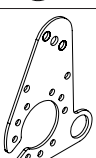

CLA Shooting Brake

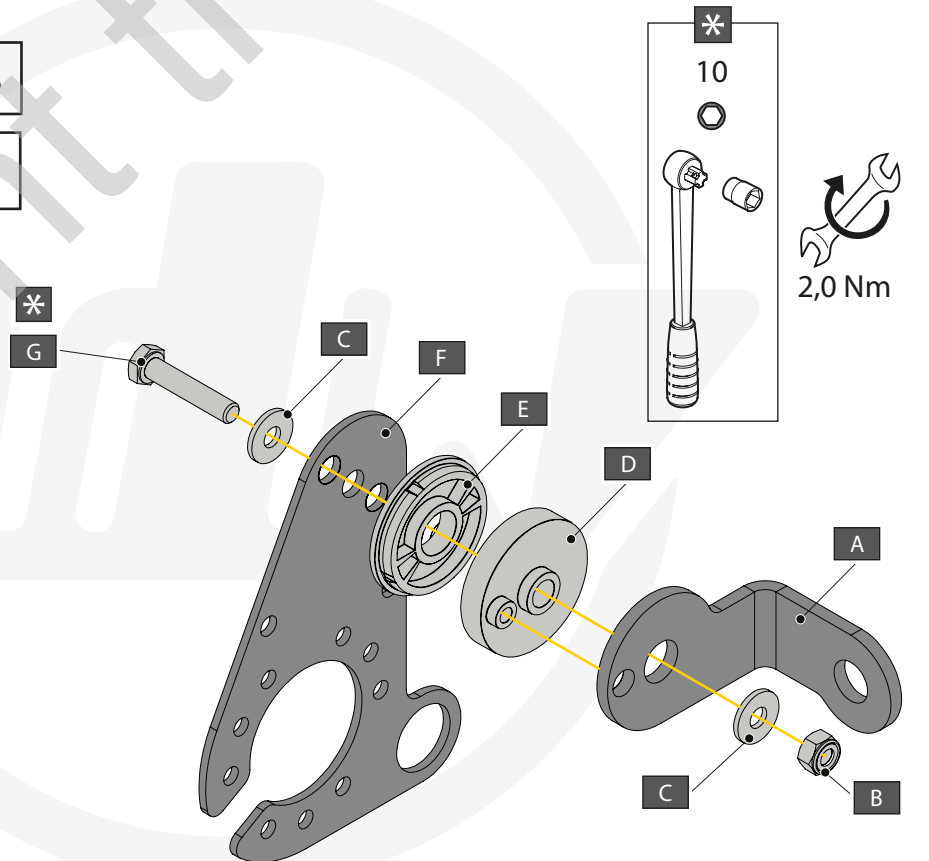
A		X1	GDW REF. 908.095
B		X1	DIN985-M6
C		X2	6,2 X 15,4 X 1,6 (NYLON)
D		X1	GDW REF. 718.16.002
E		X1	GDW REF. 718.16.003
F		X1	GDW REF. 908.094
G		X1	DIN933-M6 X 30

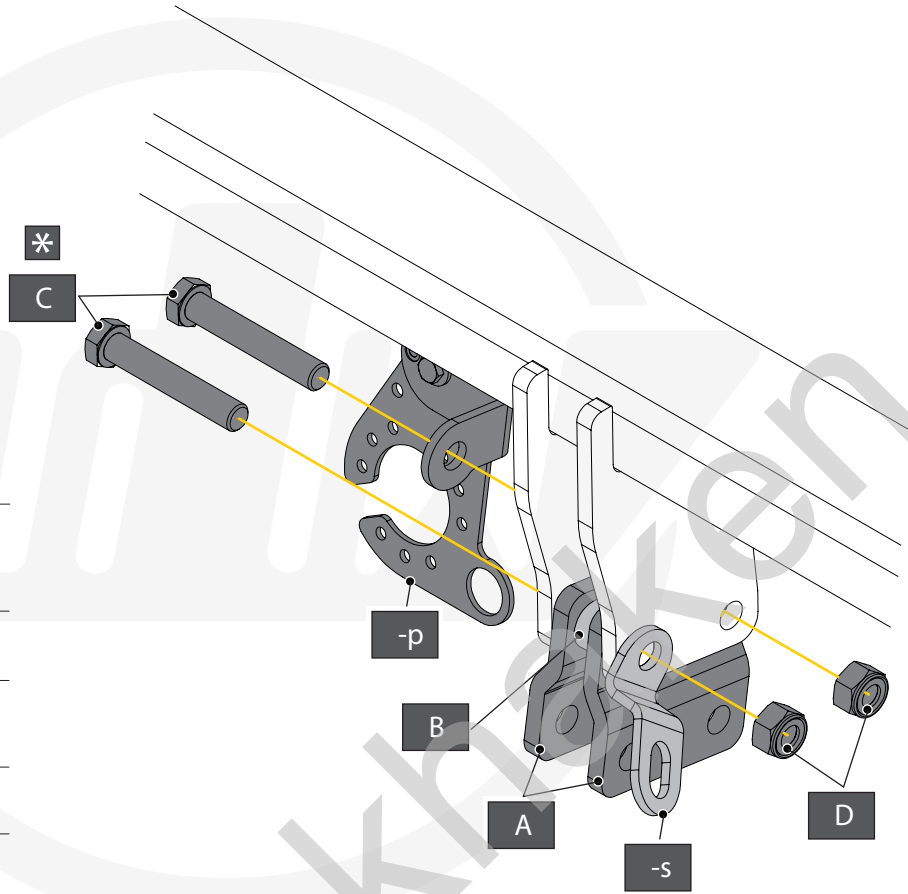
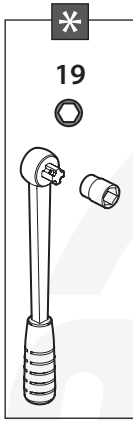


CLA Coupé AMG-Line

CLA SB AMG-Line

A		X1	GDW REF. 908.095
B		X1	DIN985-M6
C		X2	6,2 X 15,4 X 1,6 (NYLON)
D		X1	GDW REF. 718.16.002
E		X1	GDW REF. 718.16.003
F		X1	GDW REF. 908.094
G		X1	DIN933-M6 X 30



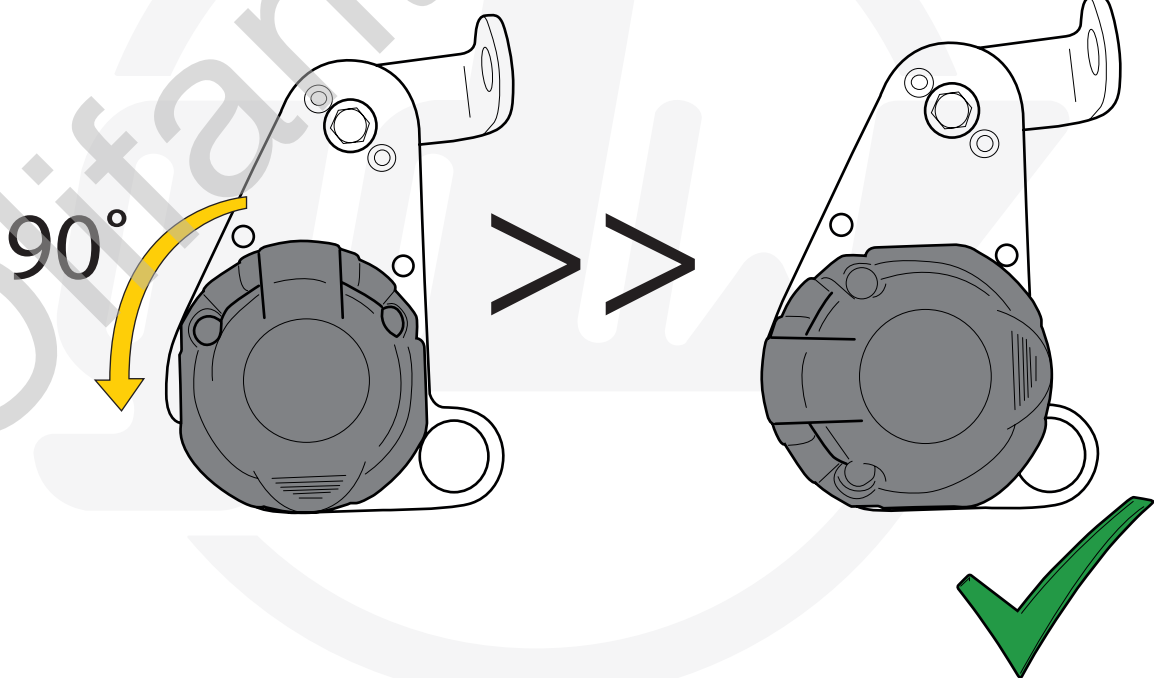


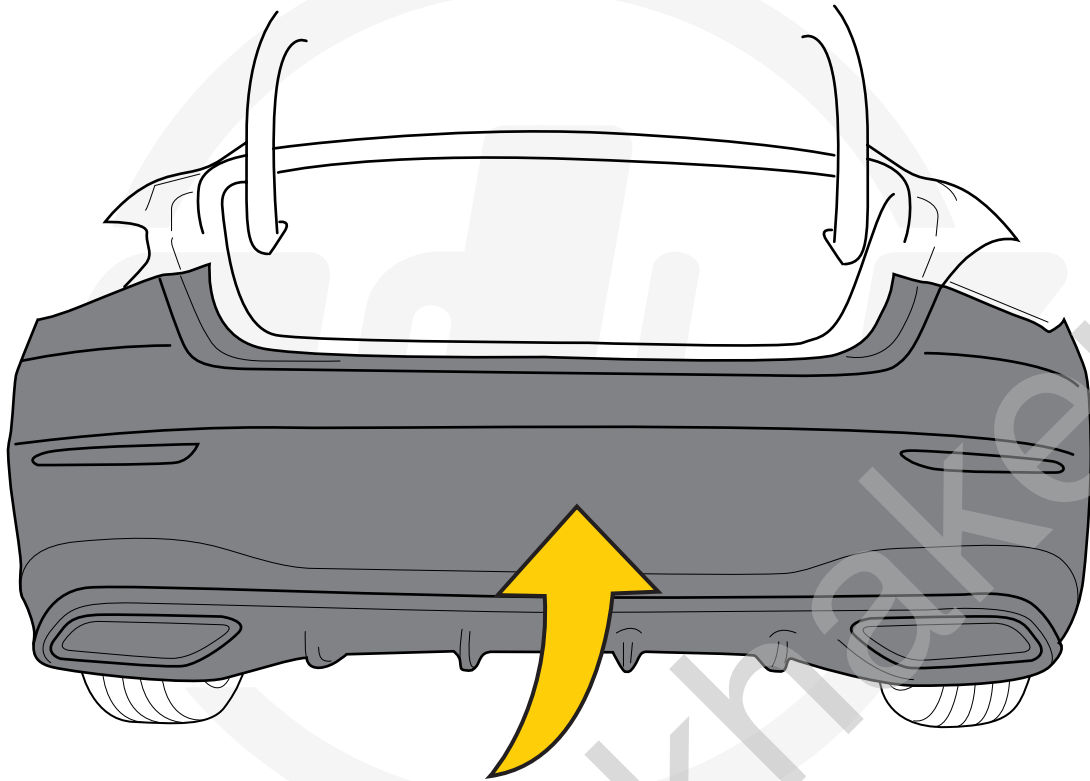
A		X2	GDW REF. 900.008
B		X2	GDW REF. 900.011 Ø 21.3 X 11.7
C		X2	DIN931-M12 X 70
D		X2	DIN985-M12
-S		X1	GDW REF. 900.053



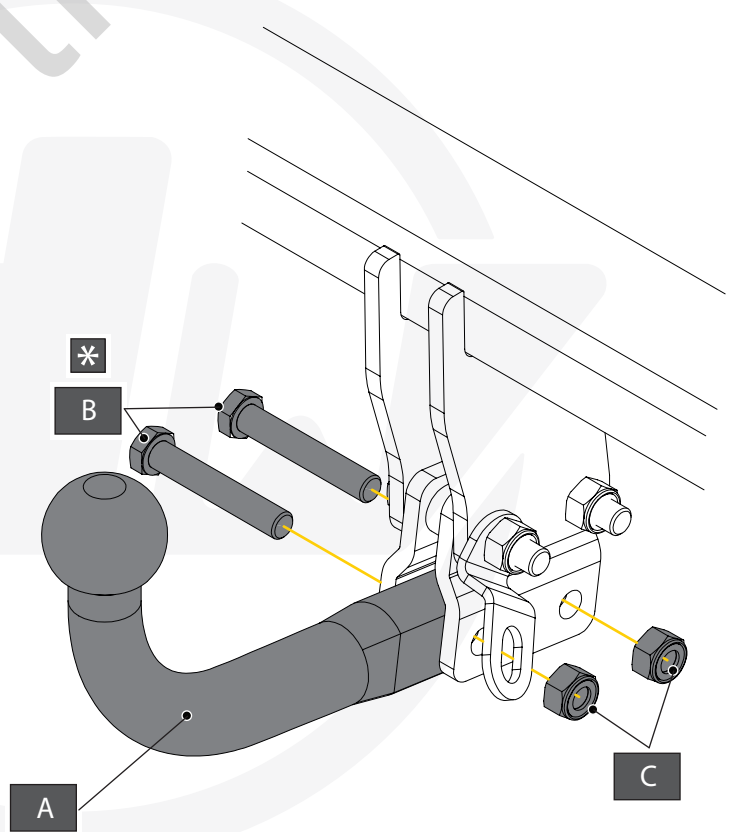
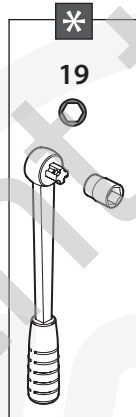
CLA Coupé AMG-Line

CLA SB AMG-Line





93,0 Nm



- | | | | |
|---|--|----|-----------------|
| A | | X1 | 944.M000 |
| B | | X2 | DIN931-M12 X 70 |
| C | | X2 | DIN985-M12 |

