

## Citroen C3 Aircross

(2017 - →)

C-057

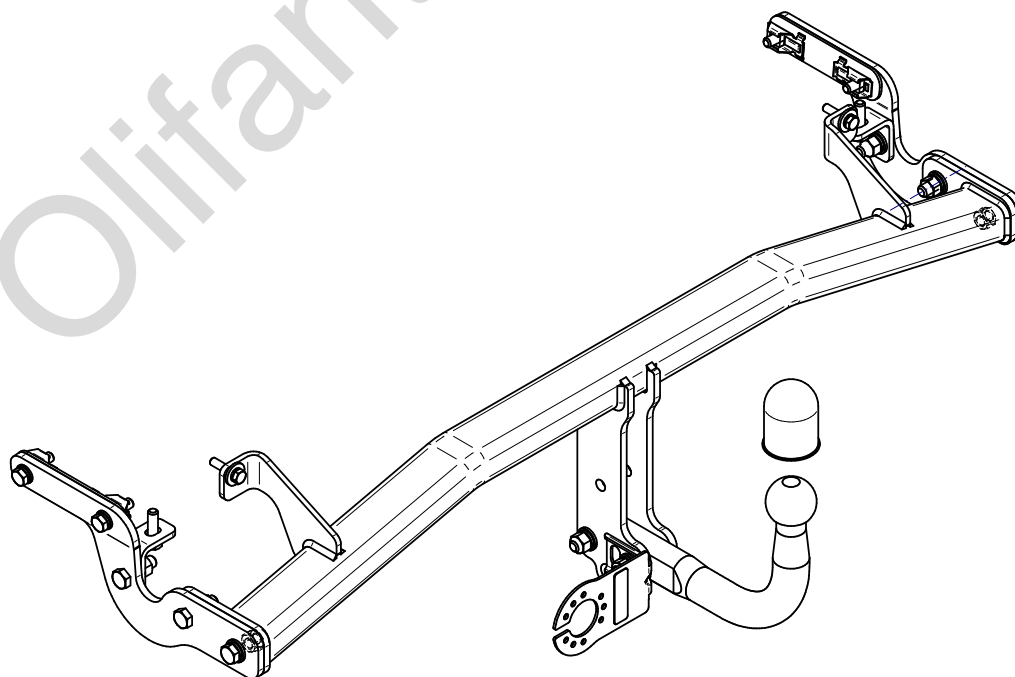
- PL** **Zaczep Kulowy** Instrukcja montażu i eksploatacji
- GB** **Tow bar** Installation and operating instructions
- D** **Die Anhängerkupplung** Montage- und Gebrauchsanleitung
- ES** **Gancho de remolque** Las instrucciones de instalación y de operación
- RU** **Фаркоп** Инструкция по установке и эксплуатации ТСУ
- FR** **Attelage** Notice de montage et d'utilisation
- IT** **Gancio traino** Istruzioni di montaggio
- CZ** **Tažné zařízení** Návod na montáž a použití
- RO** **Cârlig de remorcare** Instrucția de montaj și exploatare
- SE** **Dragkulan** Monterings- och bruksanvisningar.



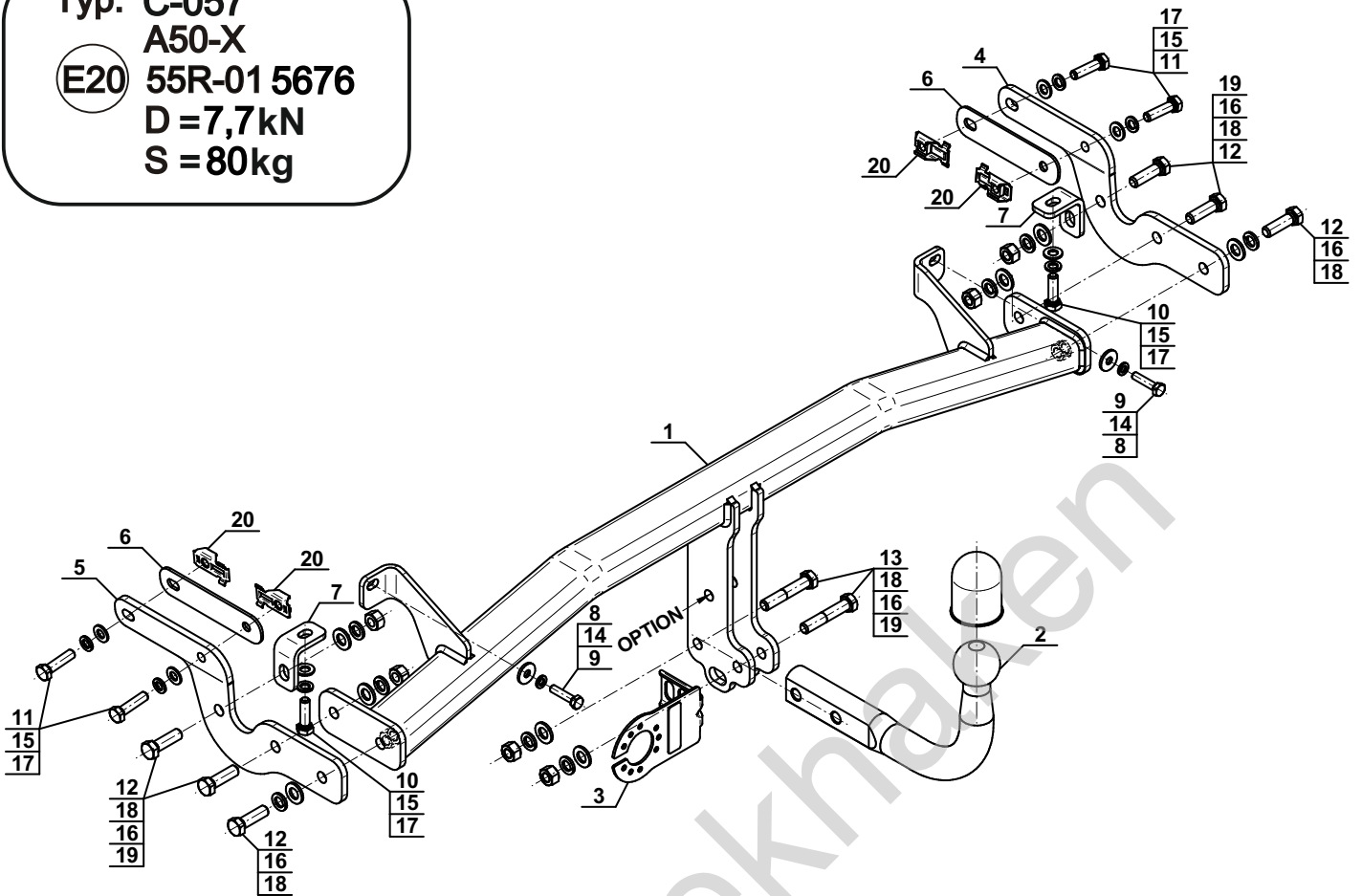
YES  NO



YES  NO



Typ: C-057  
 A50-X  
 (E20) 55R-01 5676  
 D = 7,7kN  
 S = 80kg



|   |  |    |
|---|--|----|
| 1 |  | x1 |
| 2 |  | x1 |
| 3 |  | x1 |
| 4 |  | x1 |
| 5 |  | x1 |
| 6 |  | x2 |

|    |  |                           |    |
|----|--|---------------------------|----|
| 7  |  |                           | x2 |
| 8  |  | Ø24/Ø8,5x2,5              | x2 |
| 9  |  | M8x35 (PN/M-82105) (8.8)  | x2 |
| 10 |  | M10x35 (PN/M-82105) (8.8) | x2 |
| 11 |  | M10x40 (PN/M-82105) (8.8) | x4 |
| 12 |  | M12x40 (PN/M-82105) (8.8) | x6 |
| 13 |  | M12x65 (PN/M-82101) (8.8) | x2 |
| 14 |  | Ø8,2                      | x2 |
| 15 |  | Ø10,2                     | x6 |
| 16 |  | Ø12,2                     | x8 |
| 17 |  | Ø10,5                     | x6 |
| 18 |  | Ø13,0                     | x8 |
| 19 |  | M12 (8)                   | x6 |
| 20 |  | M10 (CH-006.01)           | x4 |

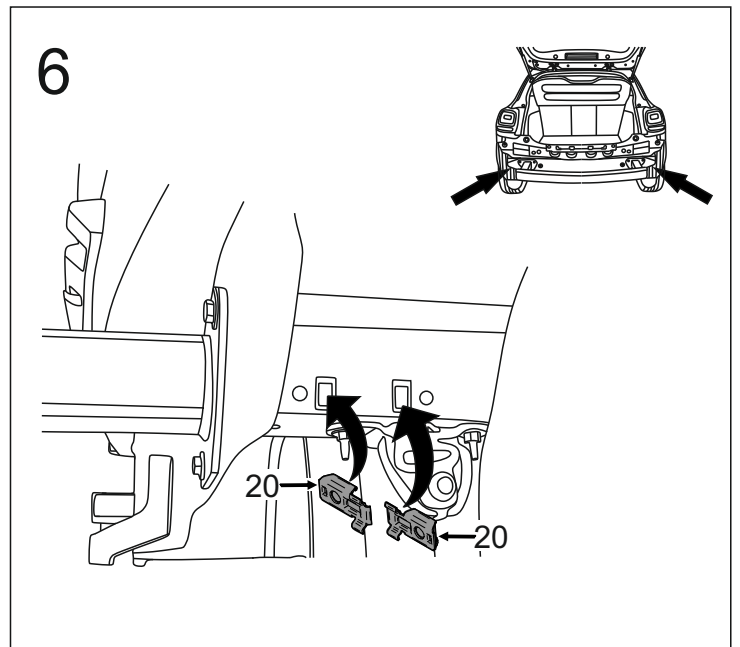
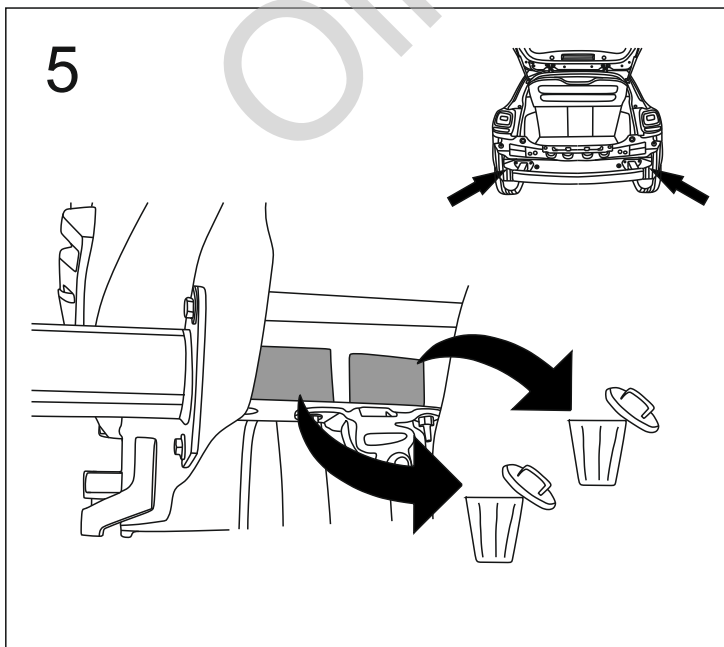
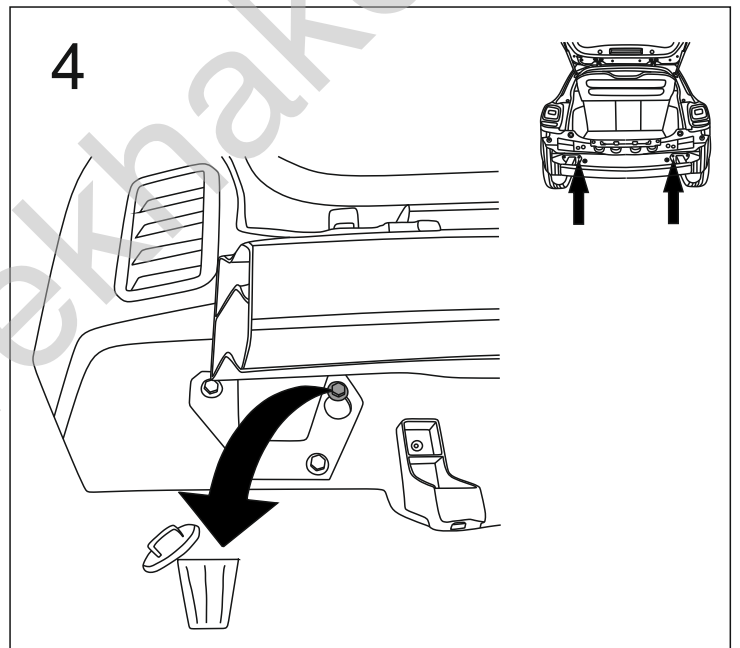
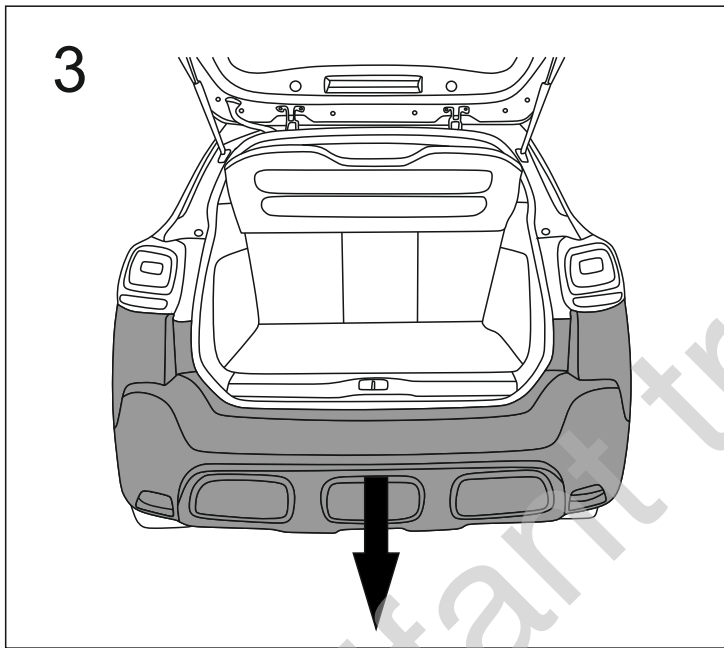
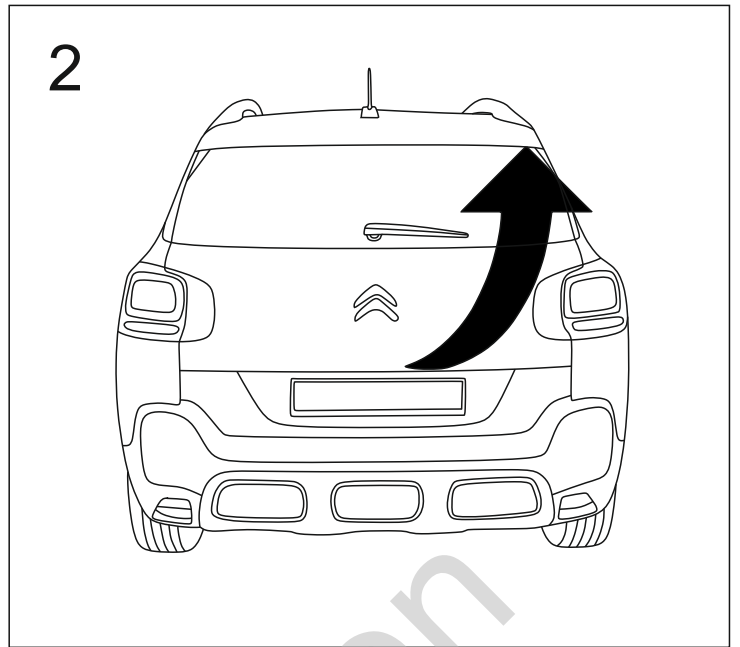
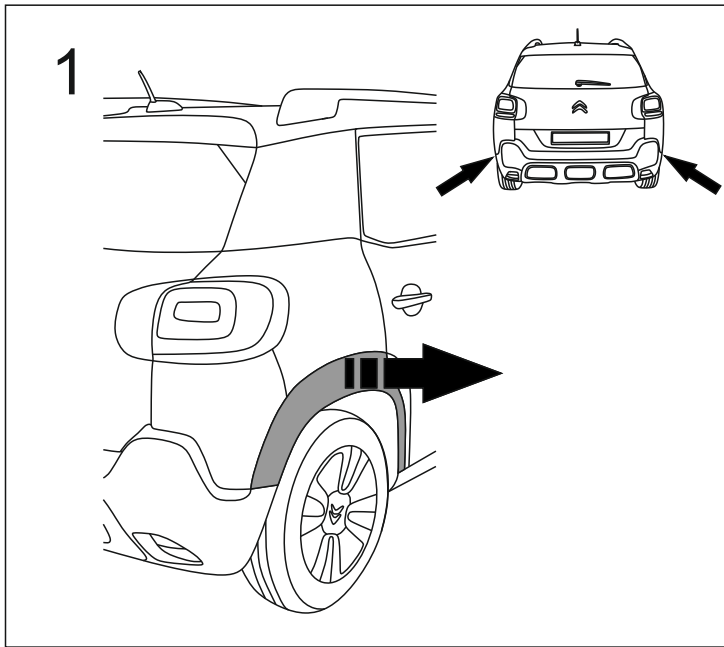
**OPTION**

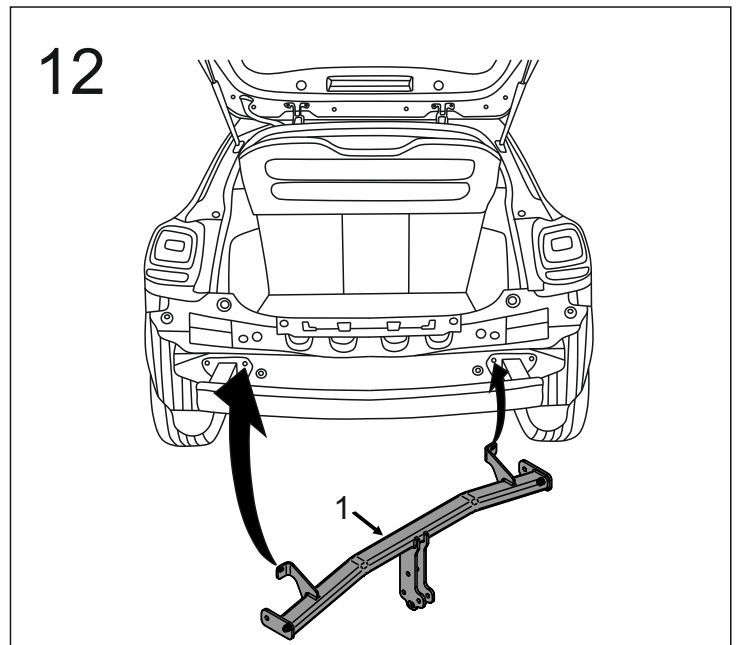
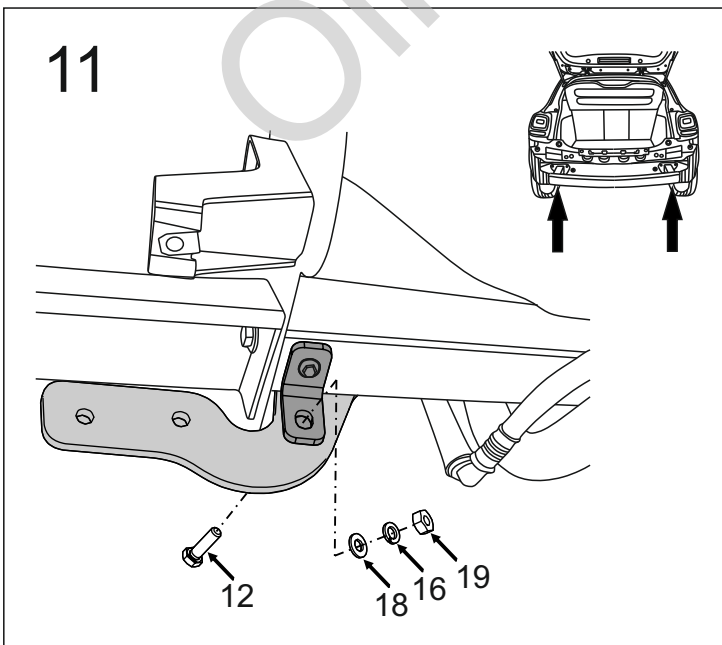
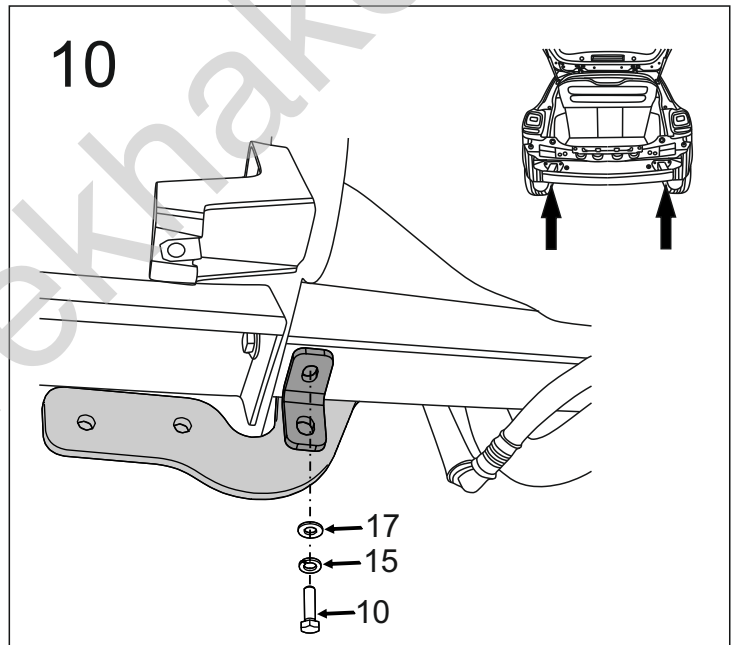
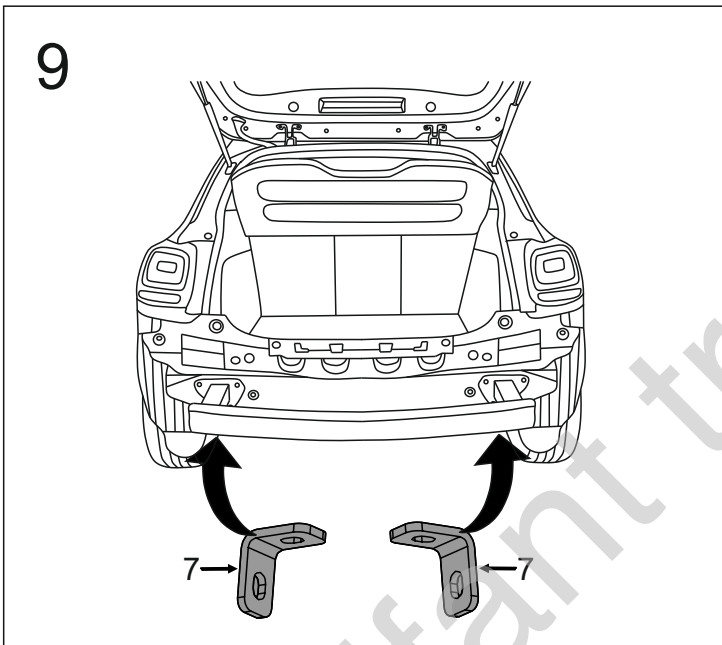
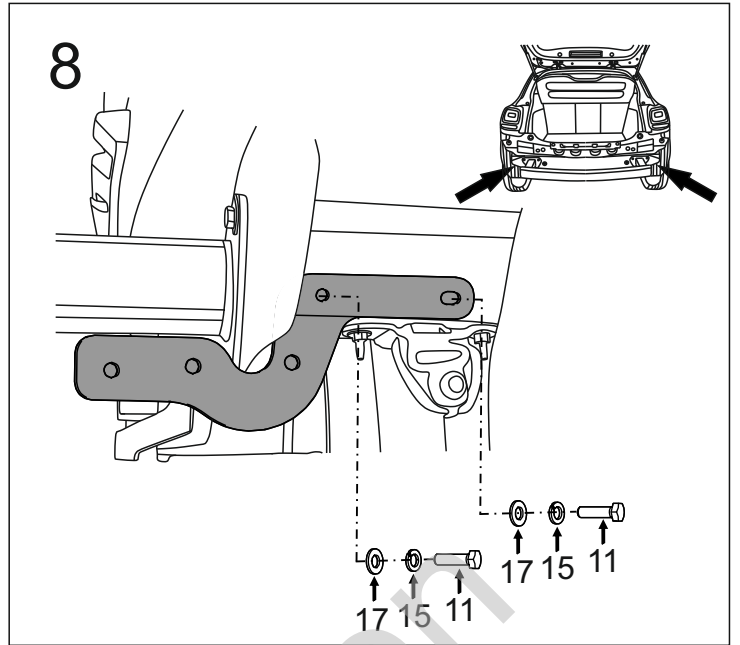
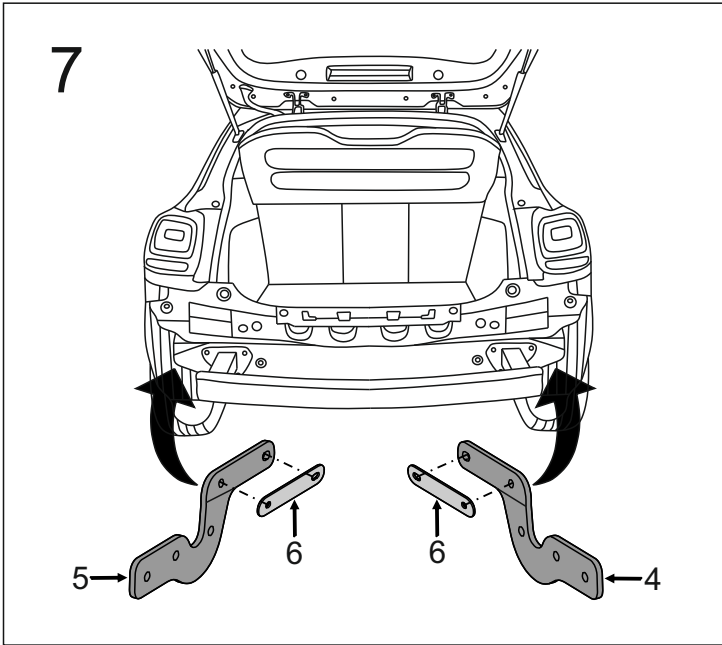
|  |    |  |        |    |  |       |
|--|----|--|--------|----|--|-------|
|  | 1x |  | M12x35 | 1x |  | Ø12,2 |
|  | 1x |  | Ø13,0  | 1x |  | M12   |

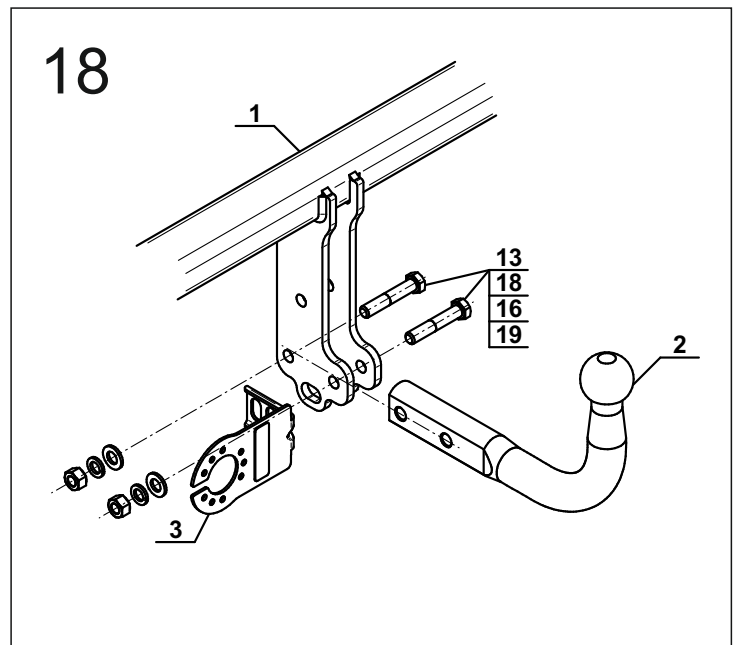
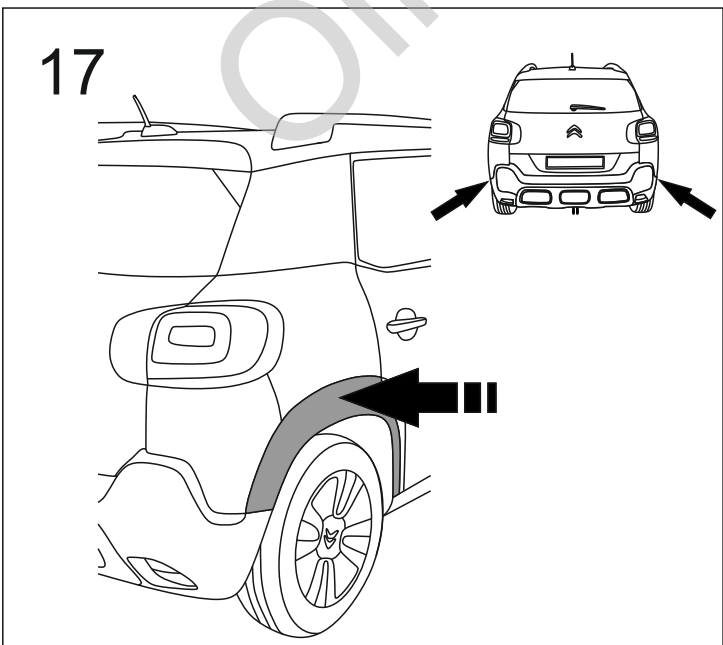
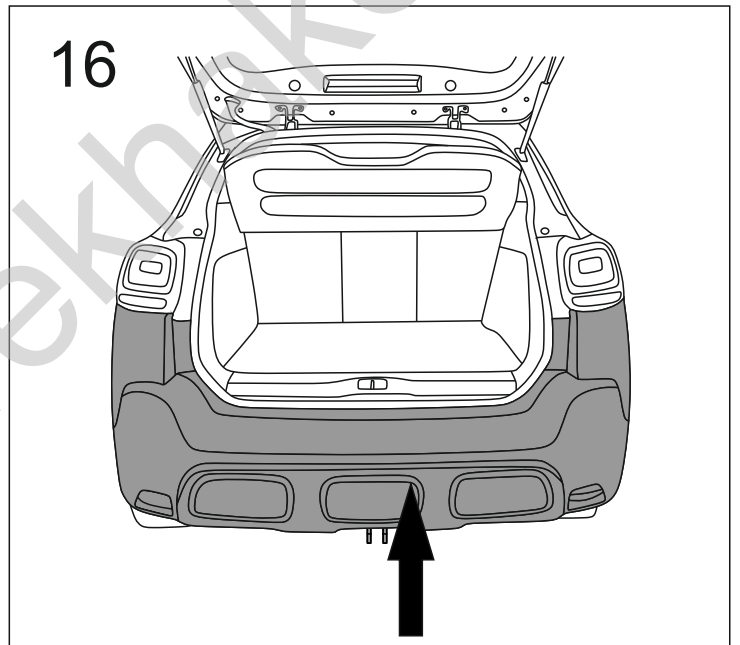
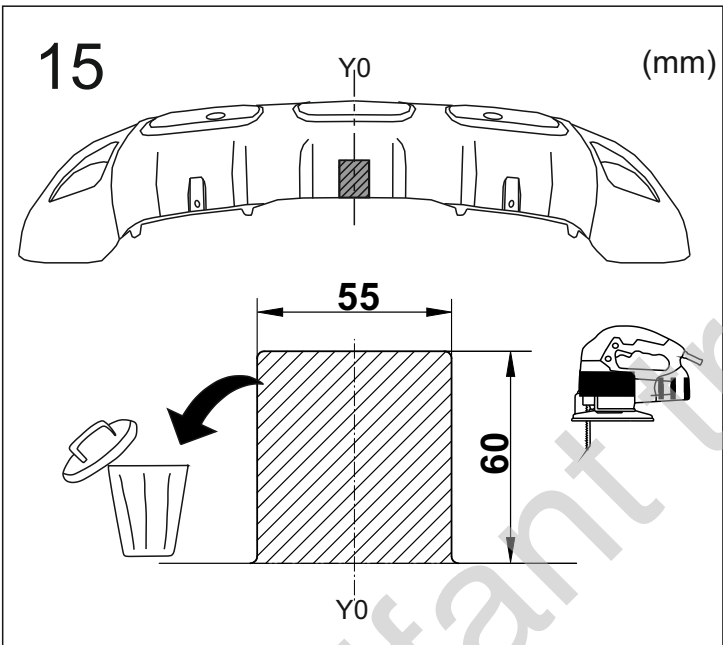
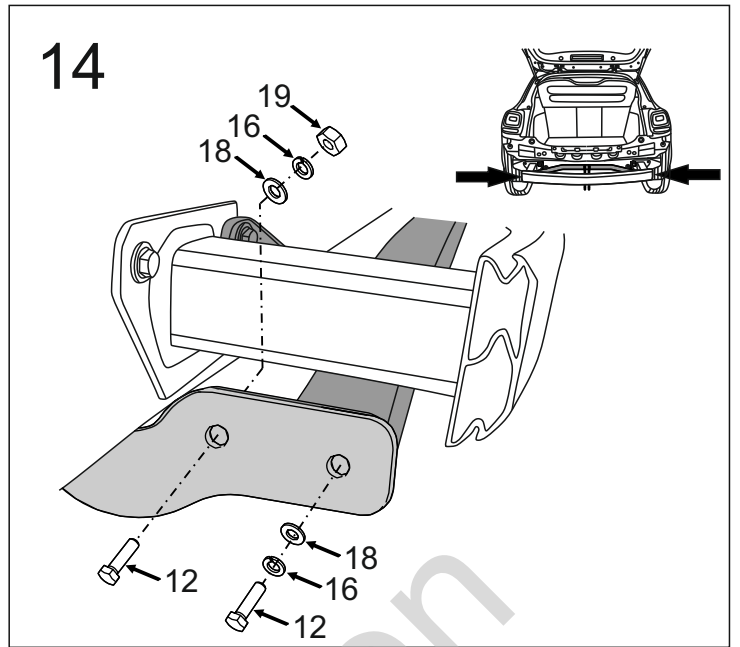
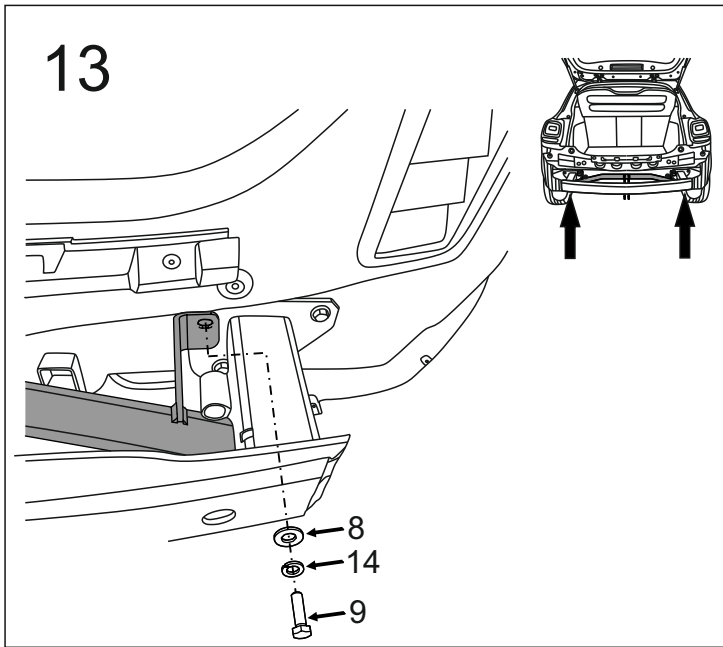
(CZ-050.00)



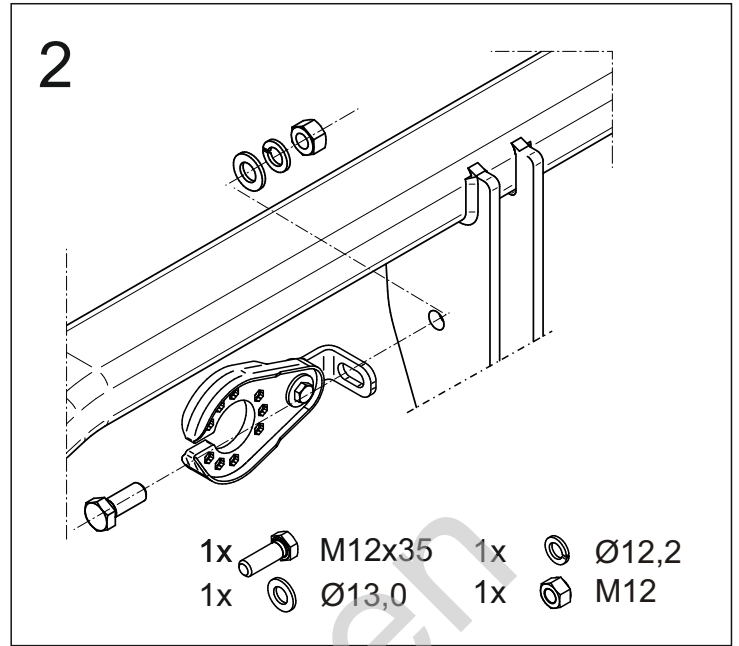
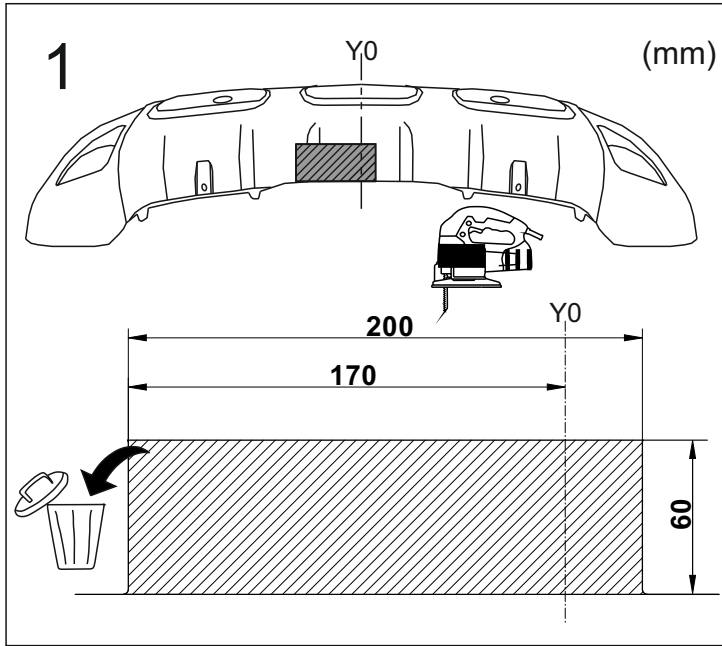
| 8.8           |                |
|---------------|----------------|
| M6 - 10 (Nm)  | M12 - 85 (Nm)  |
| M8 - 25 (Nm)  | M14 - 135 (Nm) |
| M10 - 50 (Nm) | M16 - 200 (Nm) |







# OPTION



Olifant trekhaken