

**Audi A3 Sportback (8YA),
(+S line), (+Hybrid)**

(11/2019 - →)

A-125

**Audi A3 4D (8YS),
(+S line)**

(04/2020 - →)

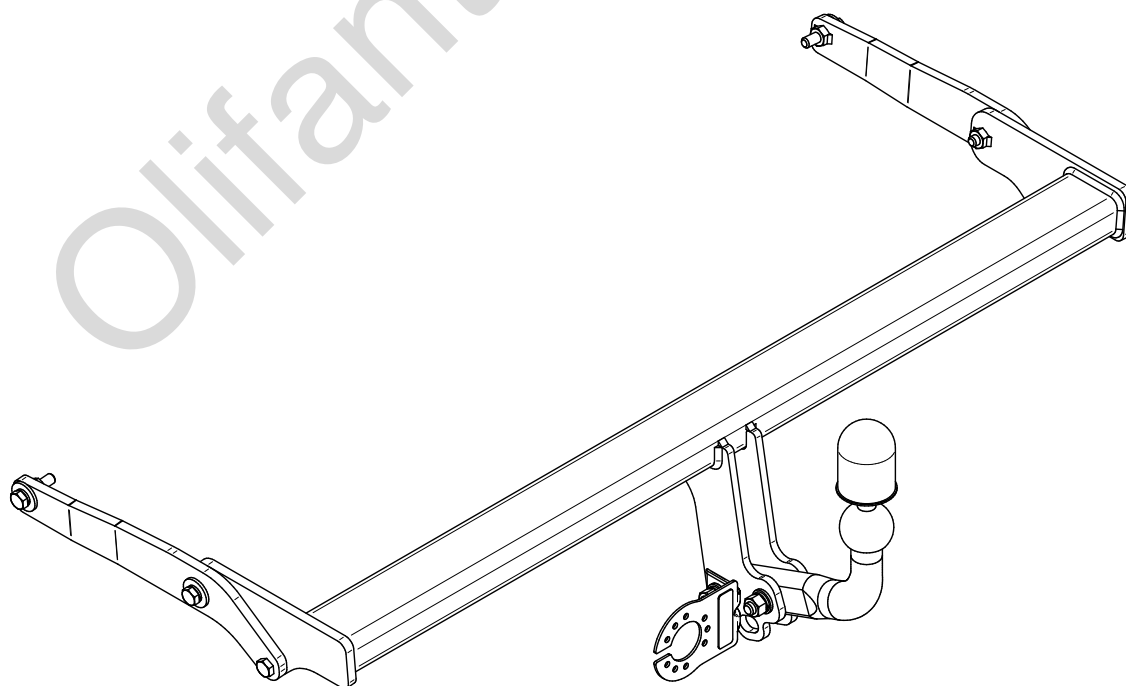
- PL** **Zaczep Kulowy** Instrukcja montażu i eksploatacji
- GB** **Tow bar** Installation and operating instructions
- D** **Die Anhängerkupplung** Montage- und Gebrauchsanleitung
- ES** **Gancho de remolque** Las instrucciones de instalación y de operación
- RU** **Фаркоп** Инструкция по установке и эксплуатации ТСУ
- FR** **Attelage** Notice de montage et d'utilisation
- IT** **Gancio traino** Istruzioni di montaggio
- CZ** **Tažné zařízení** Návod na montáž a použití
- RO** **Cârlig de remorcare** Instrucția de montaj și exploatare
- SE** **Dragkulan** Monterings- och bruksanvisningar.



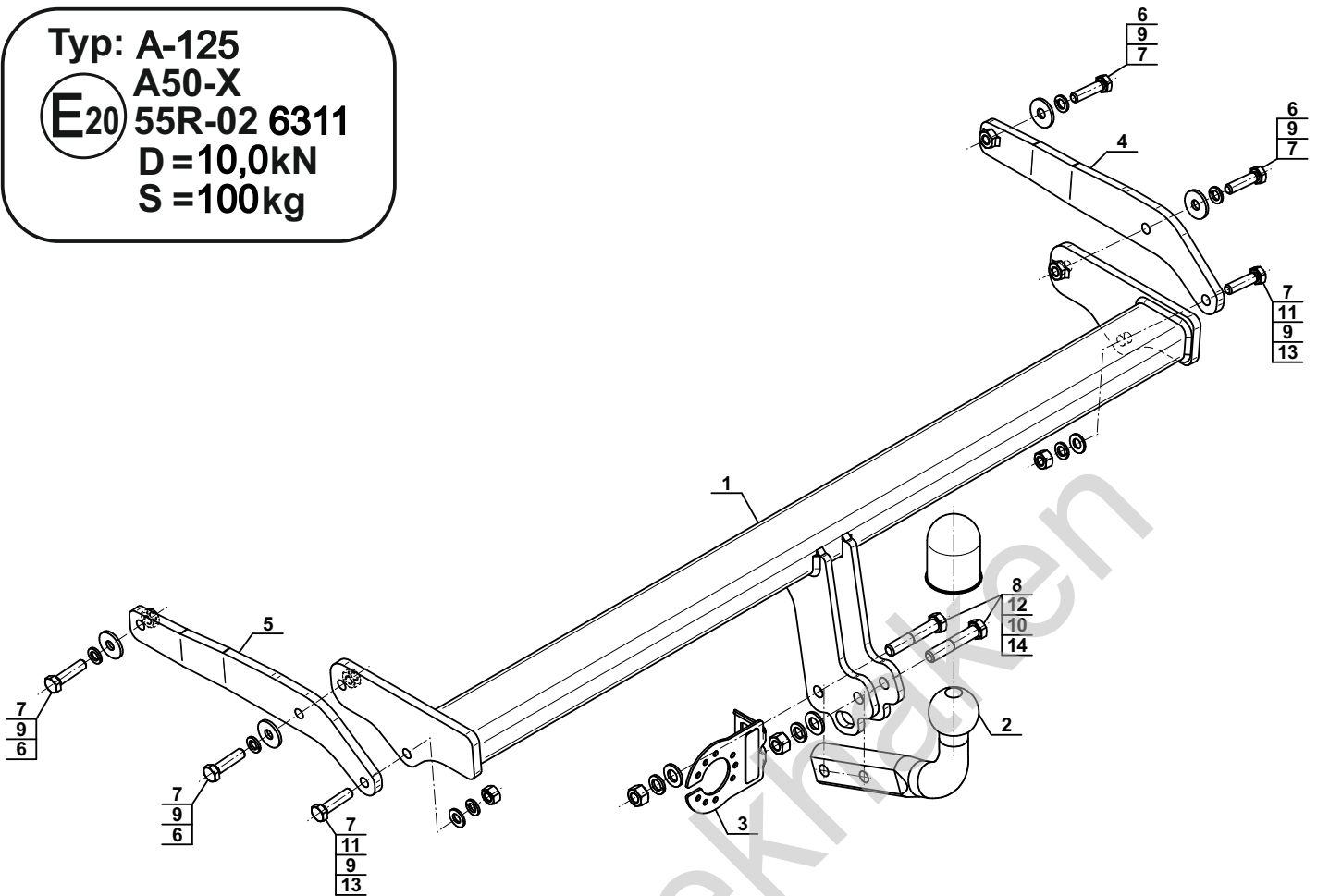
YES NO



YES NO



Typ: A-125
 A50-X
 E20 55R-02 6311
 D = 10,0kN
 S = 100kg



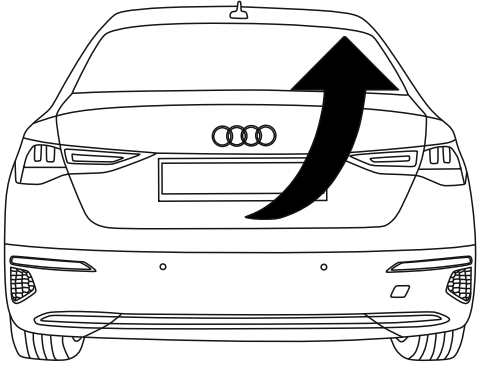
| | | |
|---|--|----|
| 1 | | x1 |
| 2 | | x1 |
| 3 | | x1 |
| 4 | | x1 |
| 5 | | x1 |

| | | | |
|----|--|---------------------------|----|
| 6 | | Ø30/Ø10,5x3 | x4 |
| 7 | | M10x40 (PN/M-82105) (8.8) | x6 |
| 8 | | M12x65 (PN/M-82101) (8.8) | x2 |
| 9 | | Ø10,2 | x6 |
| 10 | | Ø12,2 | x2 |
| 11 | | Ø10,5 | x2 |
| 12 | | Ø13,0 | x2 |
| 13 | | M10 (8) | x2 |
| 14 | | M12 (8) | x2 |

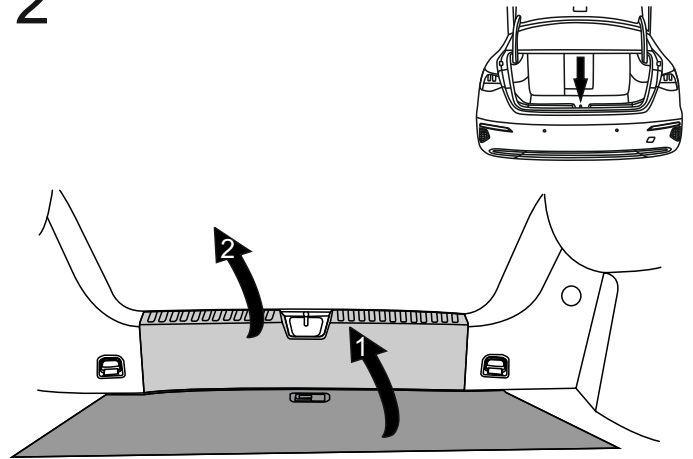


| 8.8 | |
|---------------|----------------|
| M6 - 10 (Nm) | M12 - 85 (Nm) |
| M8 - 25 (Nm) | M14 - 135 (Nm) |
| M10 - 50 (Nm) | M16 - 200 (Nm) |

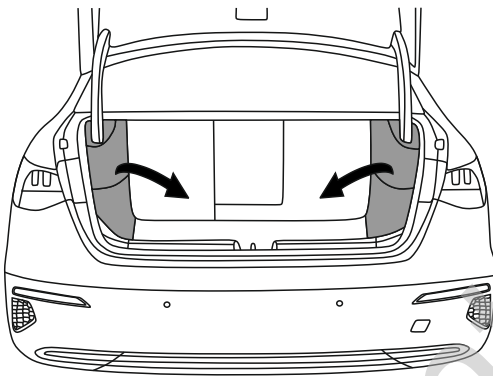
1



2

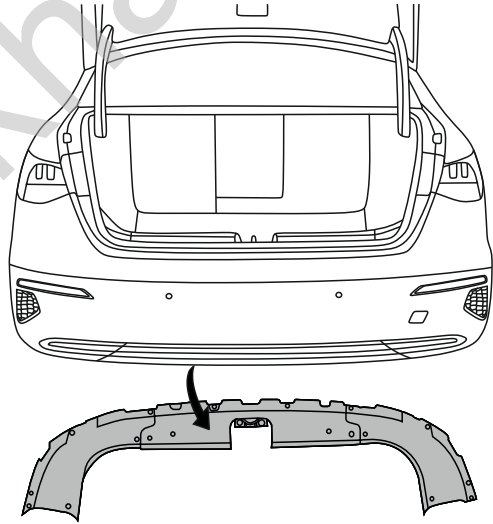


3

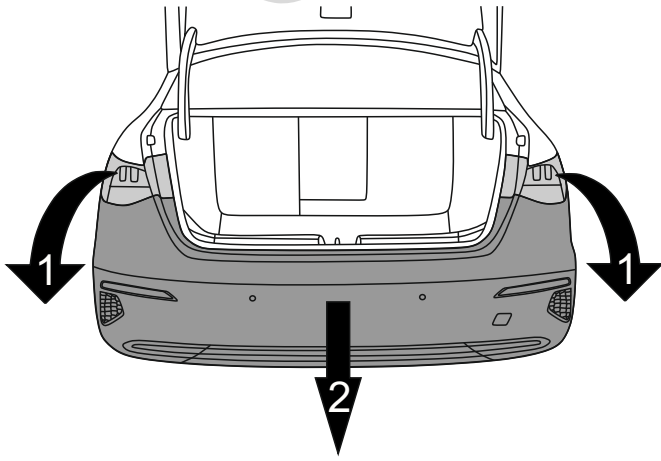


4

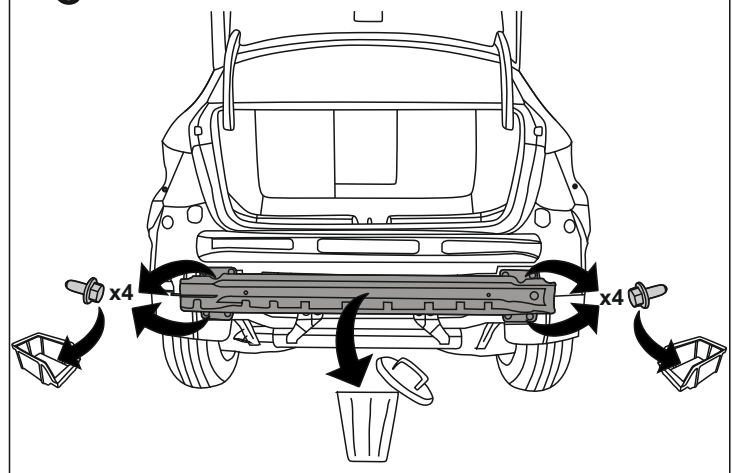
⚠ Only 4D

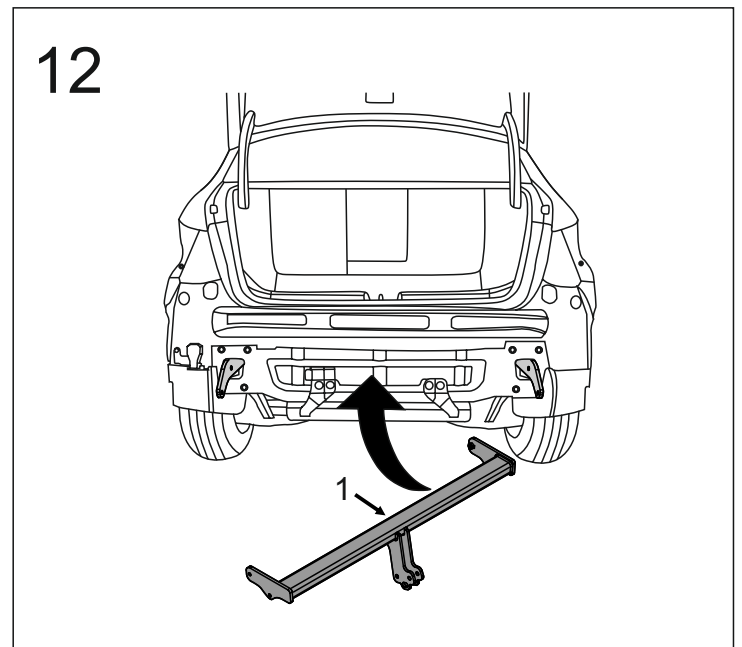
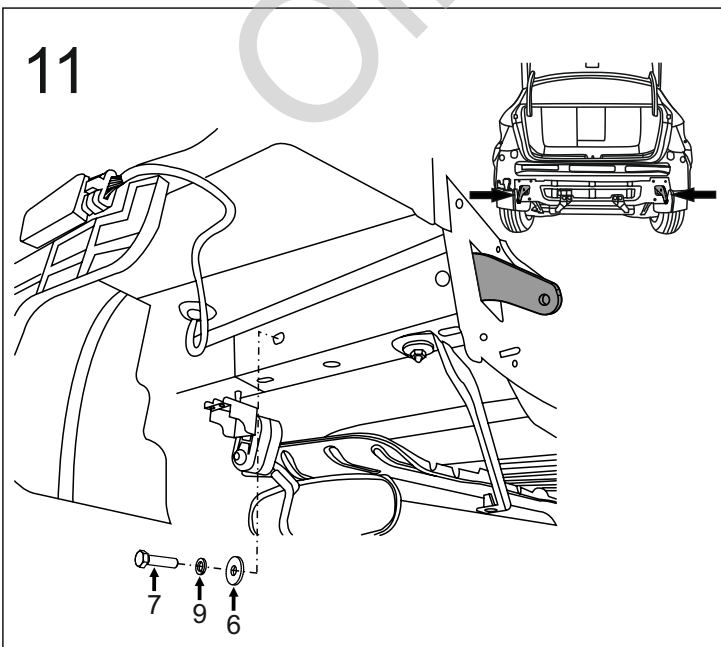
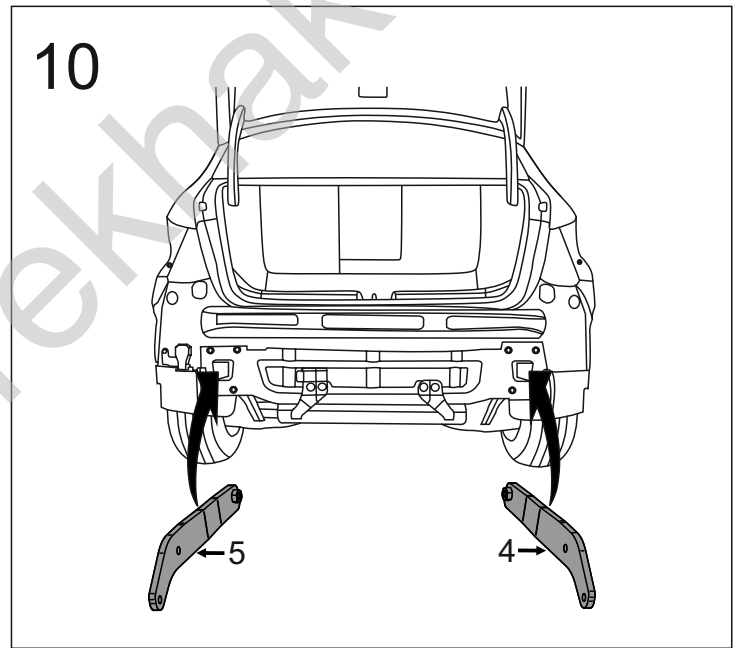
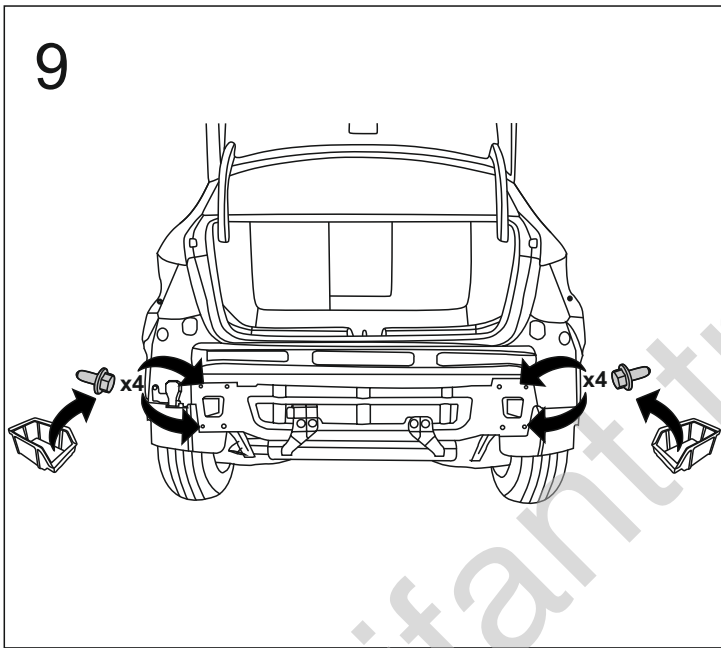
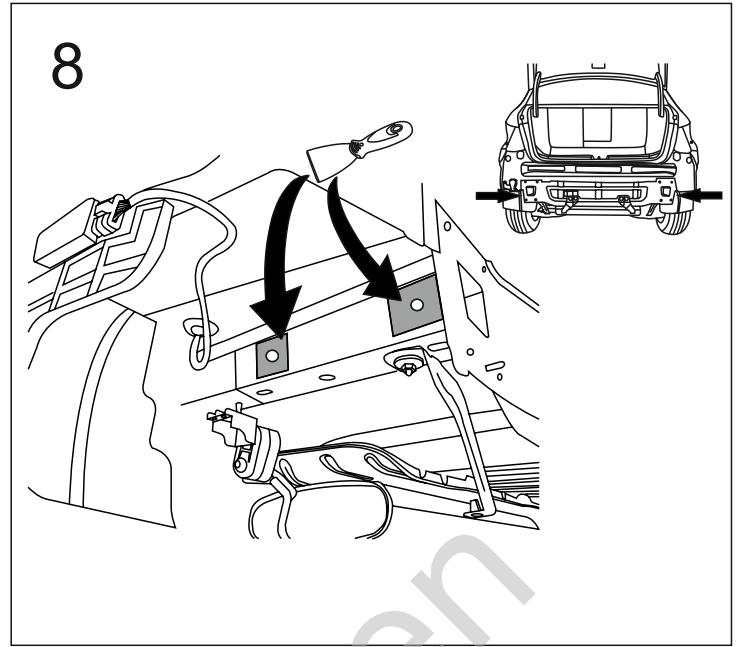
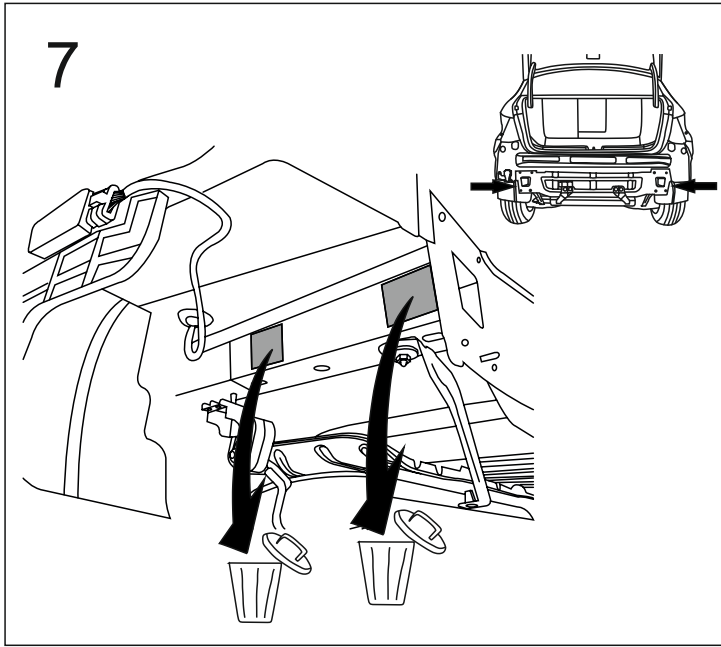


5

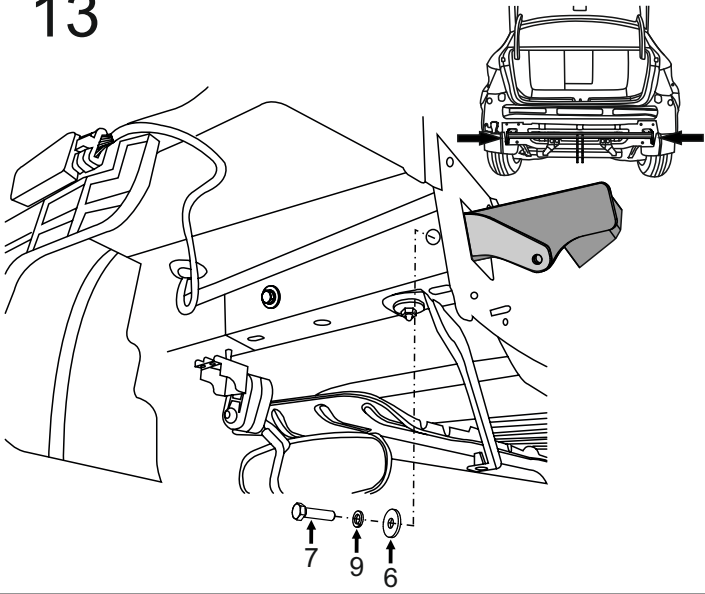


6

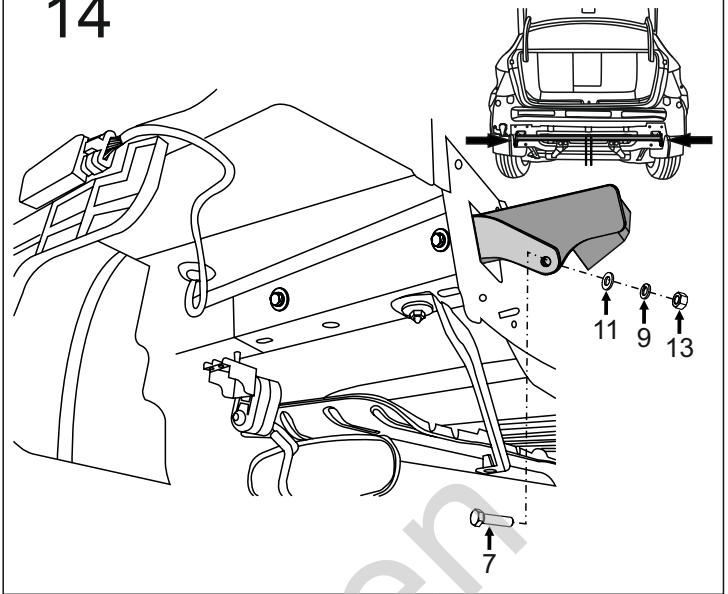




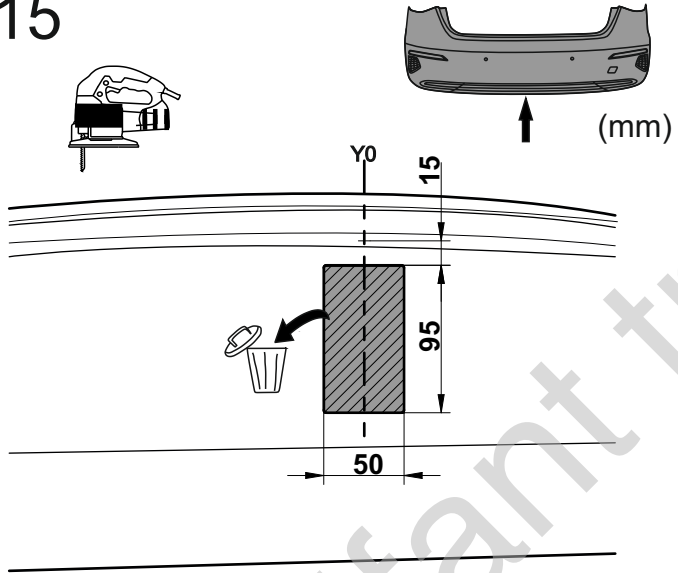
13



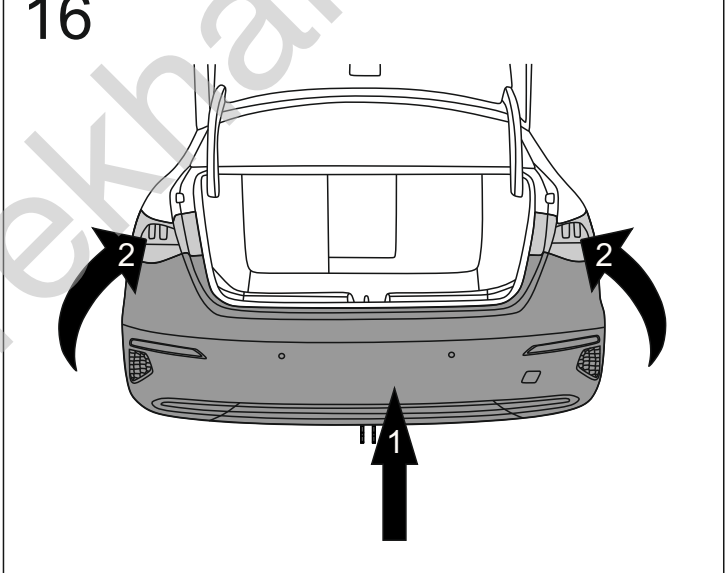
14



15

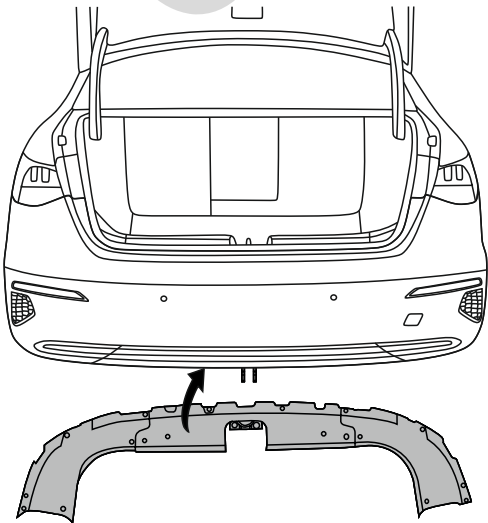


16

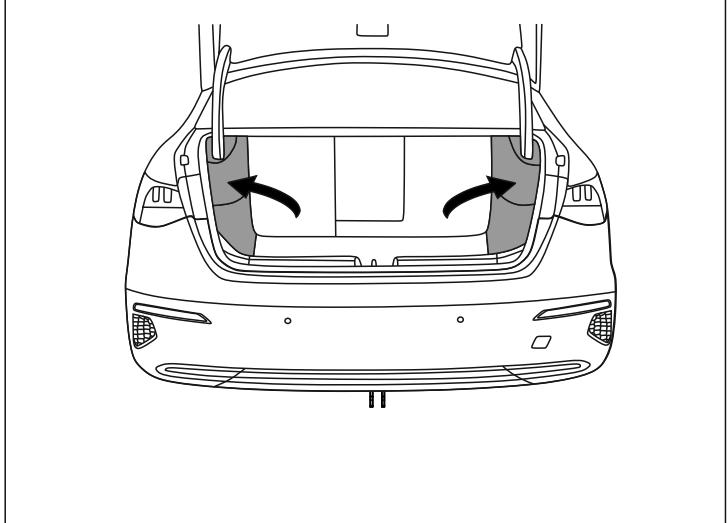


17

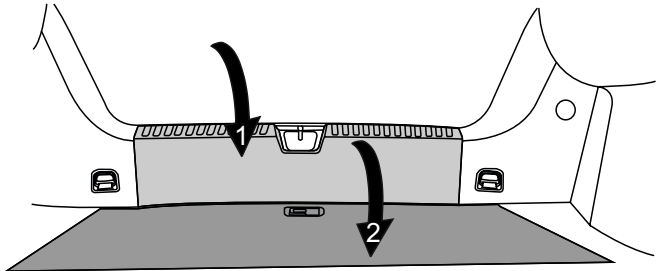
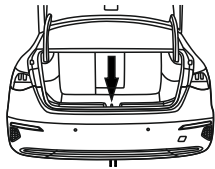
⚠ Only 4D



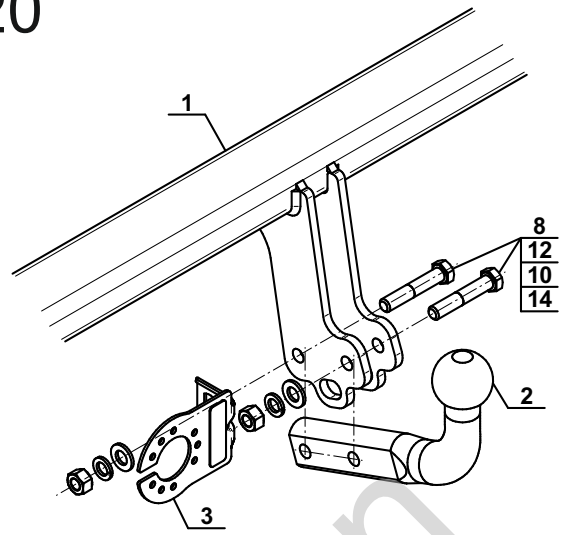
18



19



20



Olifant trekhaken