



TREKHAKEN • ATTELAGES • ANHÄNGERVORRICHTUNGEN • TOWBARS • ENHANCES • ANHÆNGERTRÆK

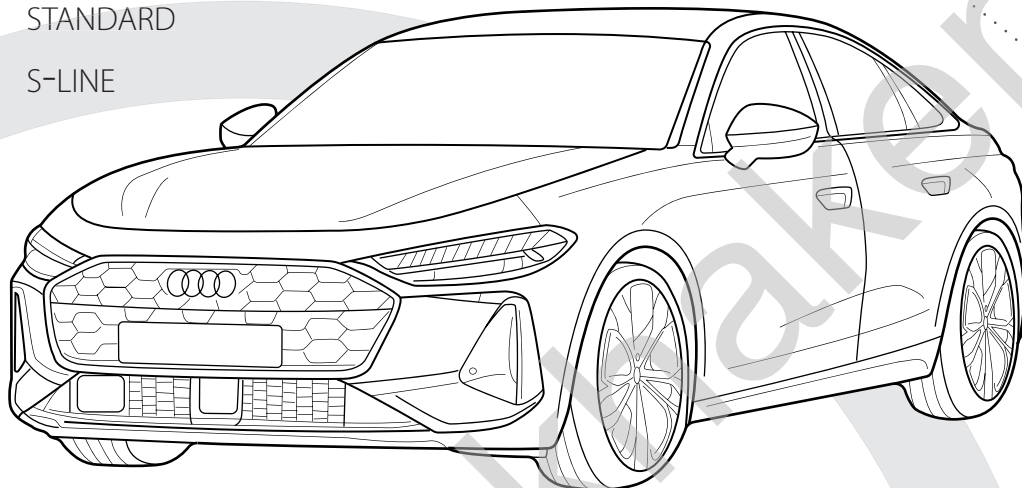
Montagehandleiding | instructions de montage | Einbauanleitung | Mounting instruction
Instrucciones de montaje | monteringsvejledning



Audi A5 (type FU2)

07/'24-

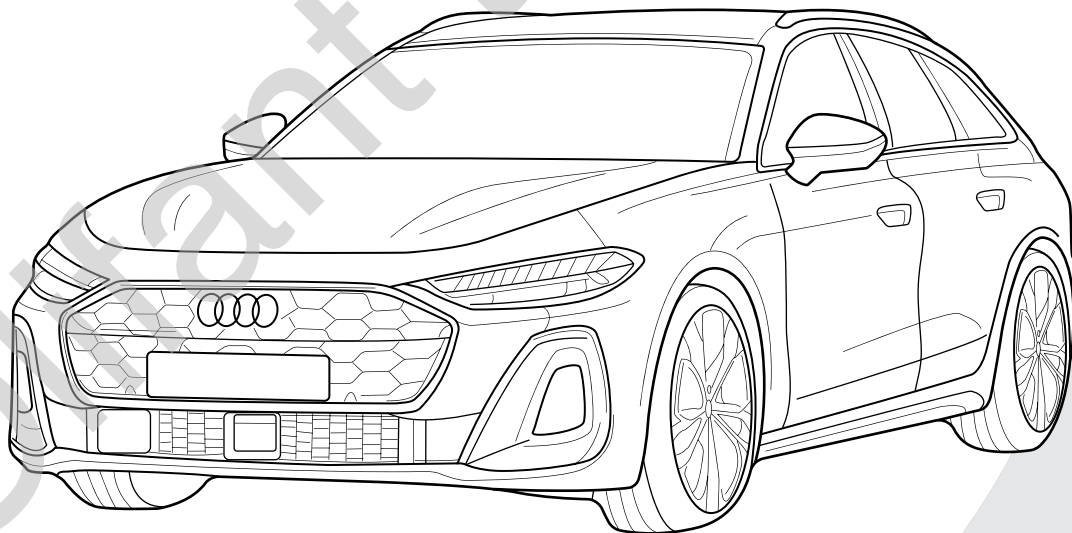
- ✓ STANDARD
- ✓ S-LINE



Audi A5 Avant (type FU5)

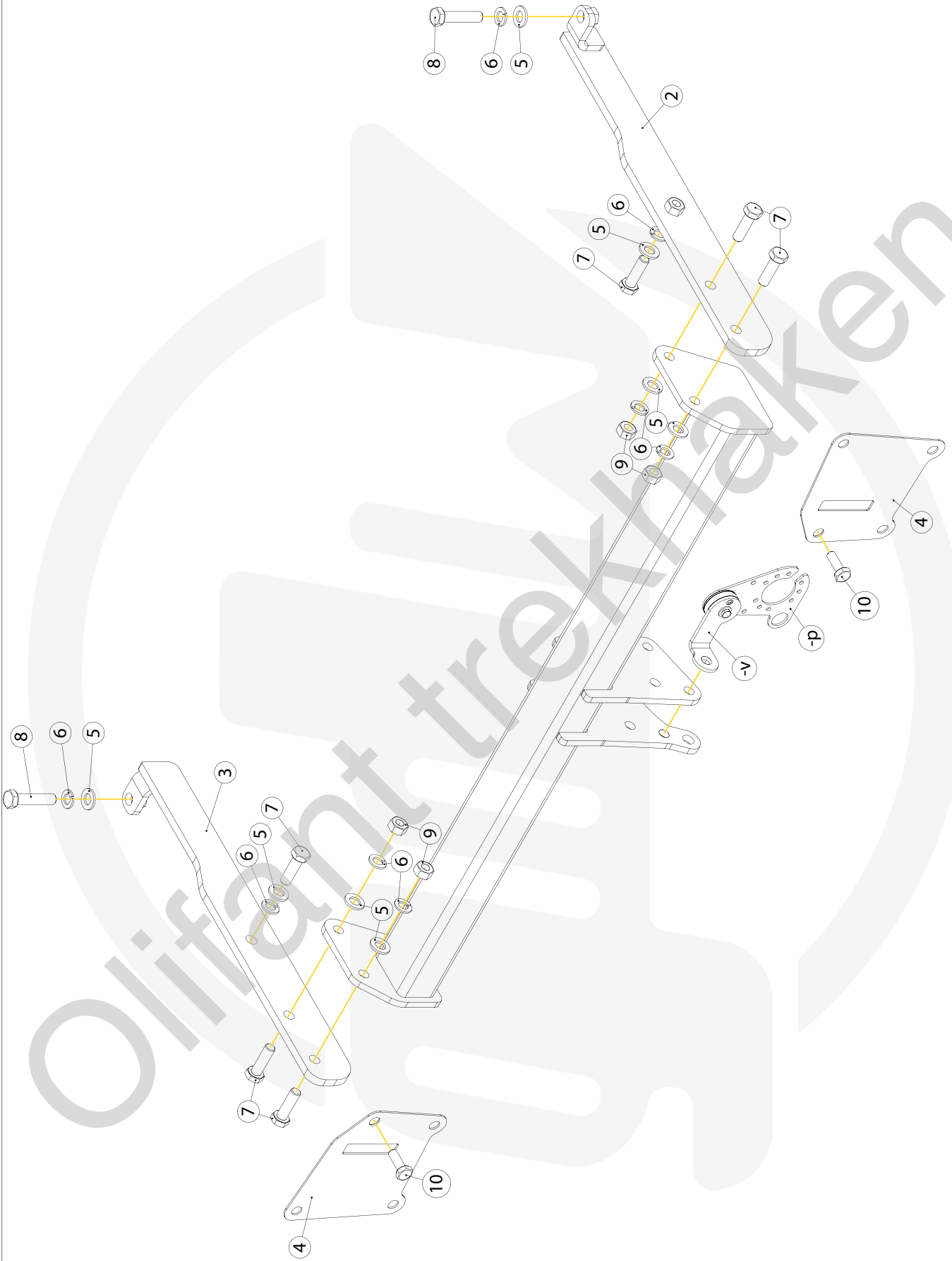
07/'24-

- ✓ STANDARD
- ✓ S-LINE



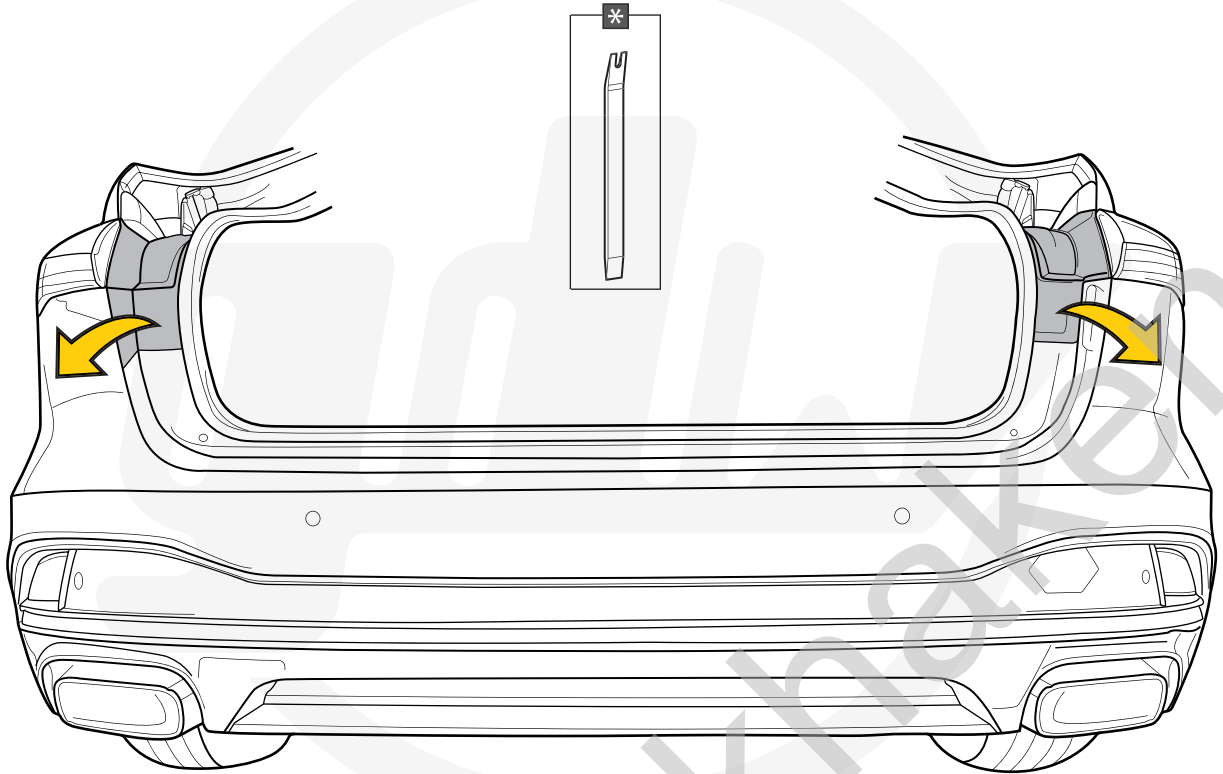
SCAN FOR THE
LATEST VERSION



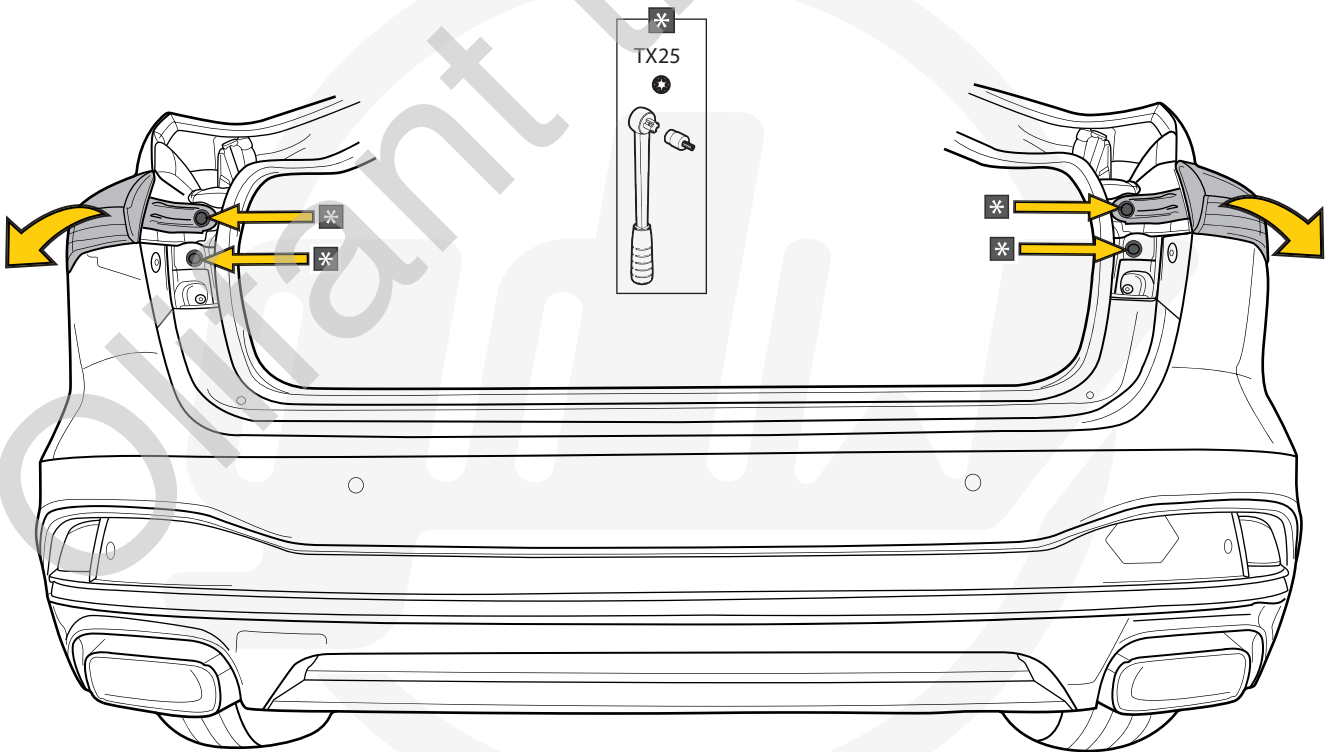


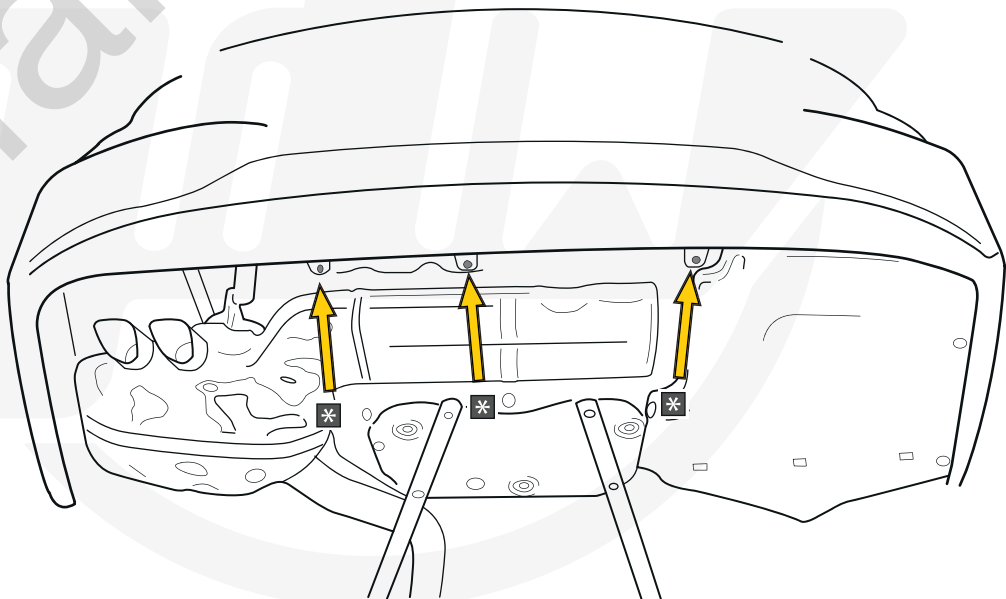
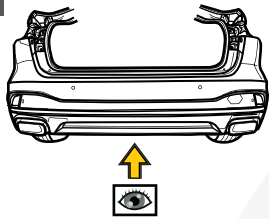
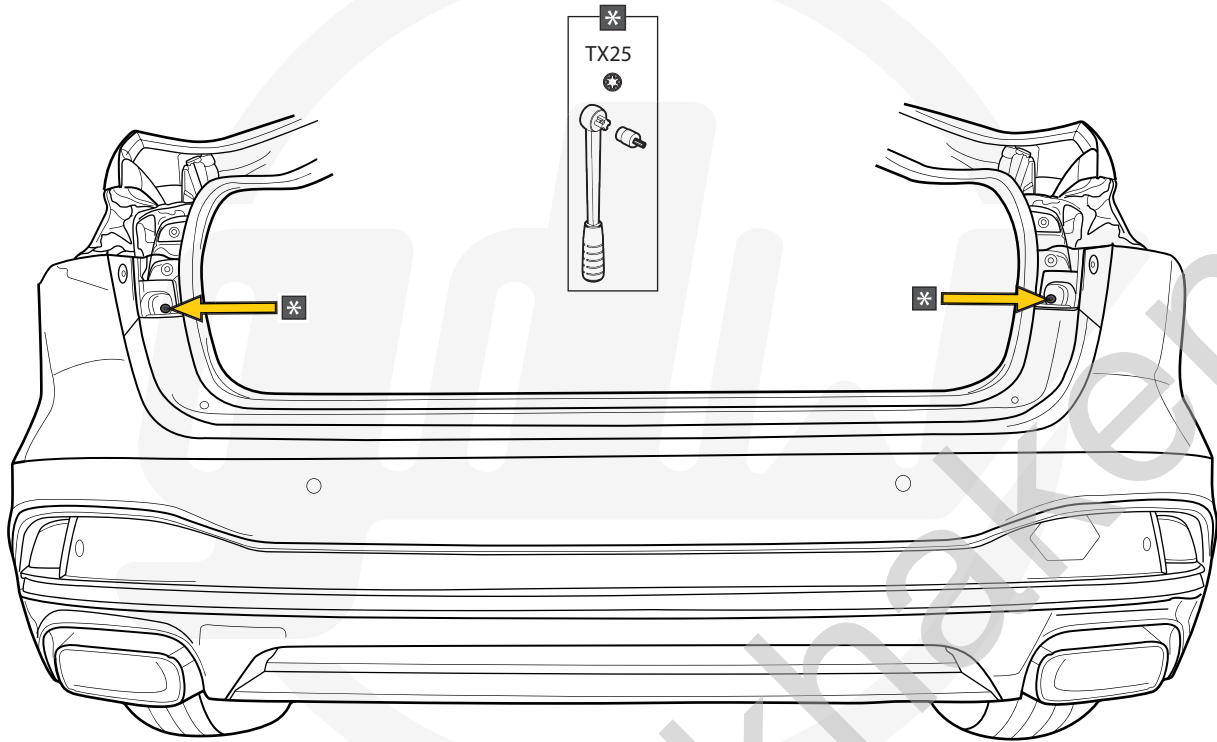
1		X1	GDW REF. 2907160	-P		X1	GDW REF. P46		X1	GDW REF. 960.V0610
2		X1	GDW REF. 2	↳		X1	GDW REF. 908.101	↳	X1	GDW REF. 740.200
3		X1	GDW REF. 3	↳		X1	DIN985-M6	↳	X1	GDW REF. 912.003
4		X2	GDW REF. 4	↳		X1	6,2 X 15,4 X 1,6 (NYLON)	↳	X1	GDW REF. 740.112
5		X14	DIN 125A-13X24X2.5	↳		X1	GDW REF. 718.16.002	↳	X1	GDW REF. 740.111
6		X11	GROWER VSK-M12	↳		X1	GDW REF. 718.16.003	↳	X1	GDW REF. 740.12X X= LAST NUMBER ON KEY
7		X6	DIN 933-M12X40-10.9	↳		X1	GDW REF. 908.094	↳	X1	GDW REF. 718.15.001
8		X2	DIN 933-M12X55-10.9	↳		X1	DIN933-M6 X 30	↳	X1	GDW REF. SYST60-10
9		X4	DIN 934-M12 KL10	↳		X1	KABELBINDER 160X2,5	↳	X1	DIN931-M12X110-8.8
10		X2	DIN 933-M10X30	↳		X1	BIND. 50K 28	↳	X3	DIN128A-M12
-V		X1	GDW REF. 908.101	↳		X1		↳	X6	DIN125A-M12
-S		X1	GDW REF. 900.053	↳		X1		↳	X3	DIN934-M12

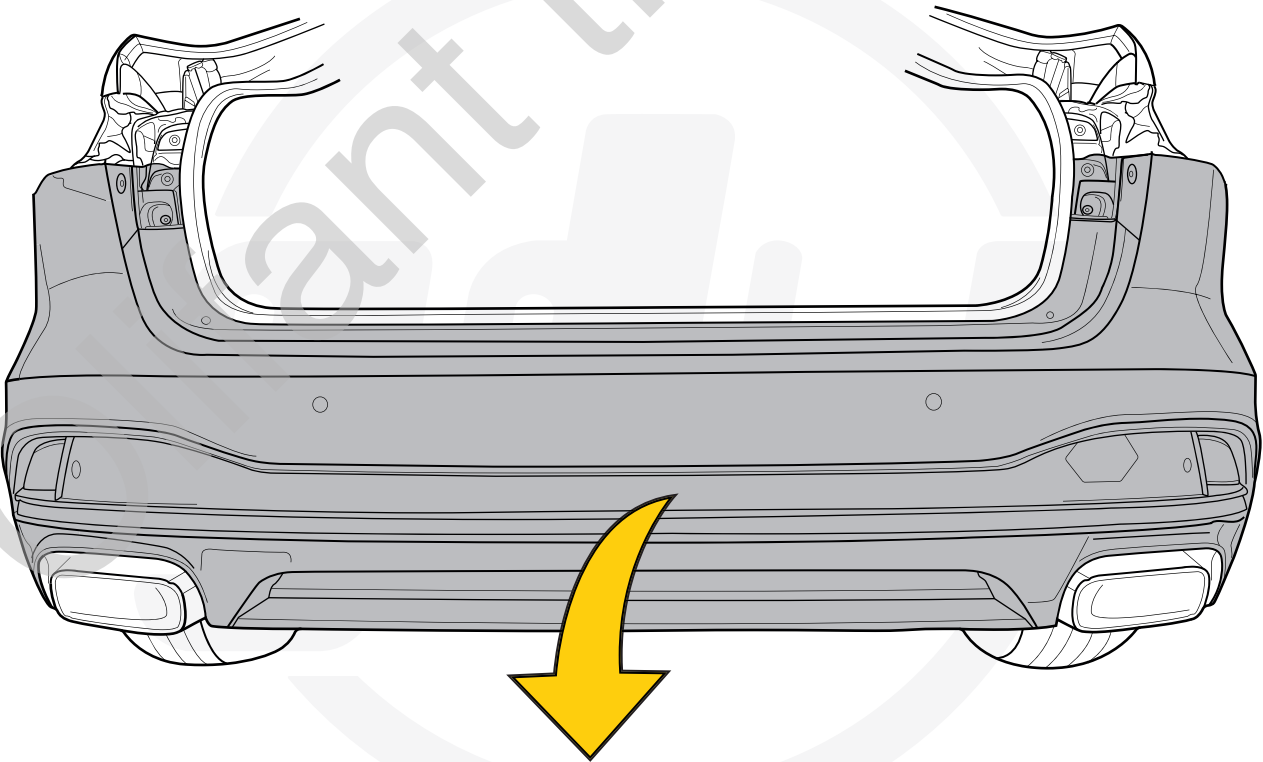
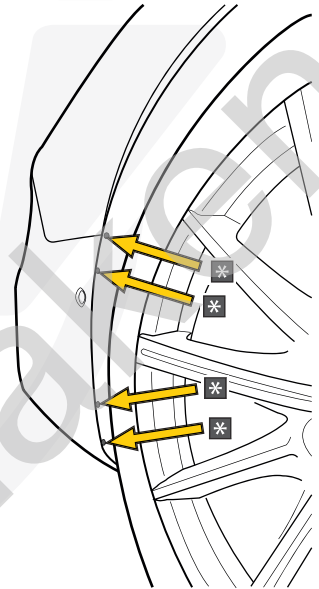
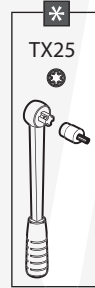
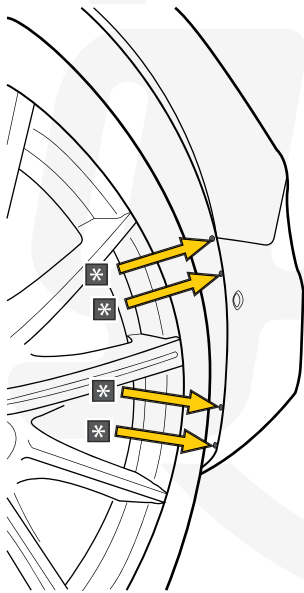
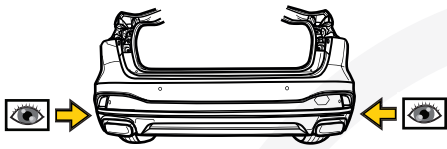
1



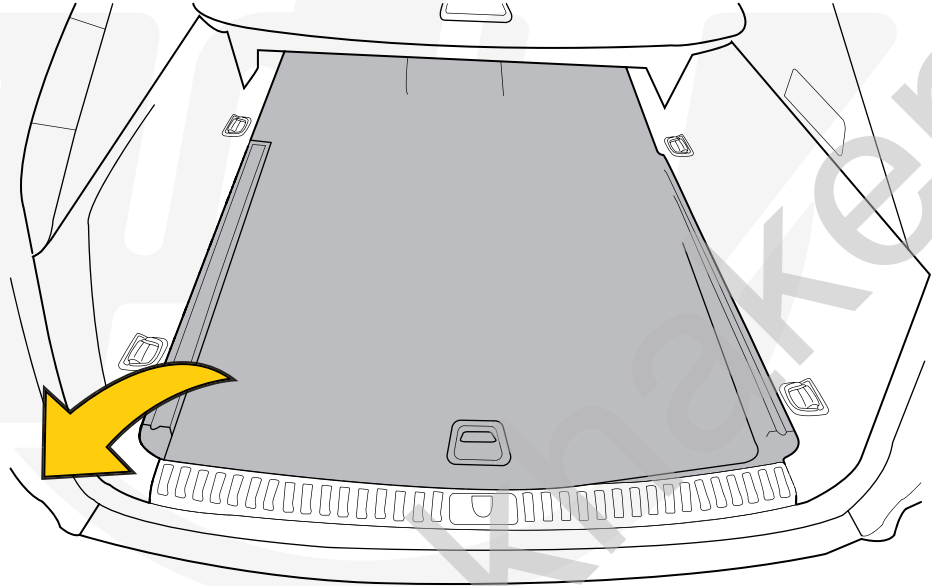
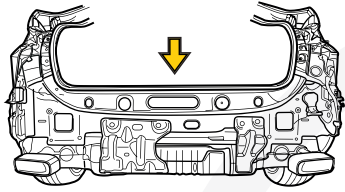
2



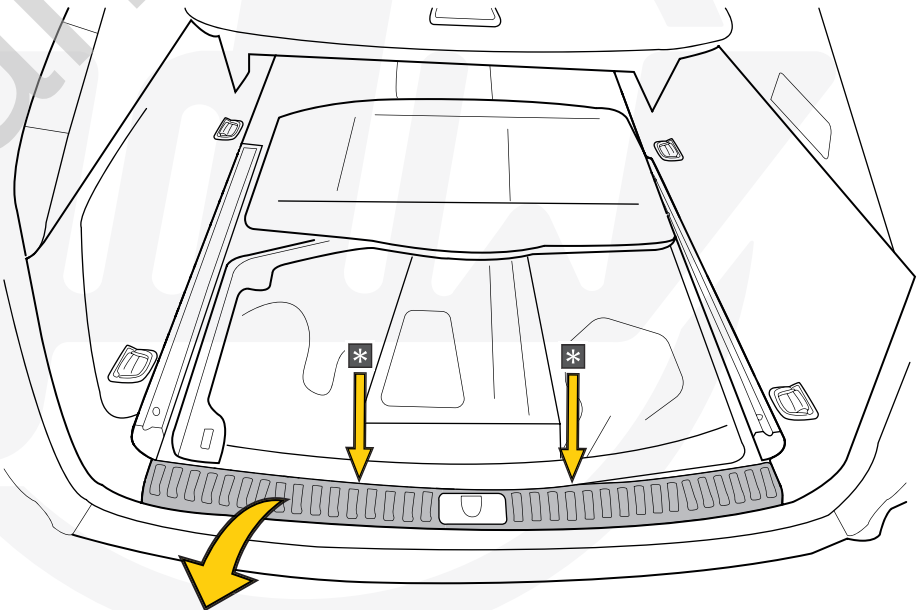
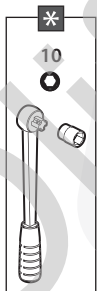
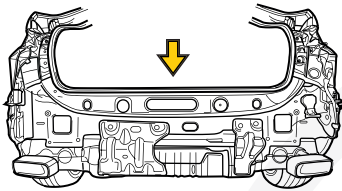


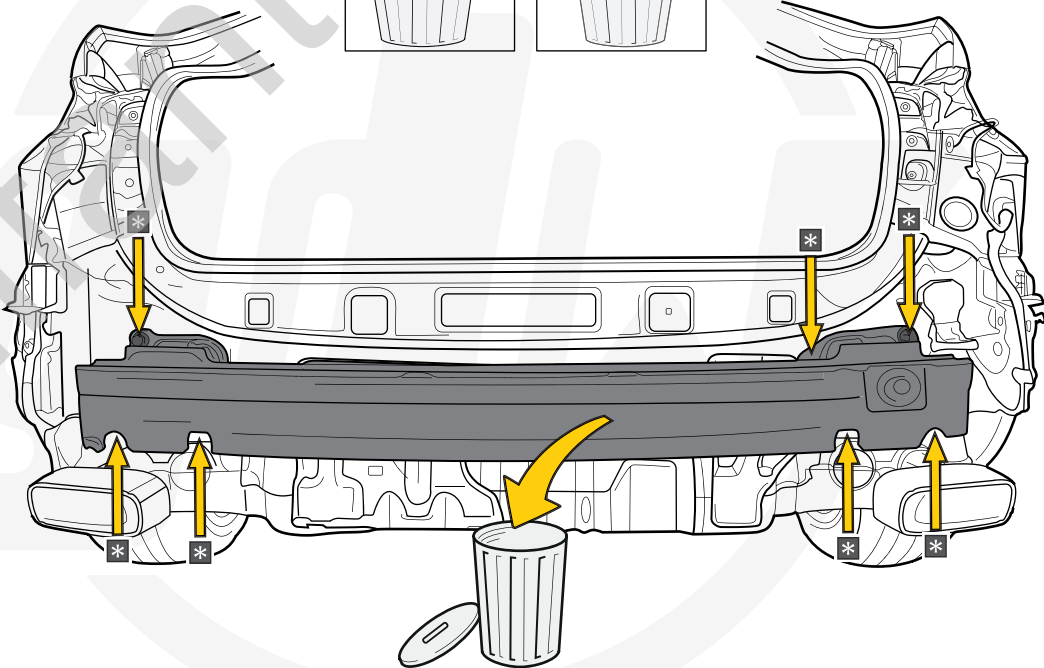
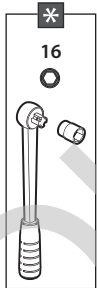
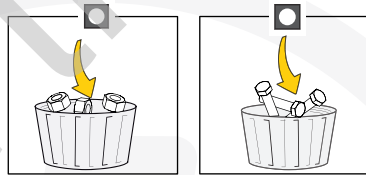
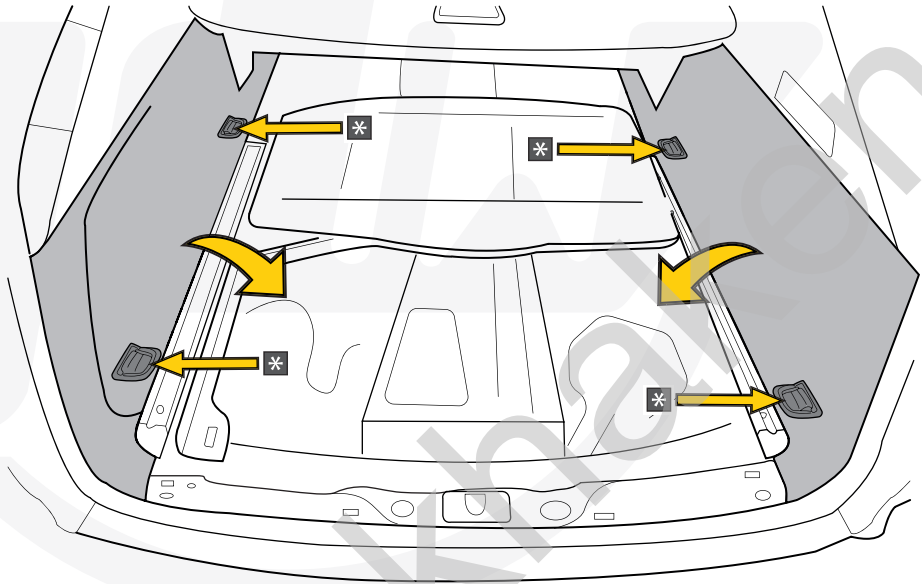
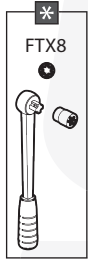
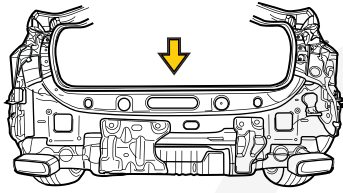


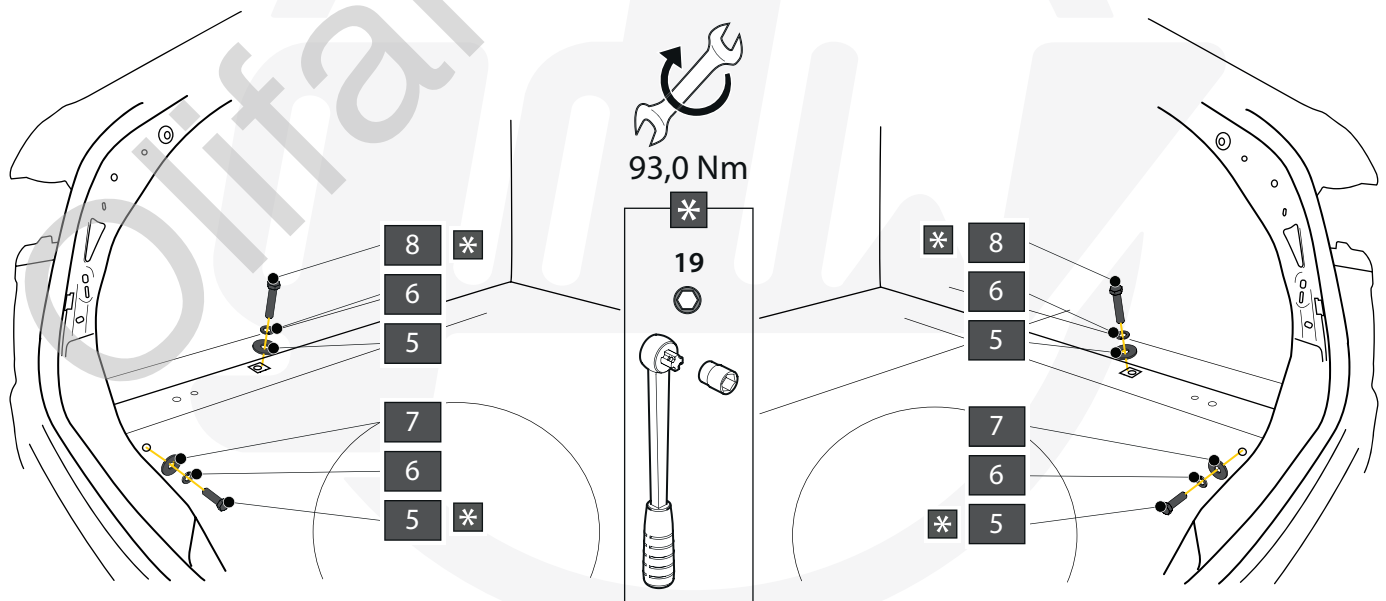
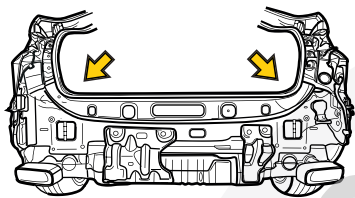
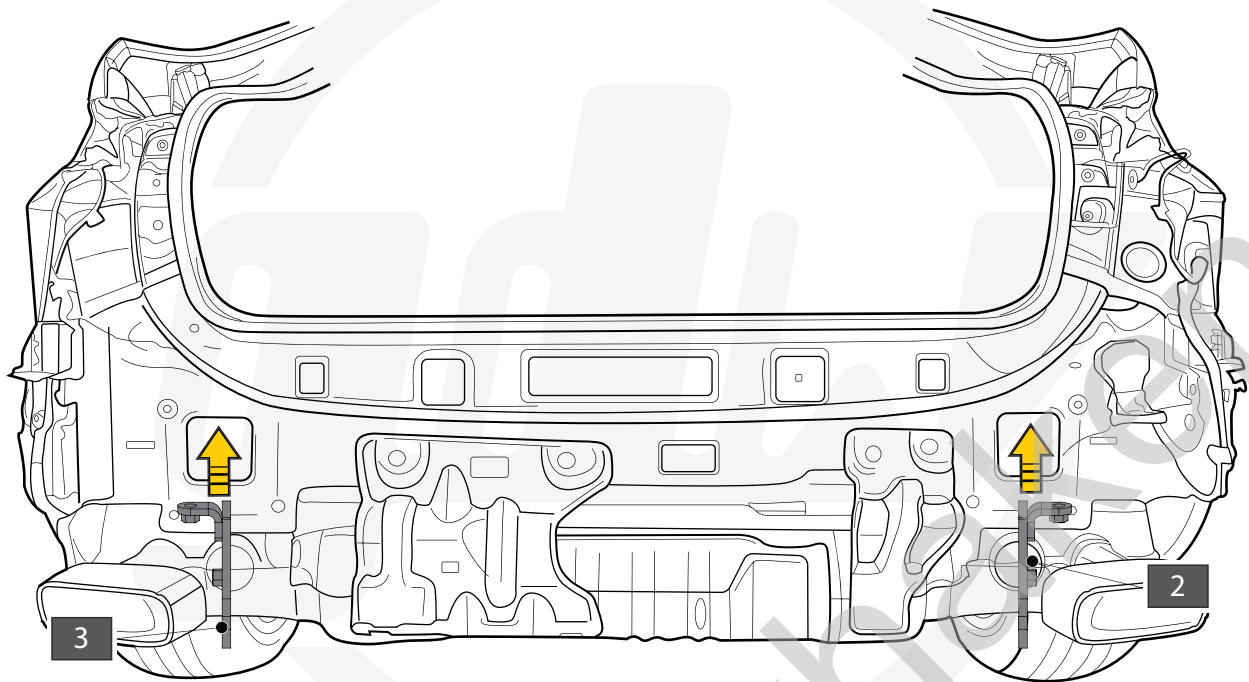
7



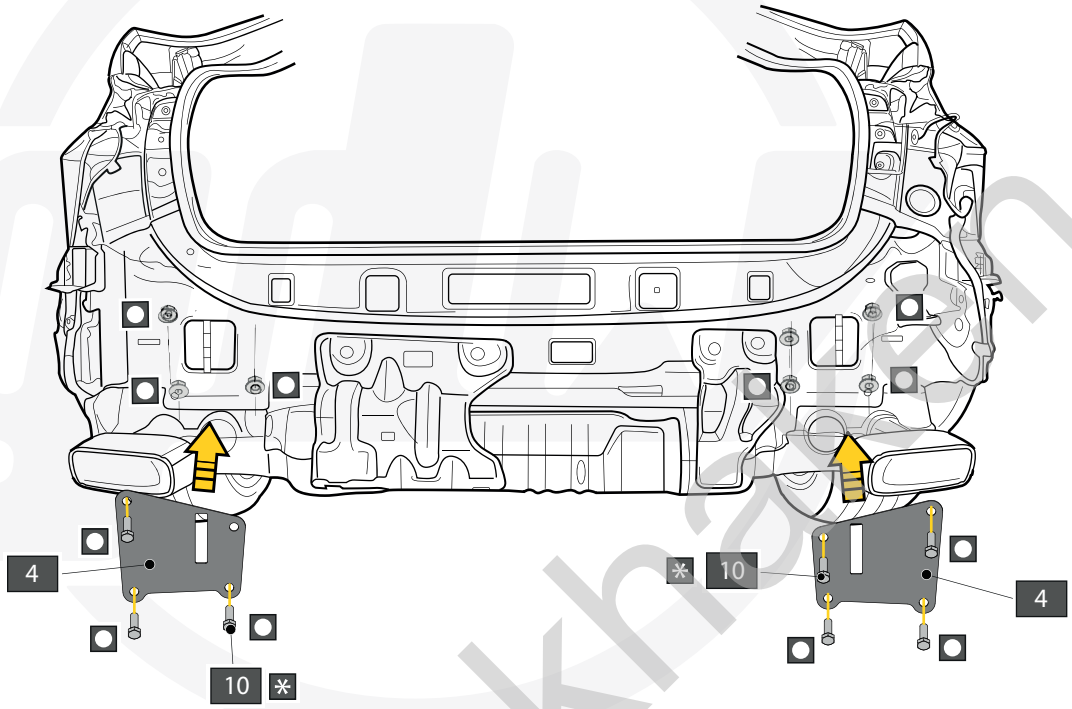
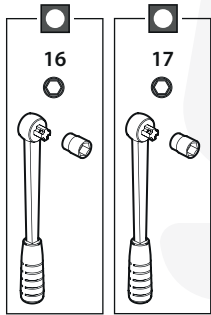
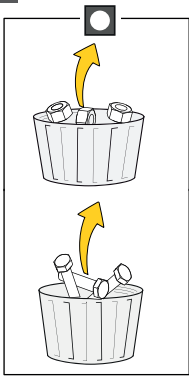
8



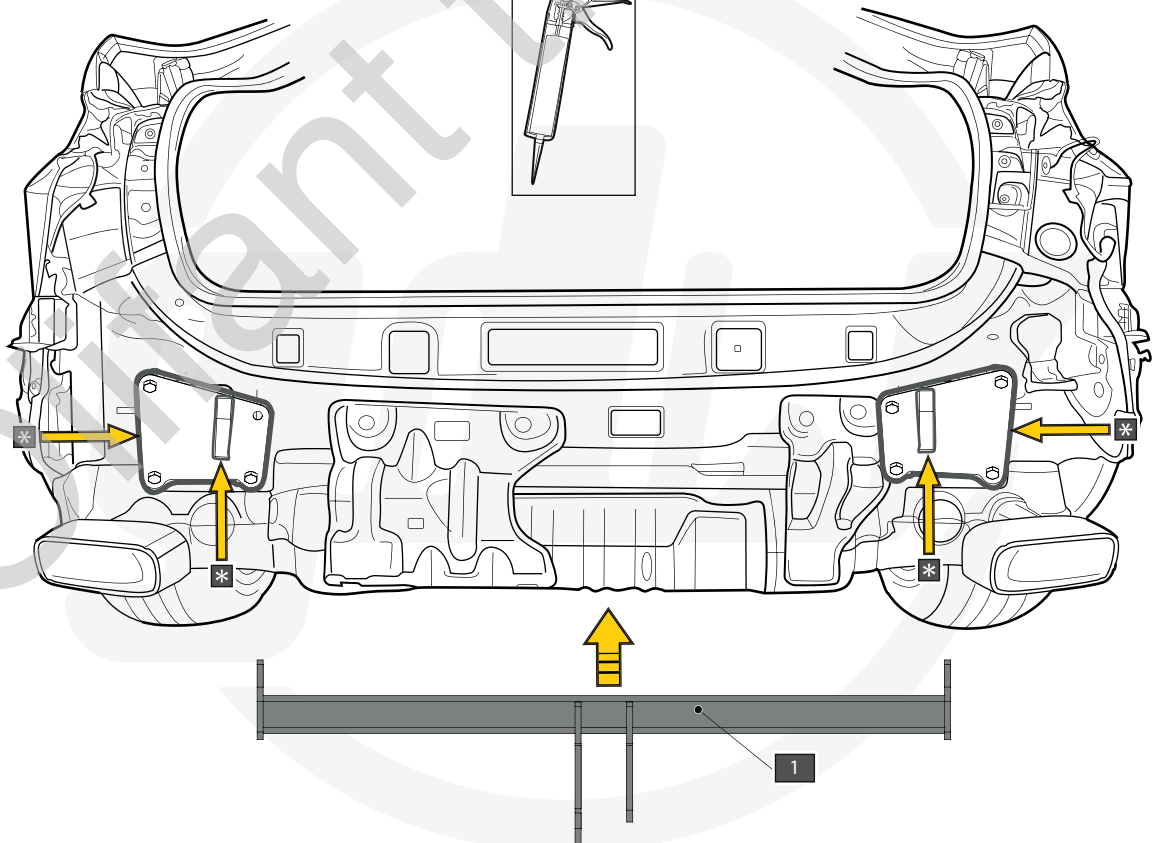




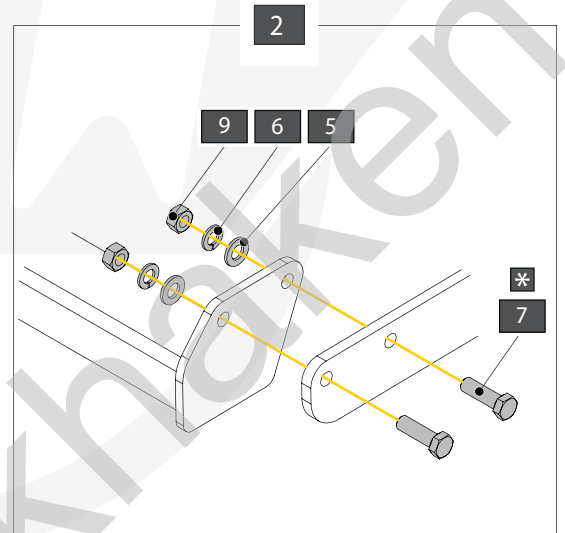
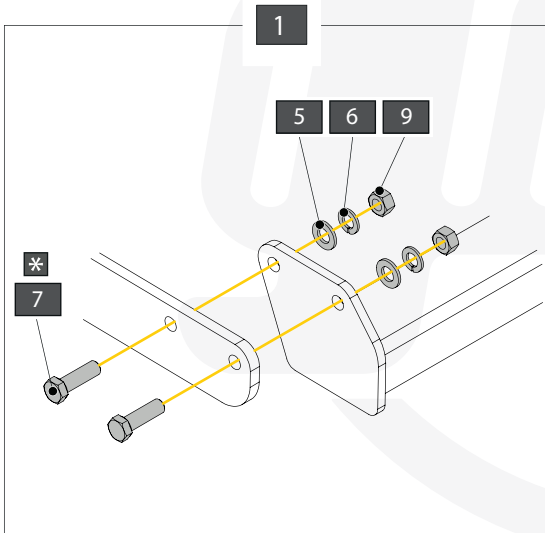
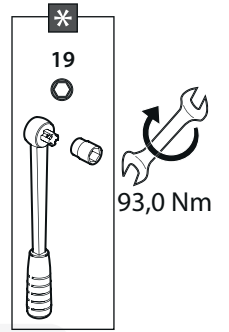
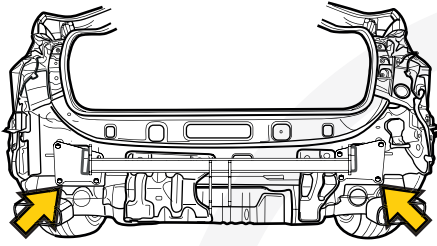
13



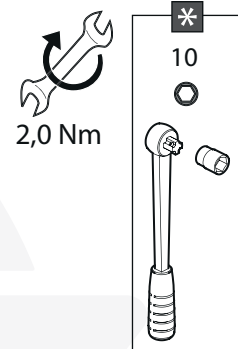
14



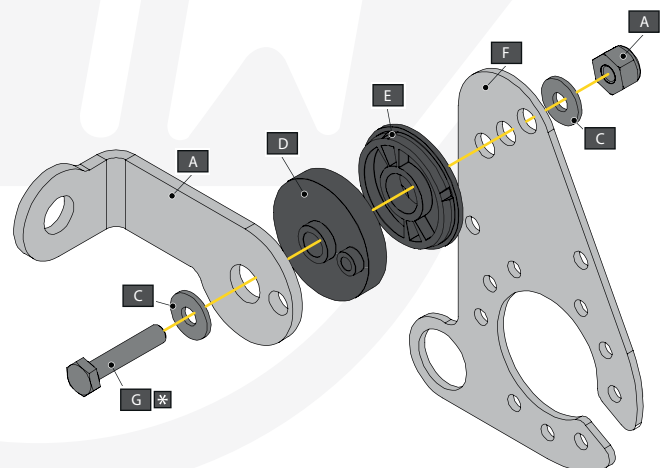
15

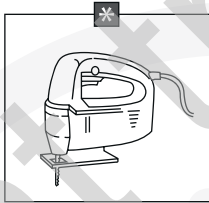
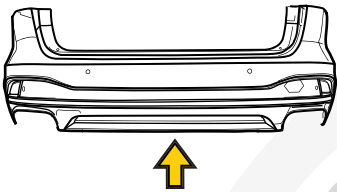
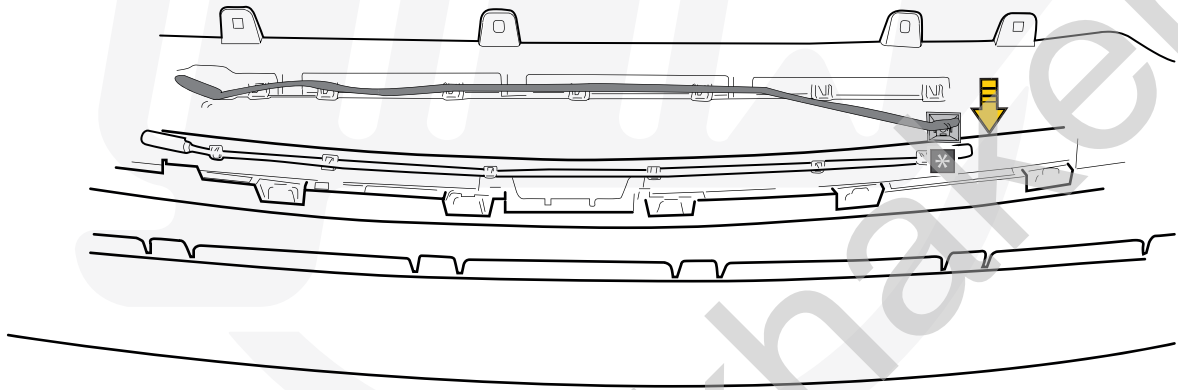
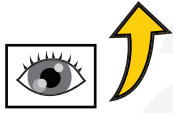
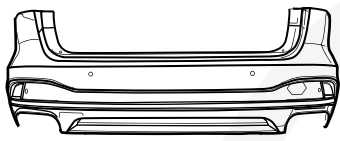


16

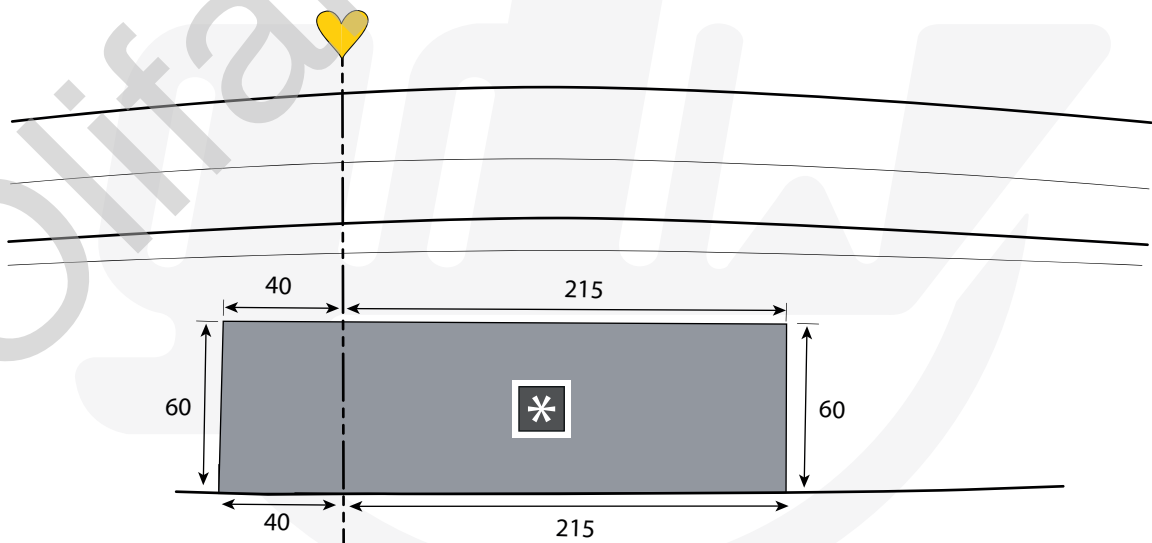


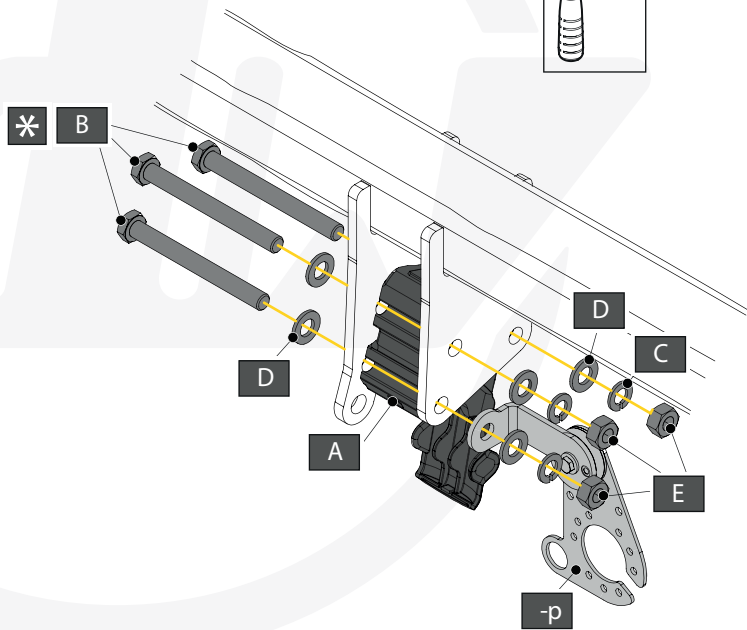
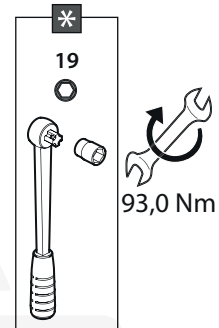
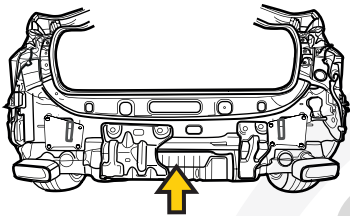
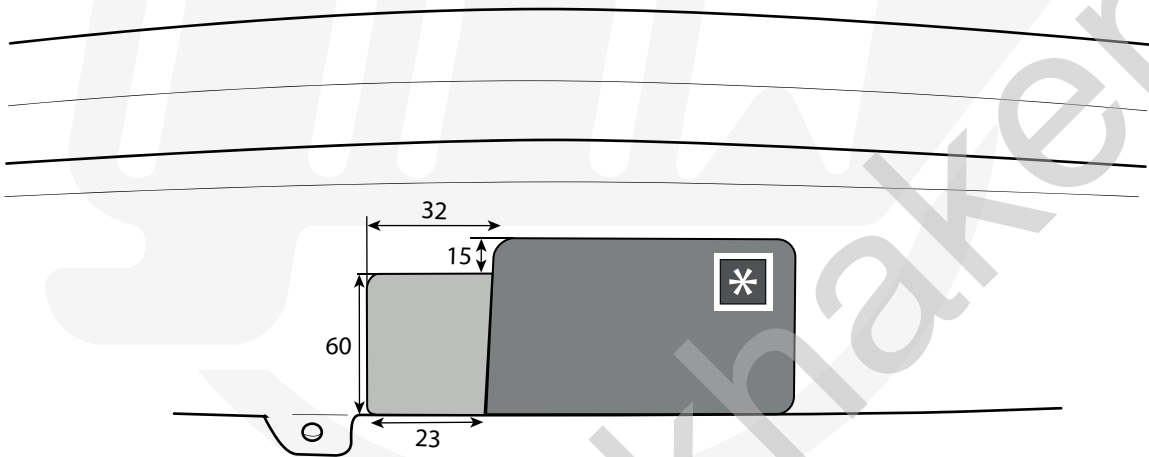
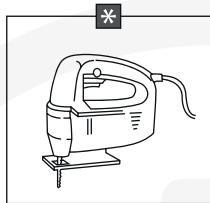
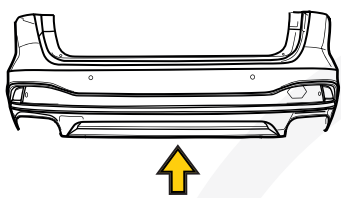
A		X1	GDW REF. 908.095
B		X1	DIN985-M6
C		X2	6,2 X 15,4 X 1,6 (NYLON)
D		X1	GDW REF. 718.16.002
E		X1	GDW REF. 718.16.003
F		X1	GDW REF. 908.094
G		X1	DIN933-M6 X 30





without standard incision





A		X1	GDW REF. 912.003
B		X3	DIN931-M12X110-8.8
C		X3	DIN128A-M12
D		X6	DIN125A-M12
E		X3	DIN934-M12

