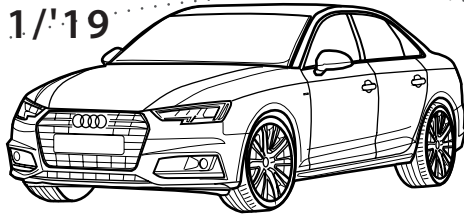




Audi A4

05/'15 - 11/'19

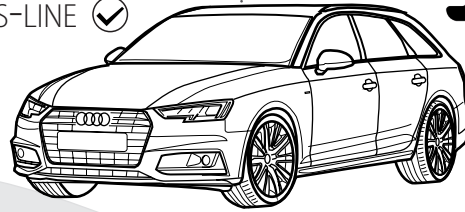
S-LINE ✓



Audi A4 Avant

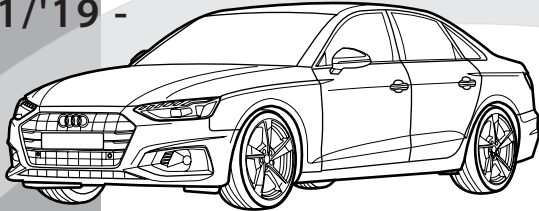
08/'15 - 11/'19

S-LINE ✓



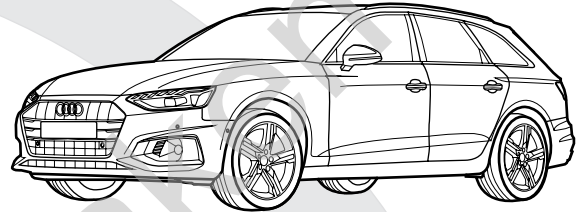
Audi A4 Facelift

11/'19 -



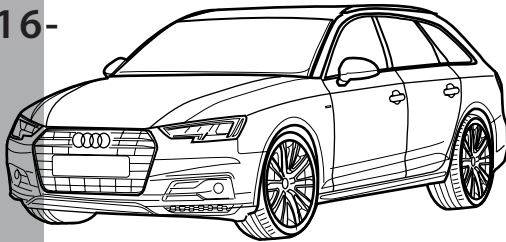
Audi A4 Avant Facelift

11/'19 -



Audi A4 Allroad

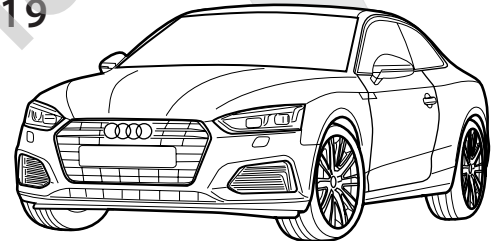
01/'16-



Audi A5 Coupé

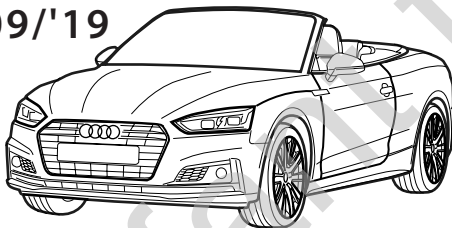
07/'16-09/'19

S-LINE ✓



Audi A5 Cabrio

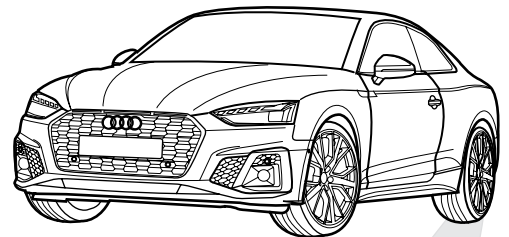
11/'16-09/'19



Audi A5 Coupé Facelift

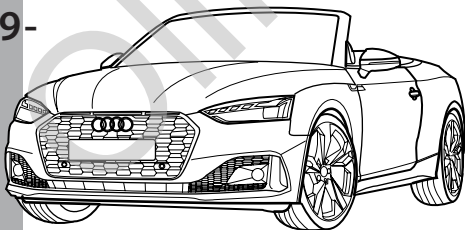
10/'19-

S-LINE ✓



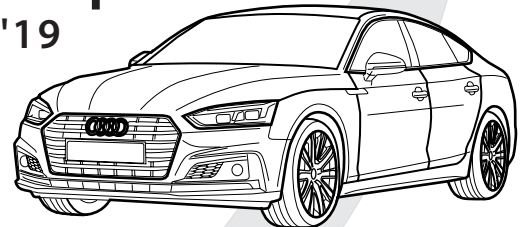
Audi A5 Cabrio Facelift

10/'19-



Audi A5 Sportback

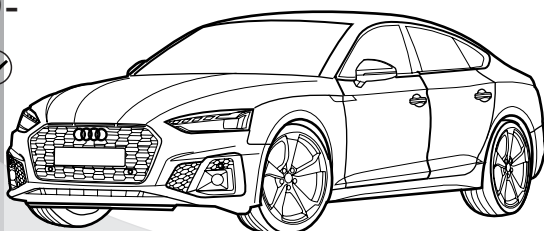
09/'16-09/'19

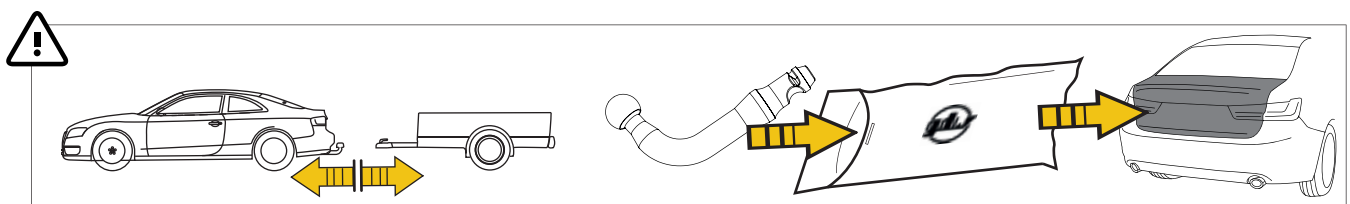
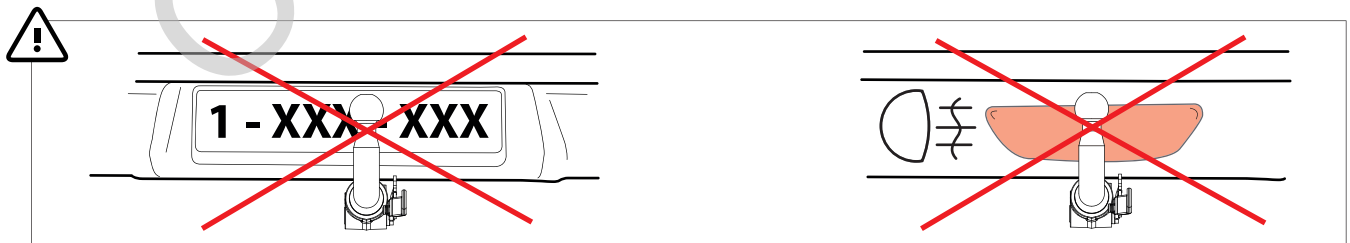
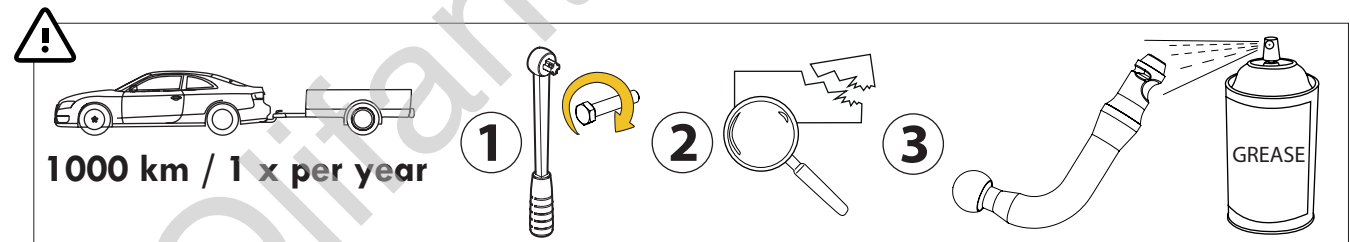
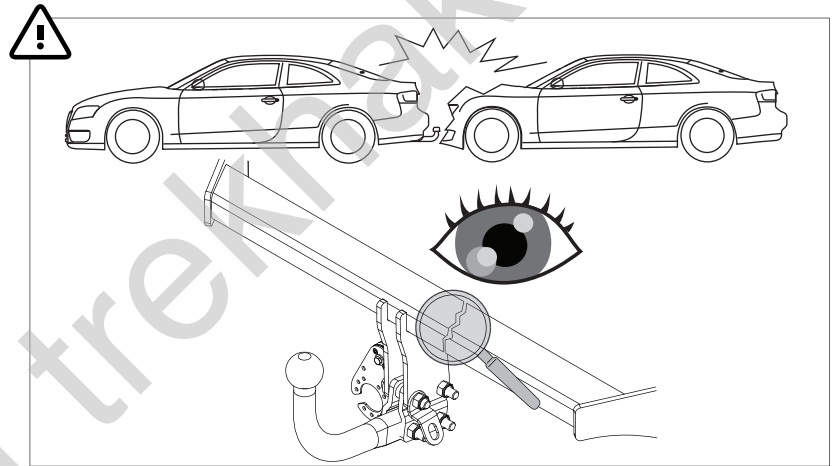
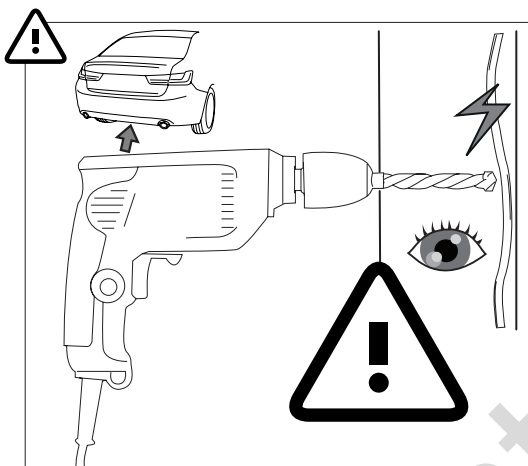
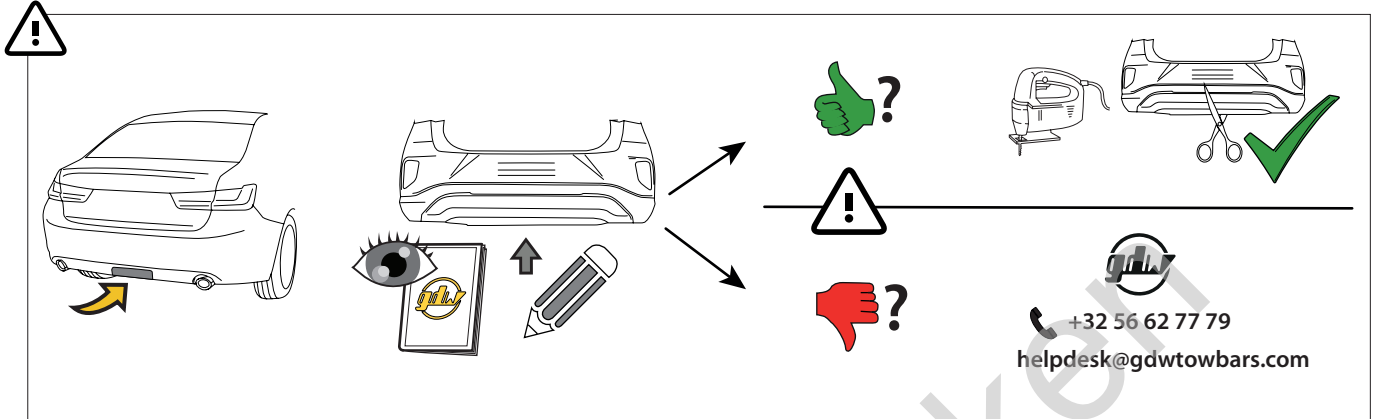
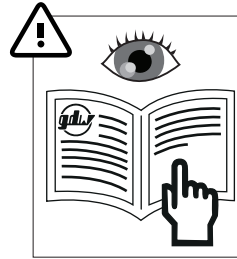
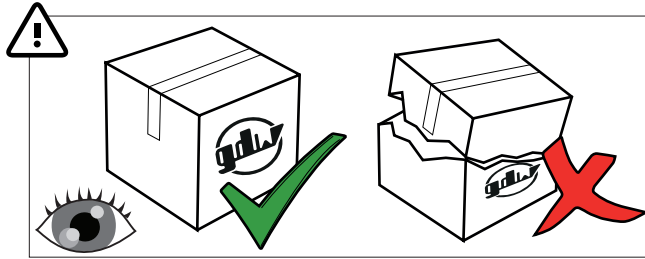


Audi A5 Sportback Facelift

10/'19-

S-LINE ✓





MADE BY **gdw** **D 11,00** **F** **E6**

BELGIUM **S 100** **55R-011294**

REF N° **2131T60** **SERIAL N° XXXX**

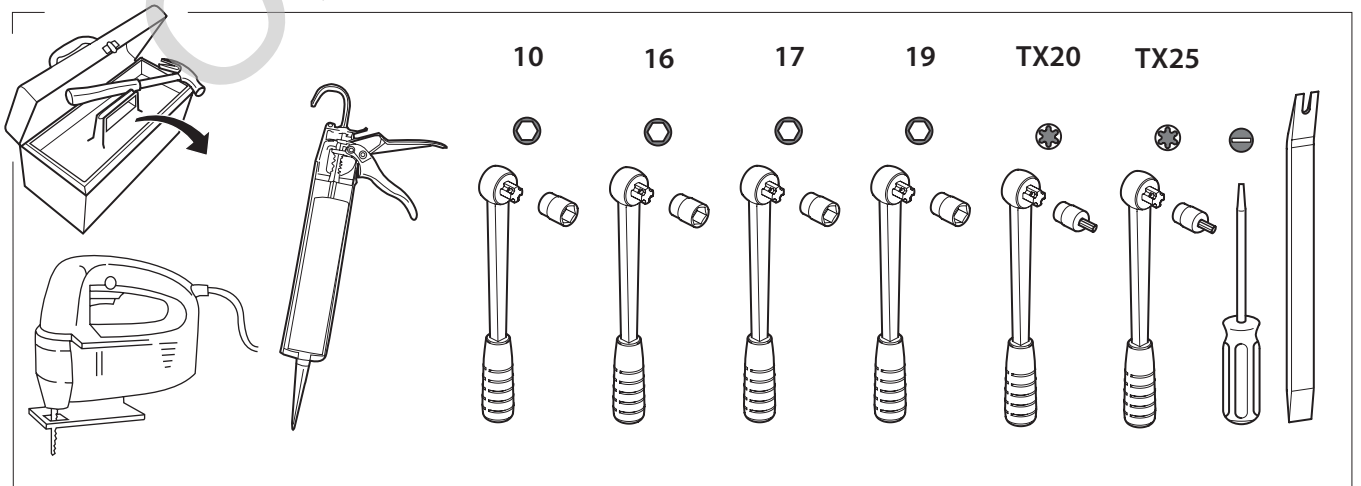
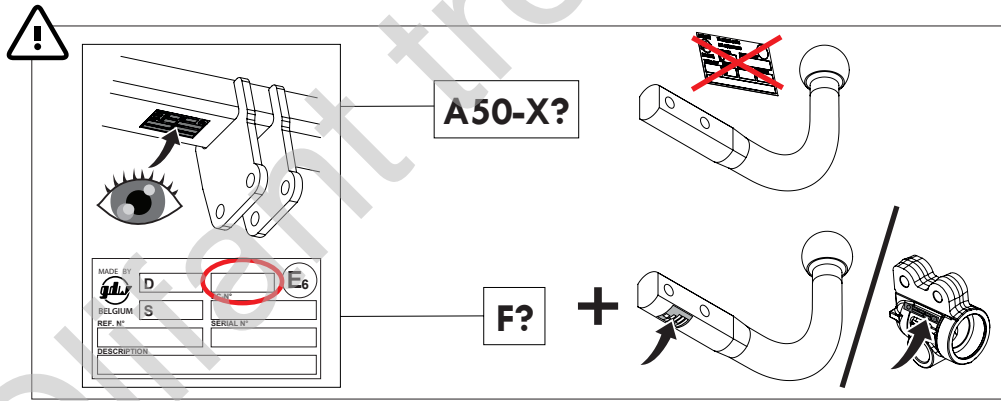
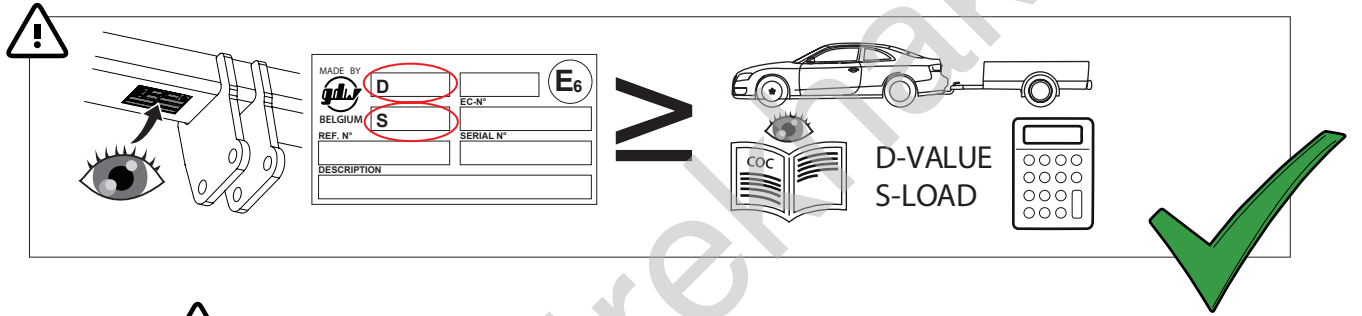
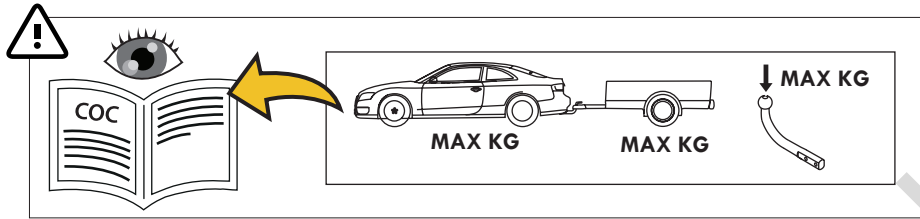
DESCRIPTION
Audi A4 & Audi A5

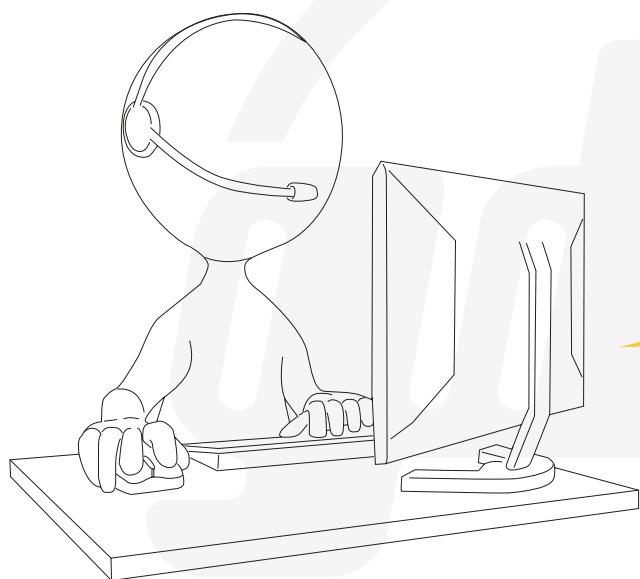
!

D =
$$\frac{\text{max kg (car)} \times \text{max kg (trailer)}}{\text{max kg (car)} + \text{max kg (trailer)}} \times 0.00981 \leq 11,00 \text{ kN}$$

S =
$$\leq 100 \text{ kg} \quad \leq 2150 \text{ kg}$$

See the Certificate Of Conformity (COC) of your vehicle or contact your dealer to verify the max. trailer weight of your car!

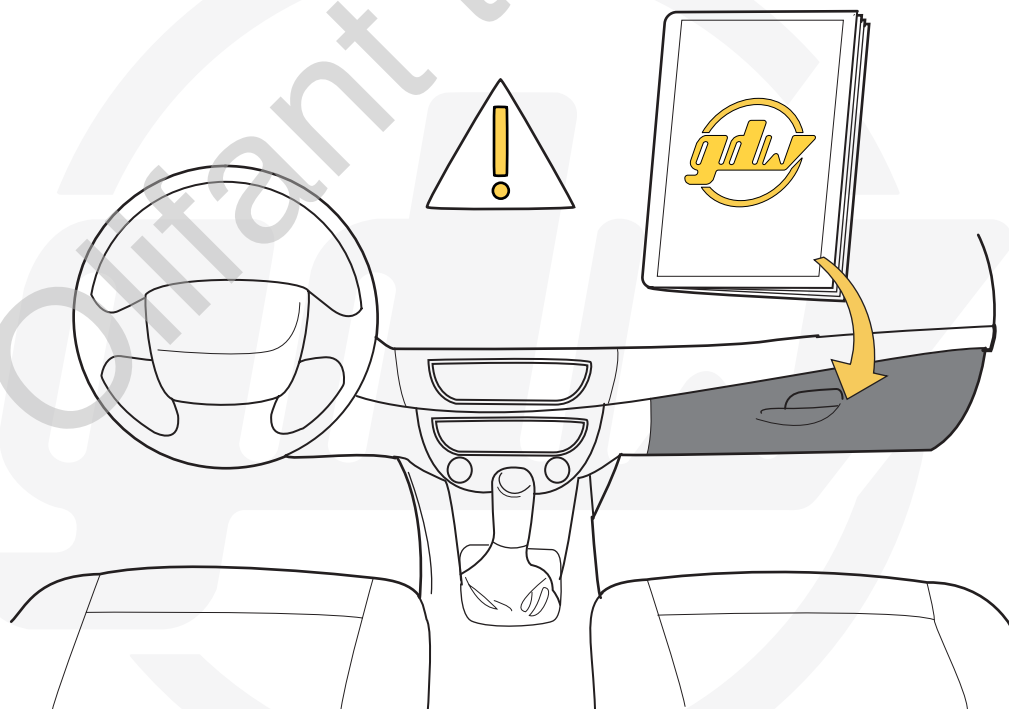


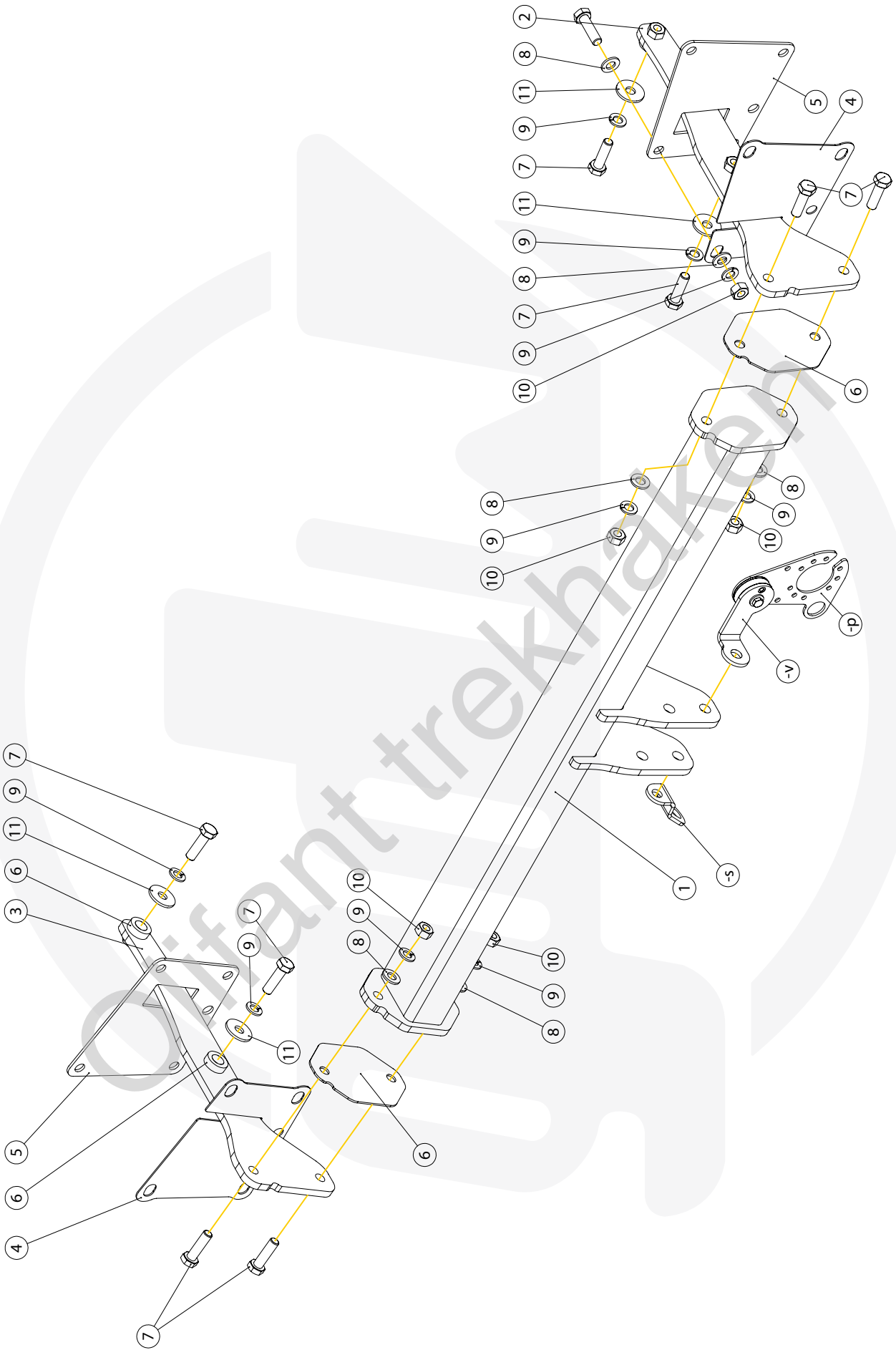


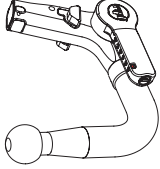

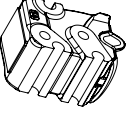




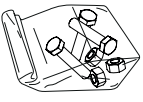




helpdesk@gdwtowbars.com

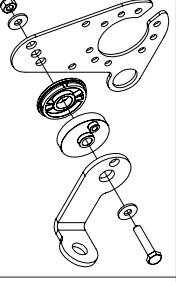




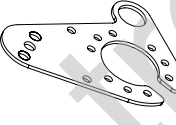

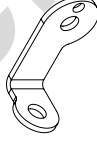
+32 56 62 77 79

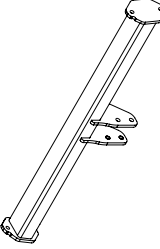
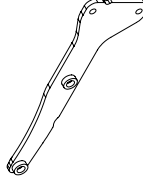
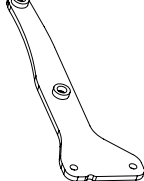
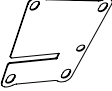
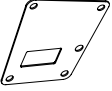





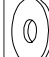

Monday	08:00 - 12:00	12:30 - 16:30
Tuesday	08:00 - 12:00	12:30 - 16:30
Wednesday	08:00 - 12:00	12:30 - 16:30
Thursday	08:00 - 12:00	12:30 - 16:30
Friday	08:00 - 12:00	12:30 - 15:30



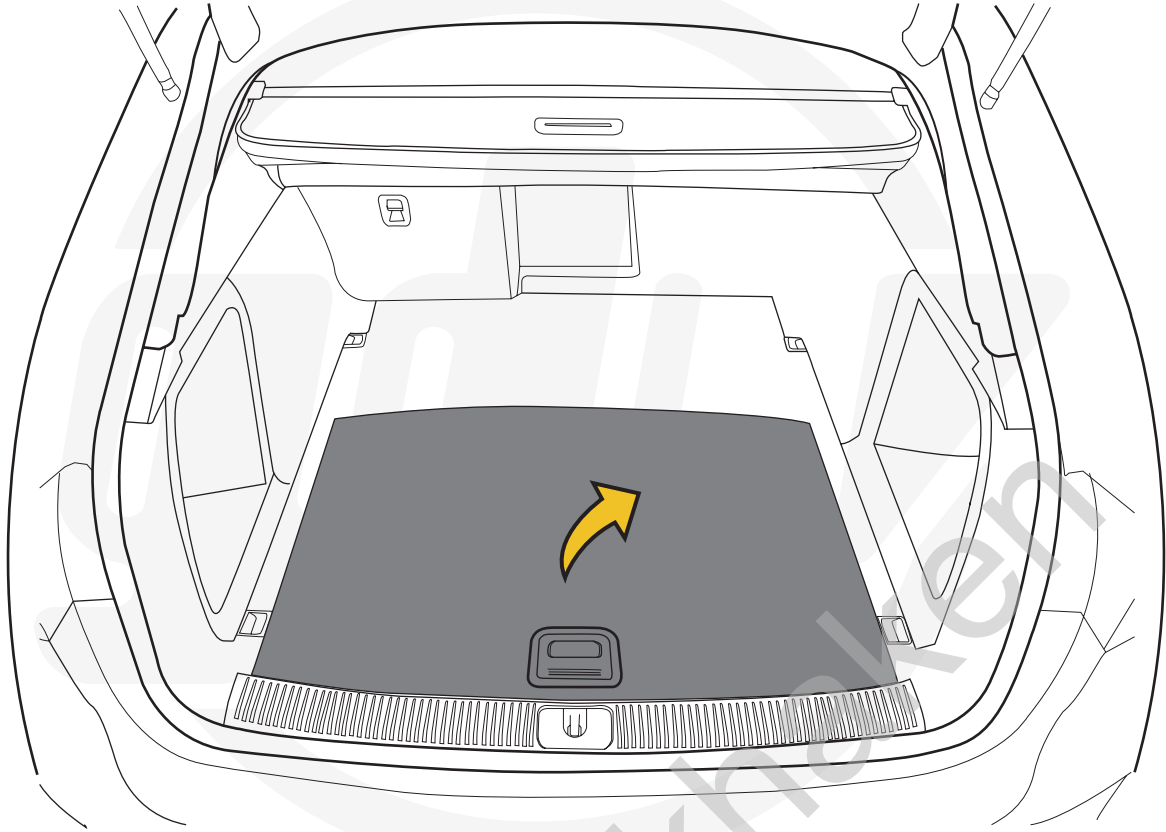


Geleverd met - Livré avec - Delivered with Gefieliefert mit - Elementos adjuntos-Leveres med		X1	GDW REF. 960.V0610
		X1	GDW REF. 740.200
		X1	GDW REF. 912.003
		X1	GDW REF. 740.112
		X1	GDW REF. 740.111
		X1	GDW REF. 740.114
		X1	GDW REF. 718.15.001
		X1	GDW REF. SYST60-100
		X2	DIN933-M12 X 25
		X2	DIN933-M12 X 20
		X4	Ø 14 X 24 X 1
		X4	DINT28A-M12

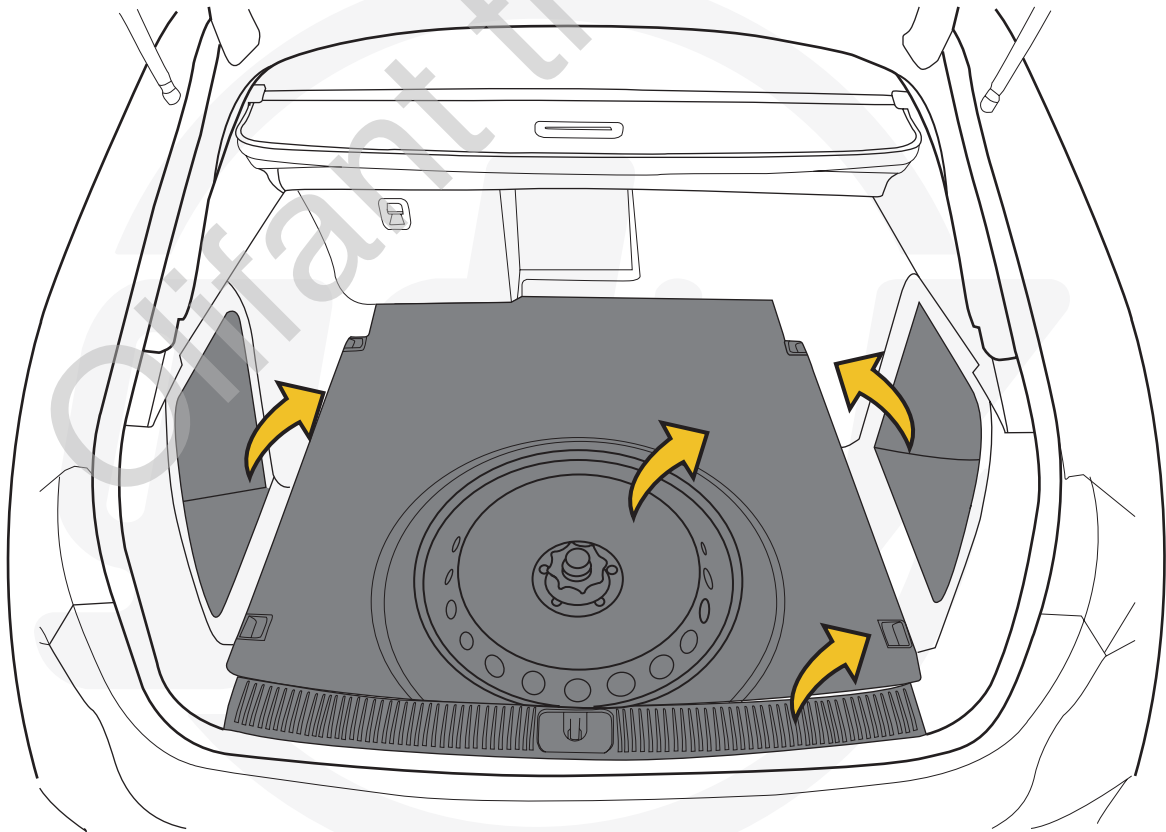
	X1	GDW REF. P46
	X1	DIN985-M6
	X2	6,2 X 15,4 X 1,6 (NYLON)
	X1	GDW REF. 718.16.002
	X1	GDW REF. 718.16.003
	X1	GDW REF. 908.094
	X1	DIN933-M6 X 30
	X1	GDW REF. 908.101

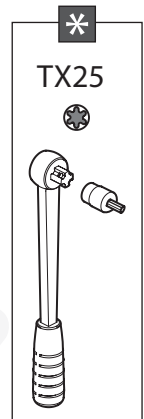
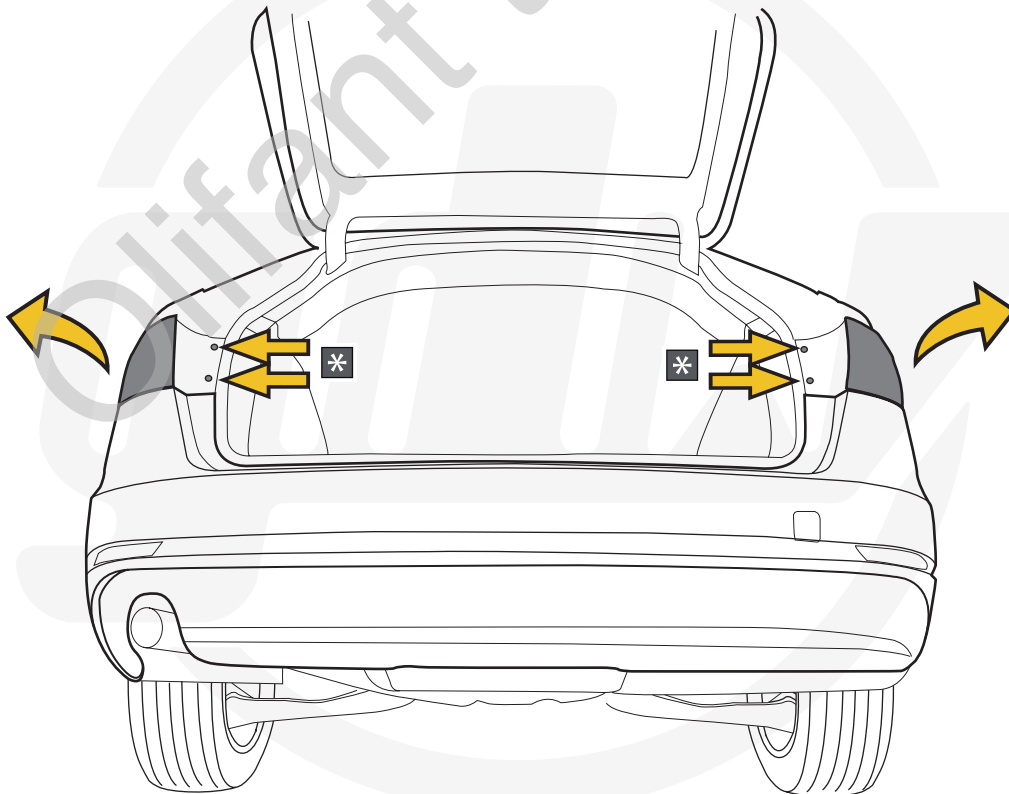
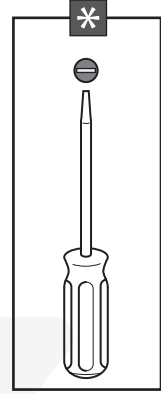
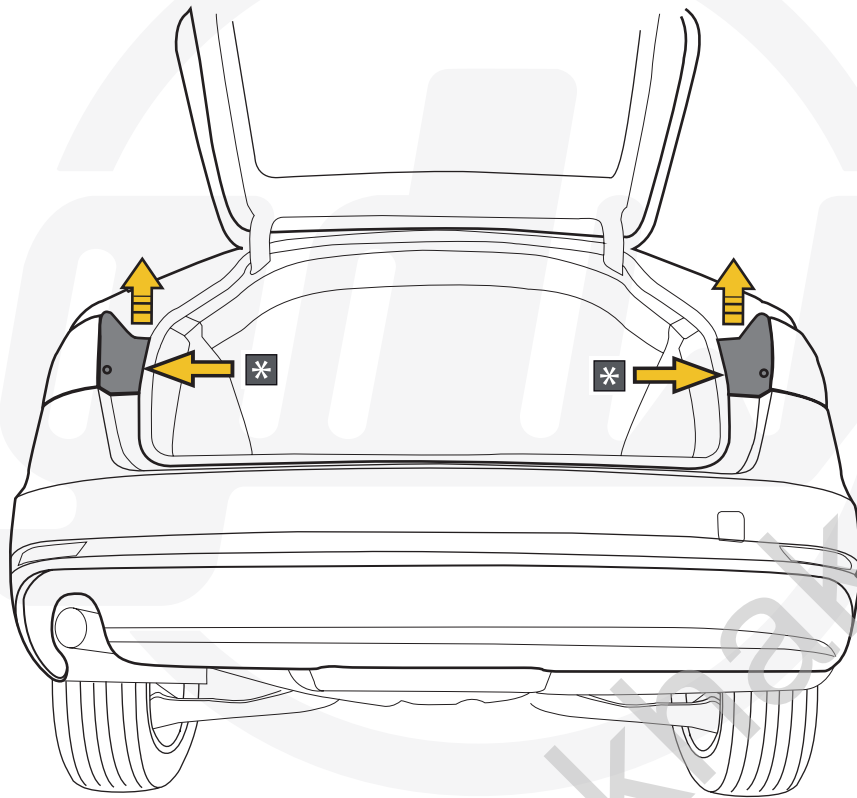
	X1	GDW REF. 2131T60
	X1	GDW REF. 2
	X1	GDW REF. 3
	X2	GDW REF. 4
	X2	GDW REF. 5
	X2	GDW REF. 6
	X9	DIN933-M10X35 10.9
	X6	DINT25-A10-14OHV-ELVZ
	X9	DINT28A-M10
	X5	DIN934-M10 KL10
	X4	DIN9021-M10-ELVZ
	X1	GDW REF. 900.053

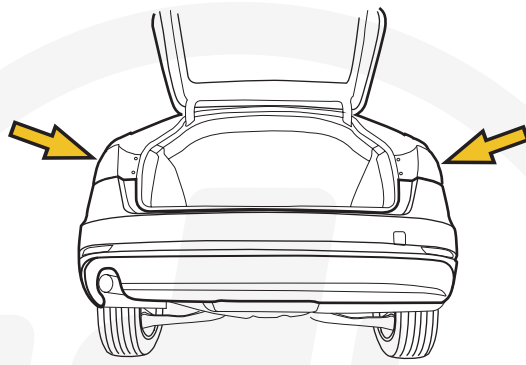
1



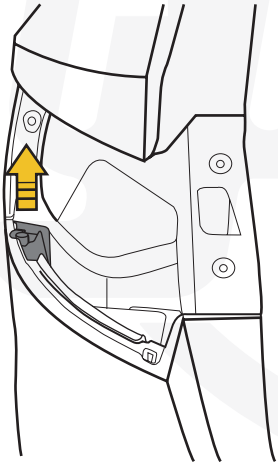
2



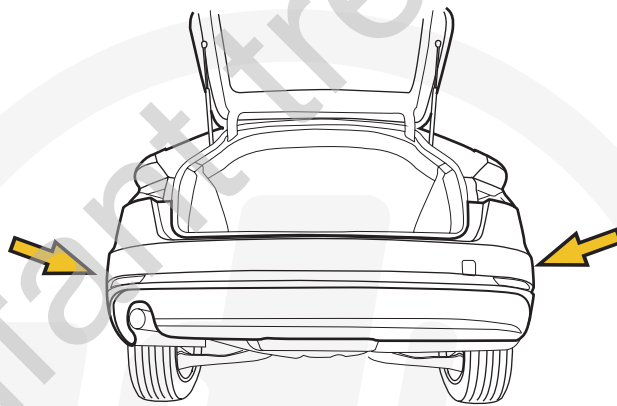
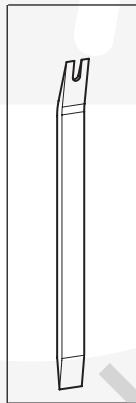
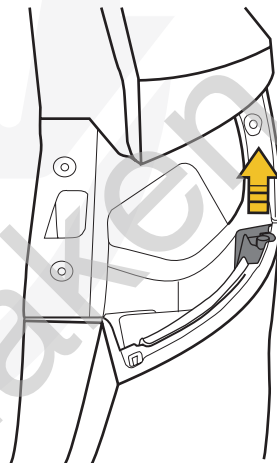




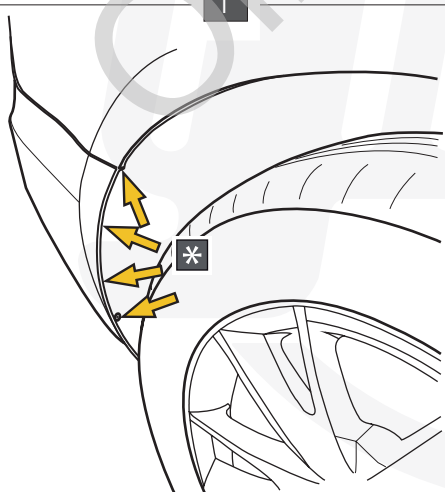
1



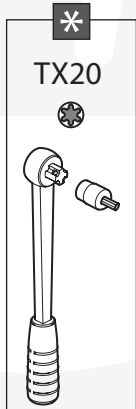
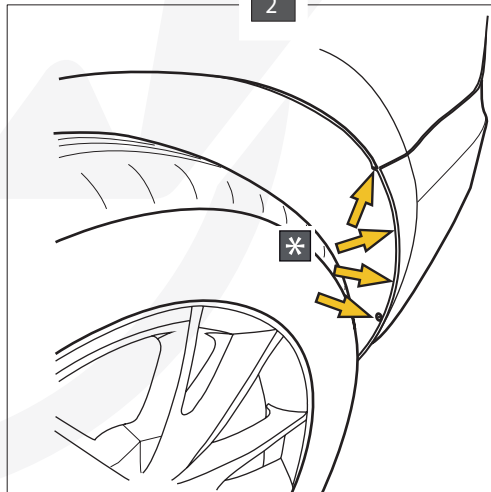
2

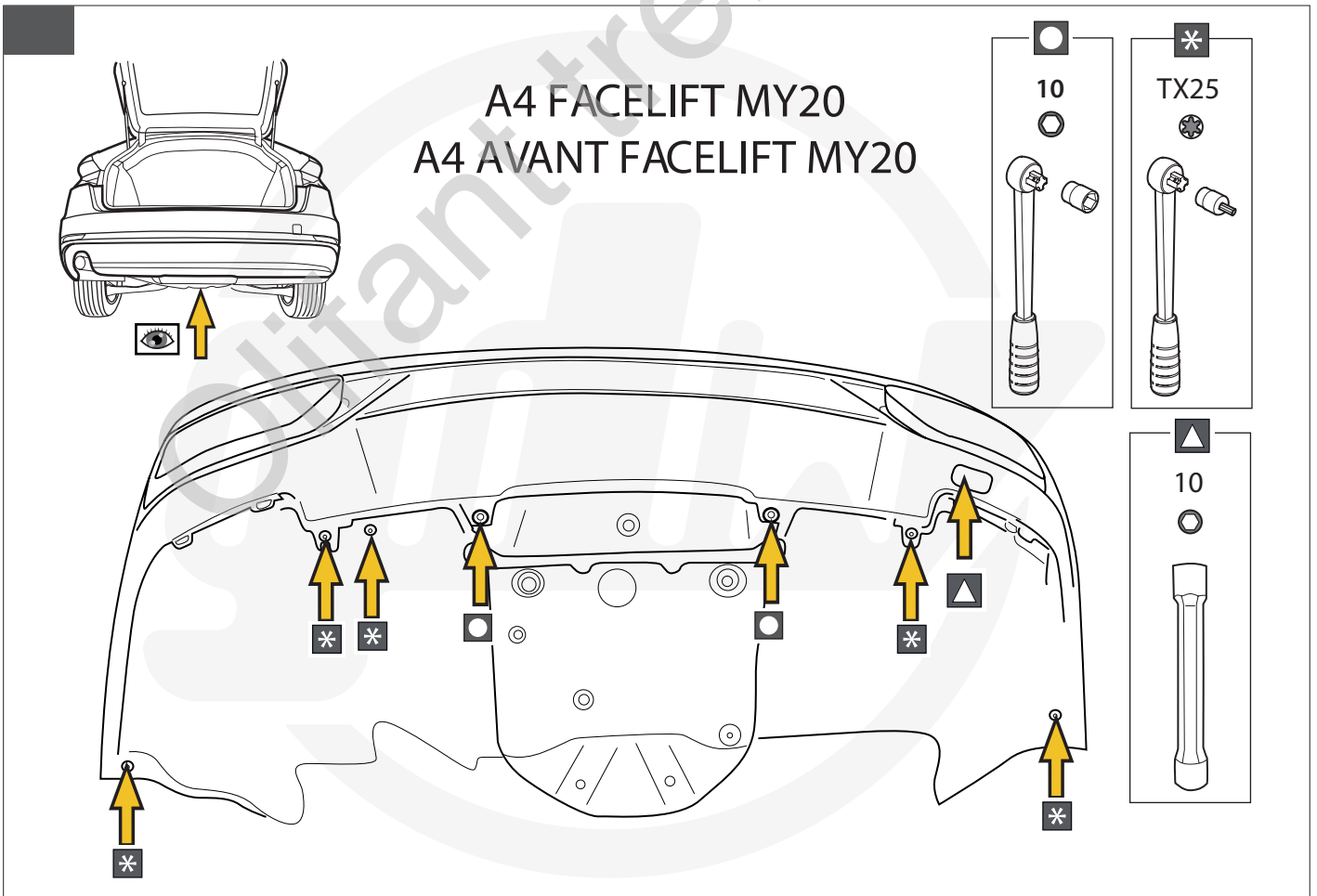
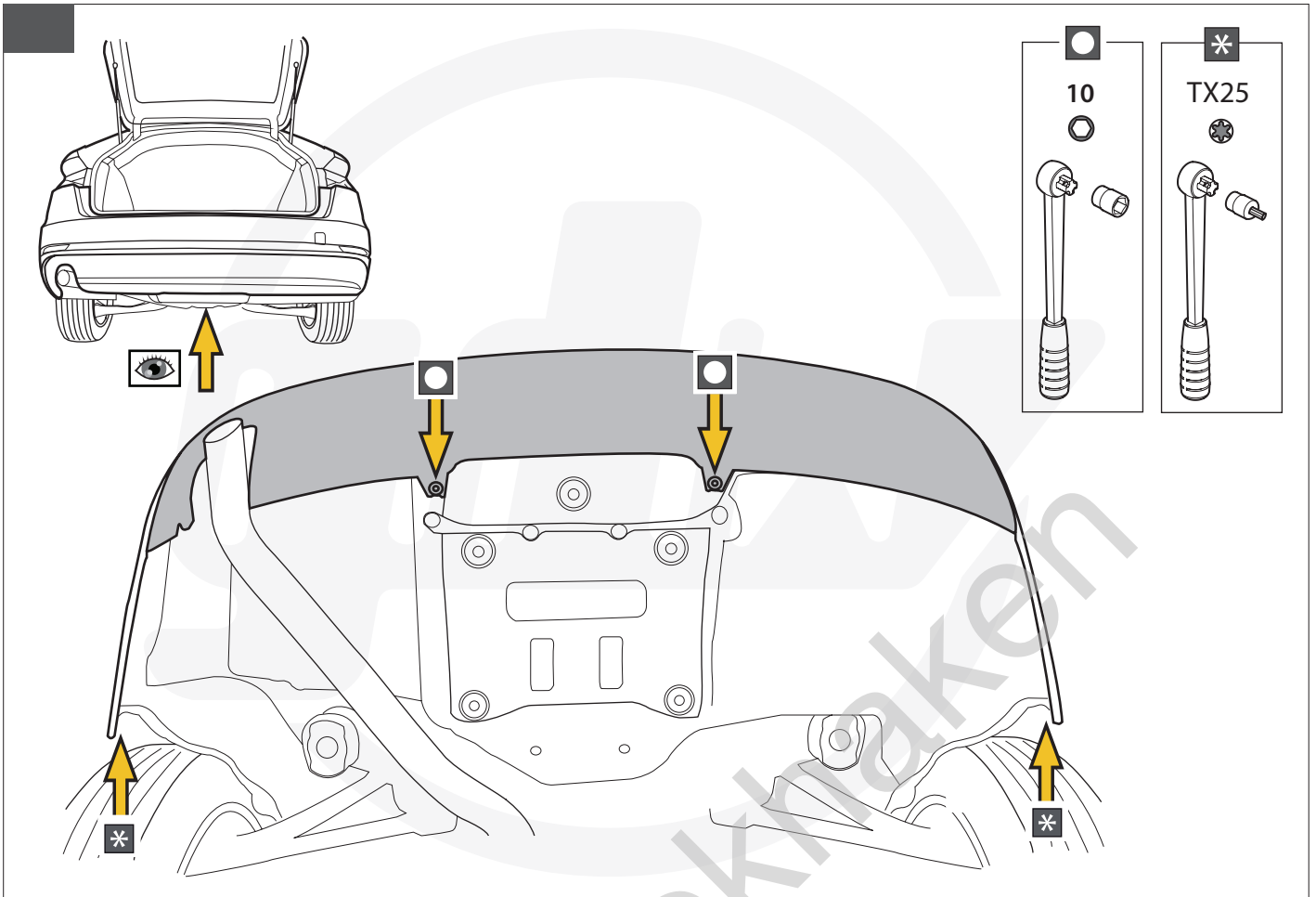


1

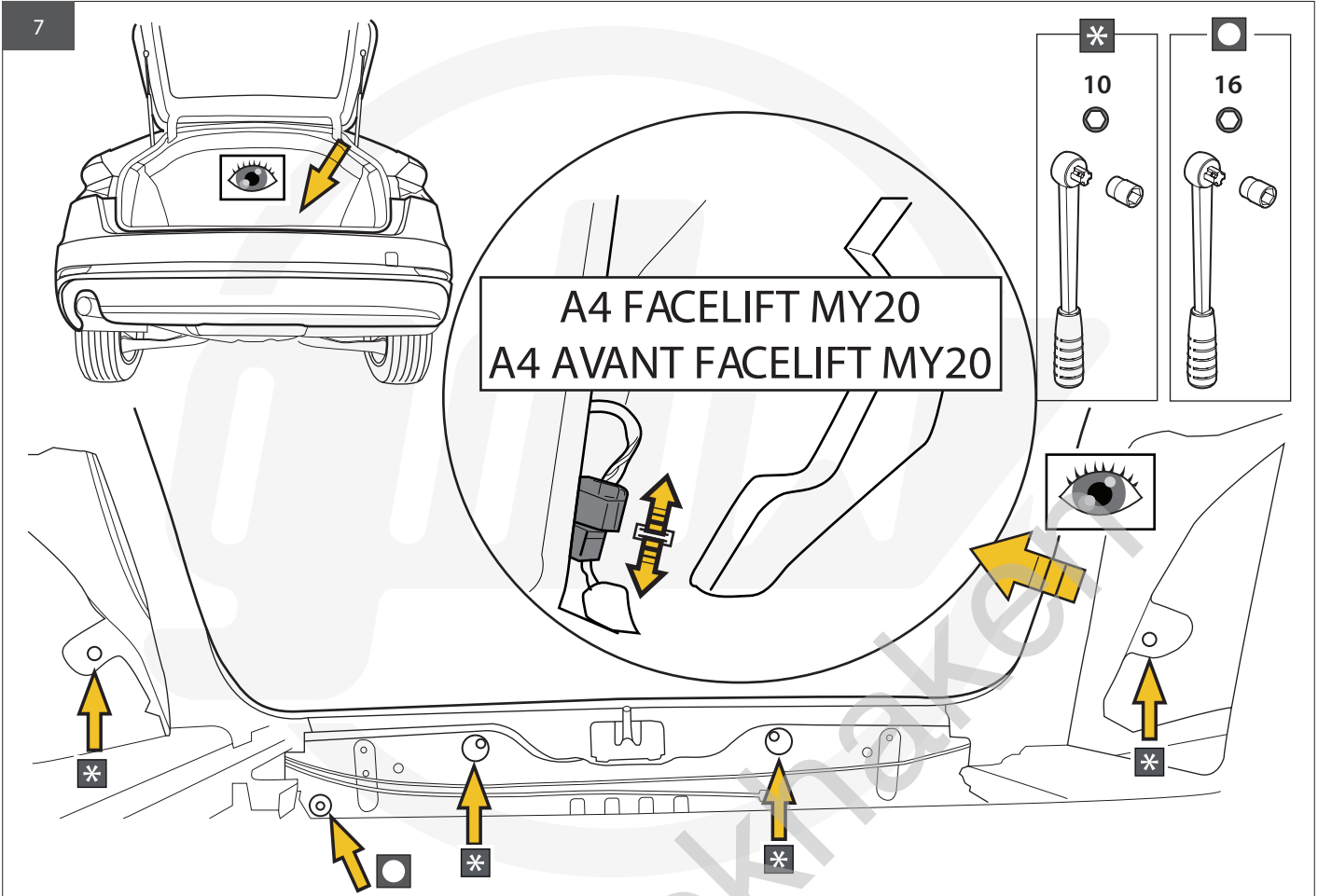


2

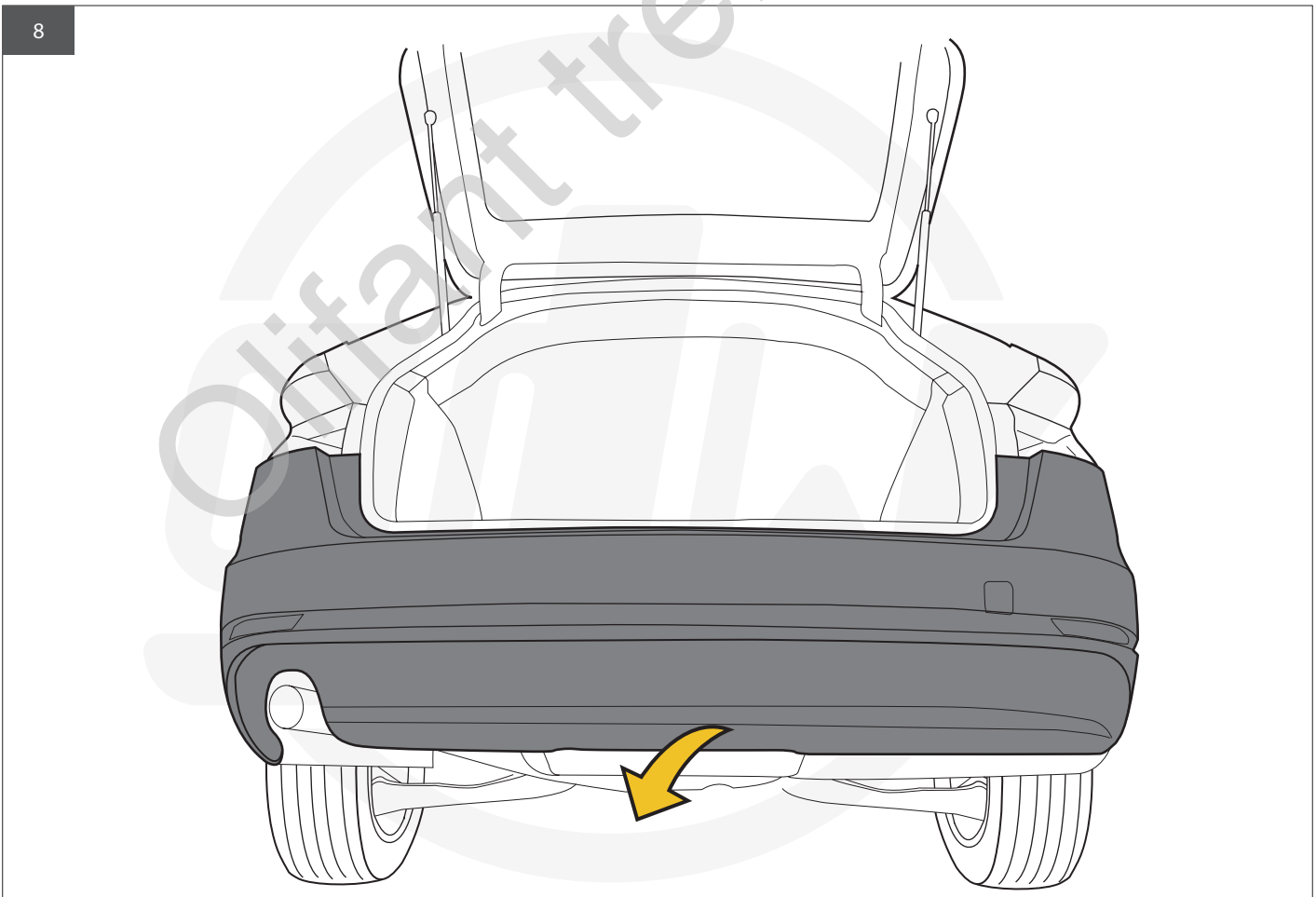




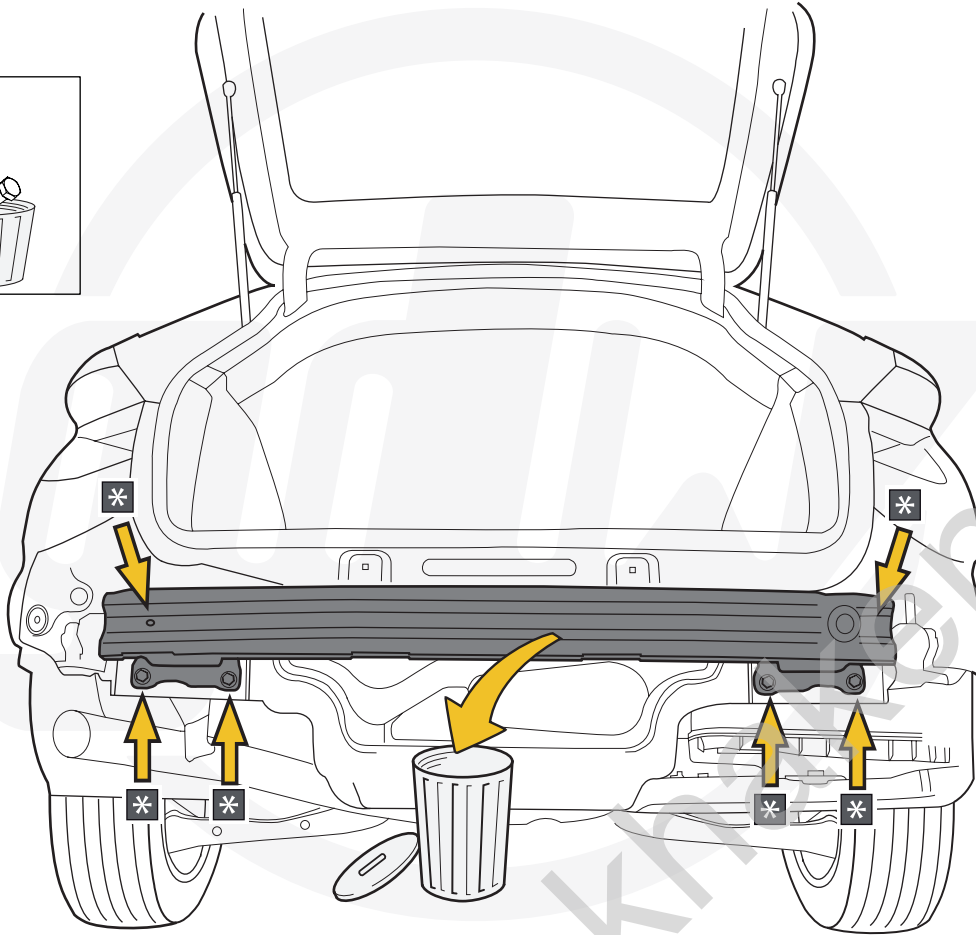
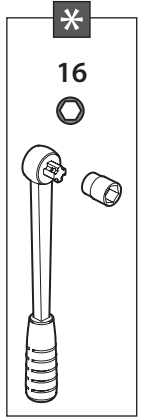
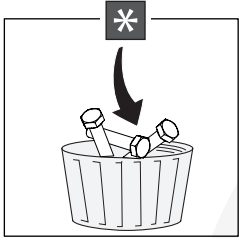
7



8

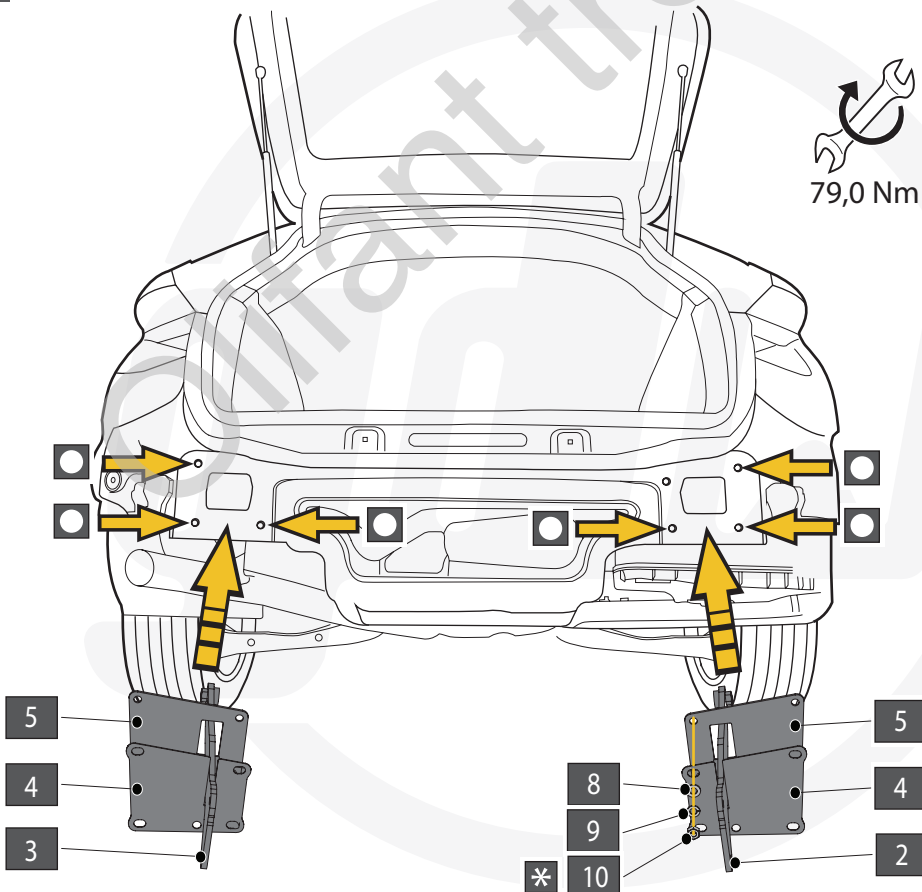
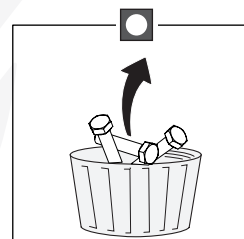
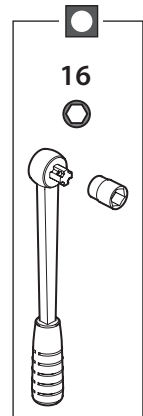
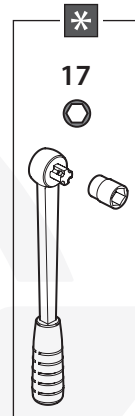


9

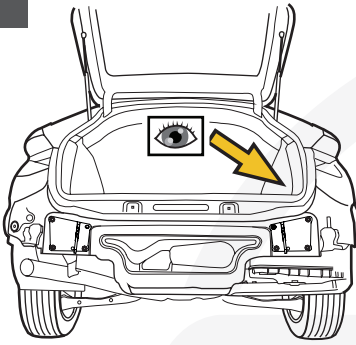


10

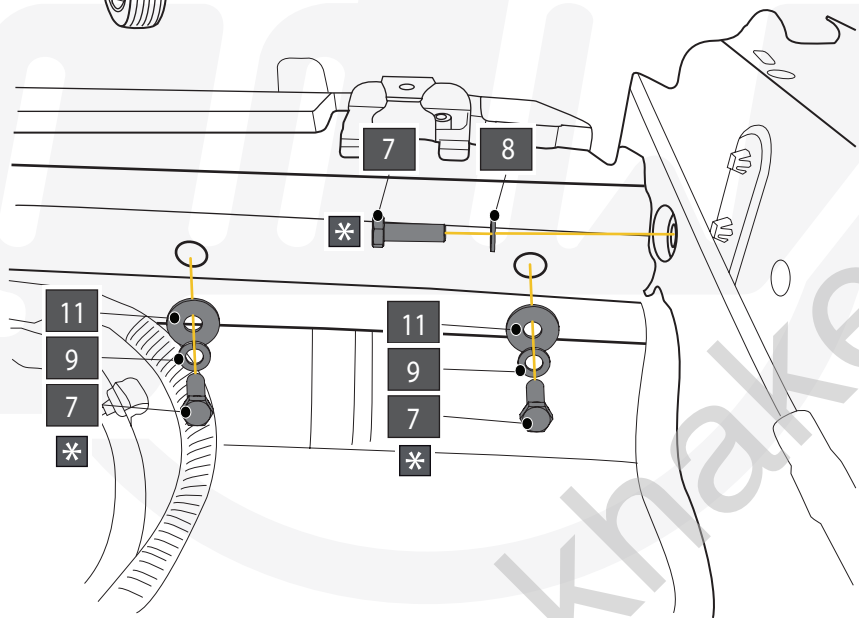
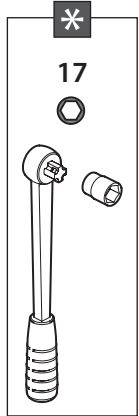

79,0 Nm



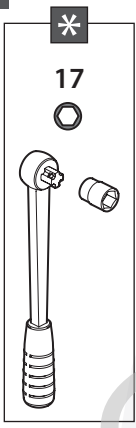
11



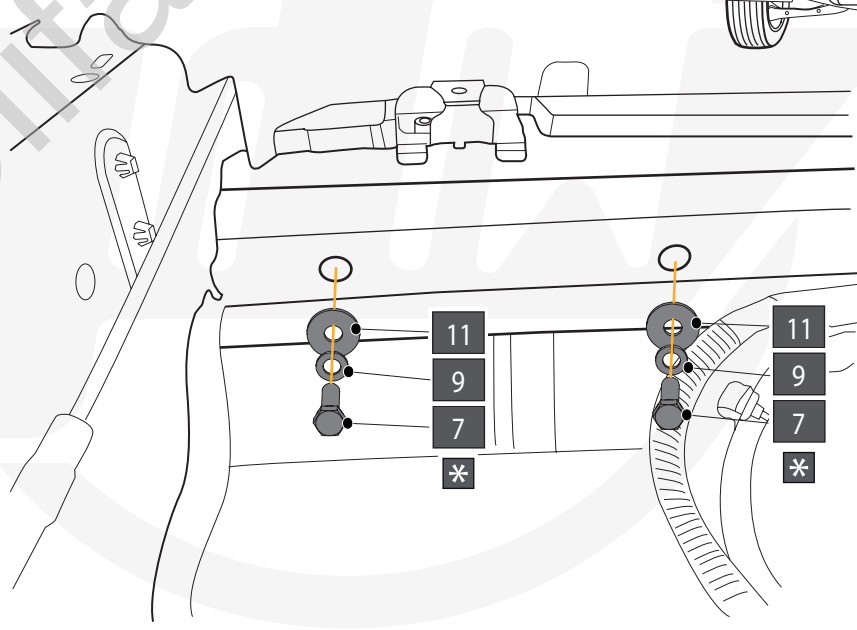
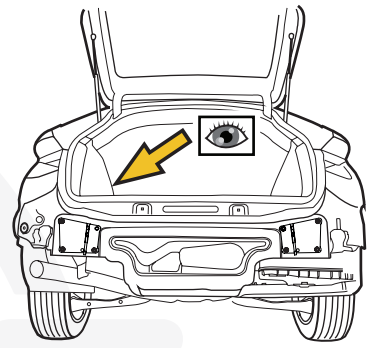

79,0 Nm

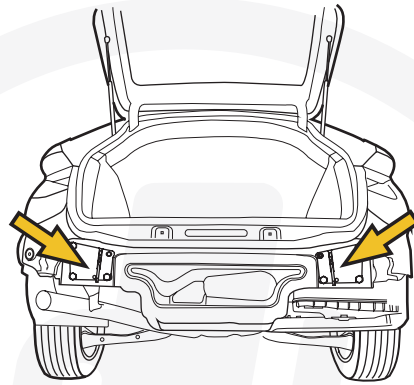


12

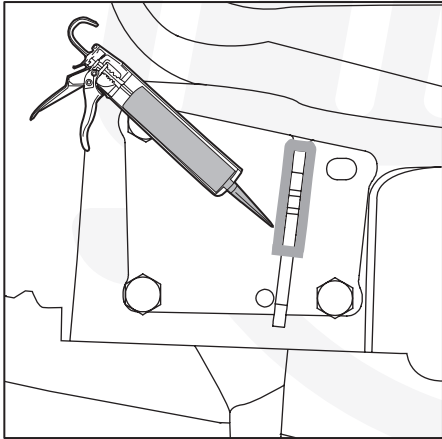



79,0 Nm

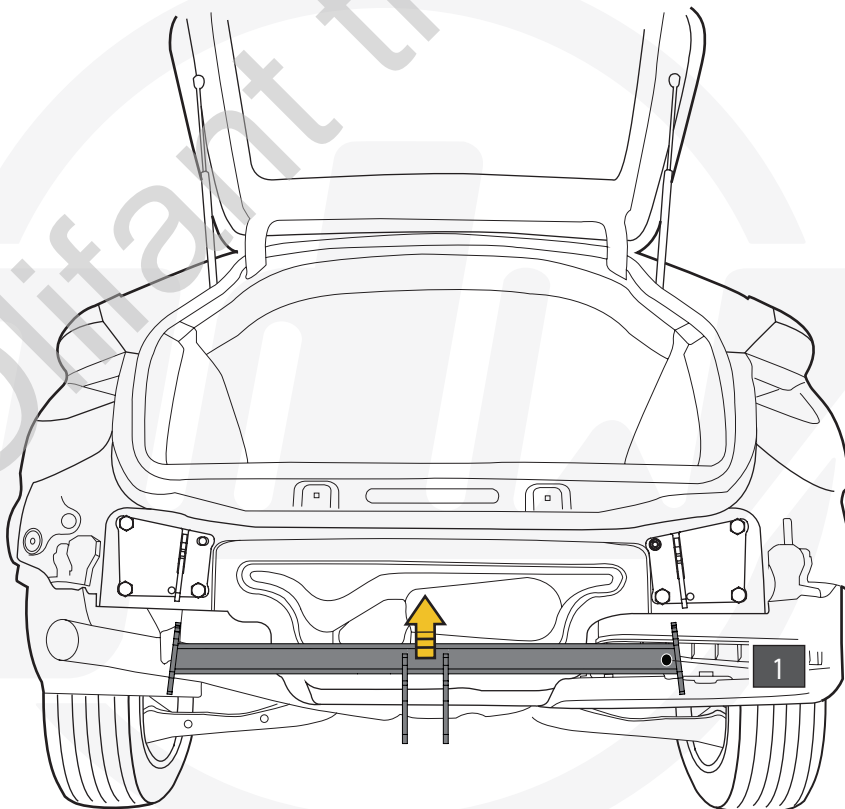
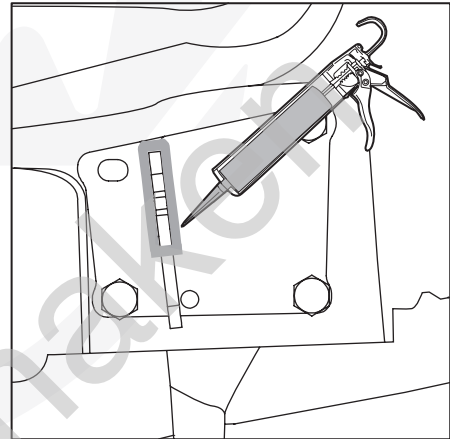


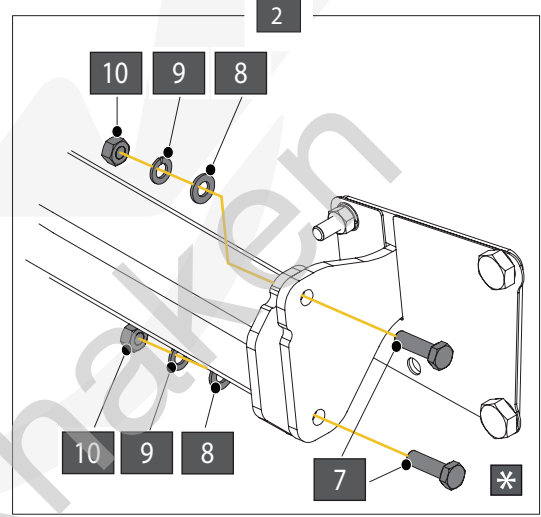
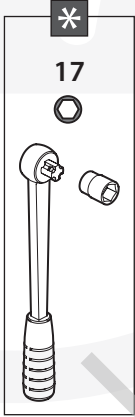
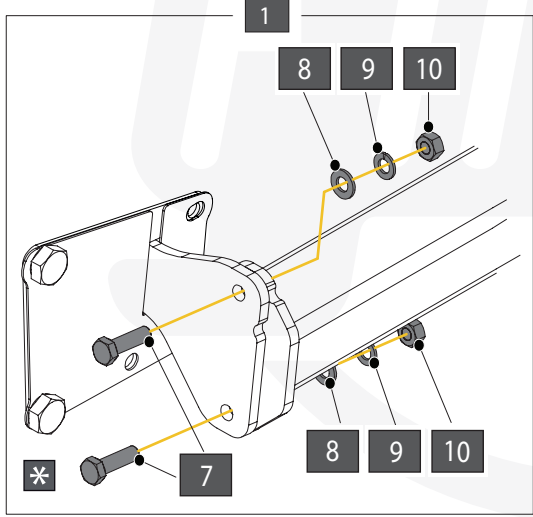
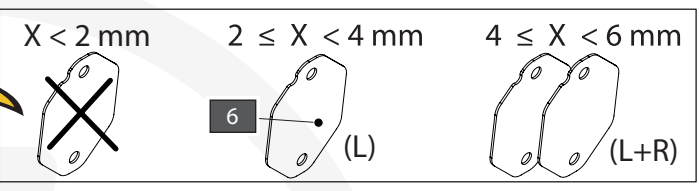
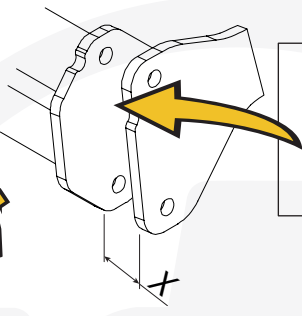
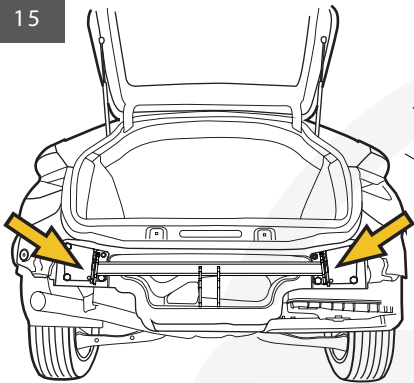


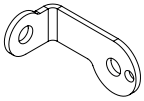




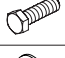
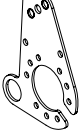
1

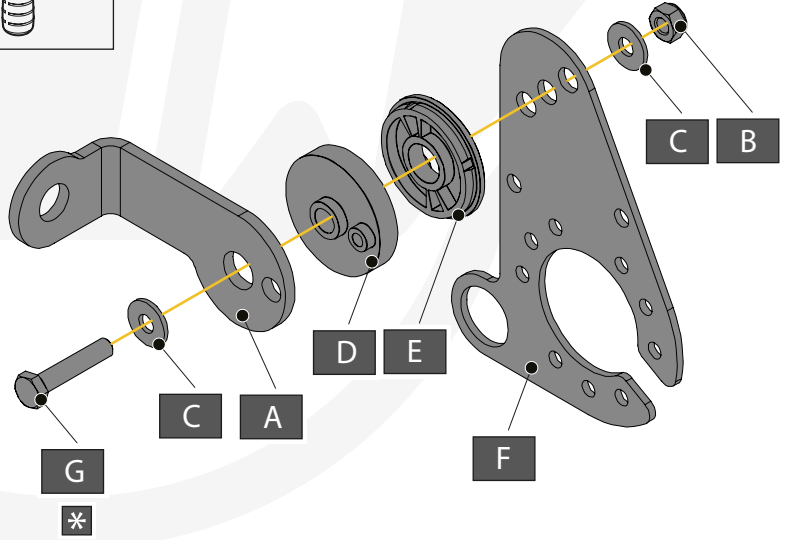
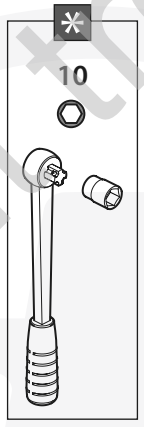


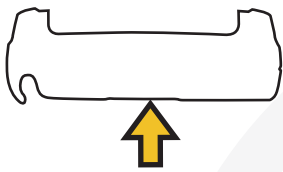
2



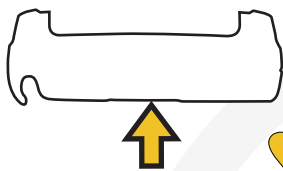
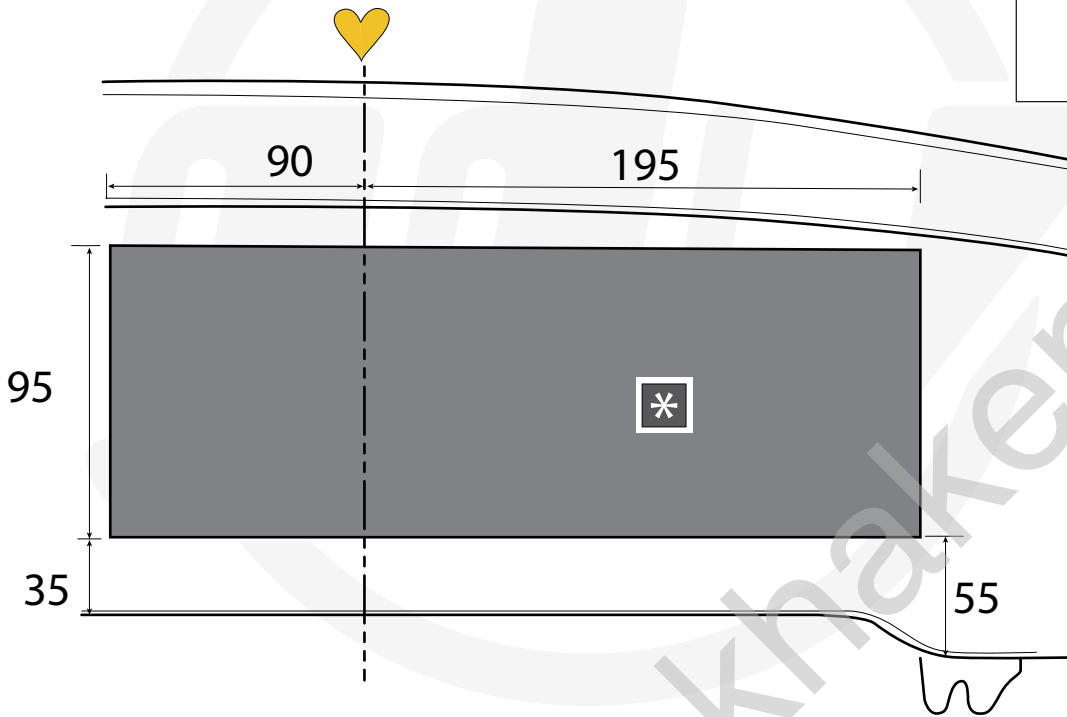
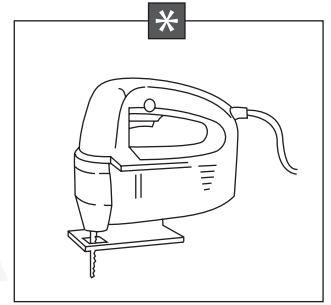


- A  X1 GDW REF. 908.101
- B  X1 DIN985-M6
- C  X2 Ø15,4 X 6,2 X 1,6 (NYLON)
- D  X1 GDW REF. 718.16.002
- E  X1 GDW REF. 718.16.003
- F  X1 DIN933-M6 X 30
- G  X1 GDW REF. 908.094

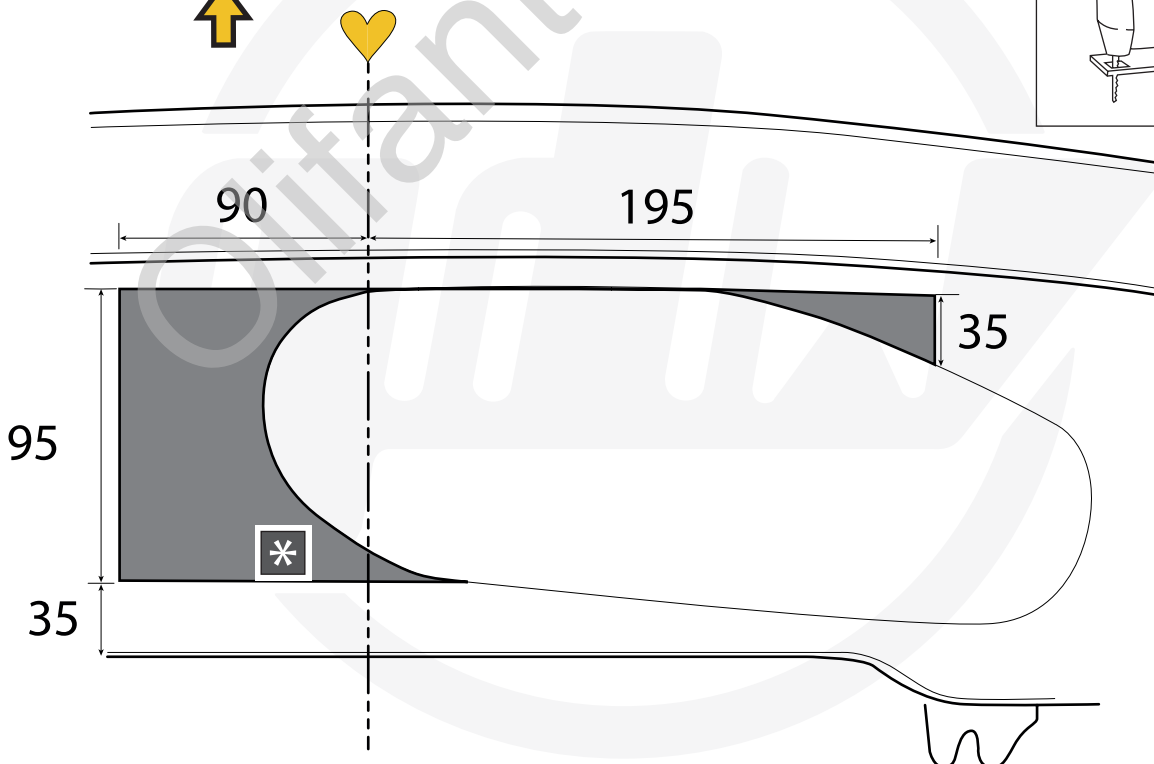
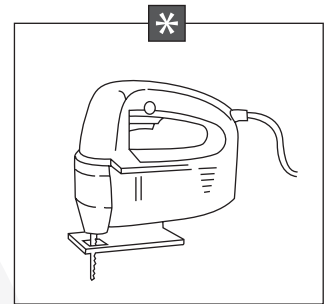


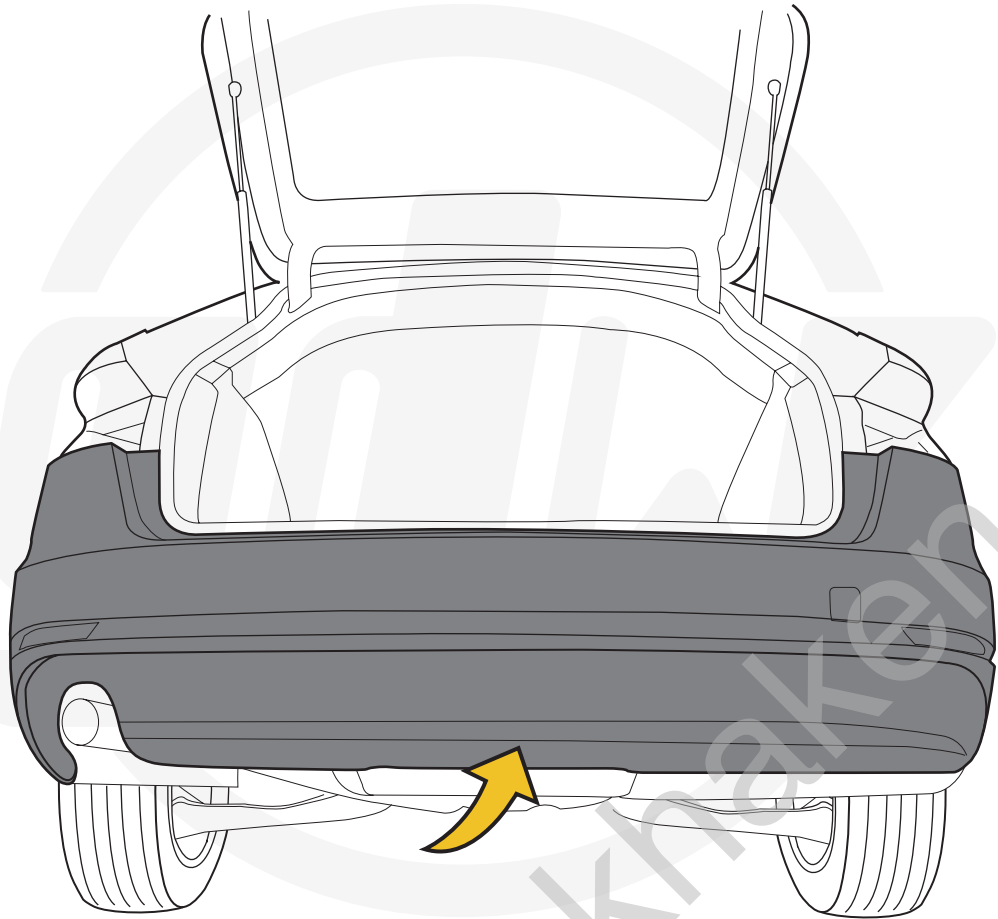


VEHICLE WITHOUT OPENING IN BUMPER



VEHICLE WITH OPENING IN BUMPER





A		X1	912.003
B		X2	DIN933-M12 X 25
C		X2	DIN933-M12 X 20
D		X4	Ø 14 X 24 X 1
E		X4	DIN128A-M12
-S		X1	GDW REF. 900.053