

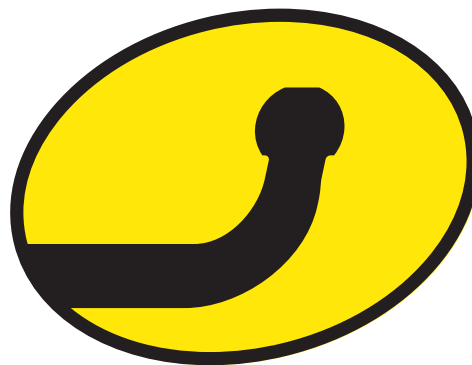
**AUTO-HAK Sp. z o.o.**

ul. Słoneczna 16K 76-200 SŁUPSK  
POLAND

tel/fax +48 59 8 414 414; +48 59 8 414 413

e-mail: [office@autohak.com.pl](mailto:office@autohak.com.pl)

[www.autohak.com.pl](http://www.autohak.com.pl)



**AUTO-HAK**

**SUZUKI SWIFT**  
**3/5 D, 2+4WD ~~SPORT~~ ⚠**

Nr kat.

**W29**



09.2010 → 03.2017

**e20**

**e20\*94/20\*1404\*00**



**2h**

**D**

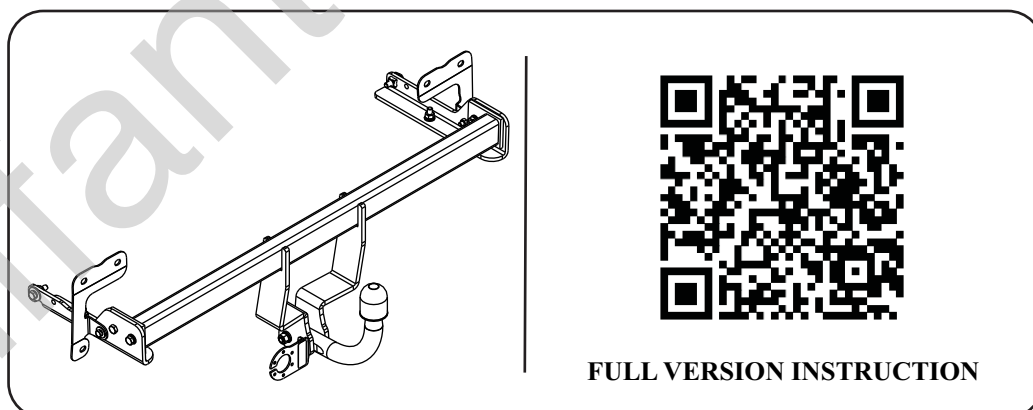
**6,0 kN**



**R=1000 kg**



**S=60 kg**



FULL VERSION INSTRUCTION



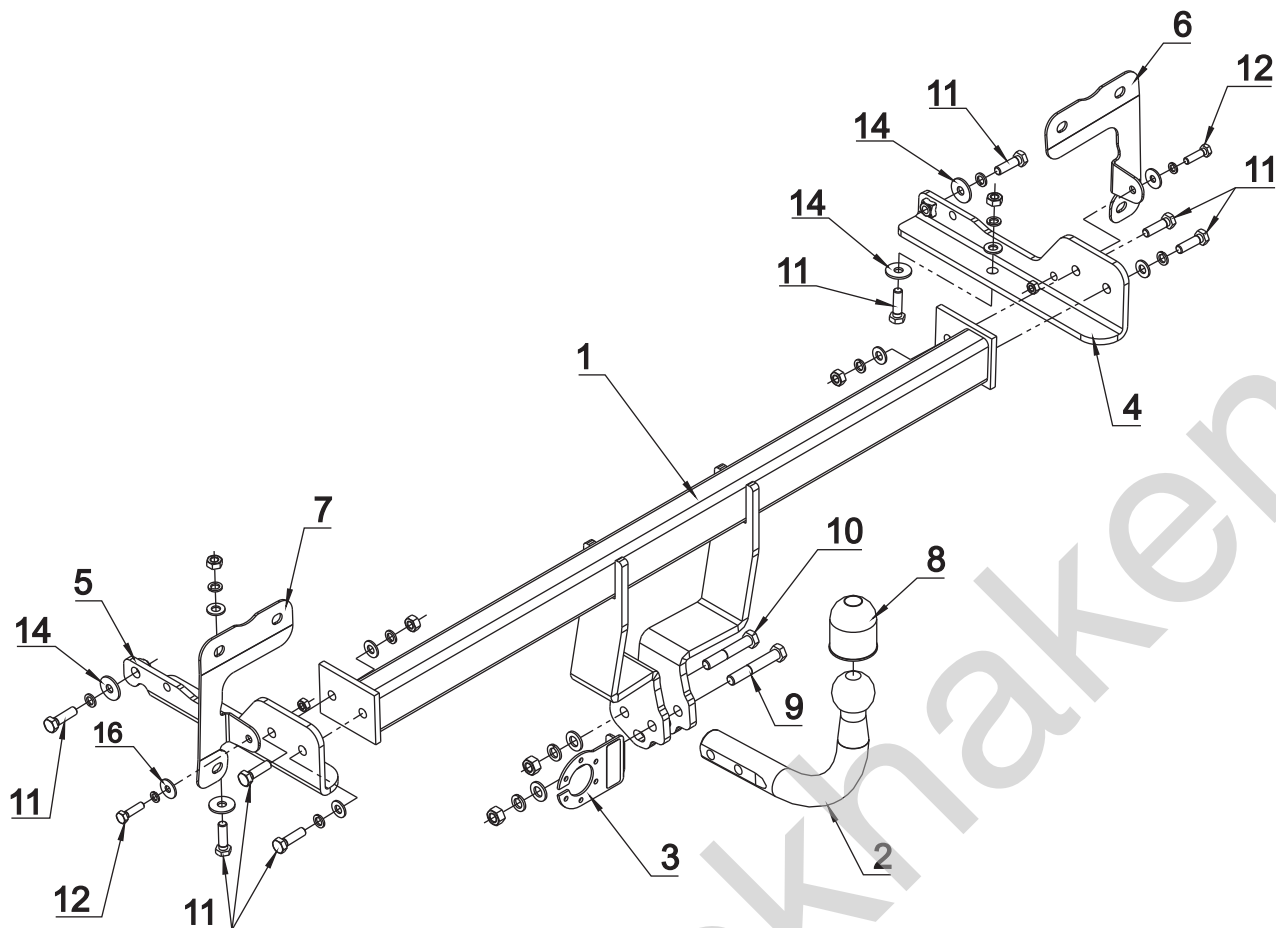
śruba	Nm	M6	M8	M10	M12	M14	M16
klasa 8.8		9,9	24	48	83	132	200
klasa 10.9		14	34	67	117	185	285



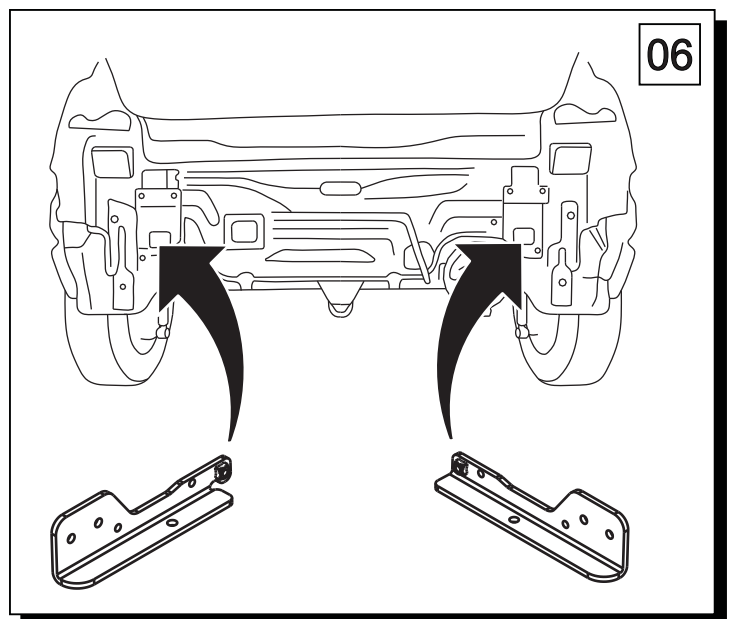
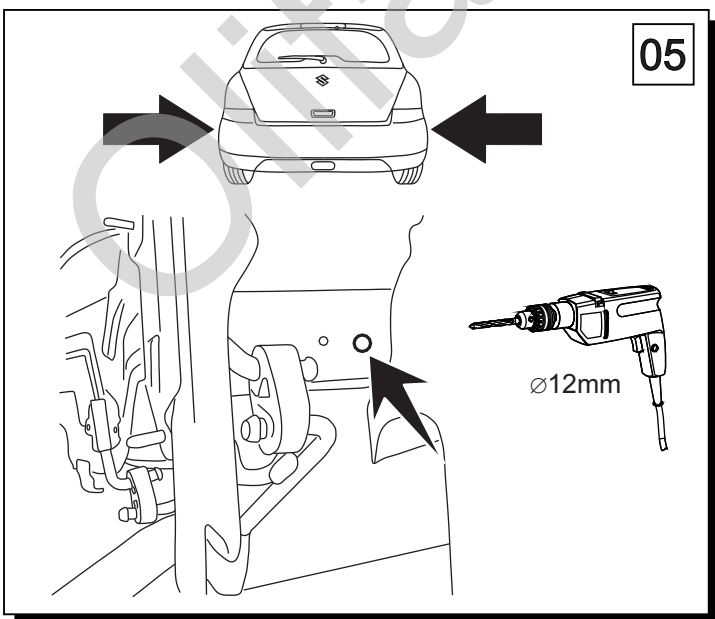
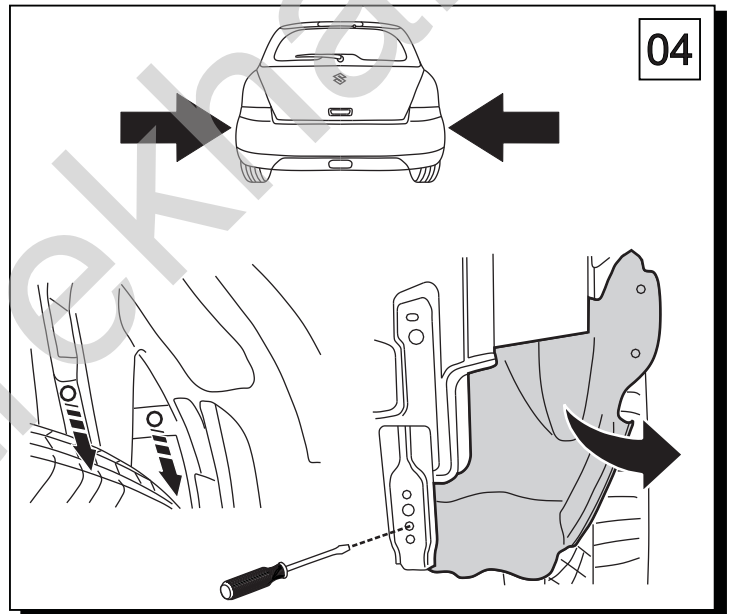
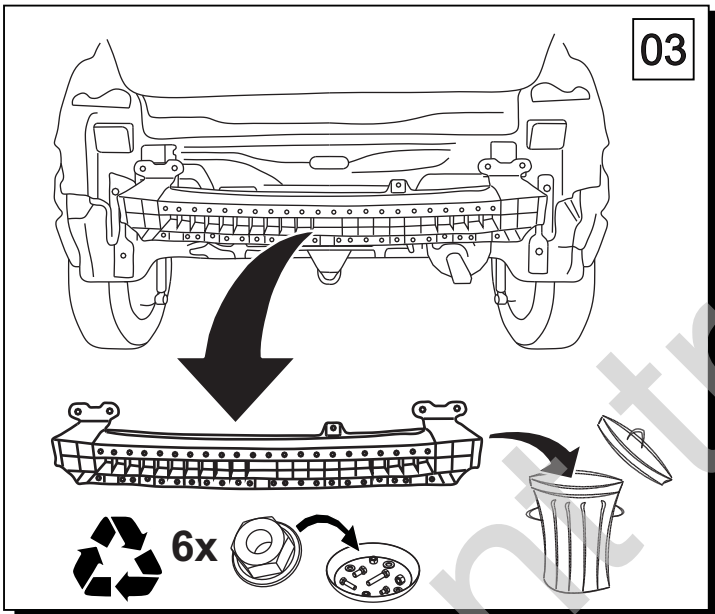
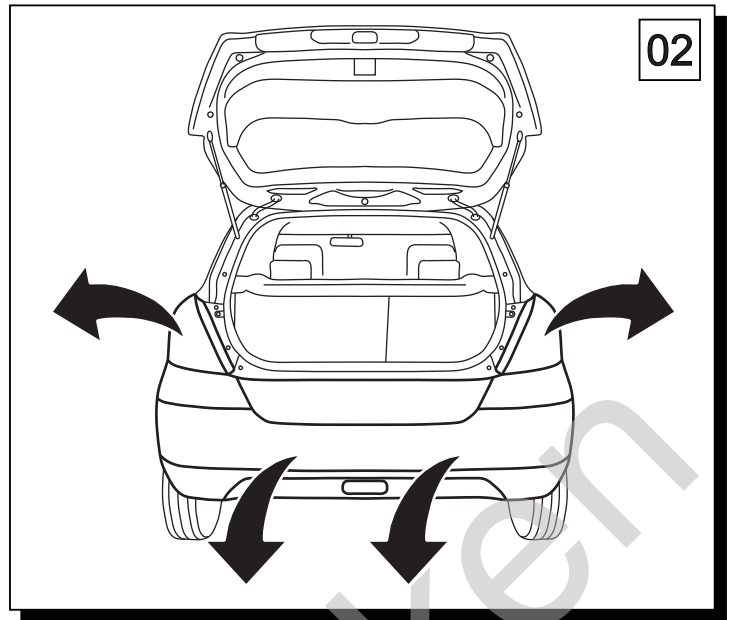
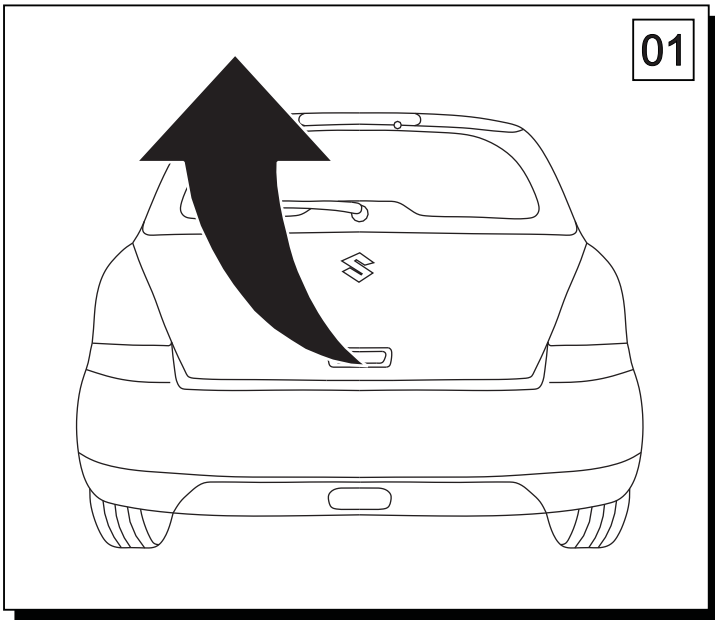
**0 km →**

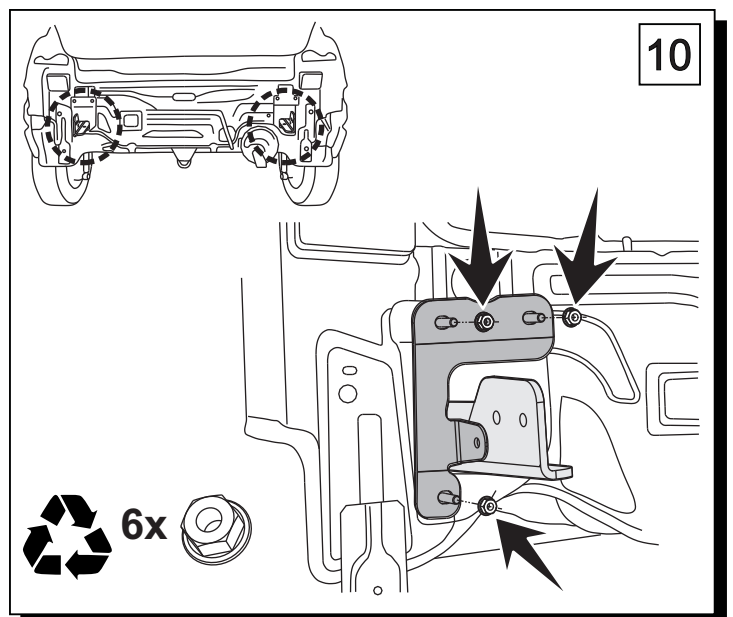
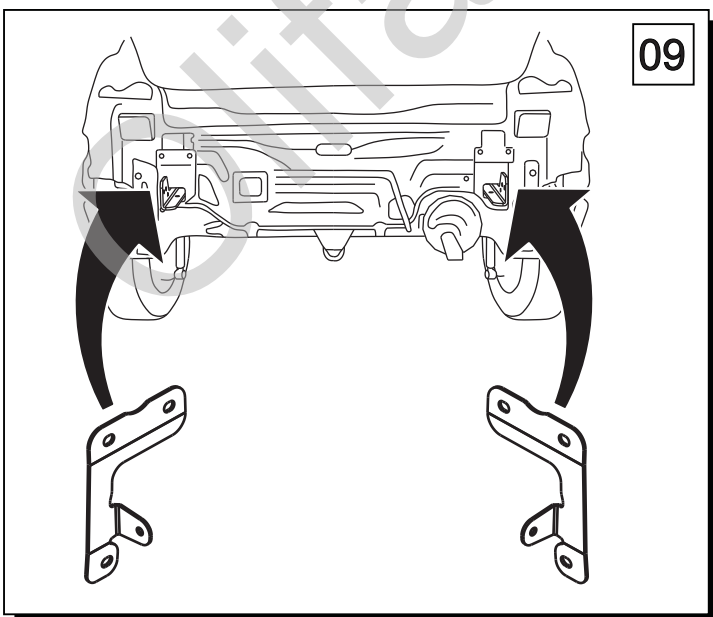
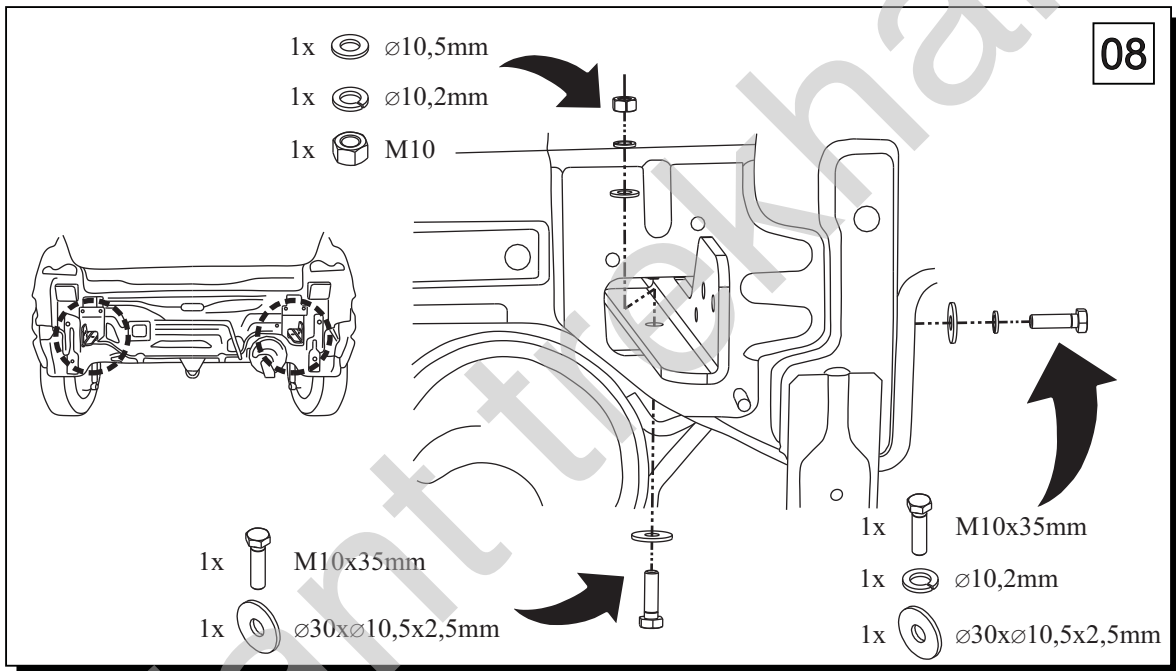
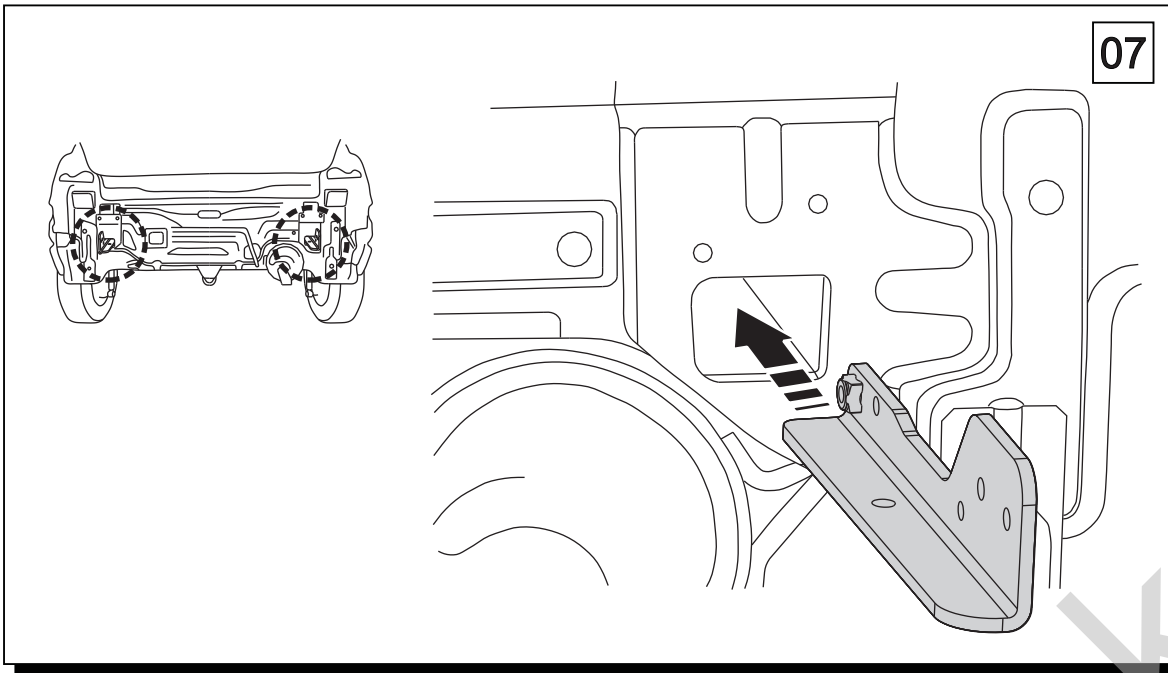


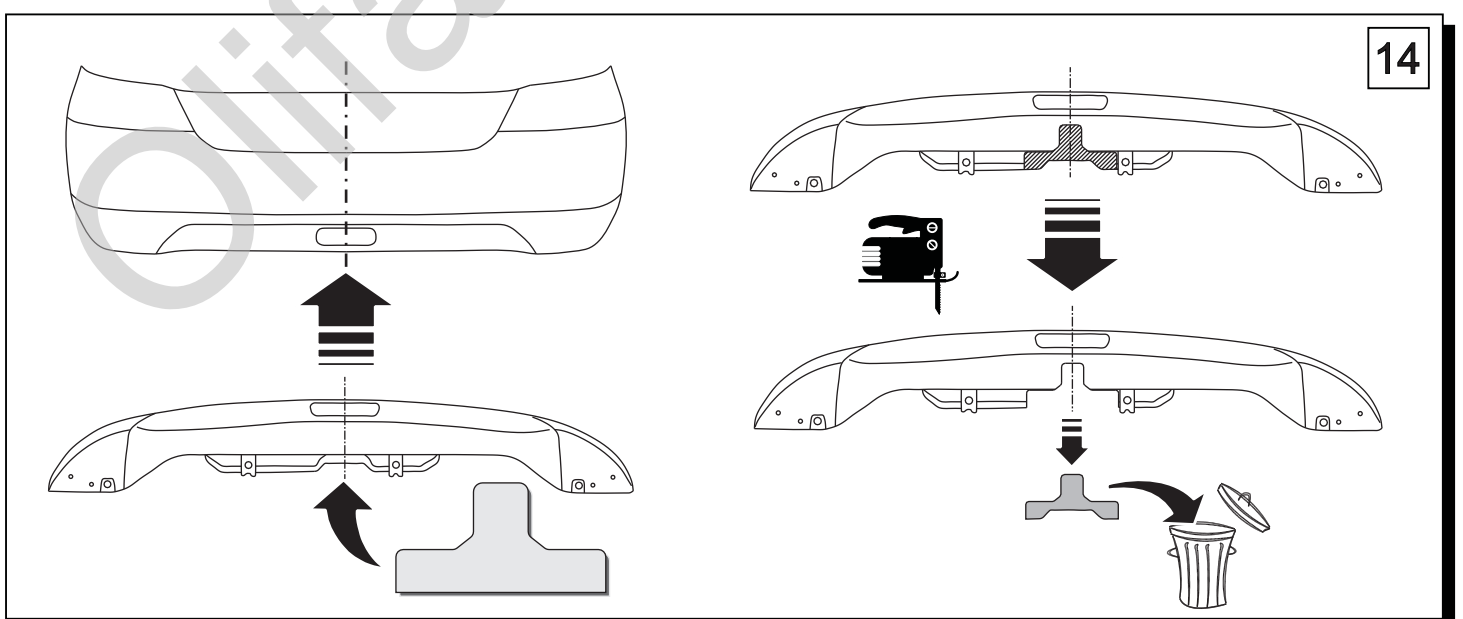
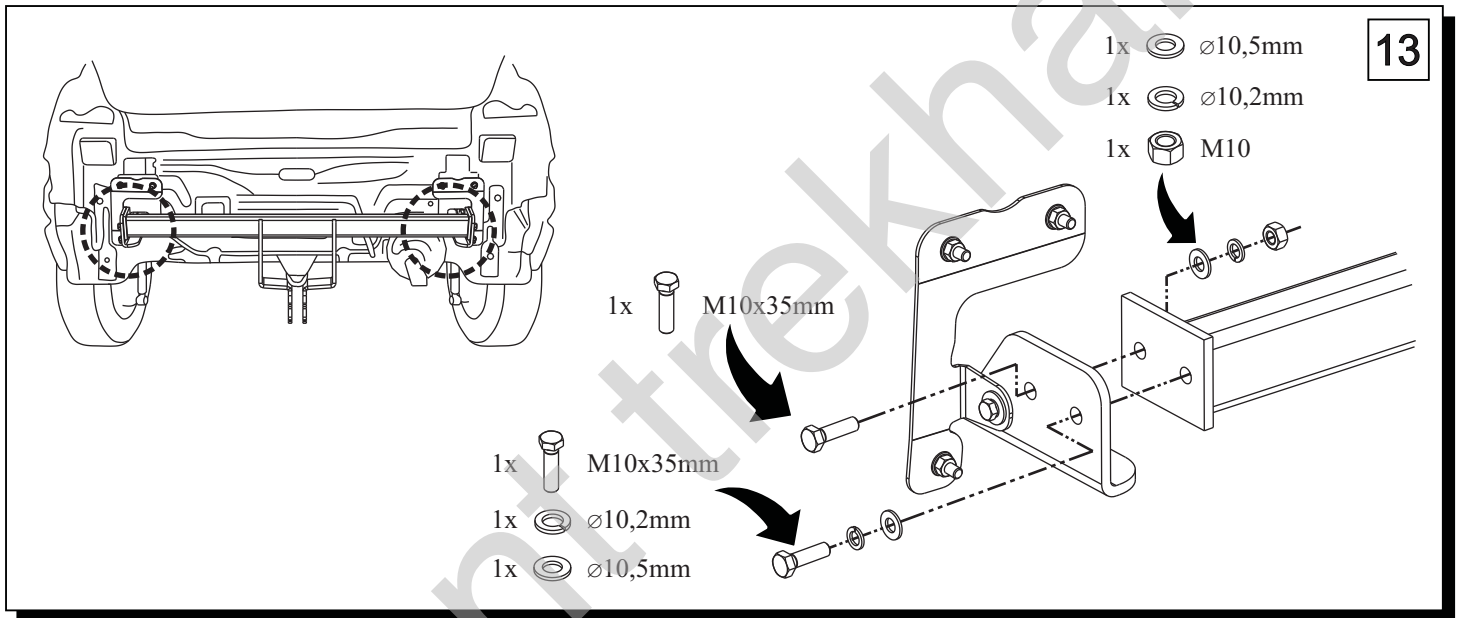
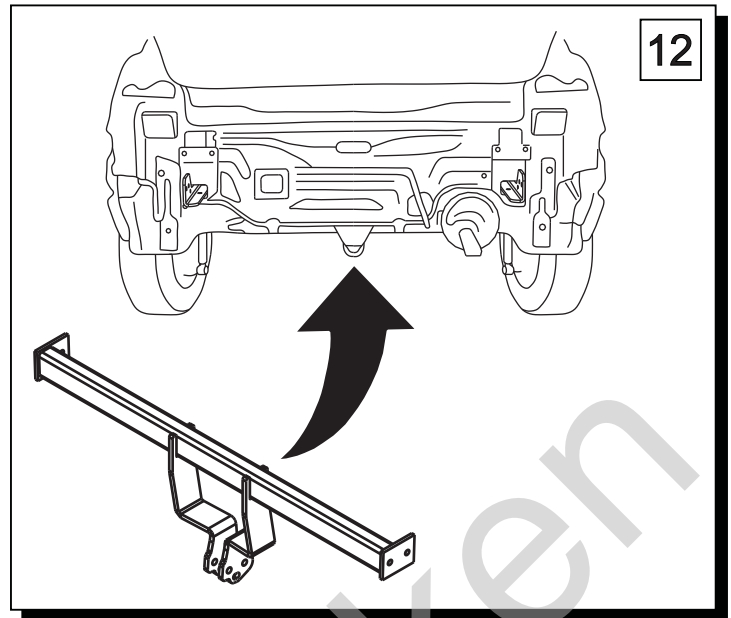
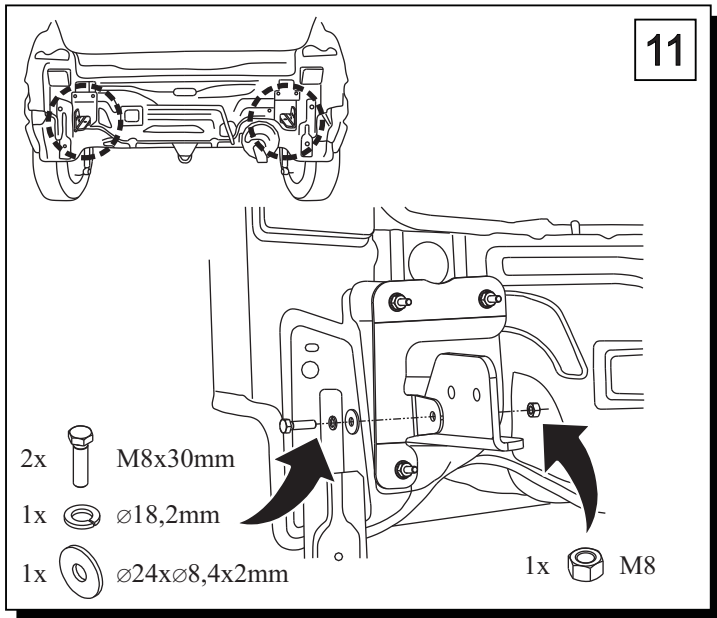
**1000 km**

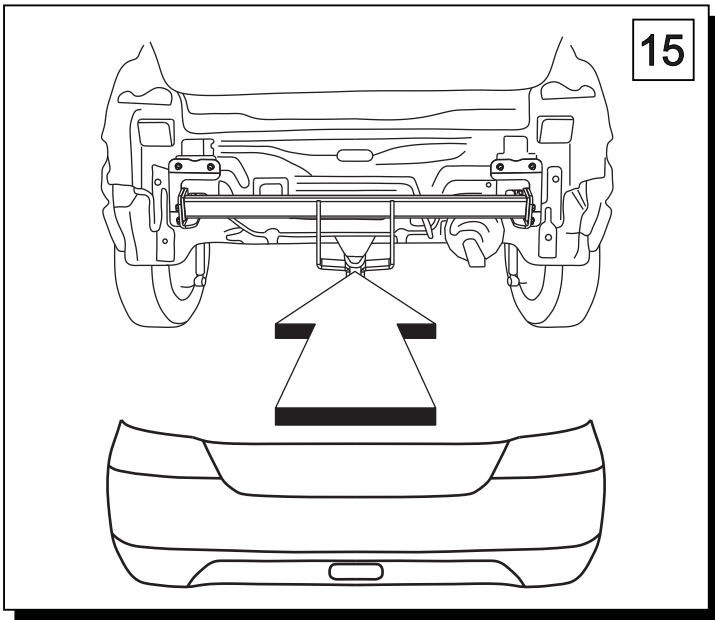


1		x1		9	M12x75	x1
				10	M12x70	x1
				11	M10x35	x8
				12	M8x30	x2
				13	Ø 13	x2
2		x1		14	Ø 30xØ10.5x2.5 10 (DIN 9021)	x4
	Art.nr-KL1W29			15	Ø 10.5	x6
3		x1		16	Ø 24xØ8.5x2 8 (DIN 9021)	x2
	Art.nr-BL1W29			17	Ø 12.2	x2
4		x1		18	Ø 10.2	x8
5		x1		19	Ø 8.2	x2
6		x1		20	M12	x2
				21	M10	x4
7		x1		22	M8	x2
8		x1				

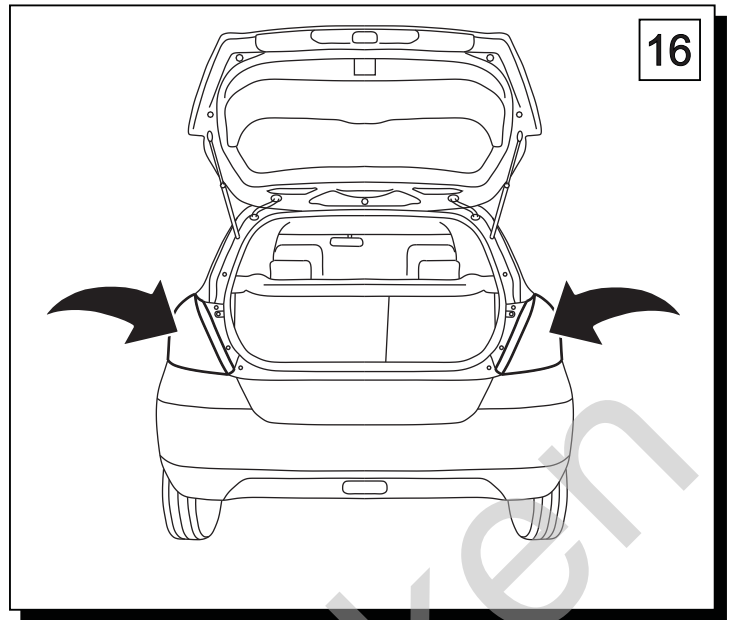




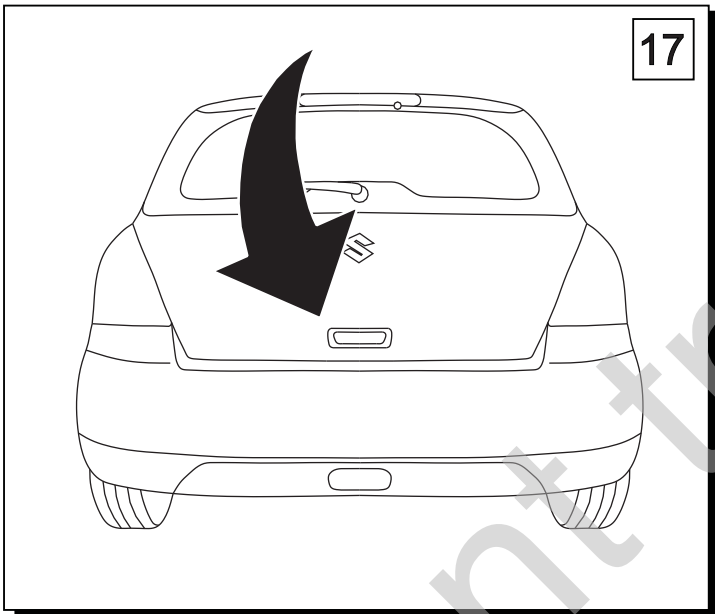




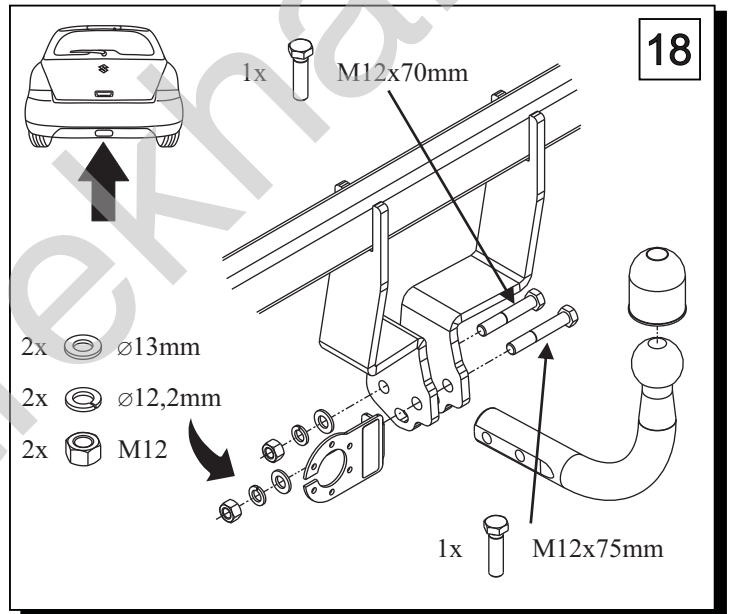
15



16



17



18

