

**AUTO-HAK** Sp. z o.o.

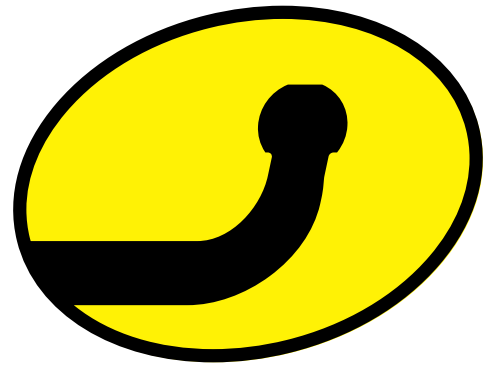
ul. Słoneczna 16K 76-200 SŁUPSK

POLAND

tel/fax +48 59 8 414 414; +48 59 8 414 413

e-mail: [office@autohak.com.pl](mailto:office@autohak.com.pl)

[www.autohak.com.pl](http://www.autohak.com.pl)



**AUTO-HAK**

## NISSAN X- TRAIL IV (T33)

Nr kat.

V83



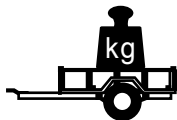
09.2022 →



E20\*55R02\*6832



11,50 kN



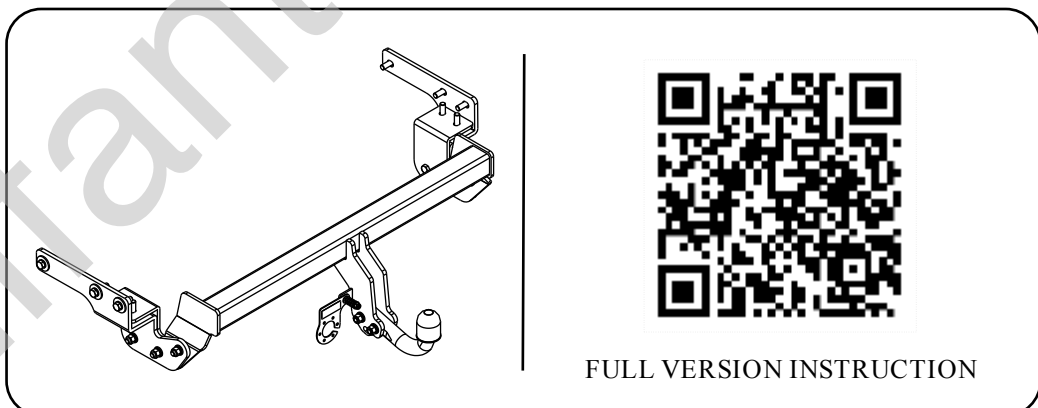
R=2000 kg



S=120 kg



2h



FULL VERSION INSTRUCTION



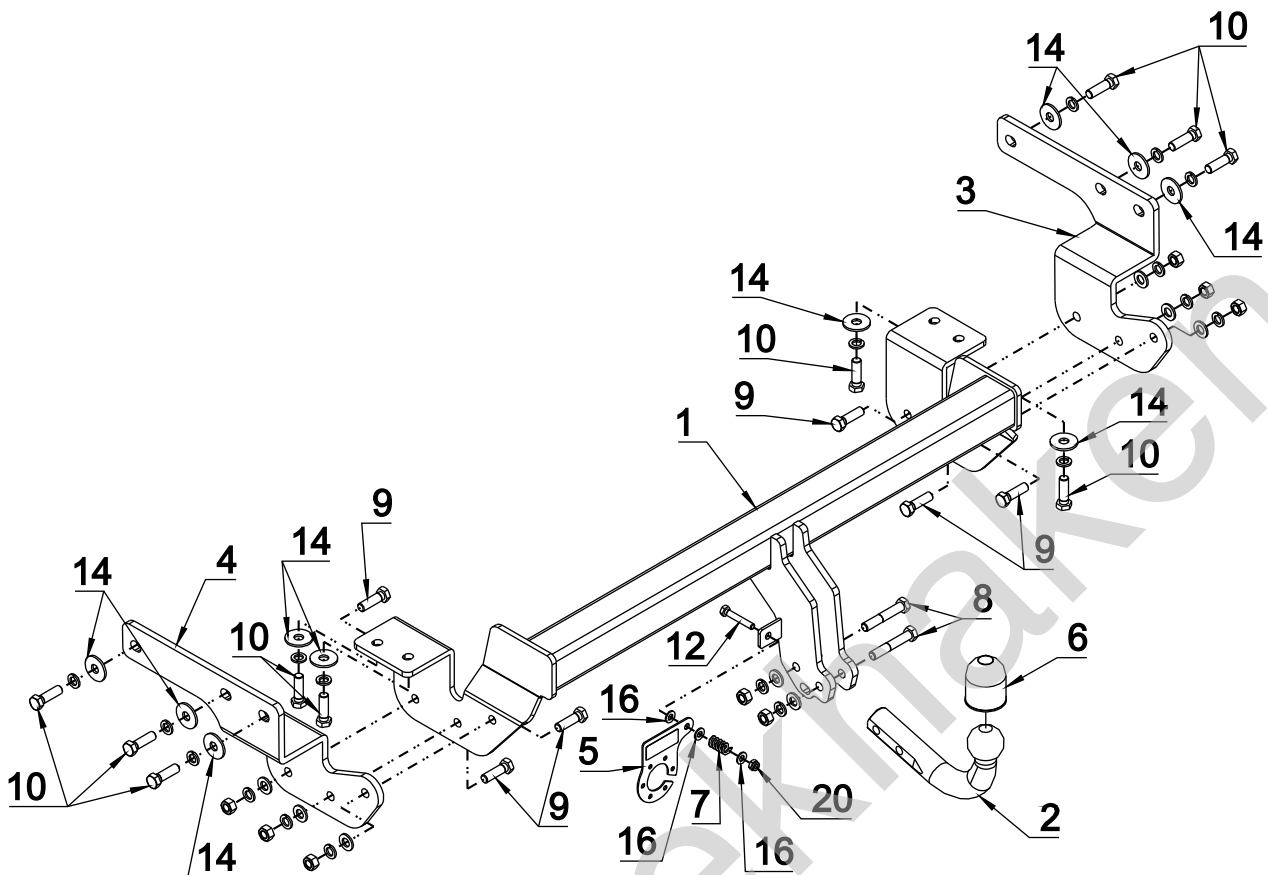
śruba	Nm	M6	M8	M10	M12	M14	M16
klasa 8.8		9,9	24	48	83	132	200
klasa 10.9		14	34	67	117	185	285

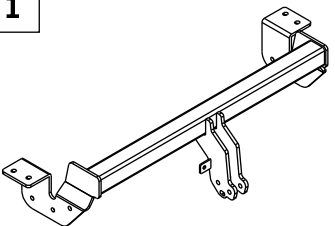




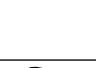
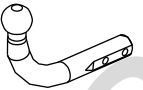

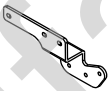

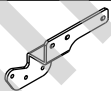




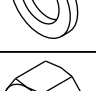

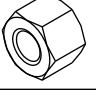





0 km

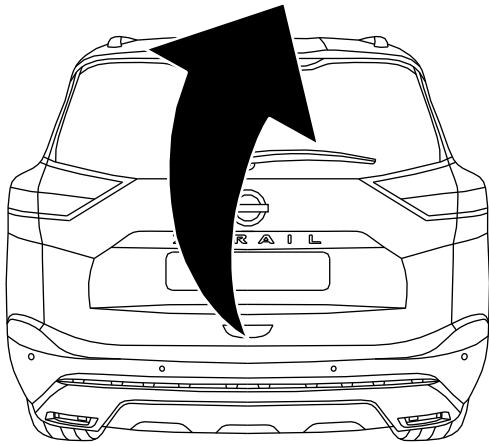


1000 km

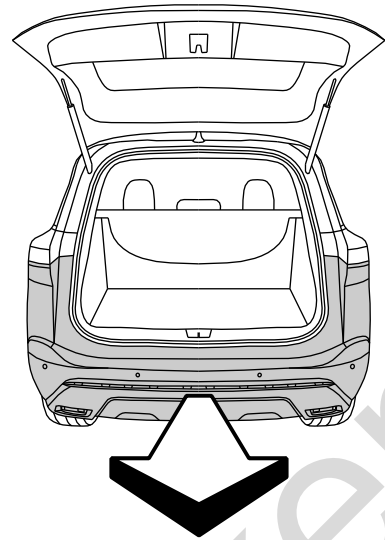


1		x 1		8 M12x75	x 2
				9 M12x40	x 6
				10 M12x1.25x40	x 10
				11 M10x1.25x25	x 2
				12 M8x50	x 1
2		x 1 Art.nr-KL1V83		13 $\phi$ 13	x 8
3		x 1		14 $\phi$ 37x $\phi$ 13x3 13 (DIN 9021)	x 10
4		x 1		15 $\phi$ 30x $\phi$ 10.5x2.5 10 (DIN 9021)	x 2
				16 $\phi$ 8.4	x 3
5		x 1		17 $\phi$ 12.2	x 18
				18 $\phi$ 10.2	x 2
6		x 1 Art.nr-BL1V83		19 M12	x 8
7		x 1		20 M 8 (DIN985)	x 1
				21	x 3

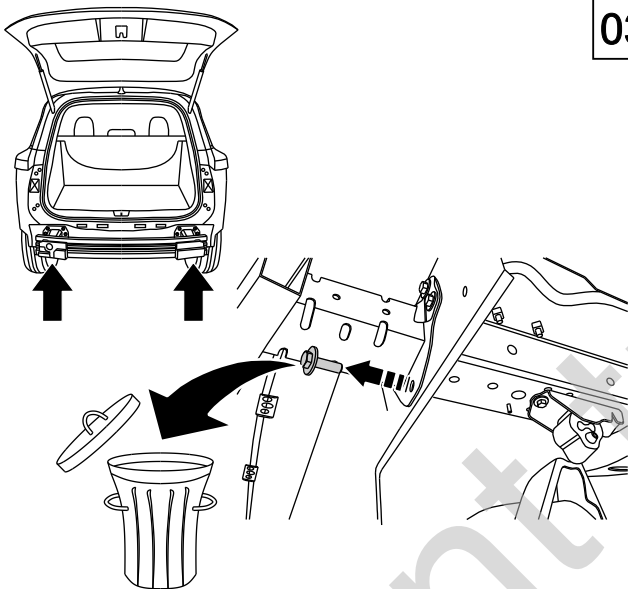
01



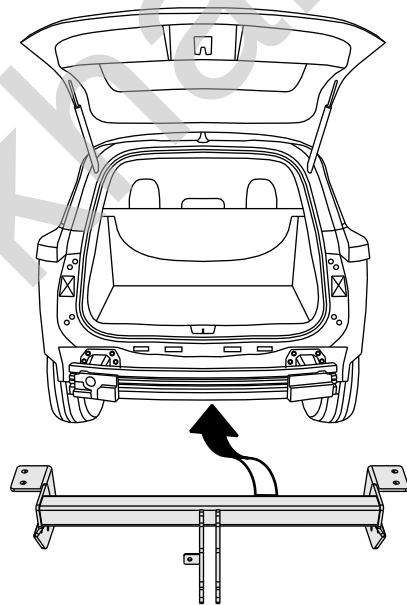
02



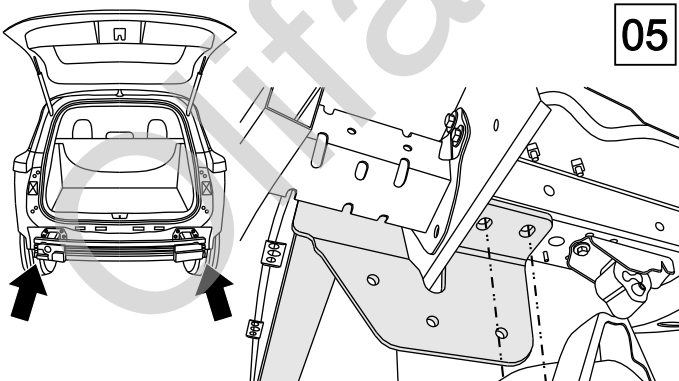
03






04

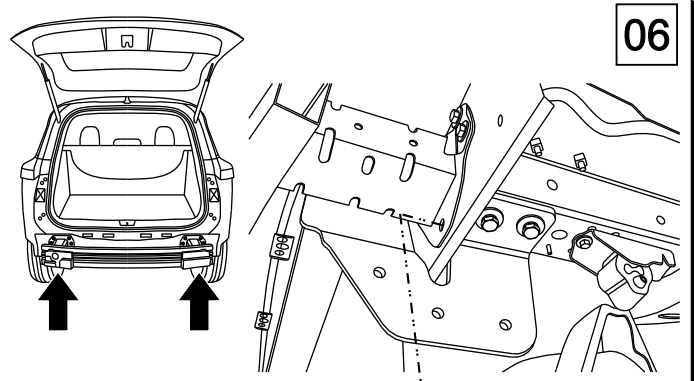





05



- 2x  M12x1.25x40mm
- 2x   $\varnothing 12,2\text{mm}$
- 2x   $\varnothing 37 \times 13 \times 3\text{mm}$

06



- 1x  M10x1.25x20mm
- 1x   $\varnothing 10,2\text{mm}$
- 1x   $\varnothing 30 \times 10,5 \times 2,5\text{mm}$

