

AUTO-HAK Sp. z o.o.

ul. Słoneczna 16K 76-200 SŁUPSK
POLAND

tel/fax +48 59 8 414 414; +48 59 8 414 413

e-mail: office@autohak.com.pl

www.autohak.com.pl




AUTO-HAK

KIA NIRO (+AdBlue, Hybrid)


Cat. no:


T82

 06.2019 →

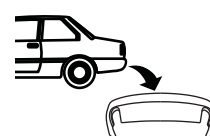
 E20-55R-01 5856

D 8,25 kN

 **R=1300 kg**

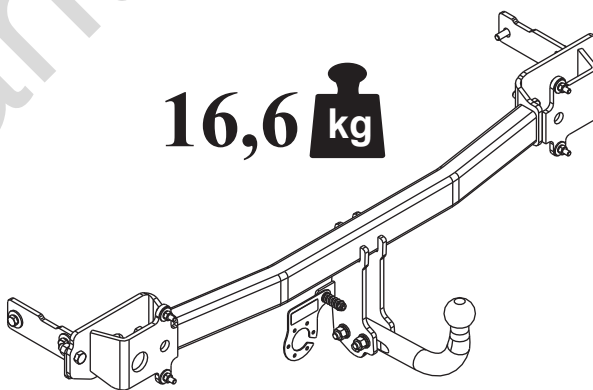
 **S=100 kg**

 **2h**



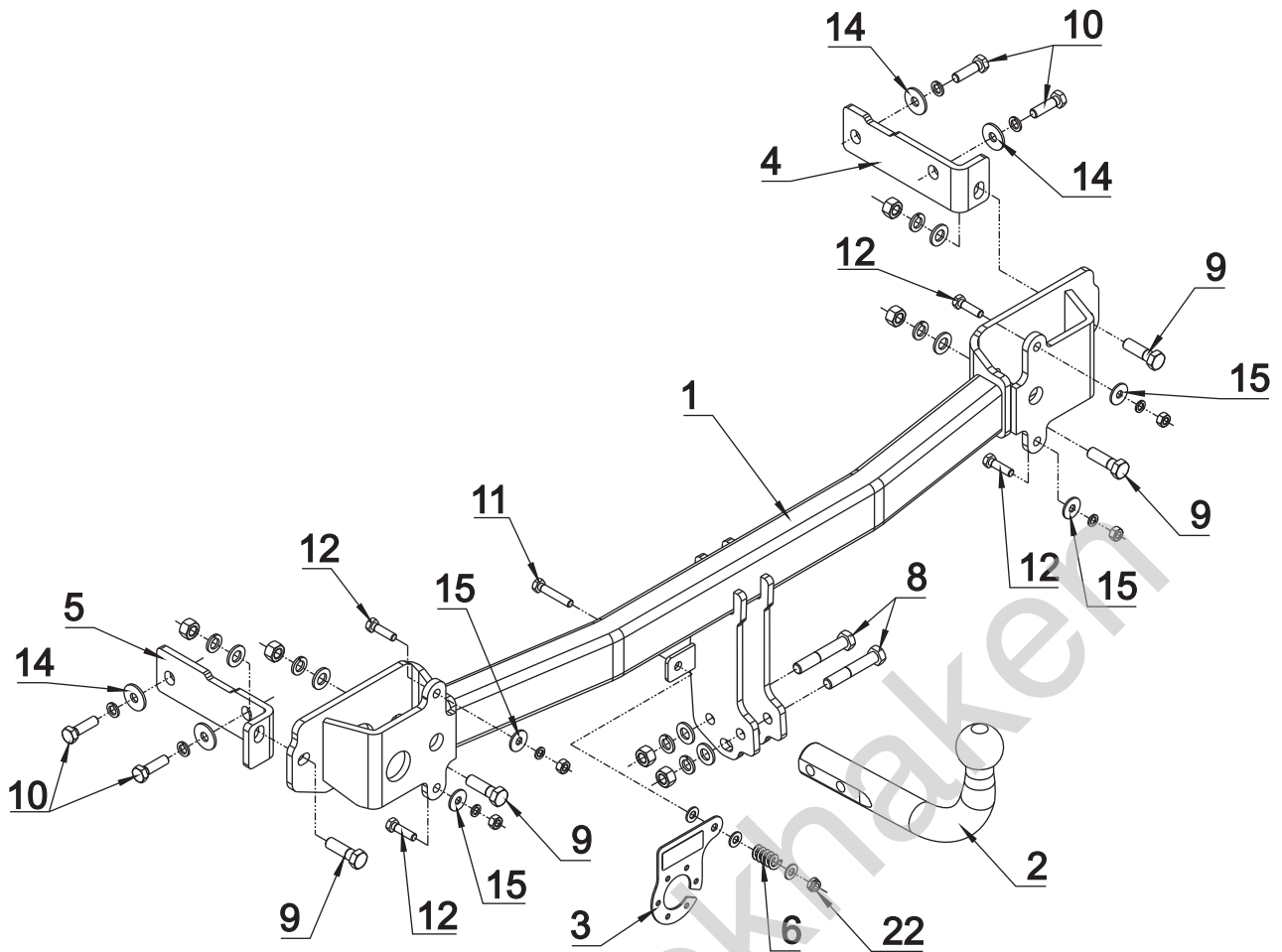


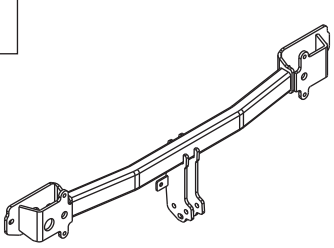

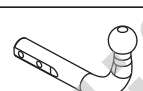


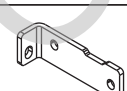
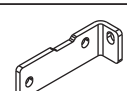

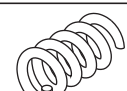
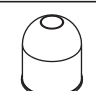
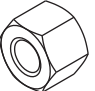

16,6 kg



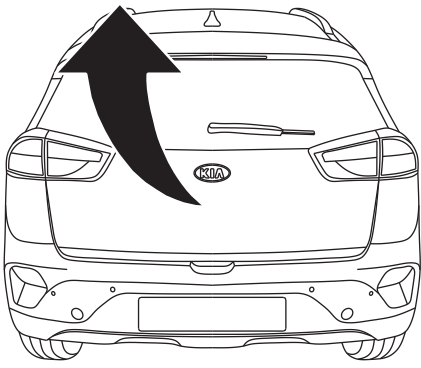
śruba Nm	M6	M8	M10	M12	M14	M16
klasa 8.8	9,9	24	48	83	132	200
klasa 10.9	14	34	67	117	185	285

 0 km →  1000 km

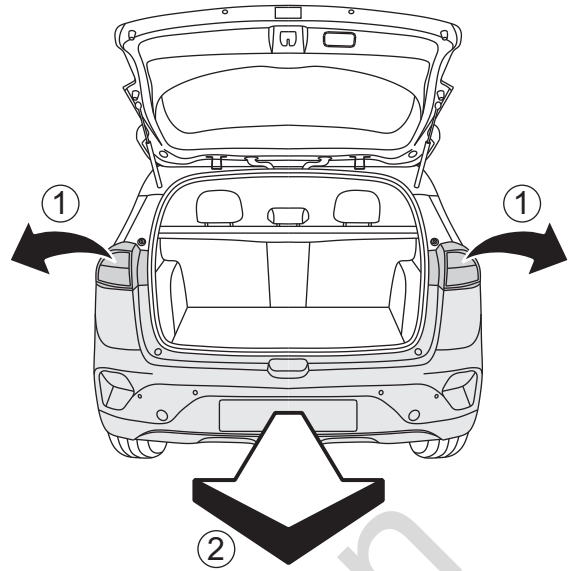


1 	x 1		8 M12x70	x 2
			9 M12x40	x 4
			10 M10x35	x 4
			11 M8x45	x 1
			12 M8x30	x 4
			13 \varnothing 13	x 6
2 	x 1 Art.nr-KL1T82		14 \varnothing 30x \varnothing 10.5x2.5	x 4
			15 \varnothing 24x \varnothing 8.5x2	x 4
3 	x 1 Art.nr-BL12T82		16 \varnothing 8.4	x 3
			17 \varnothing 12.2	x 6
4 	x 1		18 \varnothing 10.2	x 4
			19 \varnothing 8.2	x 4
5 	x 1		20 M12	x 6
			21 M8	x 4
6 	x 1		22 M8 (DIN985)	x 1
7 	x 1			
				

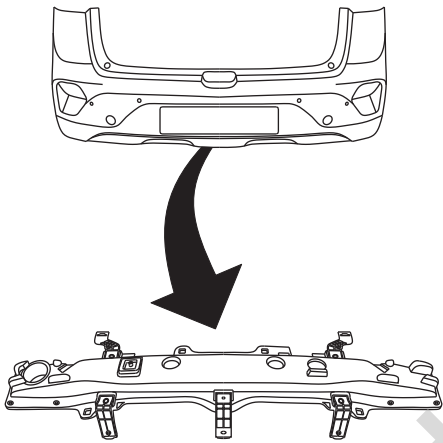
01



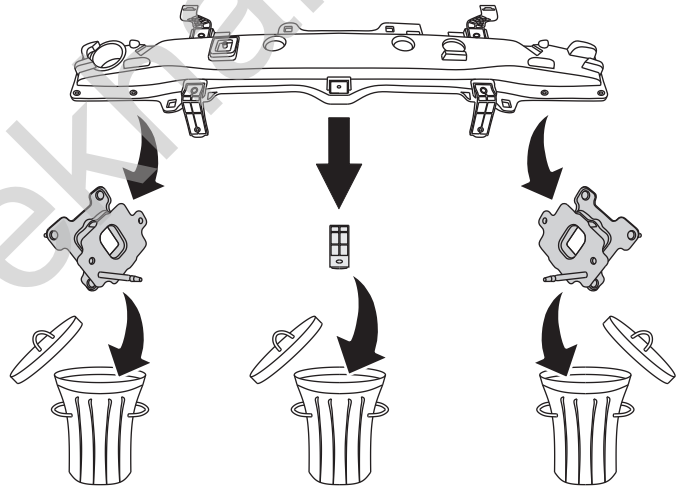
02



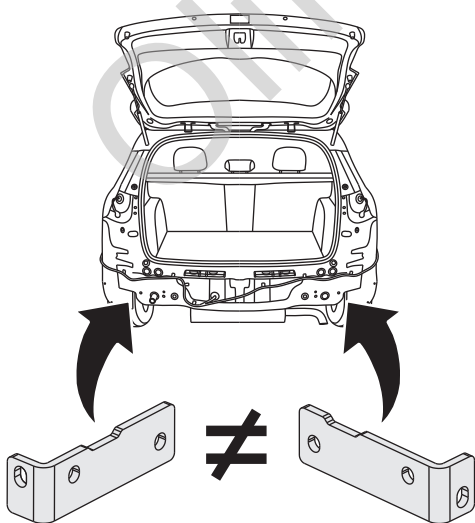
03



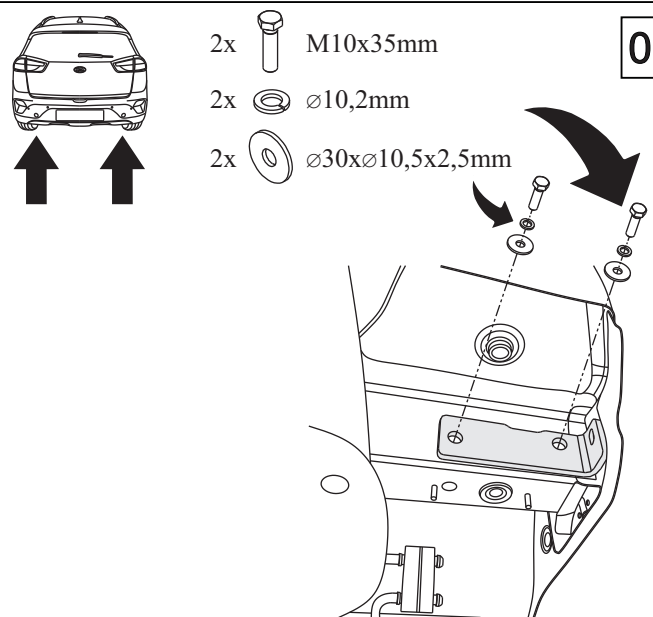
04

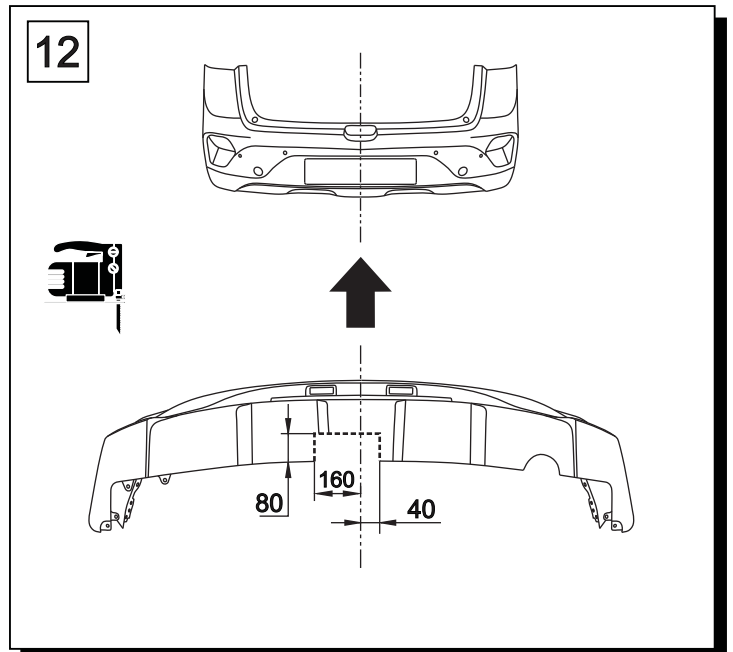
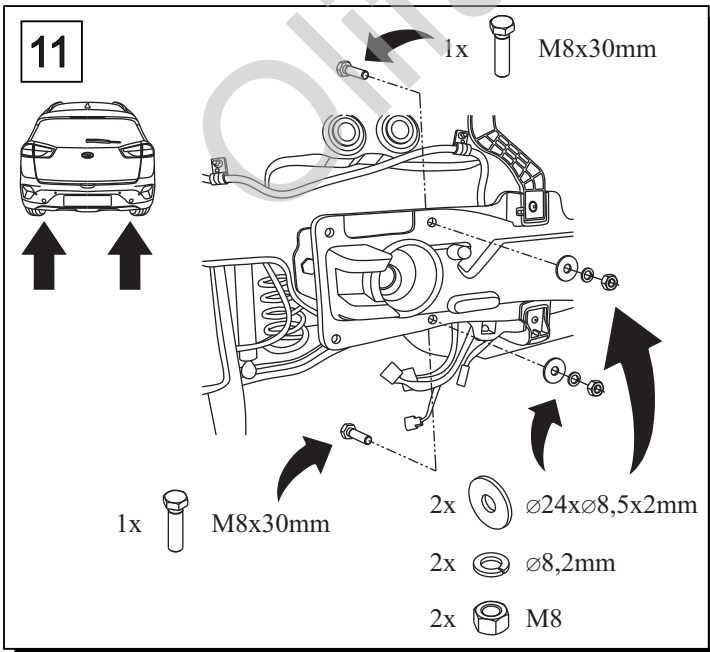
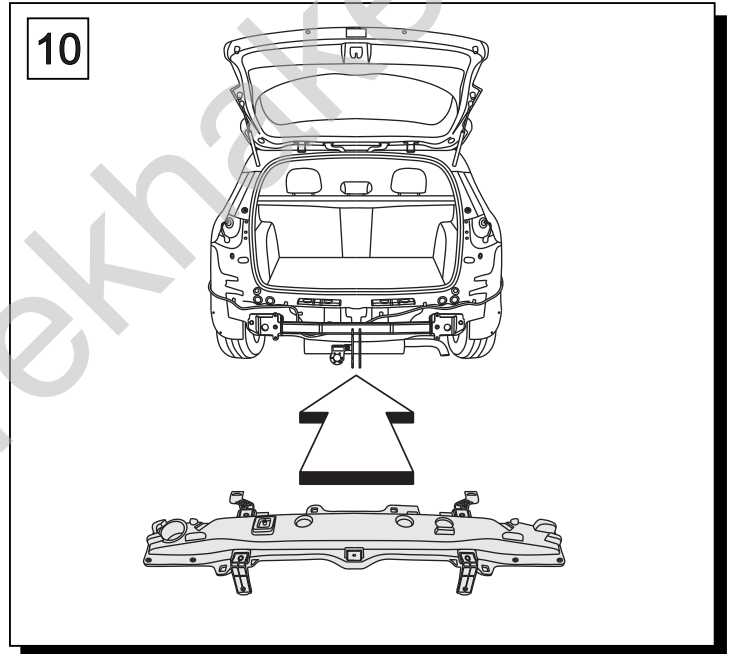
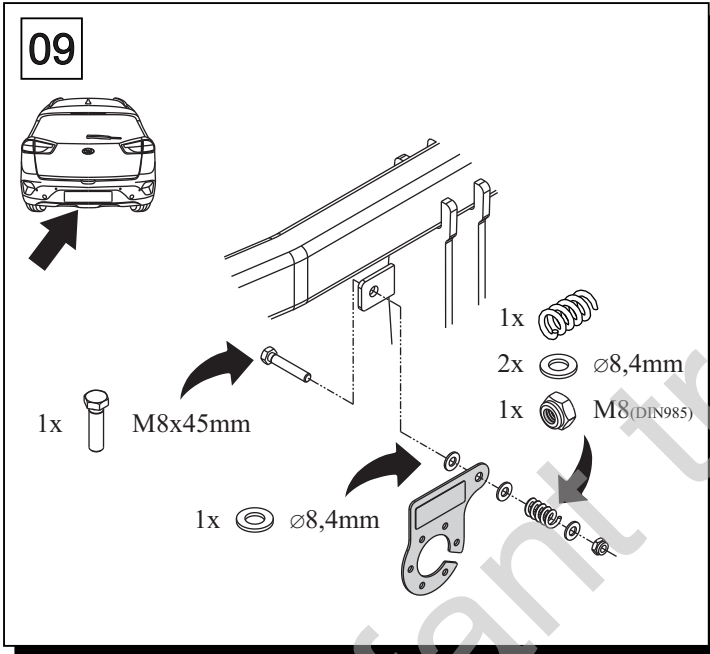
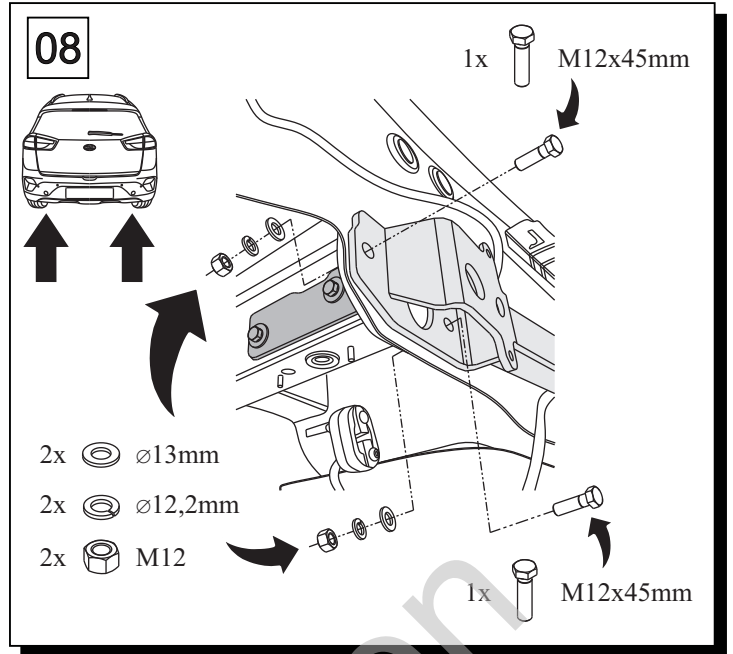
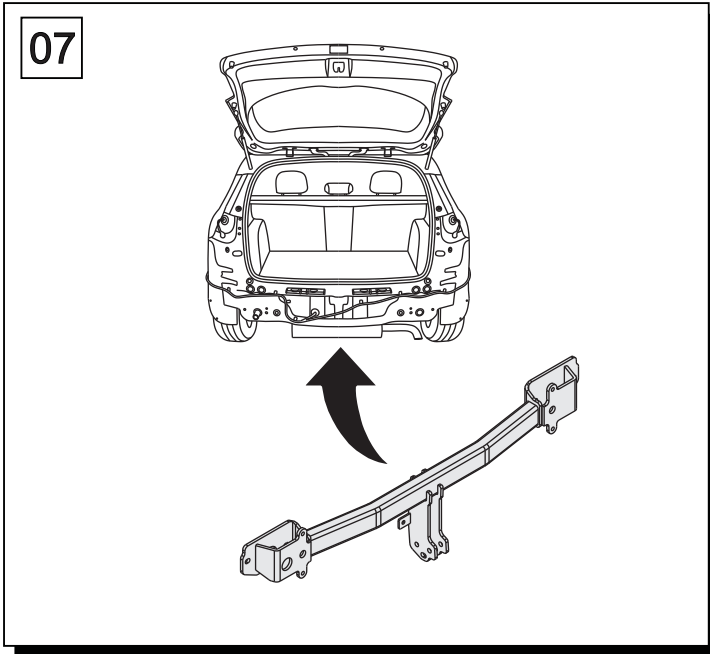


05

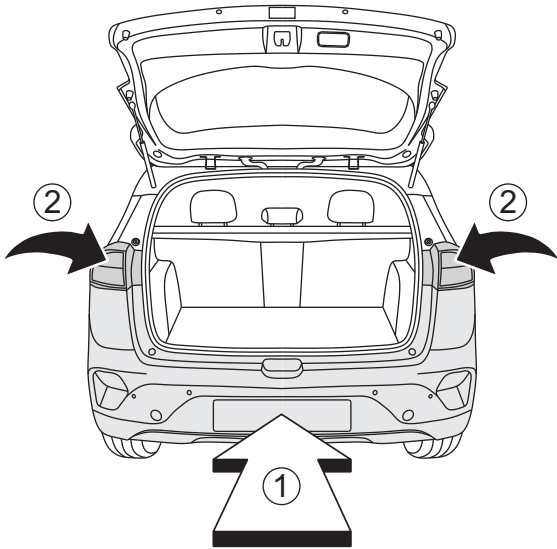


06

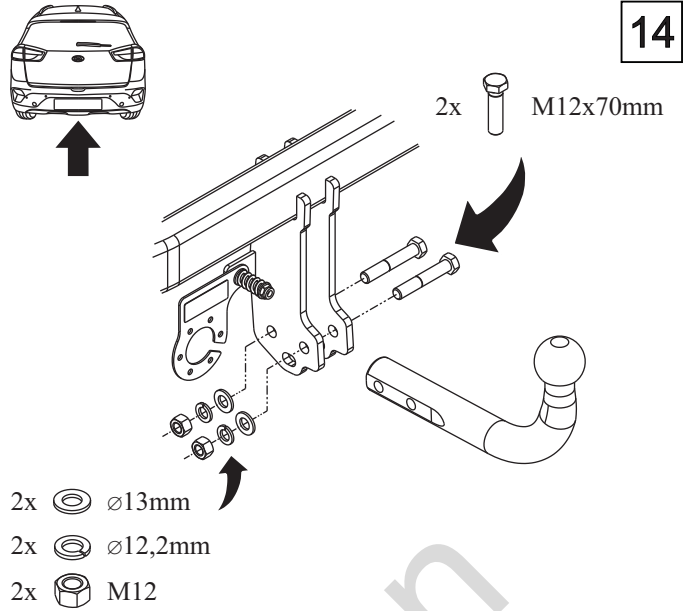




13



14



Olifant trekhaken