

AUTO-HAK Sp. z o.o.

ul. Słoneczna 16K 76-200 SŁUPSK
POLAND

tel/fax +48 59 8 414 414; +48 59 8 414 413


e-mail: office@autohak.com.pl

www.autohak.com.pl




AUTO-HAK

CITROEN DS3 (SA) 3D, ~~Racing Model~~


 02.2010 → 06.2015

DS AUTOMOBILES DS3 (SA) 3D, ~~Racing Model~~


 07.2015 → 2019

Nr kat.

P41V

 **E20** E20-55R-01 4042

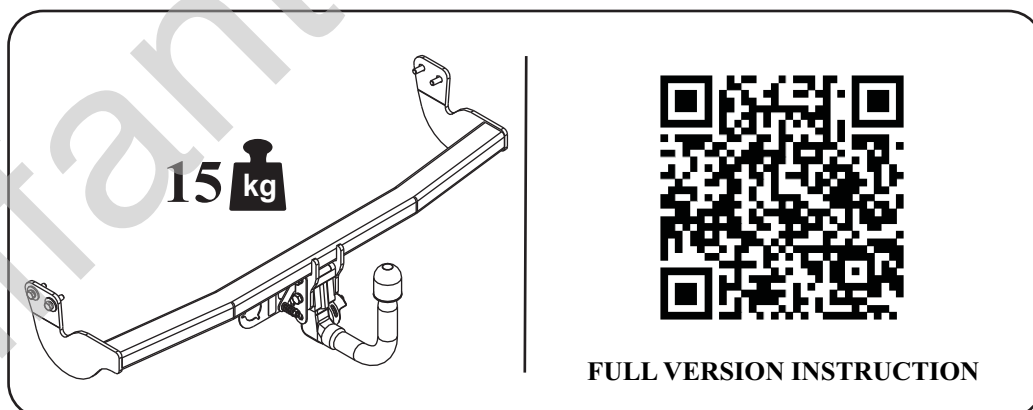
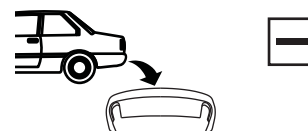
D 7,0 kN

 **R=1225 kg**

 **S=80 kg**



1,5h

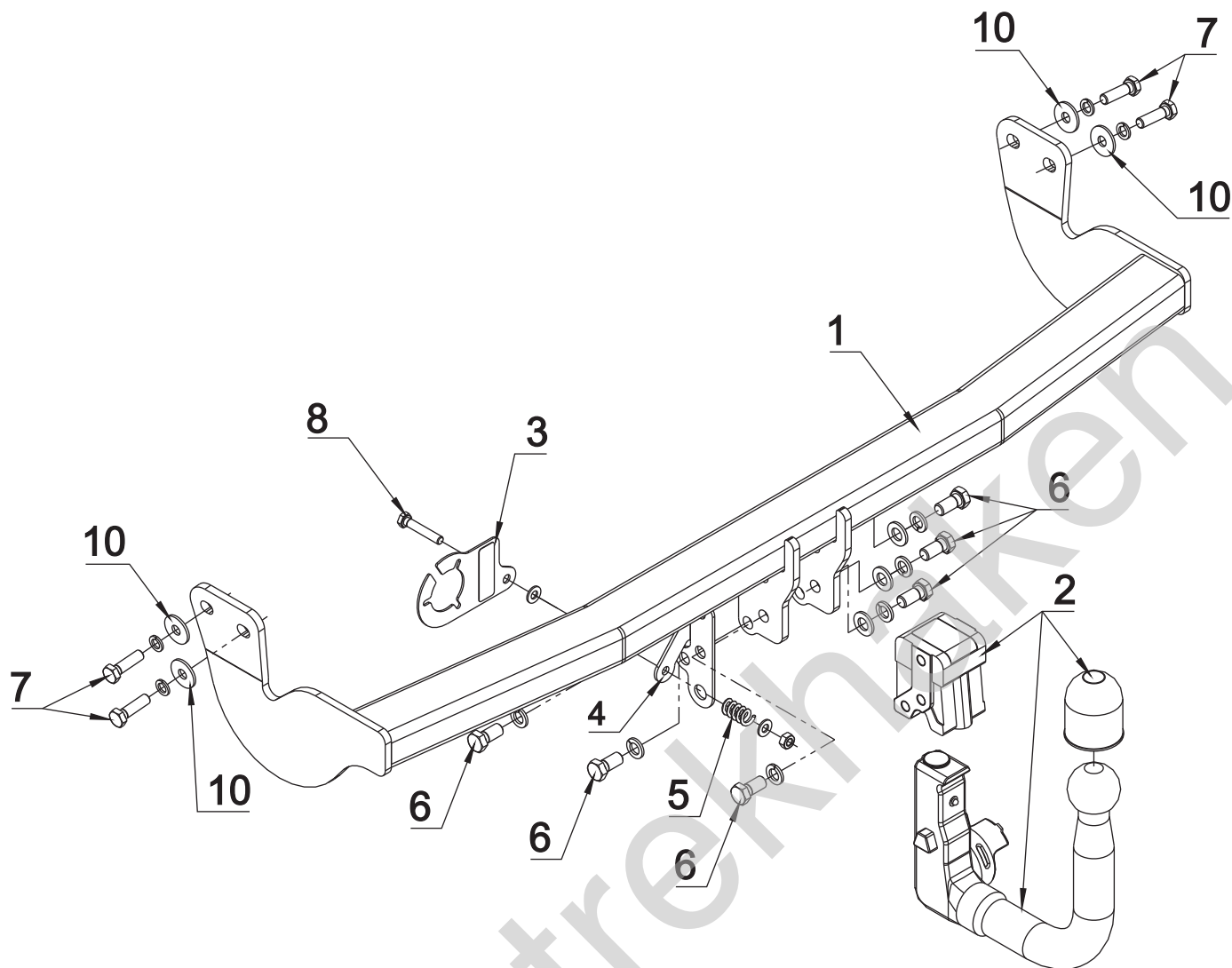


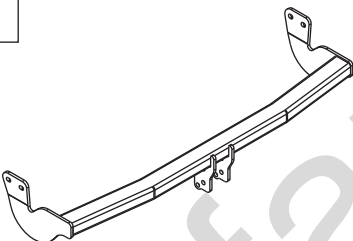


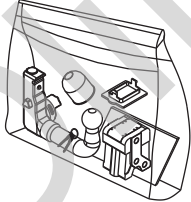


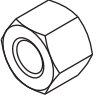

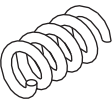
FULL VERSION INSTRUCTION

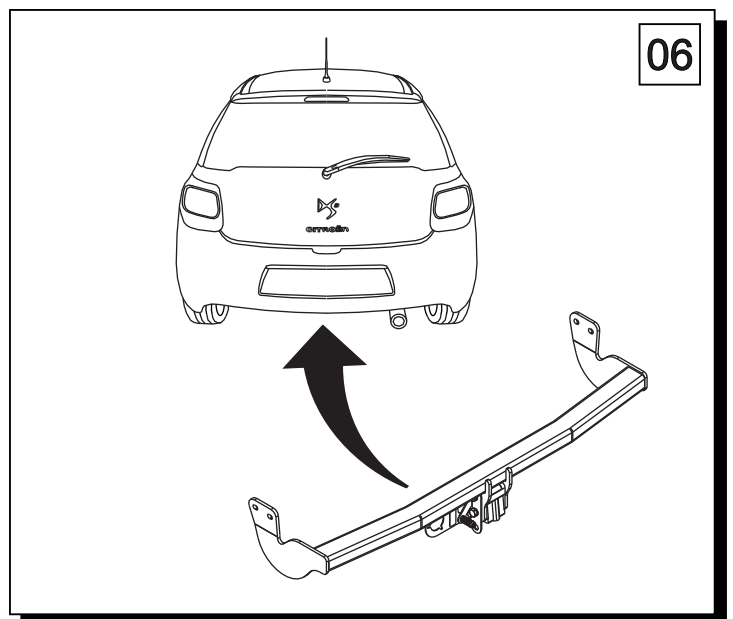
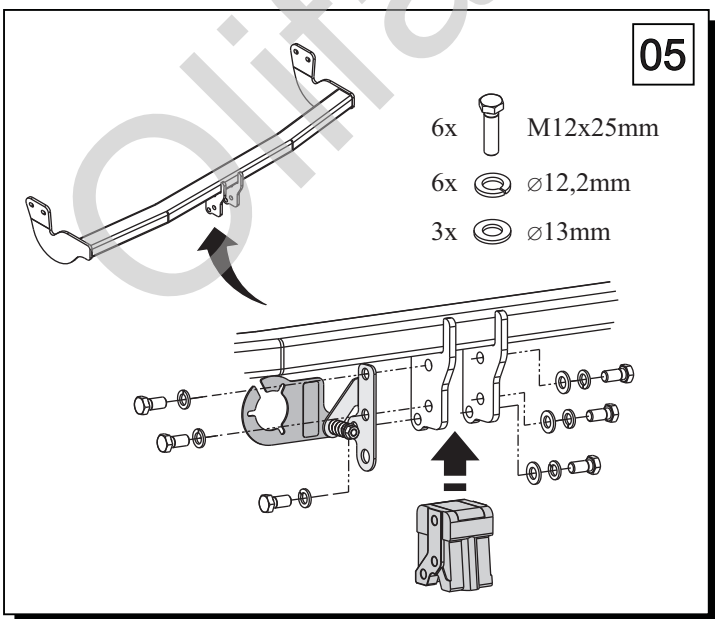
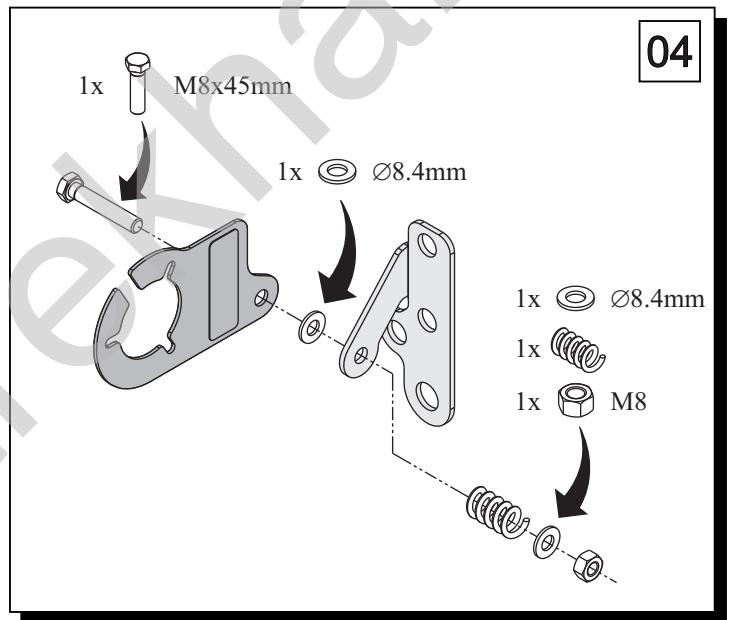
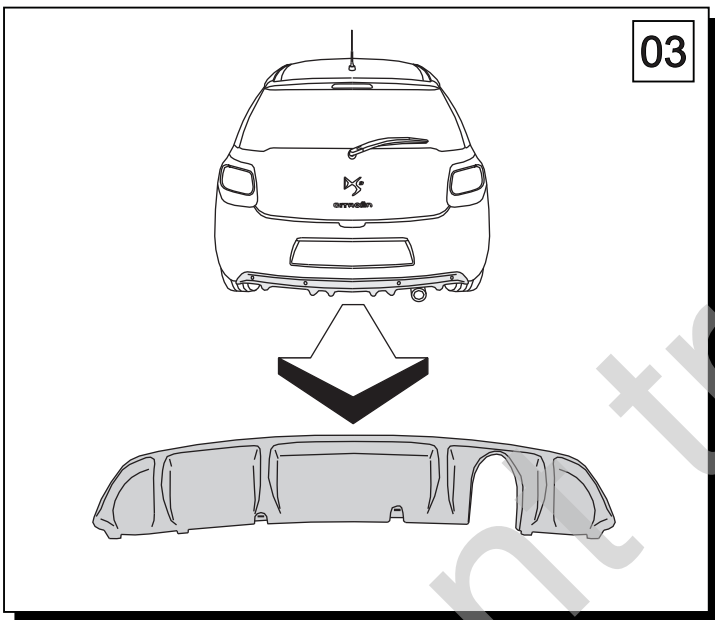
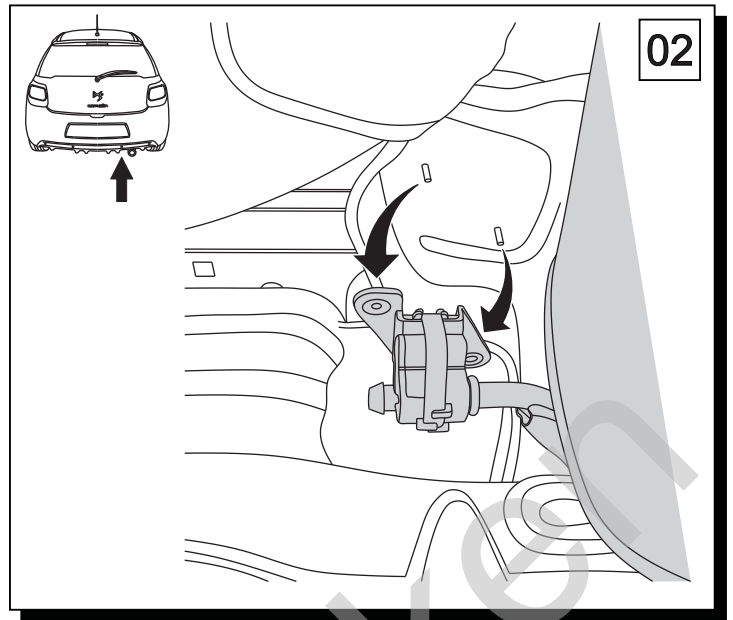
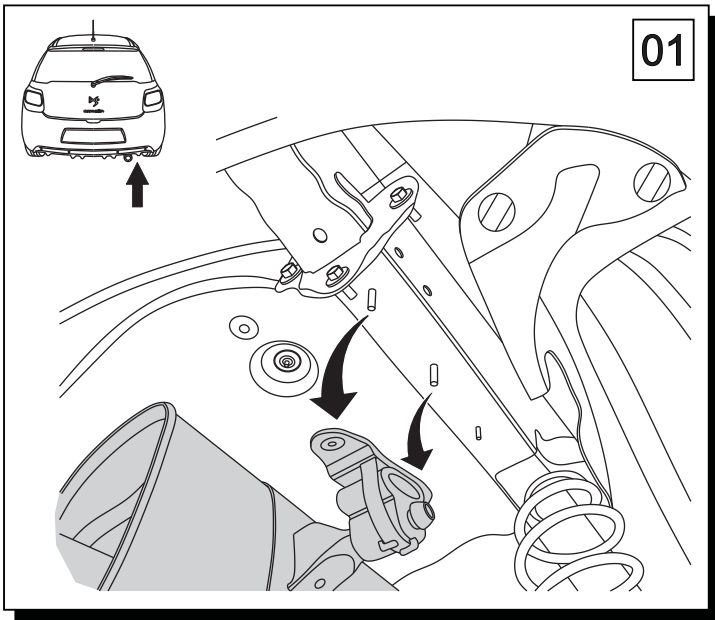


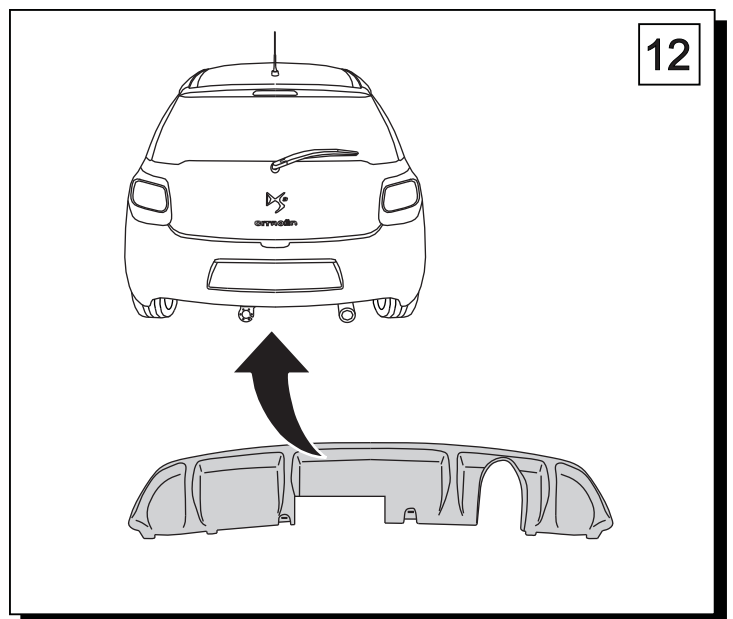
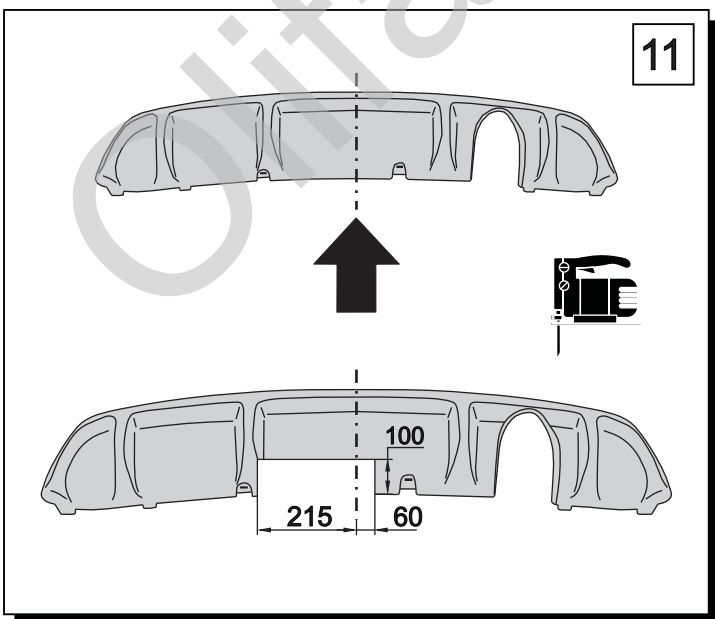
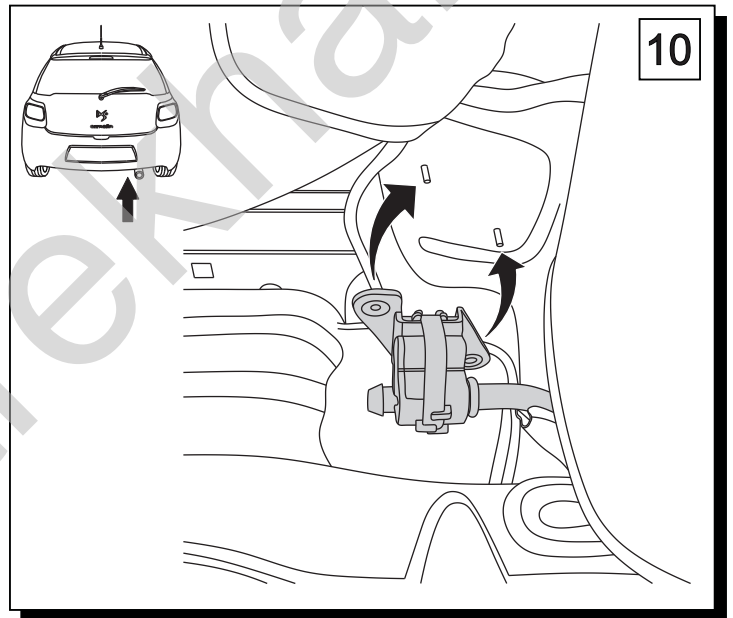
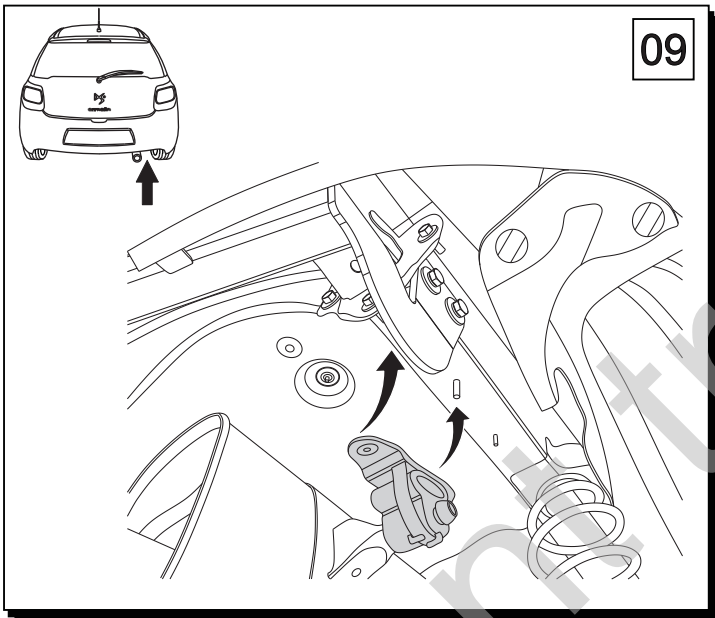
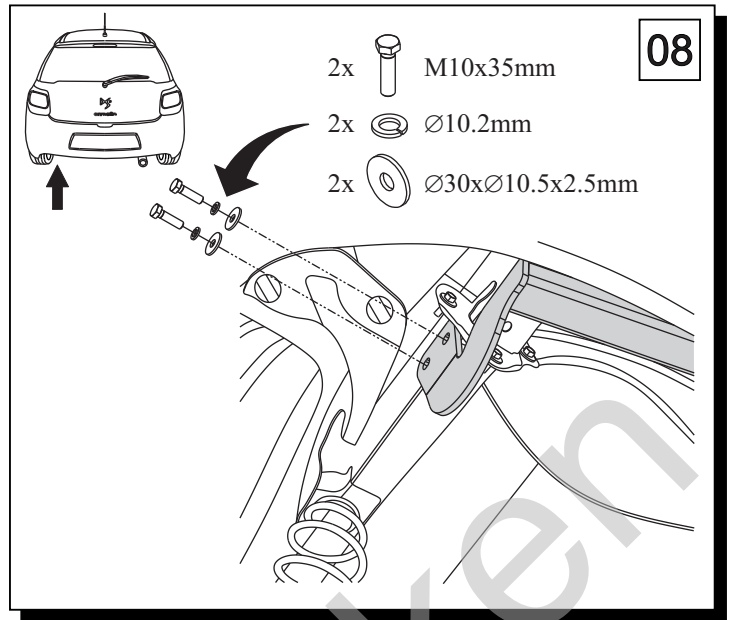
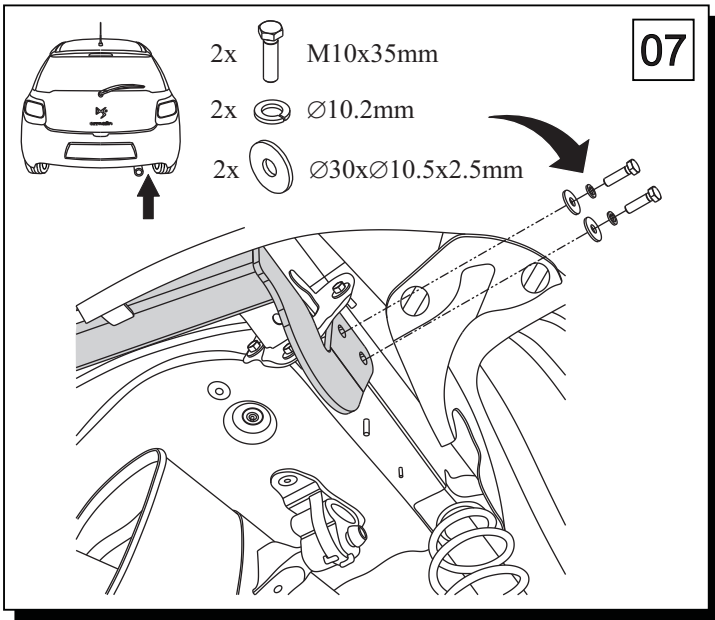
śruba	Nm	M6	M8	M10	M12	M14	M16
klasa 8.8		9,9	24	48	83	132	200
klasa 10.9		14	34	67	117	185	285

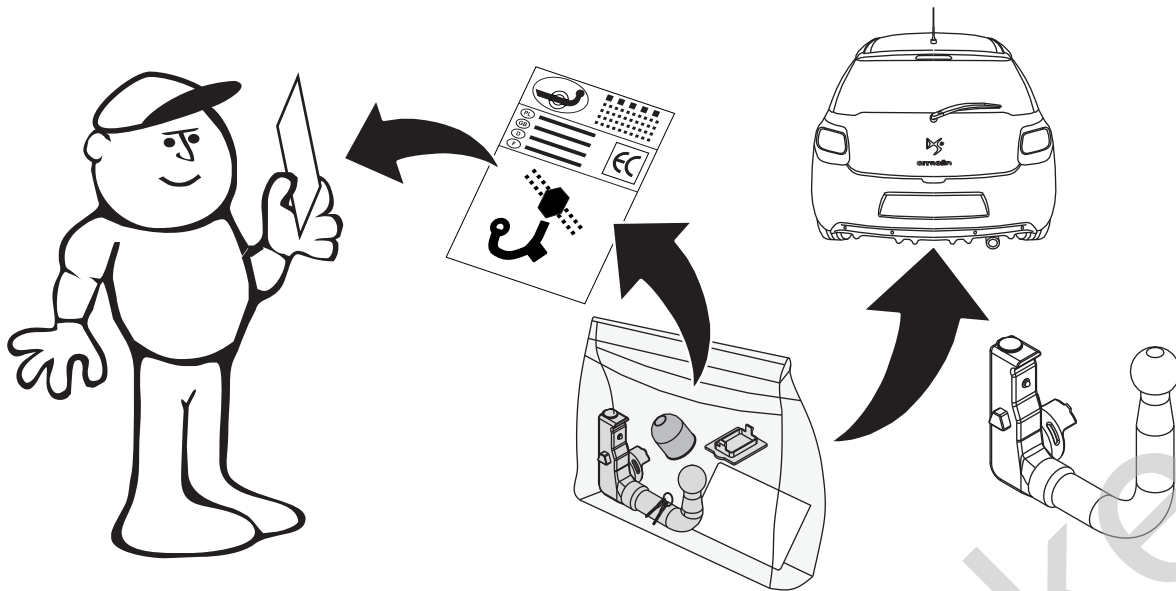
 0 km →  1000 km



1		x1		6 M12x25	x6
				7 M10x35	x4
				8 M8x45	x1
				9 \varnothing 13	x3
				10 \varnothing 30x \varnothing 10.5x2.5	x4
				10 (DIN 9021)	
				11 \varnothing 8.4	x2
2		x1		12 \varnothing 12.2	x6
		Art.nr-KL1P41V		13 \varnothing 10.2	x4
3		x1		14 M8	x1
		Art.nr-BL25P41V			
4		x1			
5		x1			







Olifant trekhaken