

AUTO-HAK Sp. z o.o.

ul. Słoneczna 16K 76-200 SŁUPSK
POLAND

tel/fax +48 59 8 414 414; +48 59 8 414 413

e-mail: office@autohak.com.pl

www.autohak.com.pl



AUTO-HAK

CITROEN C3 II 5D

Nr kat.

P34



01.2010 → 06.2016

e20

e20*94/20*1252*00

D

7,0 kN



R=1250 kg



S=54 kg



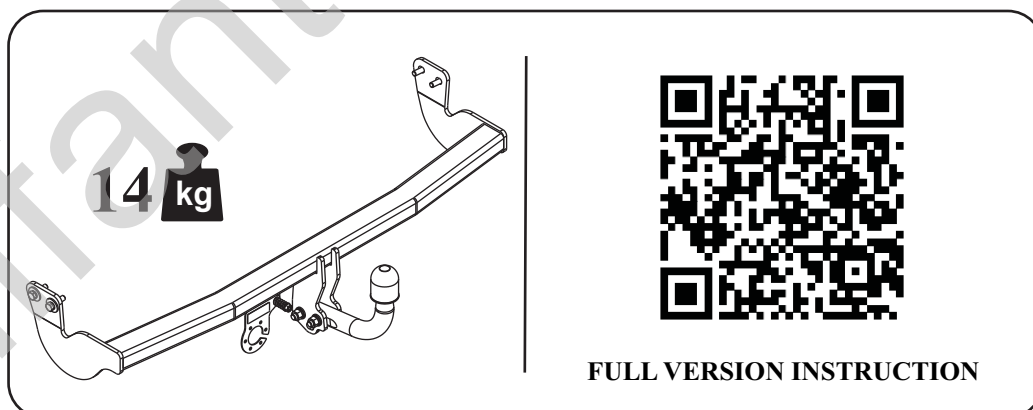
1,5h



-



-

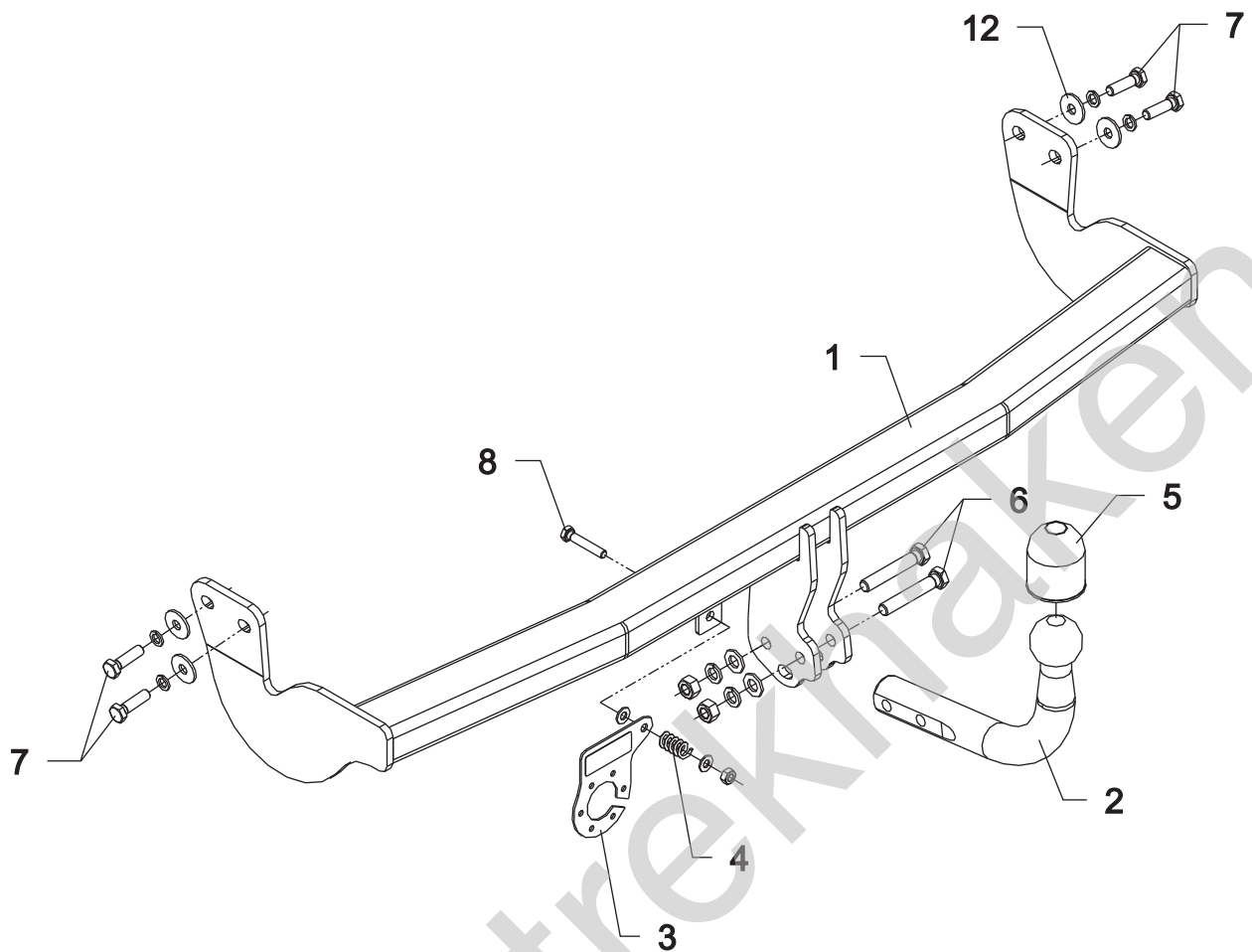


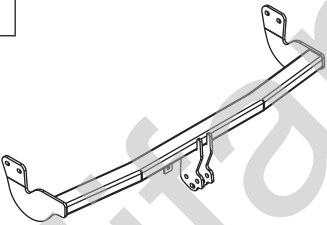
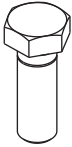
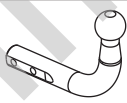

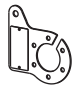



FULL VERSION INSTRUCTION



śruba	Nm	M6	M8	M10	M12	M14	M16
klasa 8.8		9,9	24	48	83	132	200
klasa 10.9		14	34	67	117	185	285

0 km → 1000 km



1 	x 1		6 M12x70	x 2
			7 M10x35	x 4
			8 M8x45	x 1
			9 M12	x 2
			10 M8	x 1
2 	x 1 Art.nr-KL1P34		11 ϕ 13	x 2
			12 ϕ 30x ϕ 10.5x2.5 10 – DIN 9021	x 4
3 	x 1 Art.nr-BL1P34		13 ϕ 8.4	x 2
4 	x 1		14 ϕ 12.2	x 2
			15 ϕ 10.2	x 4
5 	x 1			

