

# AUTO-HAK Sp. z o.o.

ul. Słoneczna 16K 76-200 SŁUPSK  
POLAND

tel/fax +48 59 8 414 414; +48 59 8 414 413

e-mail: [office@autohak.com.pl](mailto:office@autohak.com.pl)

[www.autohak.com.pl](http://www.autohak.com.pl)



# AUTO-HAK

**MAZDA 3  
5D, (J36A)**

**Nr kat.**

**M63**



**10.2013 → 12.2018**



**E20-55R-01 4105**



**1,5h**

**D**

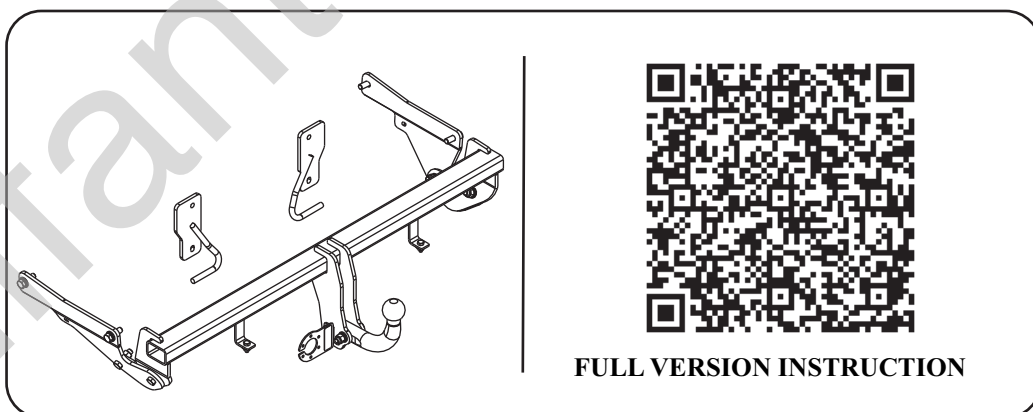
**9,37 kN**



**R=1860 kg**



**S=75 kg**



**FULL VERSION INSTRUCTION**



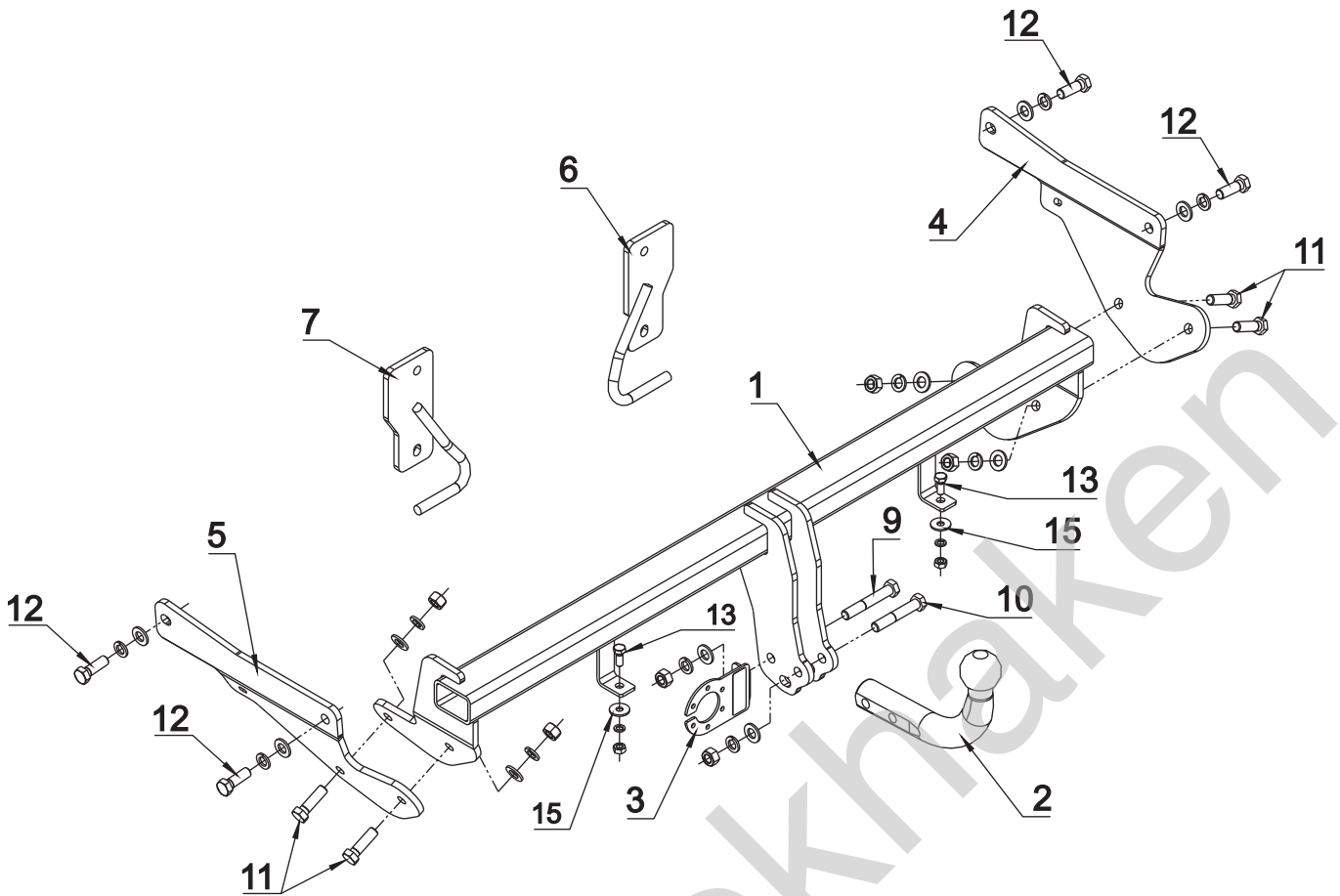
śruba	Nm	M6	M8	M10	M12	M14	M16
klasa 8.8		9,9	24	48	83	132	200
klasa 10.9		14	34	67	117	185	285

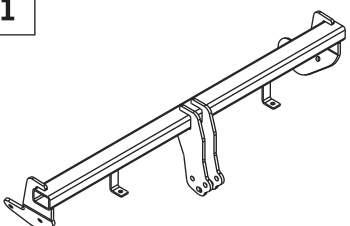

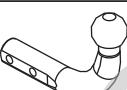

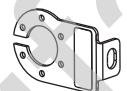



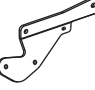





**0 km →**



**1000 km**



<b>1</b> 	<b>x1</b>		<b>9</b> M12x75	<b>x1</b>
			<b>10</b> M12x70	<b>x1</b>
			<b>11</b> M12x40	<b>x4</b>
			<b>12</b> M12x1.25x35	<b>x4</b>
			<b>13</b> M8x20	<b>x2</b>
<b>2</b> 	<b>x1</b>		<b>14</b> $\varnothing$ 13	<b>x10</b>
			<b>15</b> $\varnothing$ 24x $\varnothing$ 8.5x2 8 (DIN 9021)	<b>x2</b>
<b>3</b> 	<b>x1</b>		<b>16</b> $\varnothing$ 12.2	<b>x10</b>
			<b>17</b> $\varnothing$ 8.2	<b>x2</b>
<b>4</b> 	<b>x1</b>		<b>18</b> M12	<b>x6</b>
			<b>19</b> M8	<b>x2</b>
<b>5</b> 	<b>x1</b>			
<b>6</b> 	<b>x1</b>			
<b>7</b> 	<b>x1</b>			
<b>8</b> 	<b>x1</b>			

