

AUTO-HAK Sp. z o.o.

ul. Słoneczna 16K 76-200 SŁUPSK
POLAND

tel/fax +48 59 8 414 414; +48 59 8 414 413

e-mail: office@autohak.com.pl

www.autohak.com.pl



AUTO-HAK

VOLKSWAGEN TIGUAN I



~~ABT-Sportline~~

~~R-Line~~

Nr kat.

K51



09.2007 → 01.2016

e20

e20*94/20*0581*01



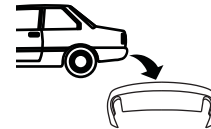
2h

D

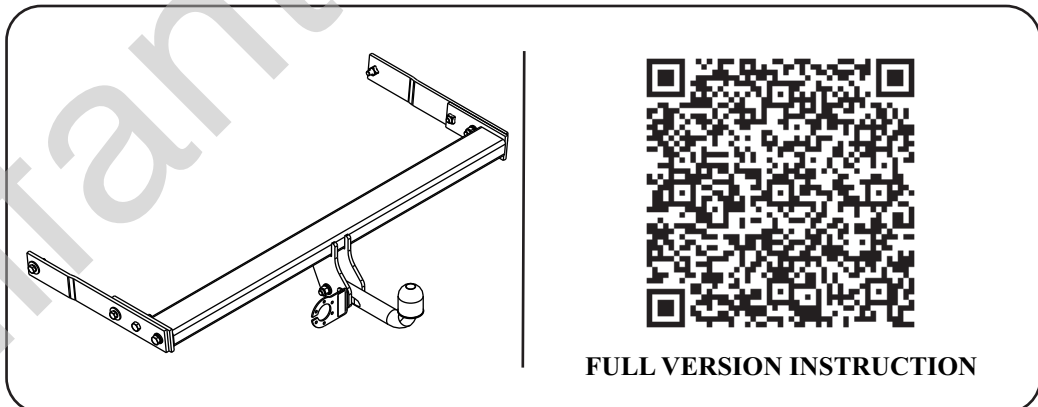
12,0 kN



R=2500 kg



S=140 kg



FULL VERSION INSTRUCTION



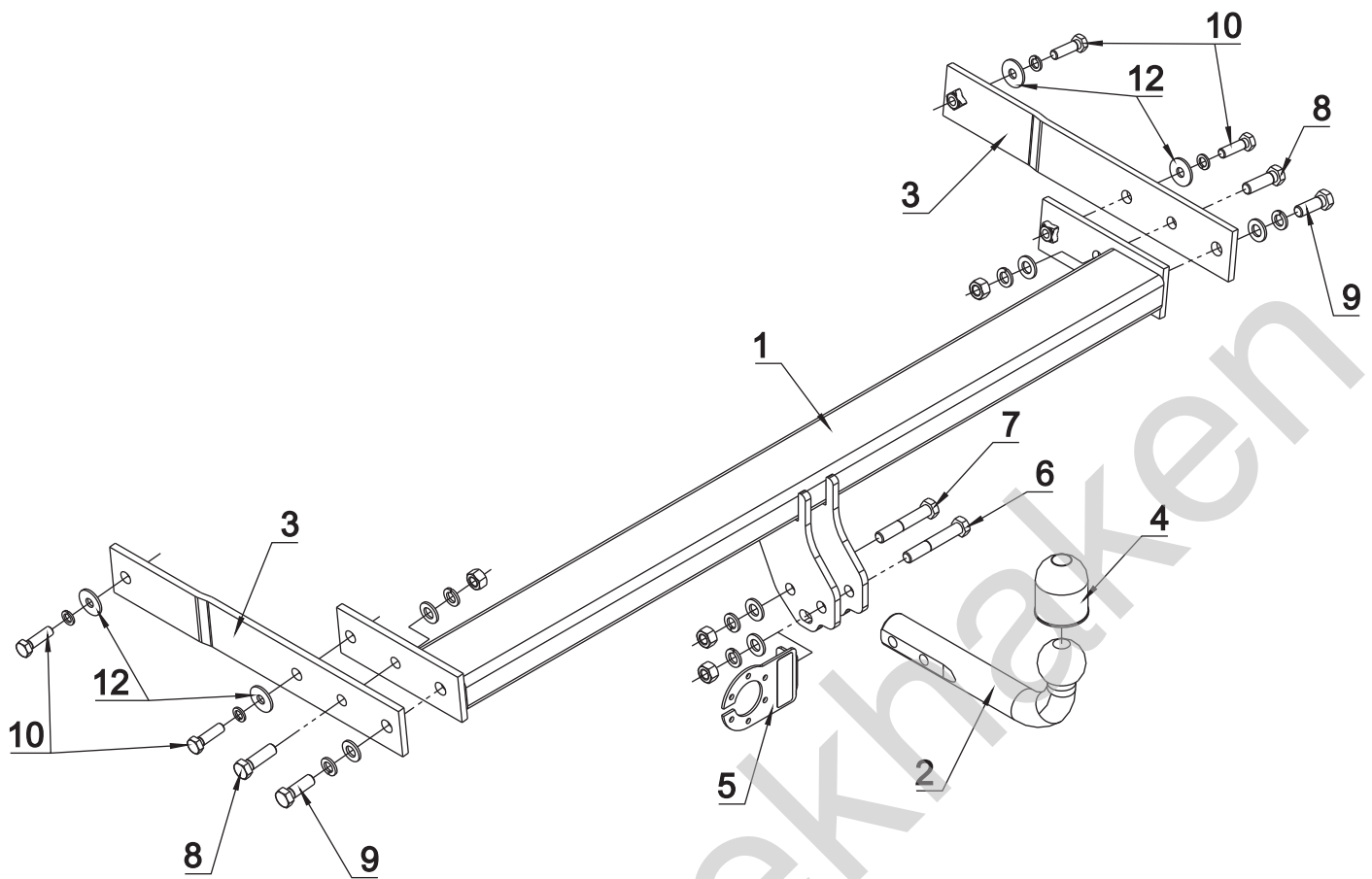
śruba	Nm	M6	M8	M10	M12	M14	M16
klasa 8.8		9,9	24	48	83	132	200
klasa 10.9		14	34	67	117	185	285

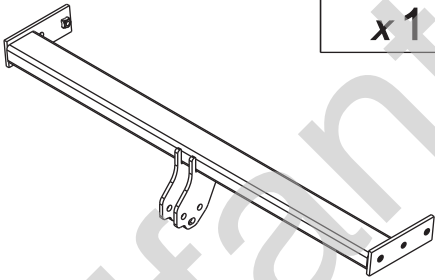
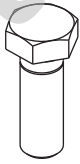


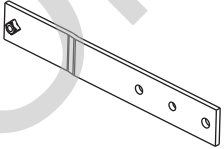

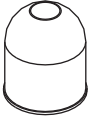
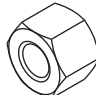
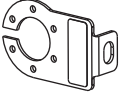


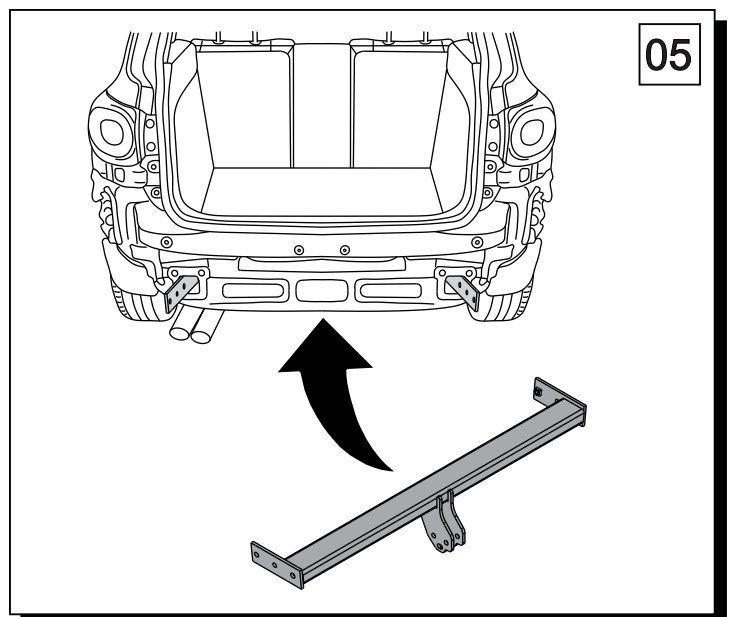
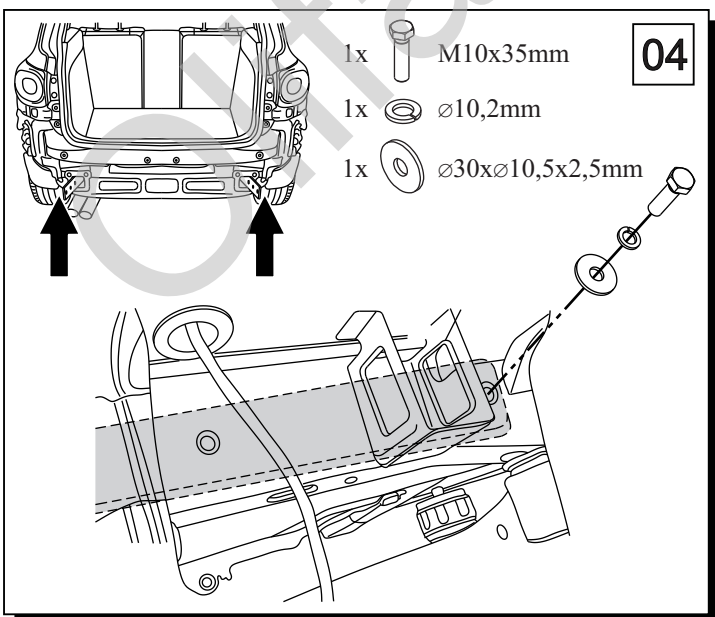
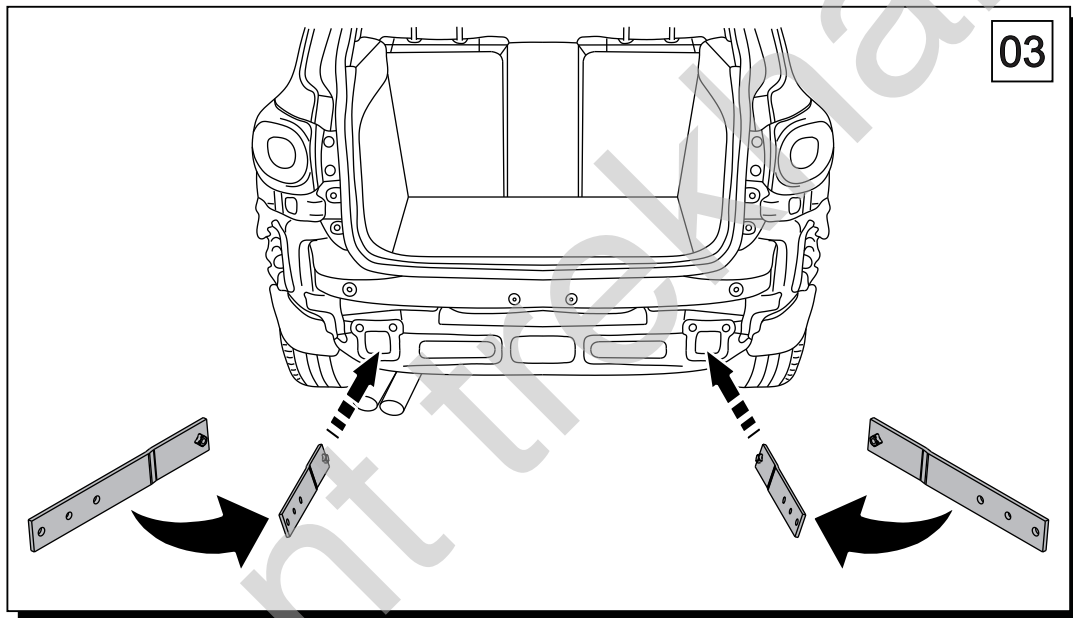
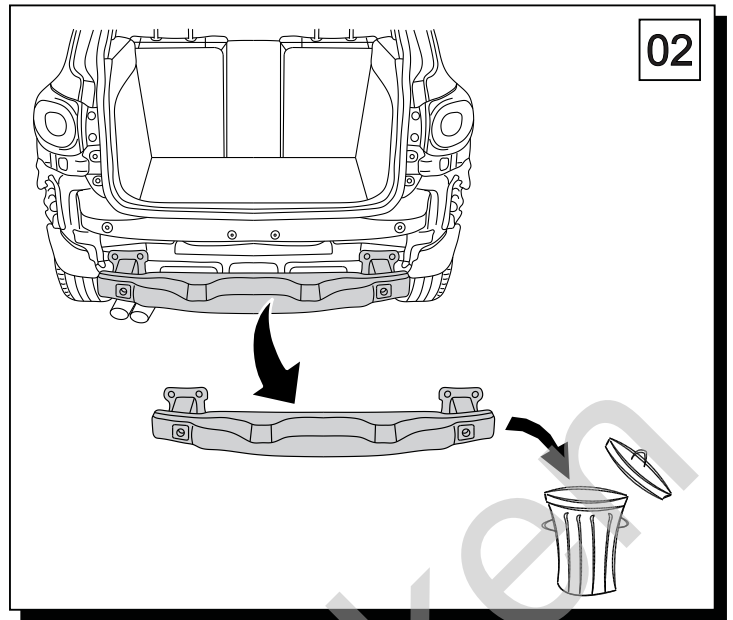
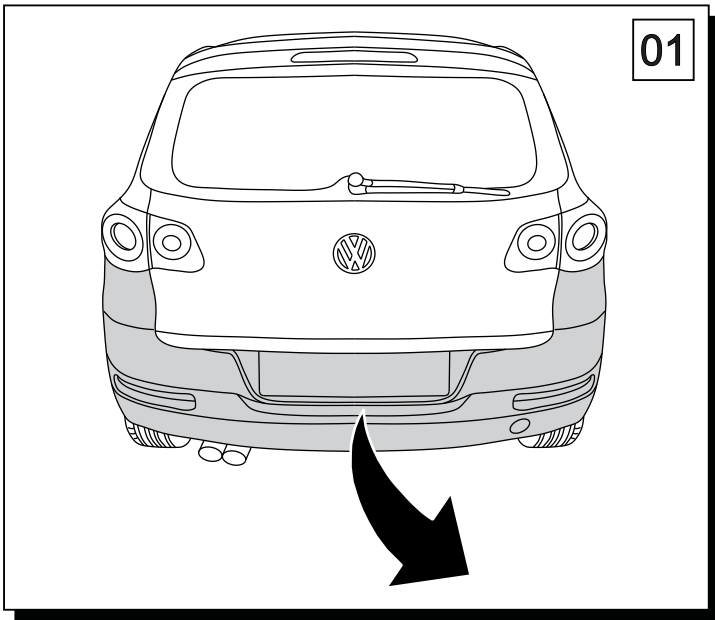
0 km

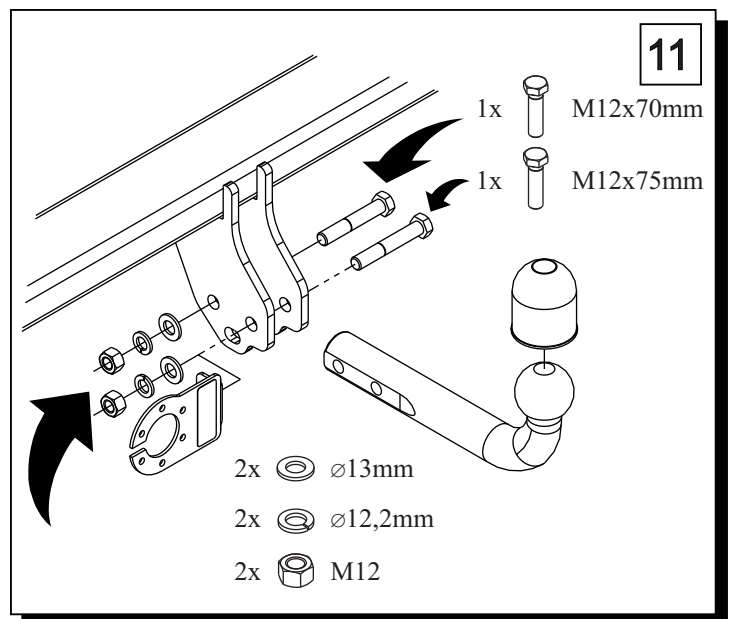
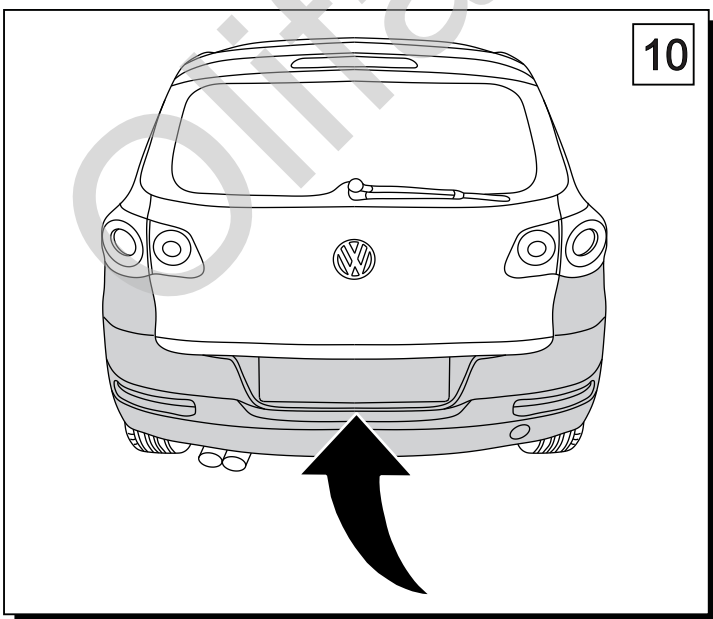
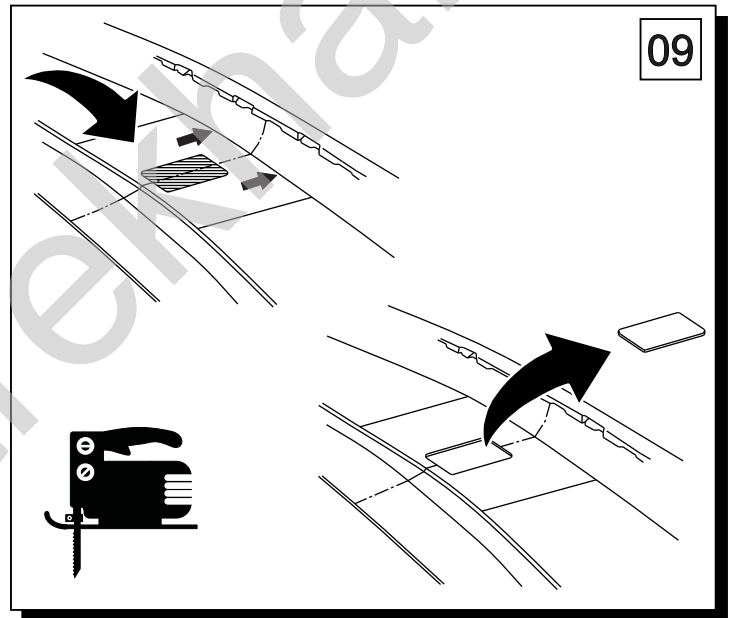
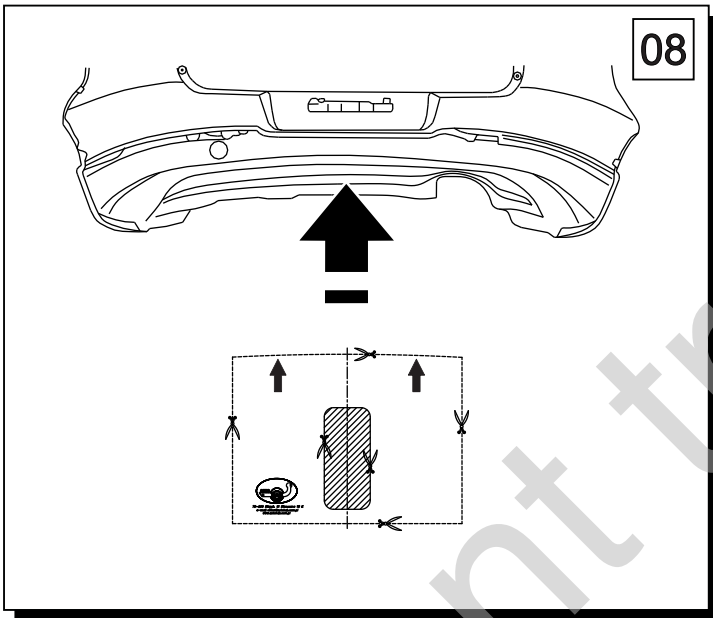
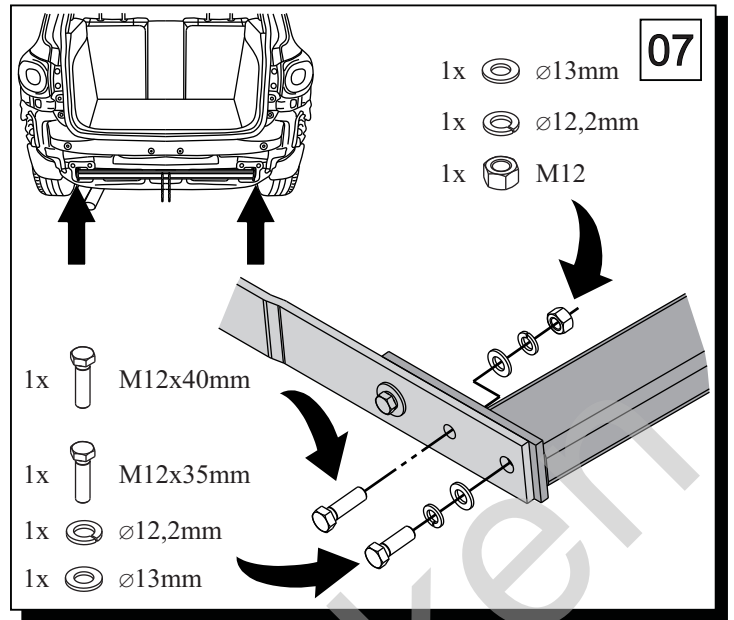
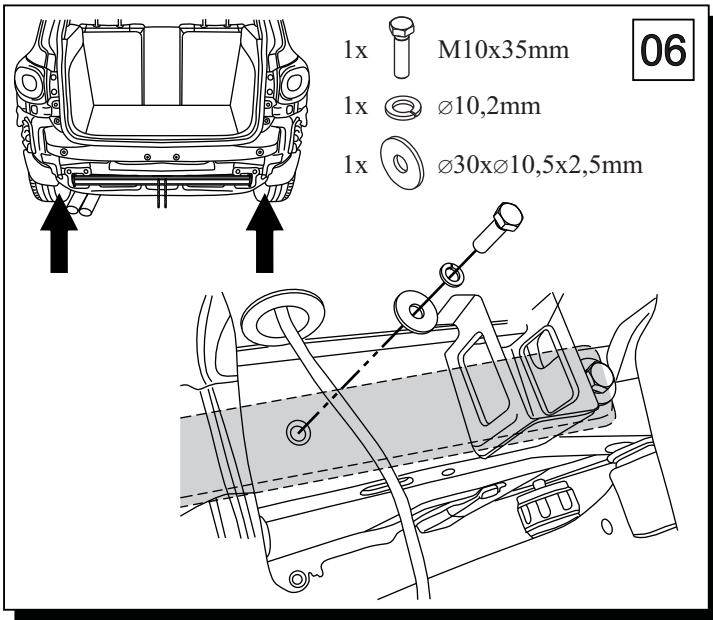


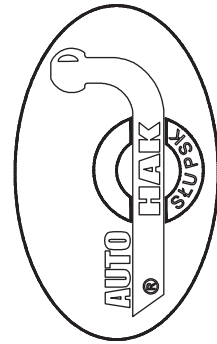
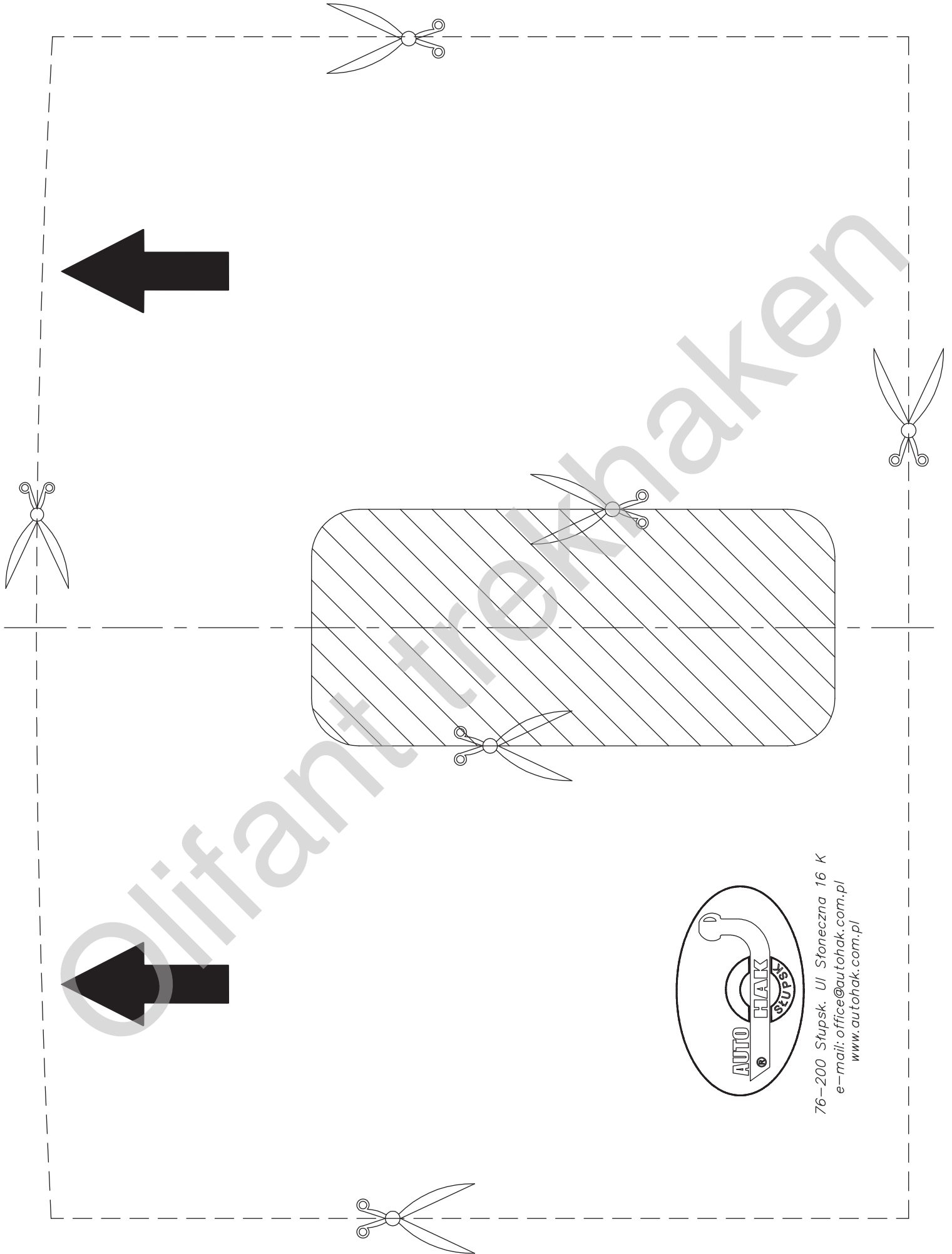
1000 km



1		x1		6	M12x75	x1
				7	M12x70	x1
				8	M12x40	x2
				9	M12x35	x2
				10	M10x35	x4
2		x1		11	∅ 13	x6
				12	∅ 30x∅10.5x2.5 10 (DIN 9021)	x4
3		x2		13	∅ 12.2	x6
				14	∅ 10.2	x4
4		x1		15	M12	x4
5		x1				
						Art.nr-BL1K51







76-200 Stupsk. Ul. Słoneczna 16 K
e-mail: office@autohak.com.pl
www.autohak.com.pl