

AUTO-HAK Sp. z o.o.

ul. Słoneczna 16K 76-200 SŁUPSK
POLAND

tel/fax +48 59 8 414 414; +48 59 8 414 413

e-mail: office@autohak.com.pl

www.autohak.com.pl



AUTO-HAK

HYUNDAI i20 III

Nr kat.

J86



09.2020 →



E20-55R-02 6156



7,06 kN



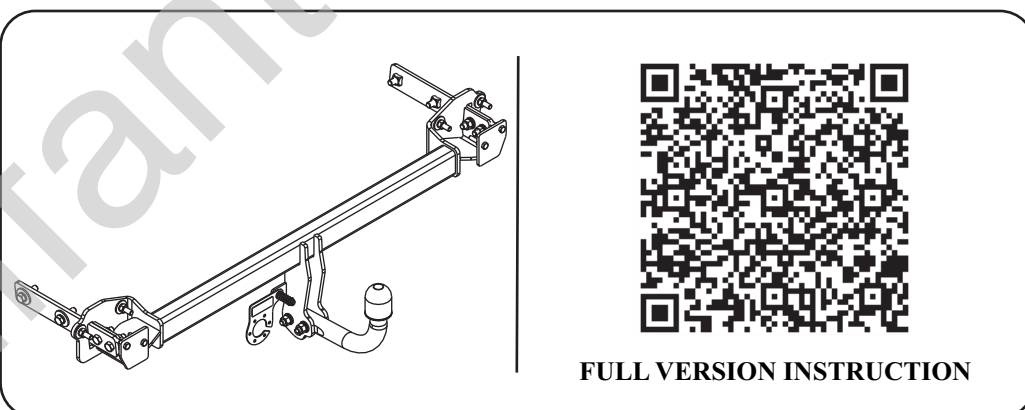
R=1120 kg



S=75 kg



2h



FULL VERSION INSTRUCTION



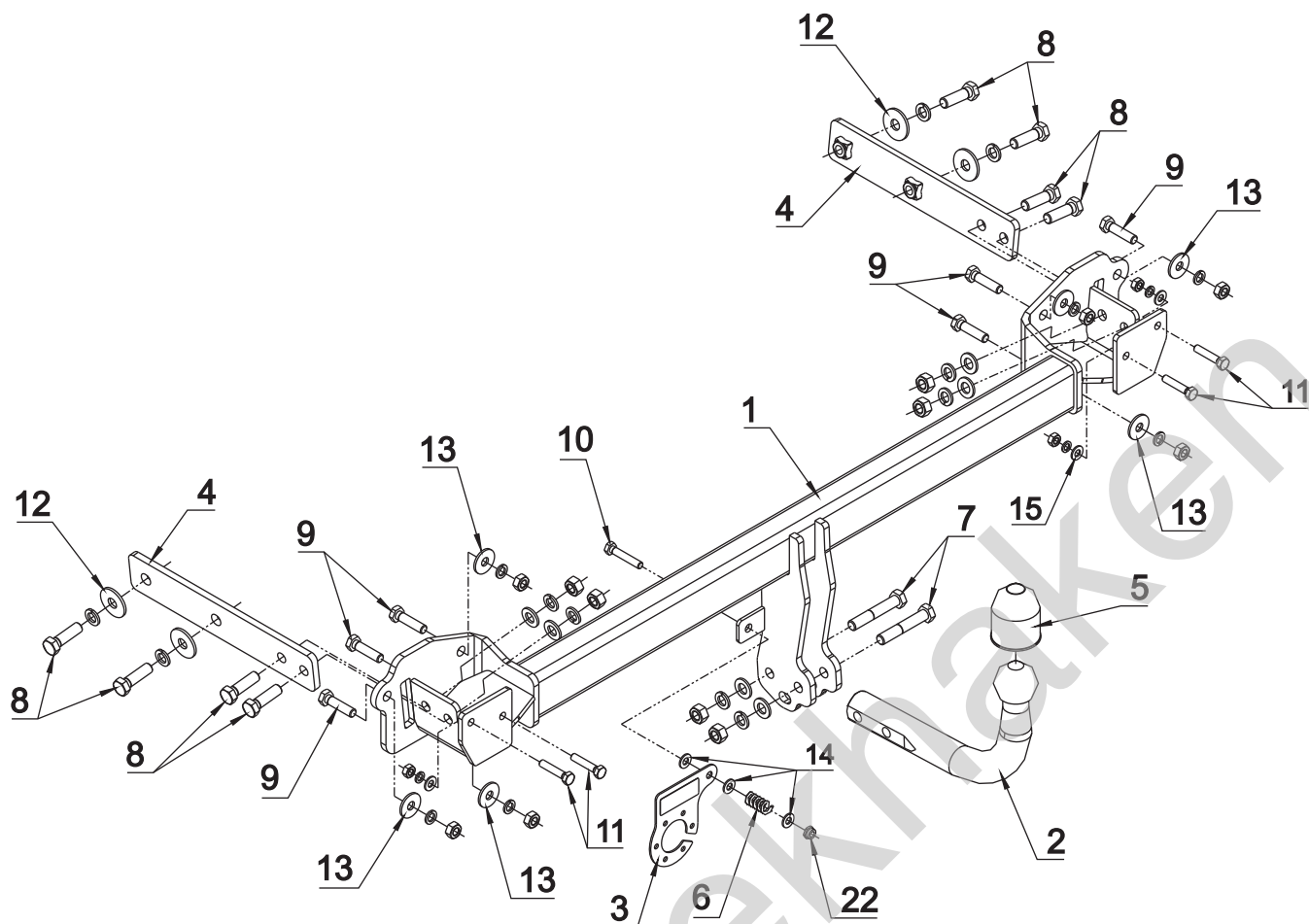
śruba	Nm	M6	M8	M10	M12	M14	M16
klasa 8.8		9,9	24	48	83	132	200
klasa 10.9		14	34	67	117	185	285

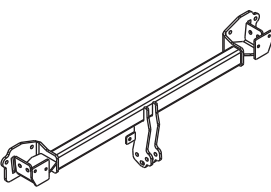

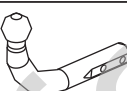


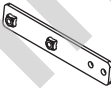



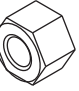



0 km →



1000 km



1		x1		7	M12x70	x2
				8	M12x40	x8
				9	M10x40	x6
				10	M8x45	x1
				11	M8x40	x4
2		x1		12	∅ 37x∅13x3	x4
	Art.nr-KL1J86			13	(DIN 9021)	
3		x1		13	∅ 30x∅10.5x2.5	x6
	Art.nr-BL12J86			10	(DIN 9021)	
4		x2		14	∅ 13	x6
				15	∅ 8.4	x7
5		x1		16	∅ 12.2	x10
				17	∅ 10.2	x6
6		x1		18	∅ 8.2	x4
				19	M12	x6
				20	M10	x6
				21	M8	x4
				22	M8 (DIN985)	x1

