

**AUTO-HAK Sp. z o.o.**

ul. Słoneczna 16K 76-200 SŁUPSK  
POLAND

tel/fax +48 59 8 414 414; +48 59 8 414 413

e-mail: [office@autohak.com.pl](mailto:office@autohak.com.pl)

[www.autohak.com.pl](http://www.autohak.com.pl)



**AUTO-HAK**

**PEUGEOT 3008  
HYBRID**

Nr kat.

**F55V**



04.2024 →



E20\*55R02\*6929



2h



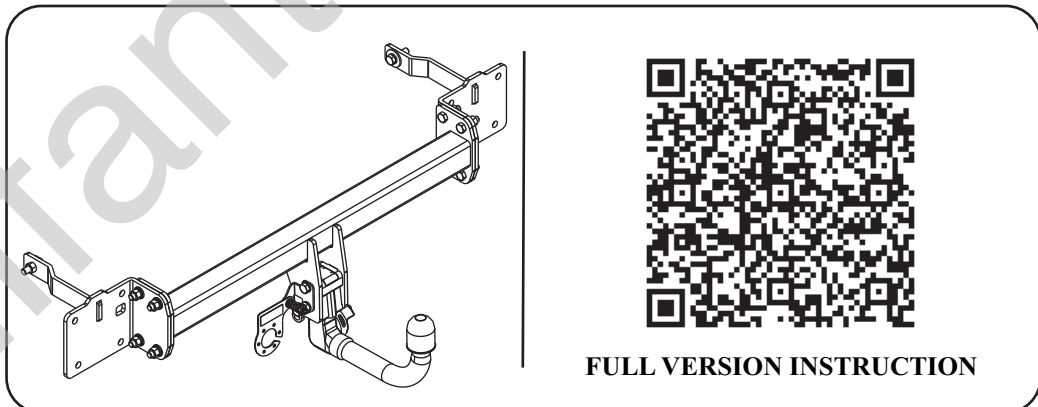
10,9 kN



R=2000 kg



S=85 kg



FULL VERSION INSTRUCTION



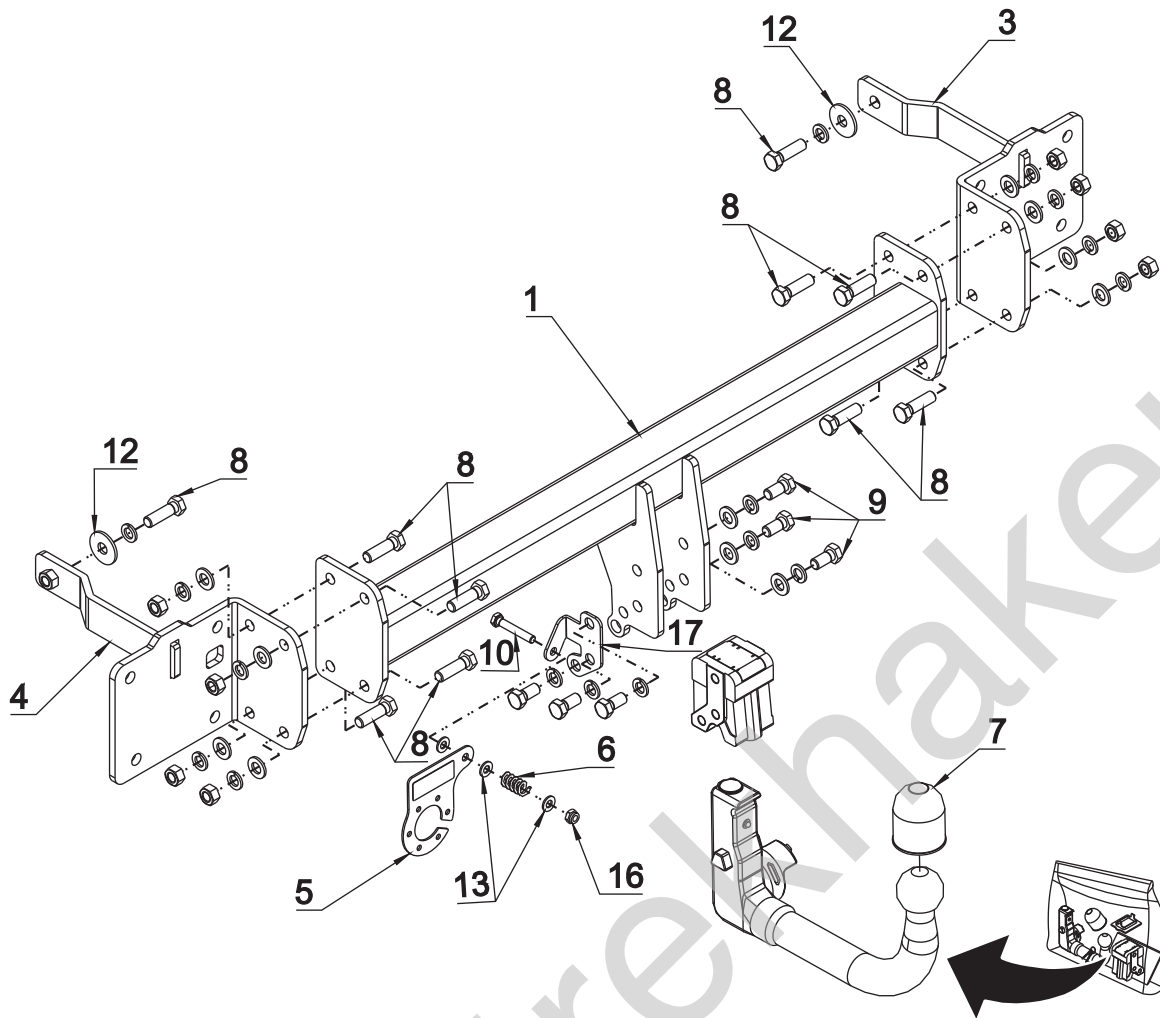
śruba	Nm	M6	M8	M10	M12	M14	M16
klasa 8.8		9,9	24	48	83	132	200
klasa 10.9		14	34	67	117	185	285

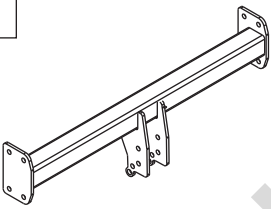



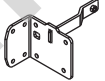

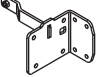

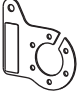






0 km →

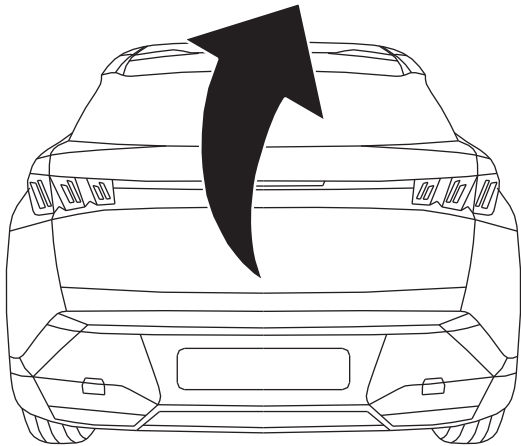


1000 km

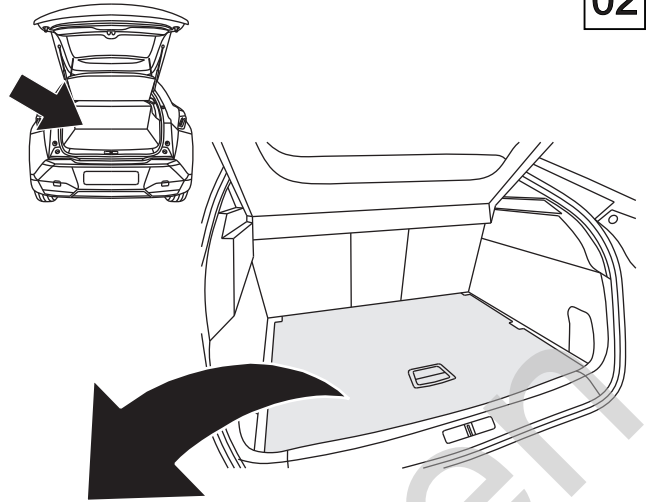


1		x1		8	M12x40	x10
				9	M12x25	x6
2		x1		10	M8x50	x1
				11	∅ 13	x11
3		x1		12	∅ 37x∅13x3 13 (DIN 9021)	x2
				13	∅ 8.4	x3
4		x1		14	∅ 12.2	x16
5		x1		15	M12	x8
6		x1		16	M8 (DIN985)	x1
7		x1		17		x1
			Art.nr-BL1F55V			

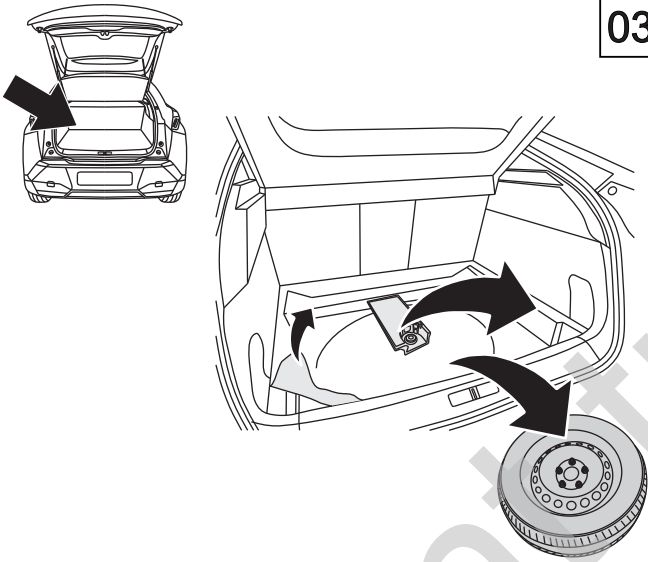
01



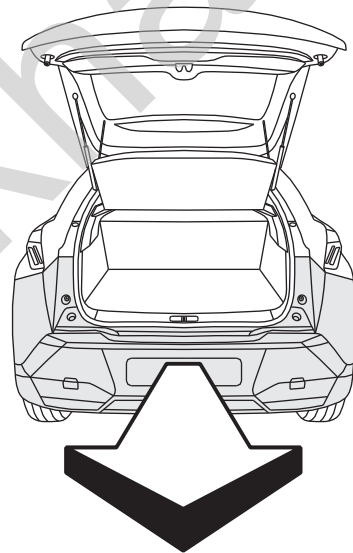
02



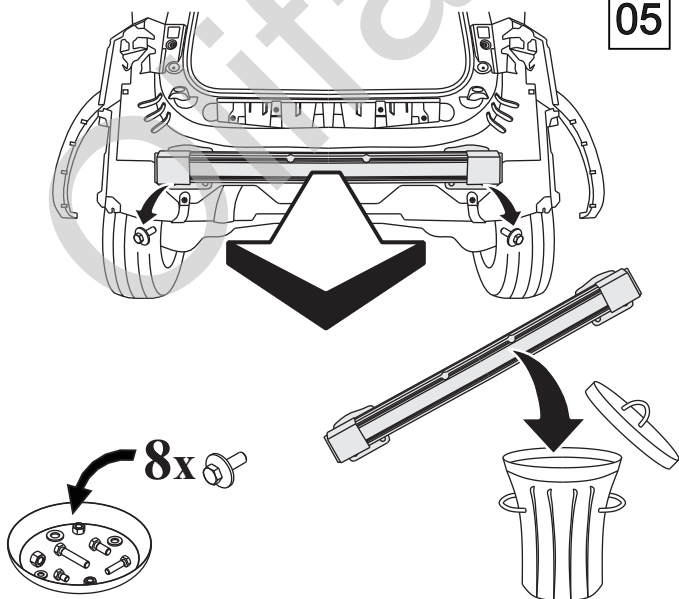
03



04



05



06

