

AUTO-HAK Sp. z o.o.

ul. Słoneczna 16K 76-200 SŁUPSK
POLAND

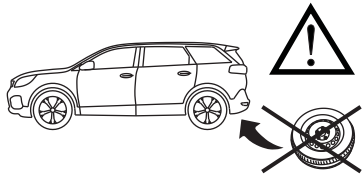
tel/fax +48 59 8 414 414; +48 59 8 414 413

e-mail: office@autohak.com.pl

www.autohak.com.pl



AUTO-HAK



PEUGEOT 5008

wersja bez koła zapasowego
z tyłu

Nr kat.

F48



05.2017 → 09.2024



E20-55R-01 5102



2h



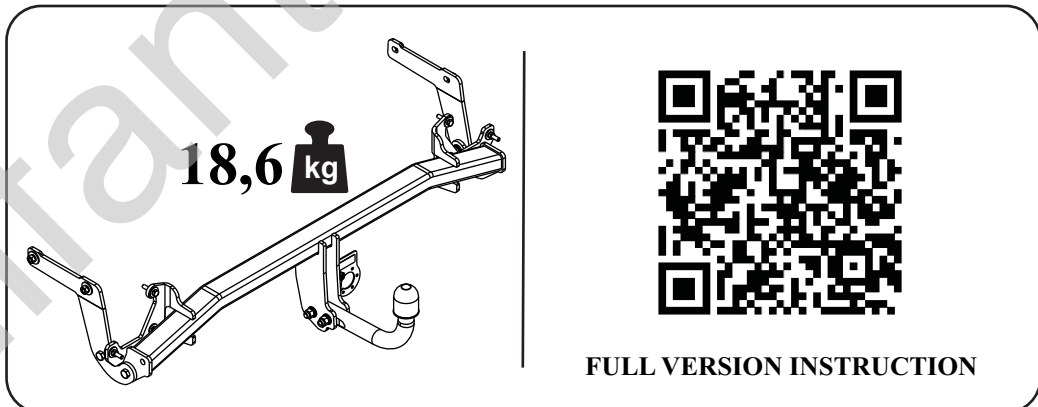
10,10 kN



R=2000 kg



S=100 kg



FULL VERSION INSTRUCTION



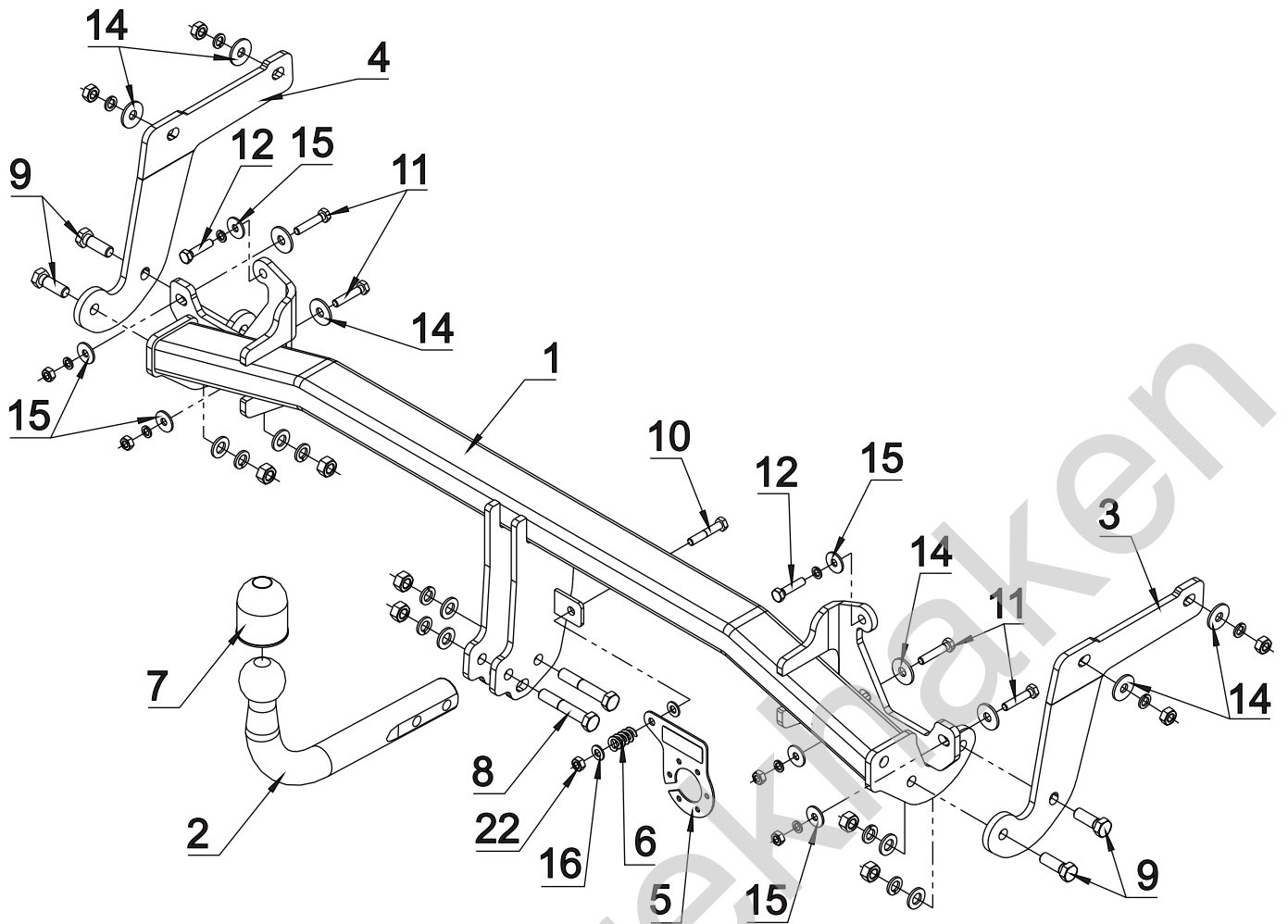
śruba	Nm	M6	M8	M10	M12	M14	M16
klasa 8.8		9,9	24	48	83	132	200
klasa 10.9		14	34	67	117	185	285

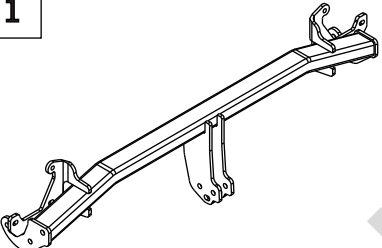

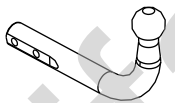
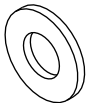


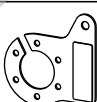

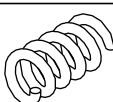

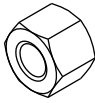


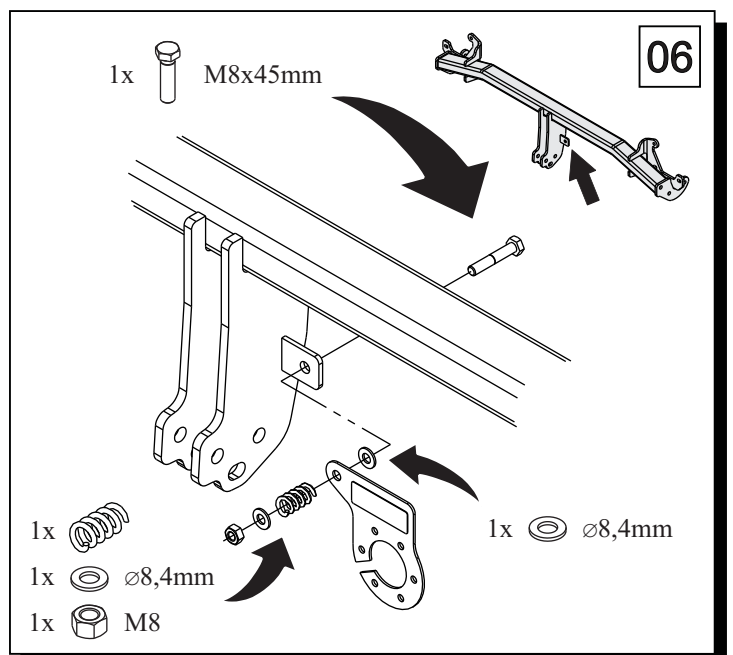
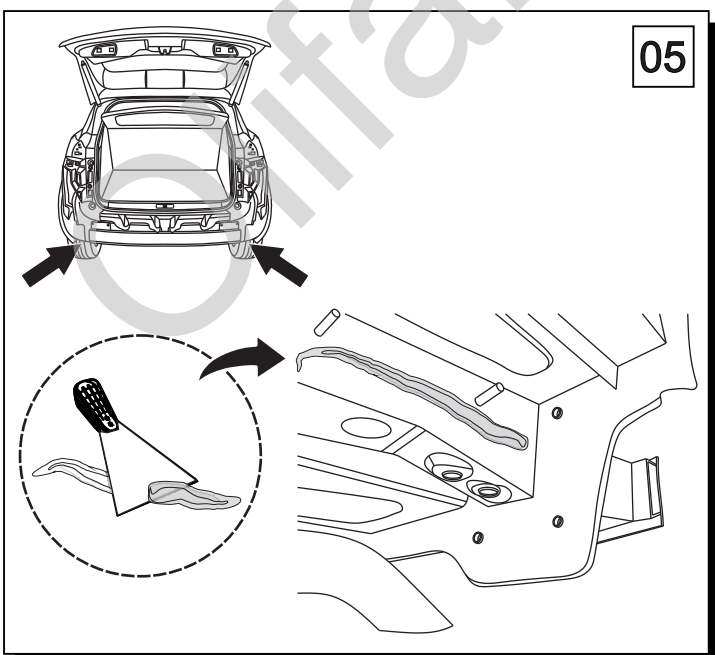
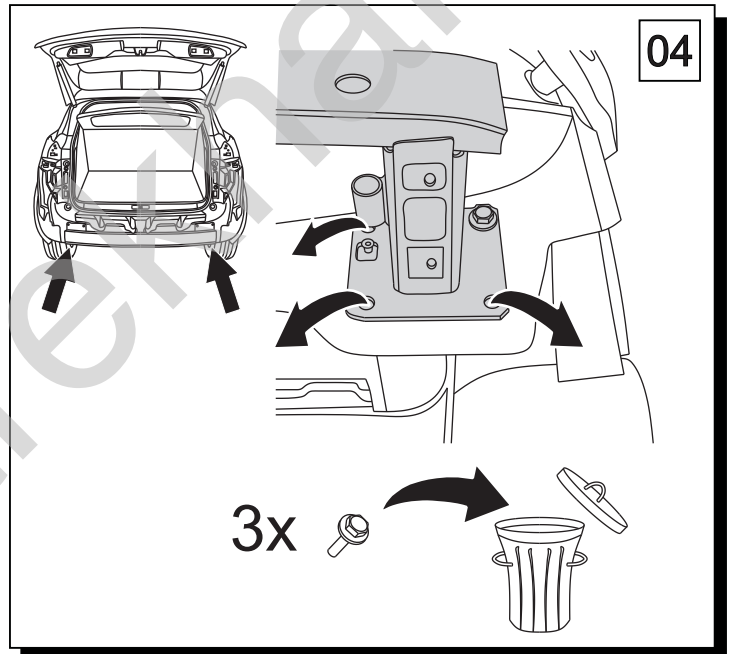
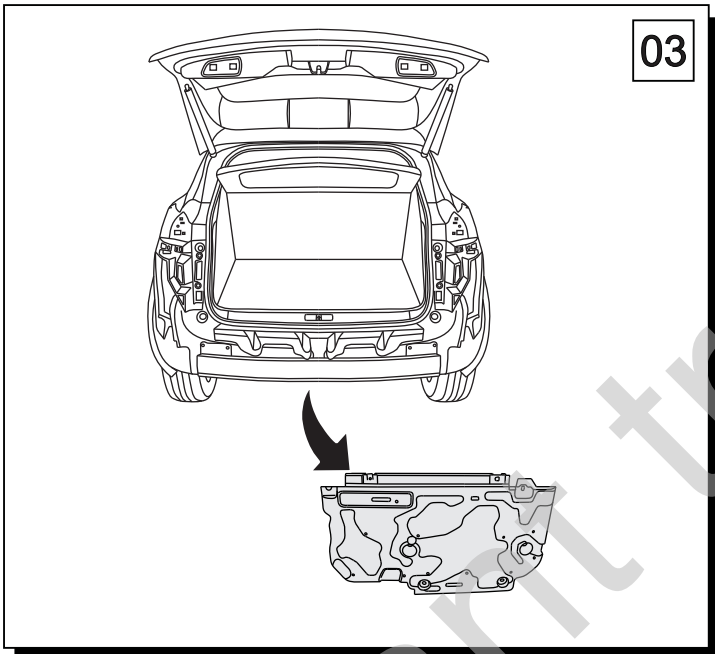
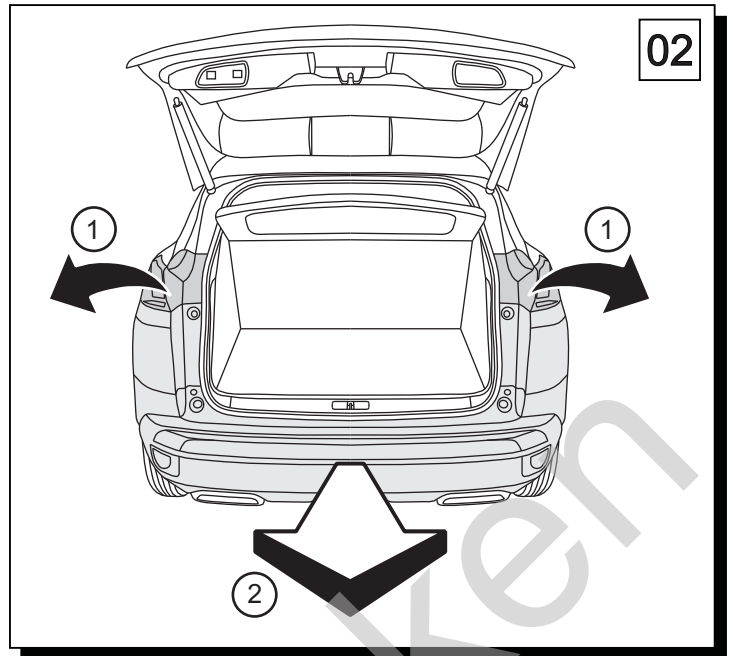
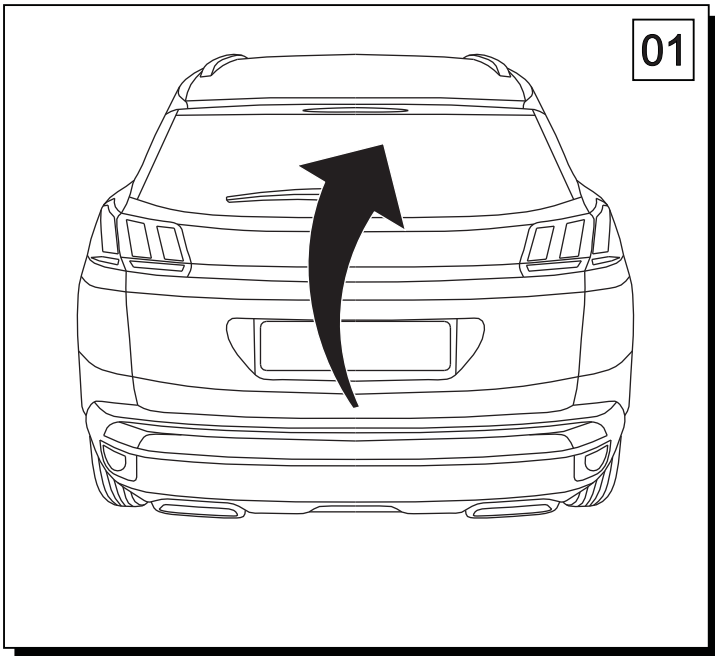
0 km →

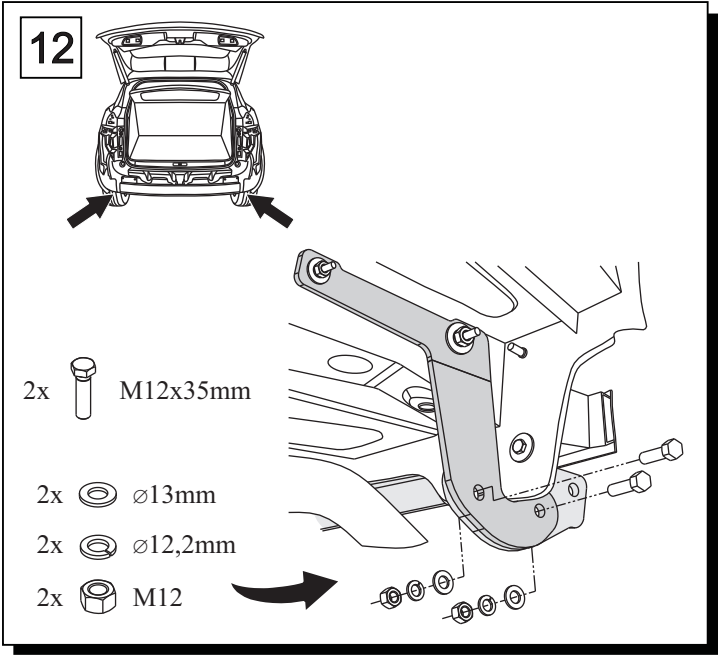
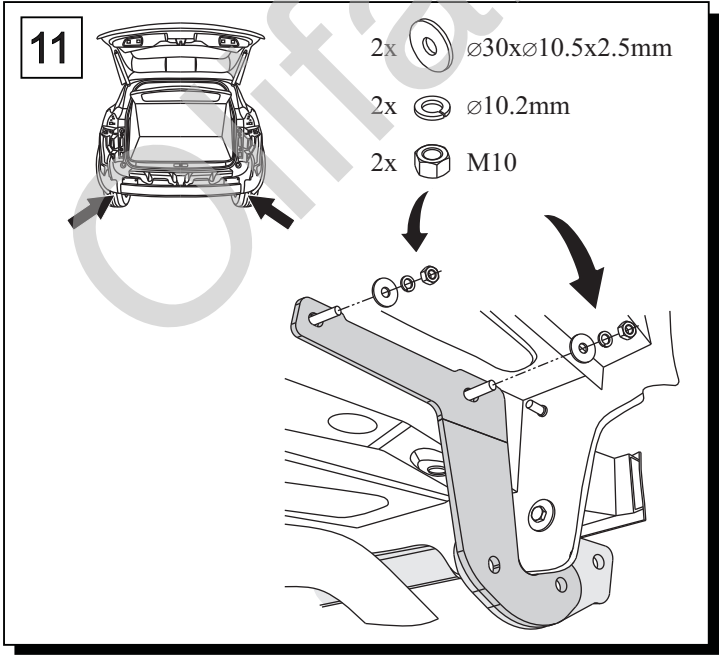
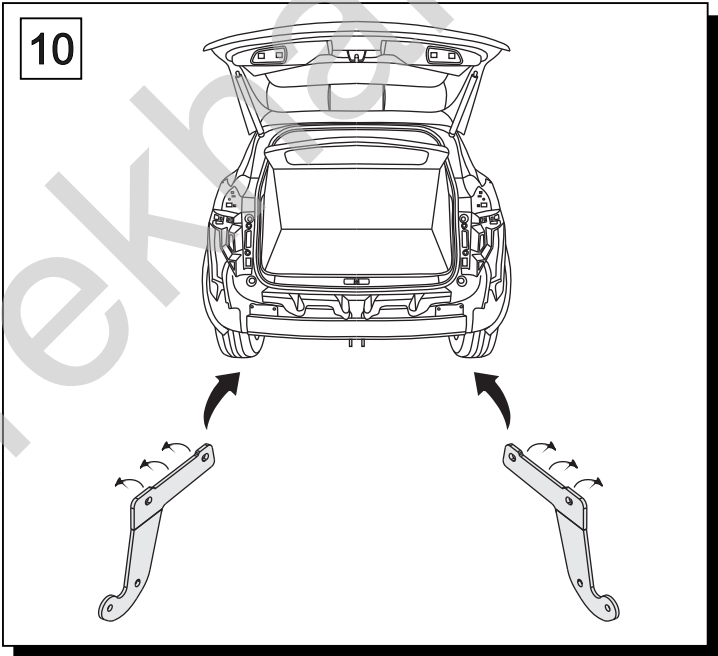
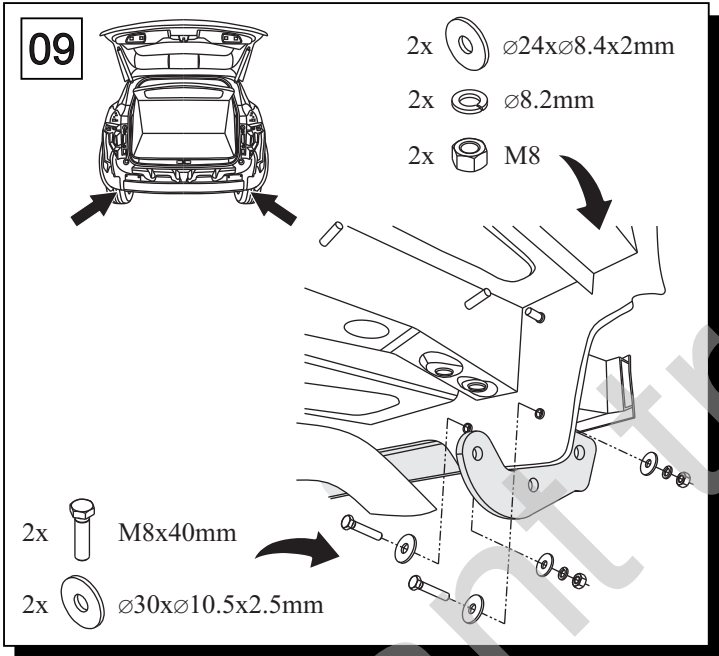
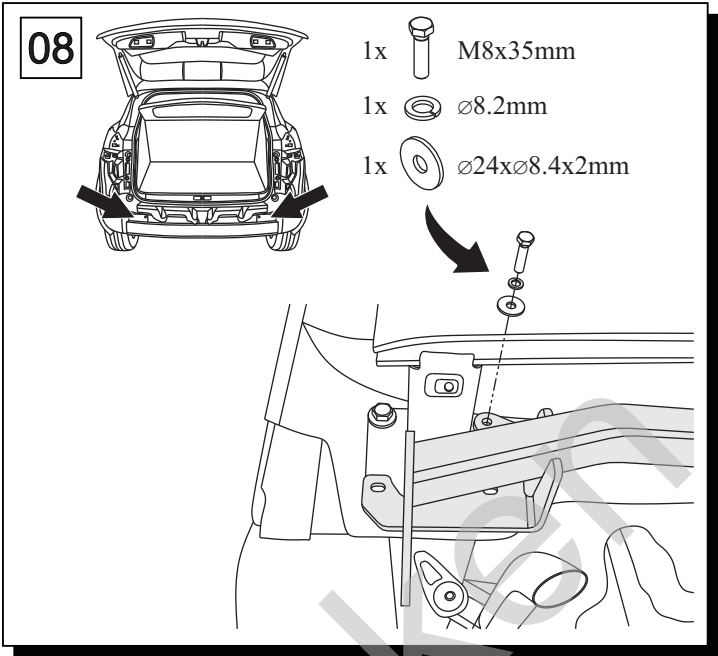
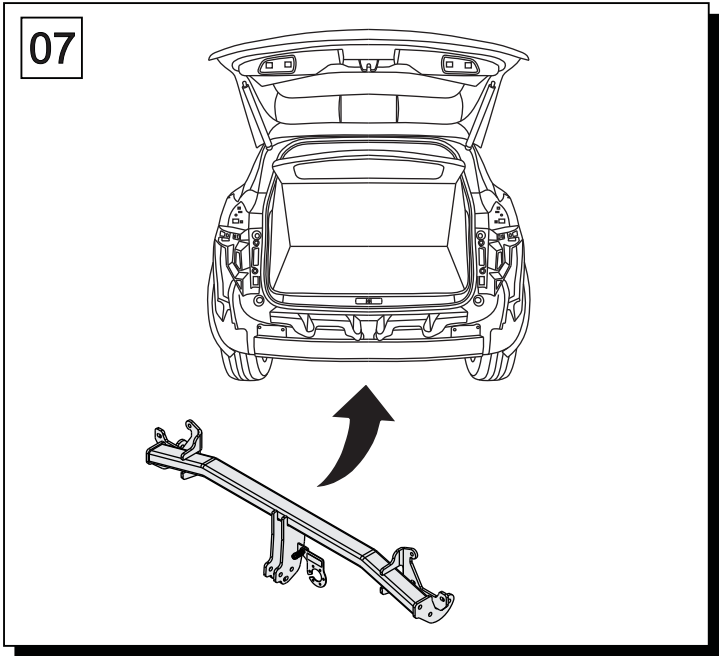


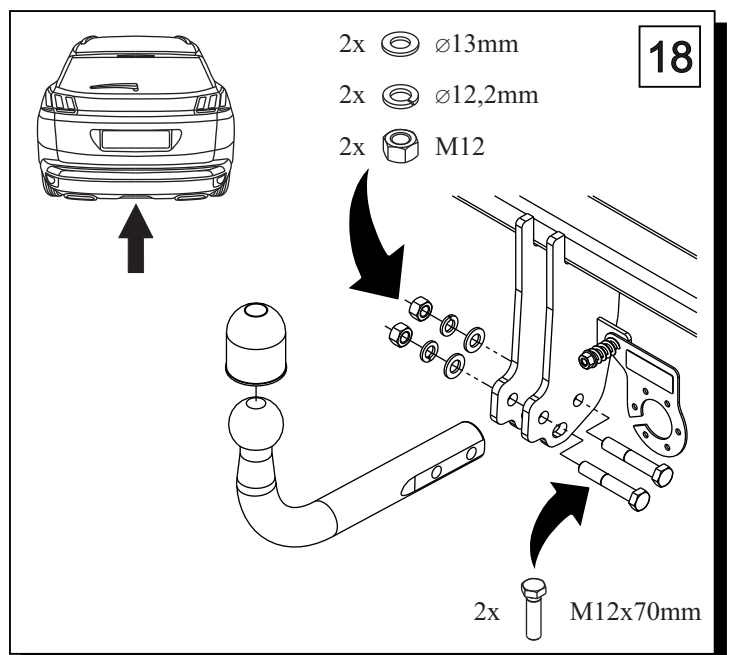
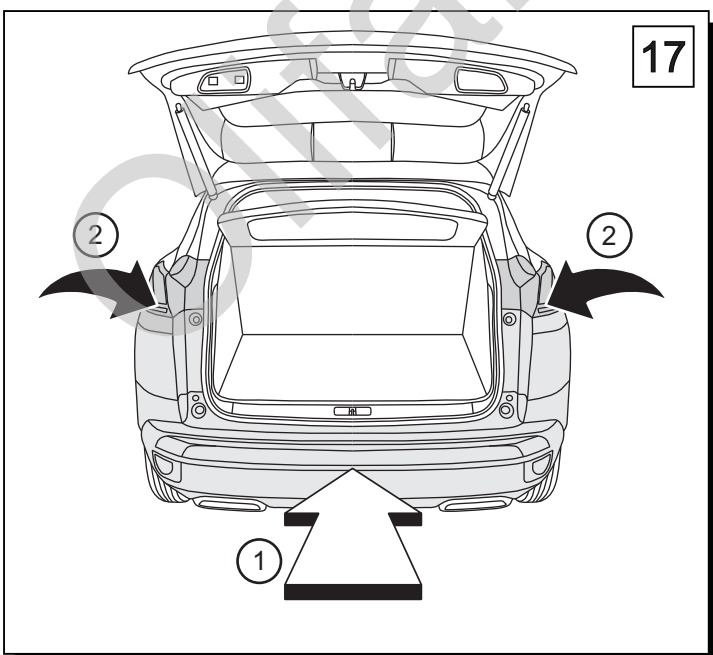
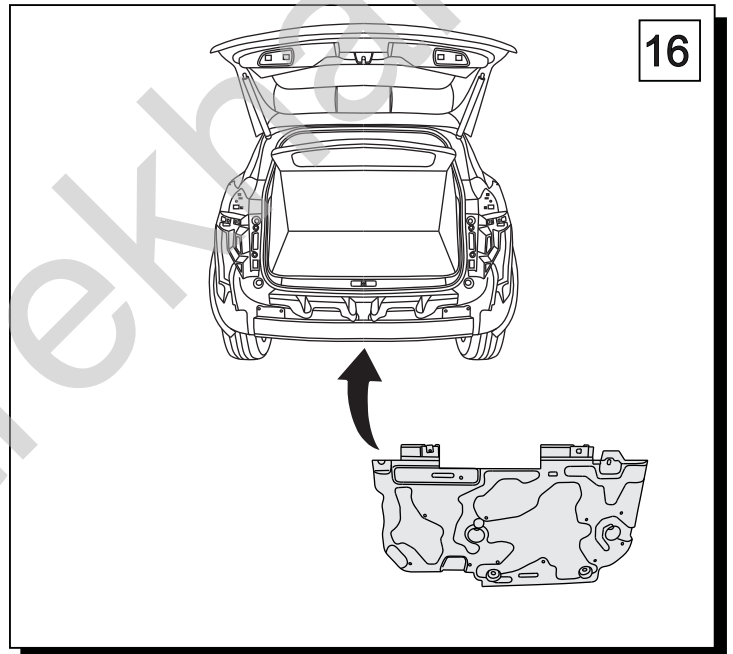
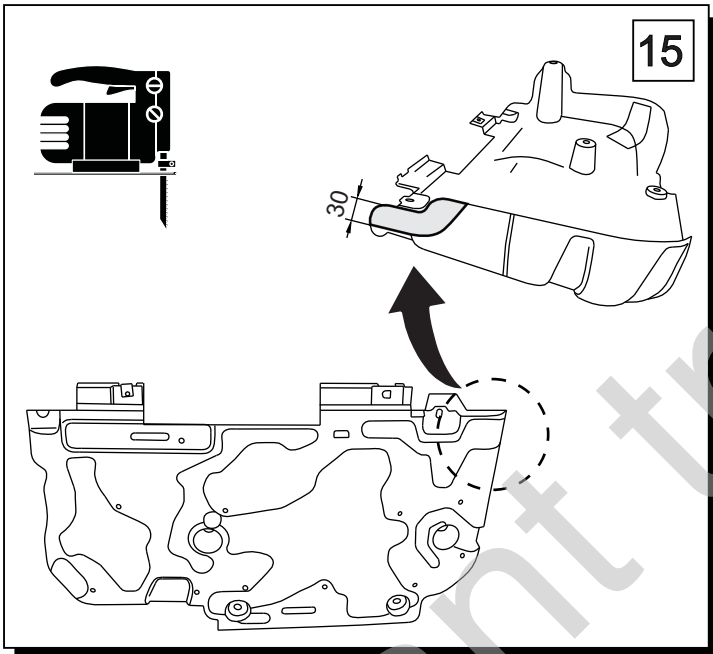
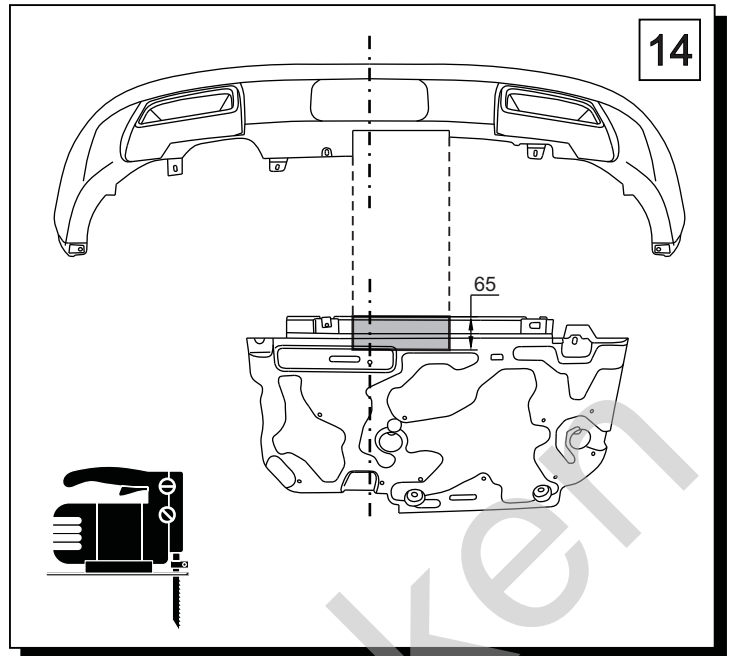
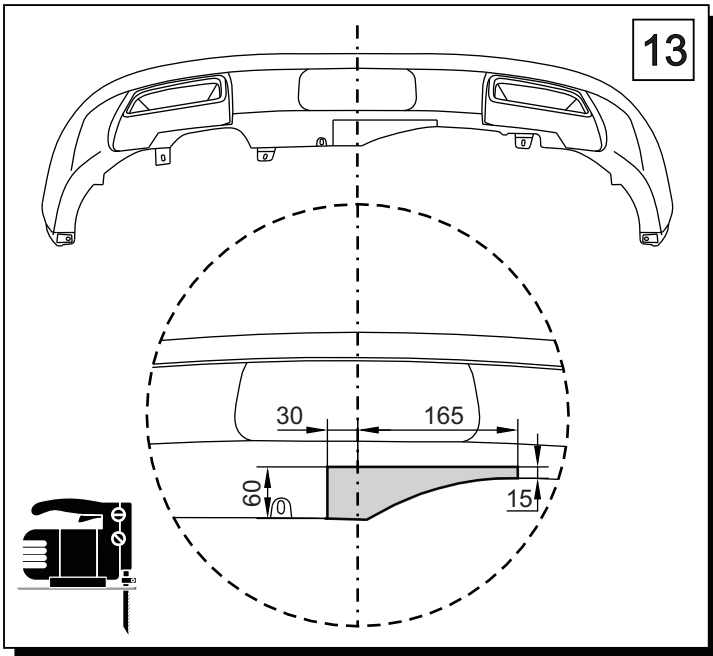
1000 km



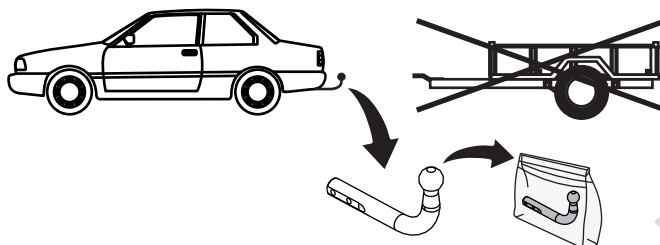
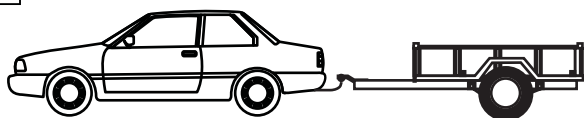
1		x1		8	M12x70	x2
				9	M12x35	x4
				10	M8x45	x1
				11	M8x40	x4
				12	M8x35	x2
2		x1		13	∅ 13	x6
	Art.nr-KL1F48			14	∅ 30x∅10.5x2.5 10 DIN 9021	x8
3		x1		15	∅ 24x∅8.4x2 8 DIN 9021	x6
4		x1		16	∅ 8.5	x2
5		x1		17	∅ 12.2	x6
	Art.nr-BL1F48			18	∅ 10.2	x4
6		x1		19	∅ 8.2	x6
7		x1		20	M12	x6
				21	M10	x4
				22	M8	x5







19



Olifant trekhaken