

AUTO-HAK Sp. z o.o.

ul. Słoneczna 16K 76-200 SŁUPSK
POLAND

tel/fax +48 59 8 414 414; +48 59 8 414 413

e-mail: office@autohak.com.pl

www.autohak.com.pl



AUTO-HAK

ALFA ROMEO STELVIO (SUV)

~~2.9 V6 GME BI-TURBO
QUADRIFOGLIO~~

Cat. no:

AL41A



11.2016 →



E20-55R-01 5199



2h



11,35 kN

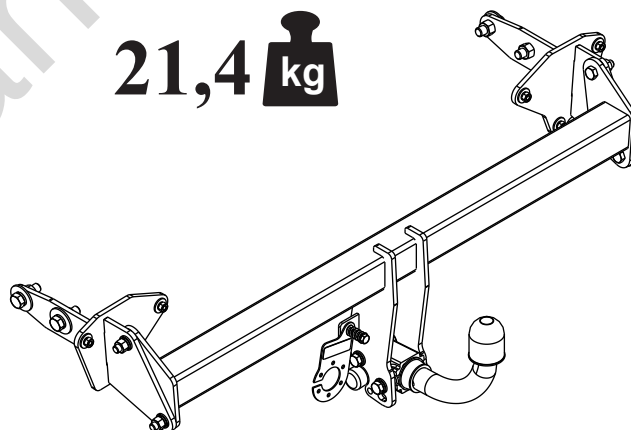


R=2300 kg



S=95 kg

21,4 kg



M6 - 8,5 Nm
M10 - 41 Nm
M14 - 112 Nm

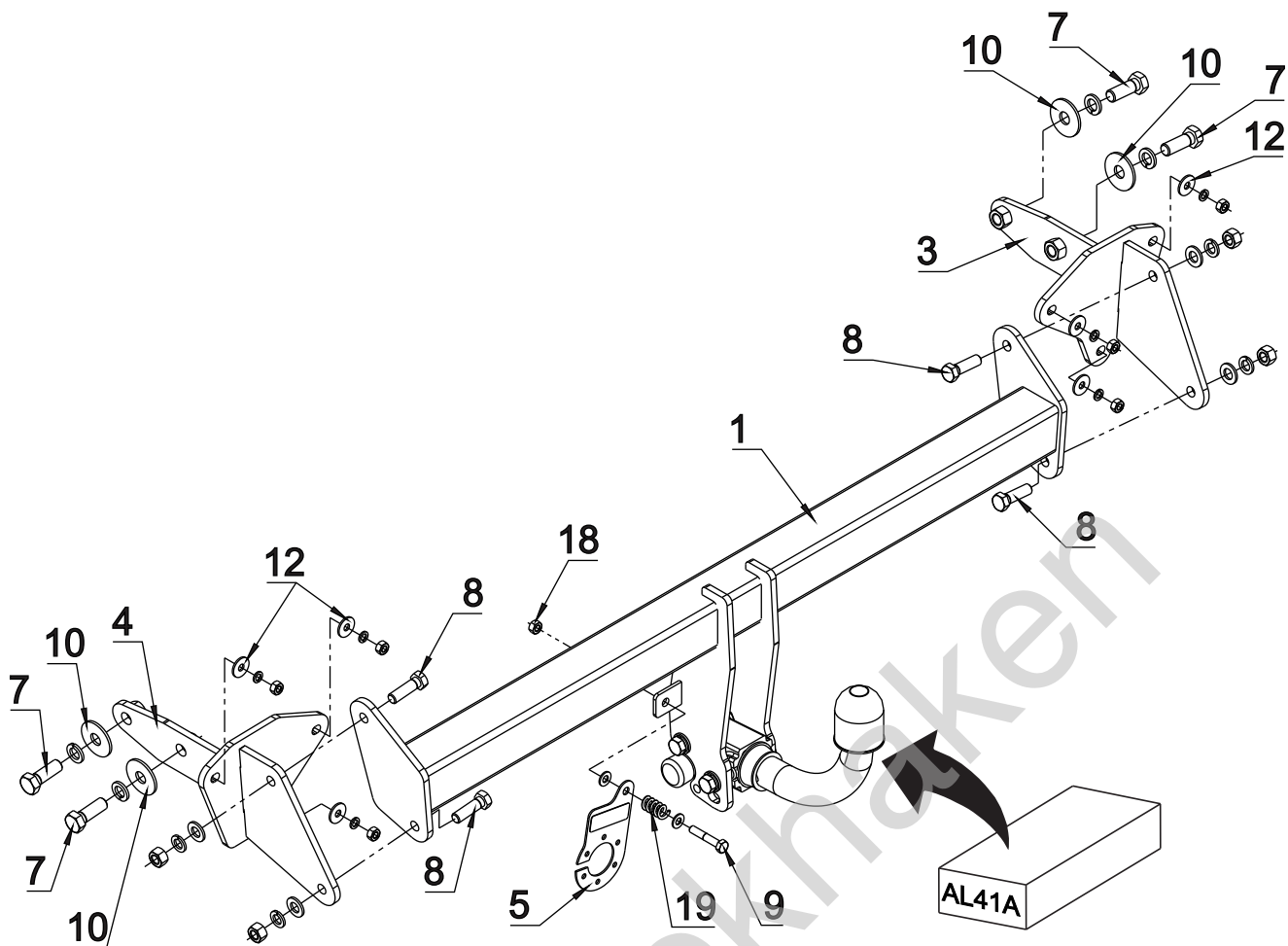
M8 - 20 Nm
M12 - 70 Nm
M16 - 170 Nm

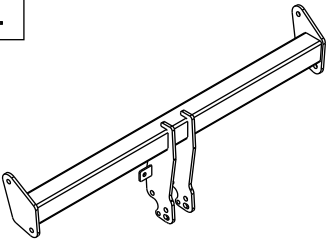
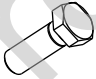
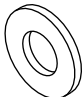
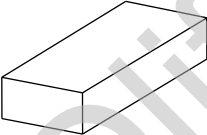
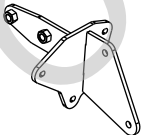

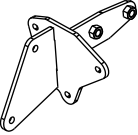
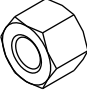
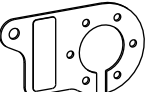
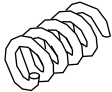
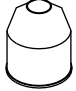


0 km →



1000 km



1		x1		7	M14x40	x4
				8	M12x40	x4
				9	M8x45	x1
				10	∅ 44x∅15x3 15 (DIN 9021)	x4
2	 Art.nr-KL1AL41A	x1		11	∅ 13	x4
				12	∅ 24x∅8.4x2 8 (DIN 9021)	x6
3		x1		13	∅ 8.4	x2
				14	∅ 14.2	x4
				15	∅ 12.2	x4
4		x1		16	∅ 8.2	x6
				17	M12	x6
				18	M8	x7
5	 Art.nr-BL1AL41A	x1	19			x1
6		x1				

