

AUTO-HAK Sp. z o.o.

ul. Słoneczna 16K 76-200 SŁUPSK
POLAND

tel/fax +48 59 8 414 414; +48 59 8 414 413

e-mail: office@autohak.com.pl

www.autohak.com.pl



AUTO-HAK

ALFA ROMEO 156, 4D

~~GTA 3,2L 154W~~



11.1997 → 09.2005

Cat. no:

AL34A

ALFA ROMEO 156, SPORTWAGON

Kombi

~~4x4, GTA 3,2L 154W~~



06.2000 → 05.2006



2h

E20

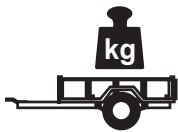
E20-55R-01 4290

D

8,66 kN



-



R=1600 kg

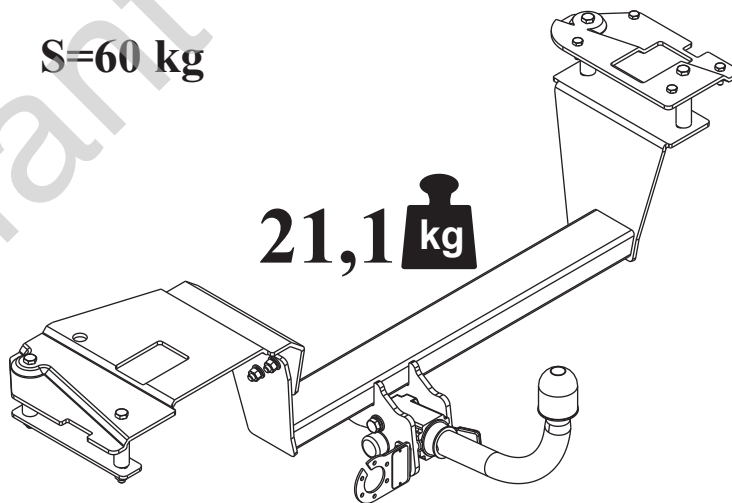


-



S=60 kg

21,1 kg



M6 - 11 Nm
M10 - 50 Nm
M14 - 138 Nm

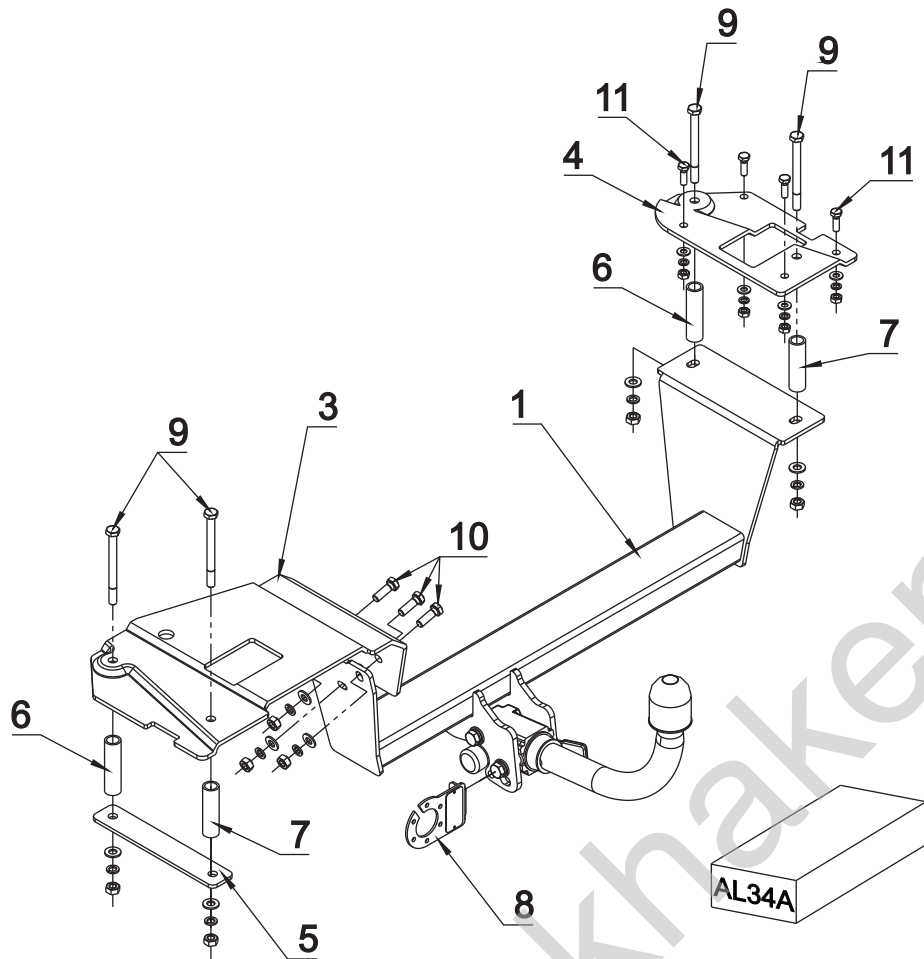
M8 - 25 Nm
M12 - 87 Nm
M16 - 210 Nm

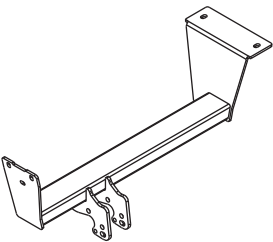

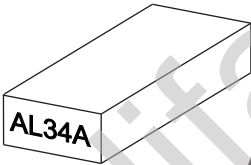


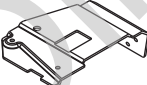
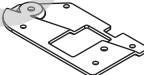

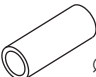
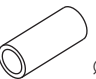
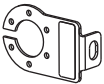


0 km →



1000 km



	x1		9	M10x110	x4
			10	M10x30	x3
			11	M8x25	x4
			12	∅ 10.5	x7
 Art.nr-KL1AL34A	x1		13	∅ 8.5	x4
			14	∅ 10.2	x7
			15	∅ 8.2	x4
	x7	16	M10	x7	
		17	M8	x4	
	x1				
	x1				
	x2				
 ∅21.3x2,65mm L=80mm	x2				
 ∅21.3x2,65mm L=74mm	x1				
 Art.nr-BL1AL34A	x1				

