

**AUTO-HAK Sp. z o.o.**

ul. Słoneczna 16K 76-200 SŁUPSK  
POLAND

tel/fax +48 59 8 414 414; +48 59 8 414 413

e-mail: [office@autohak.com.pl](mailto:office@autohak.com.pl)

[www.autohak.com.pl](http://www.autohak.com.pl)



**AUTO-HAK**

## AUDI Q5 (FY) + S-Line

Nr kat.

**A37A**



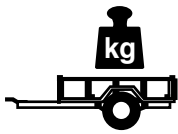
02.2017 →



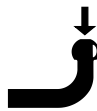
E20-55R-01 5413



11,90 kN



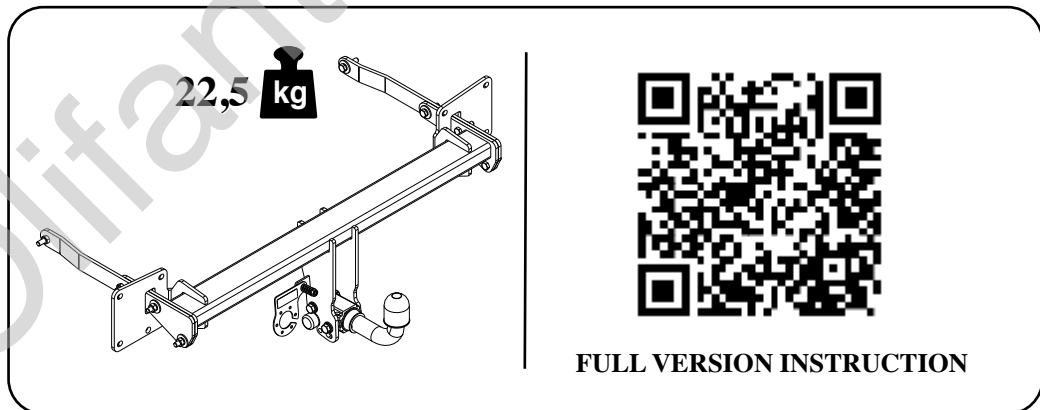
R=2400 kg



S=100 kg



2h



FULL VERSION INSTRUCTION



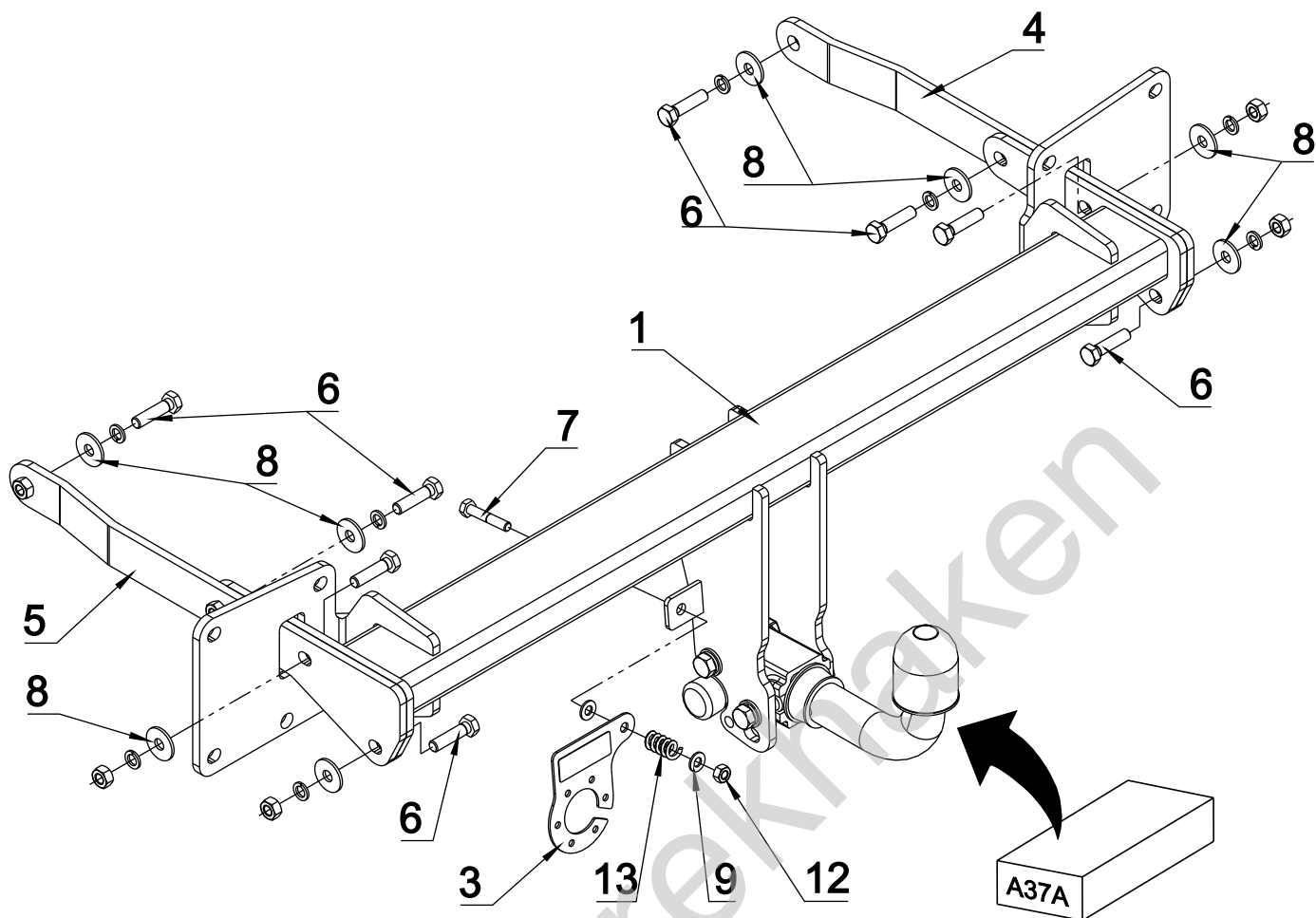
śruba	Nm	M6	M8	M10	M12	M14	M16
klasa 8.8		9,9	24	48	83	132	200
klasa 10.9		14	34	67	117	185	285

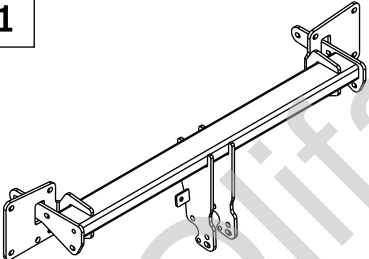



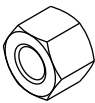
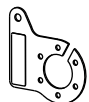

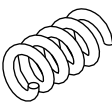
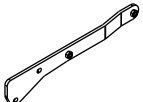
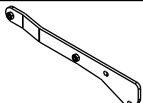


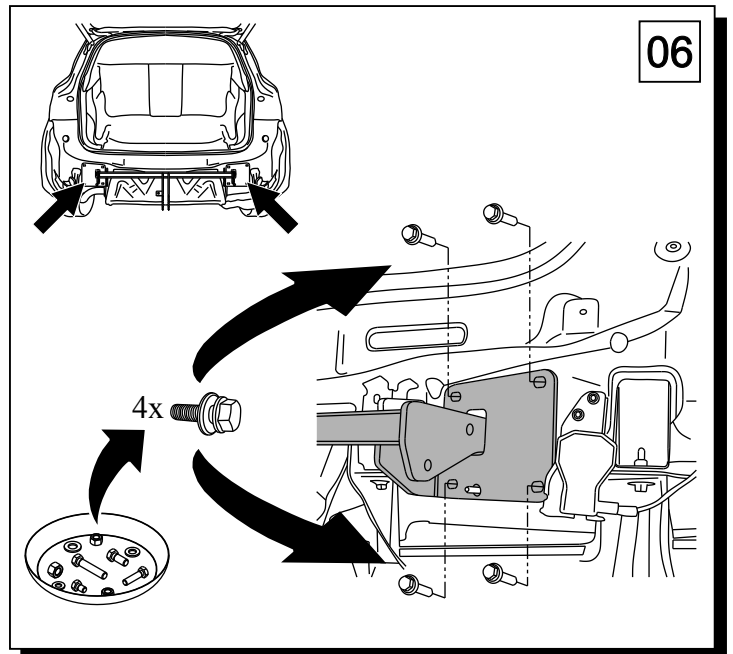
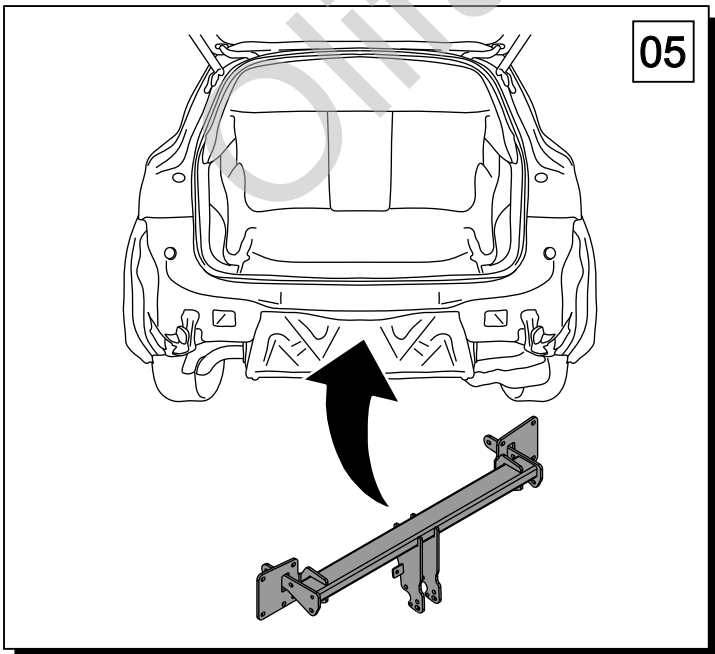
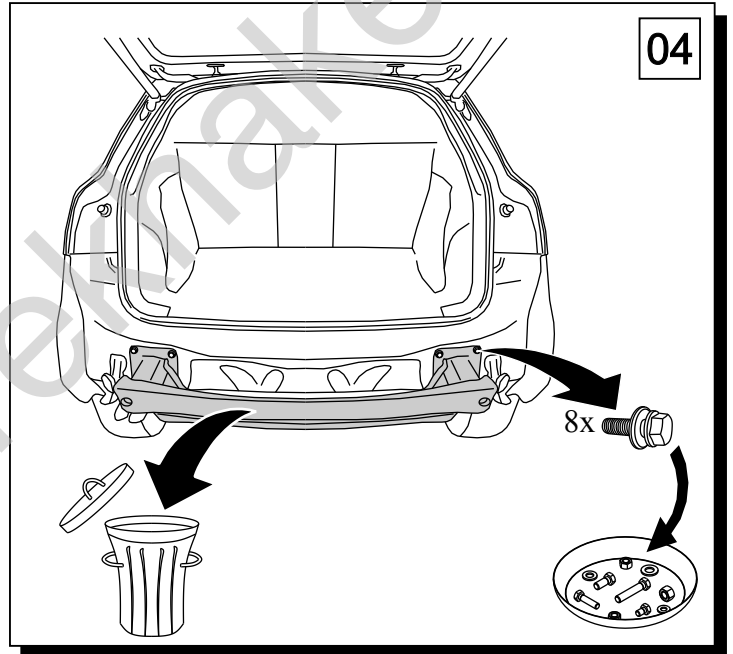
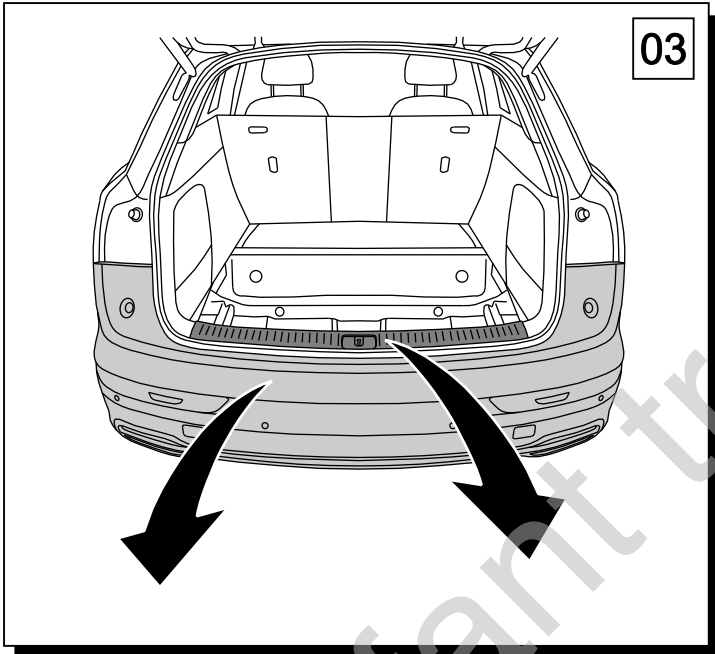
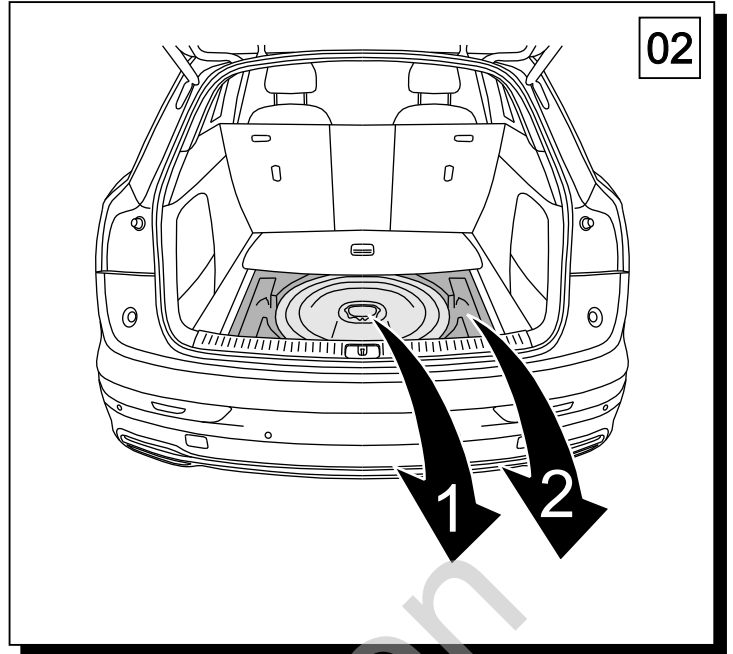
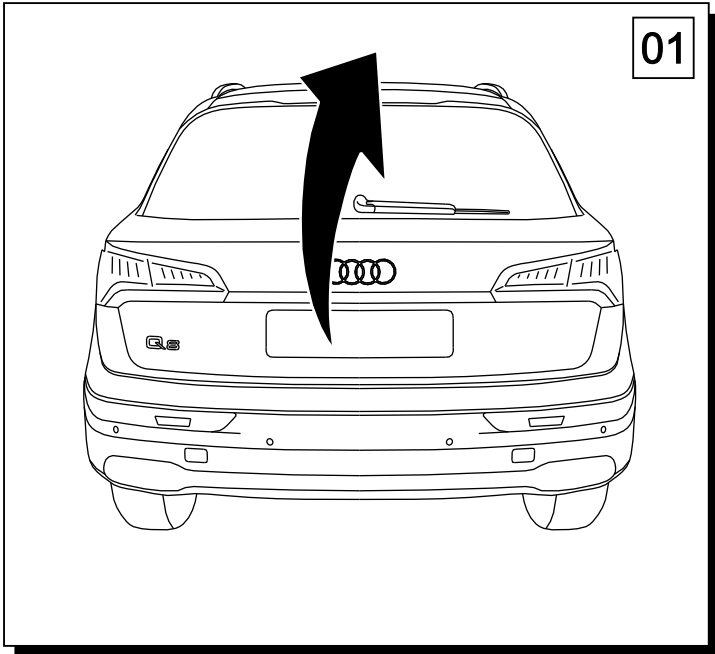
0 km →

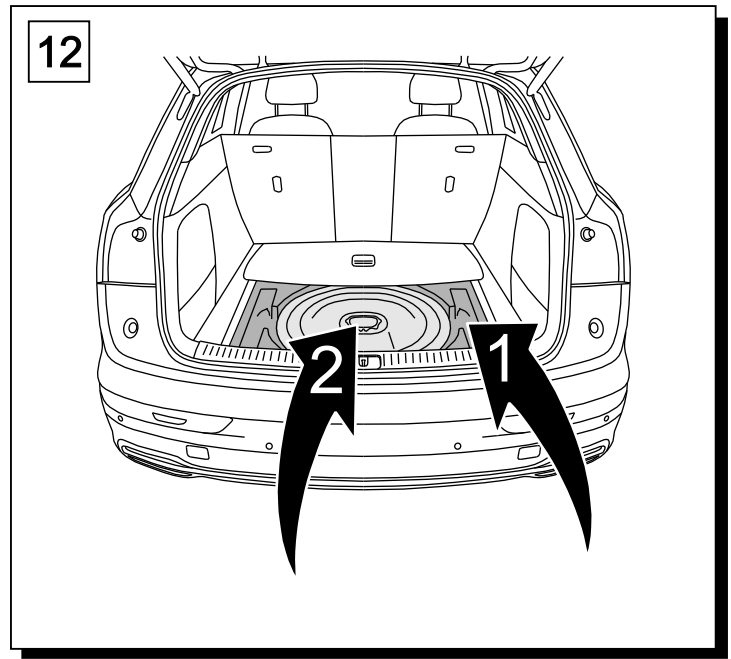
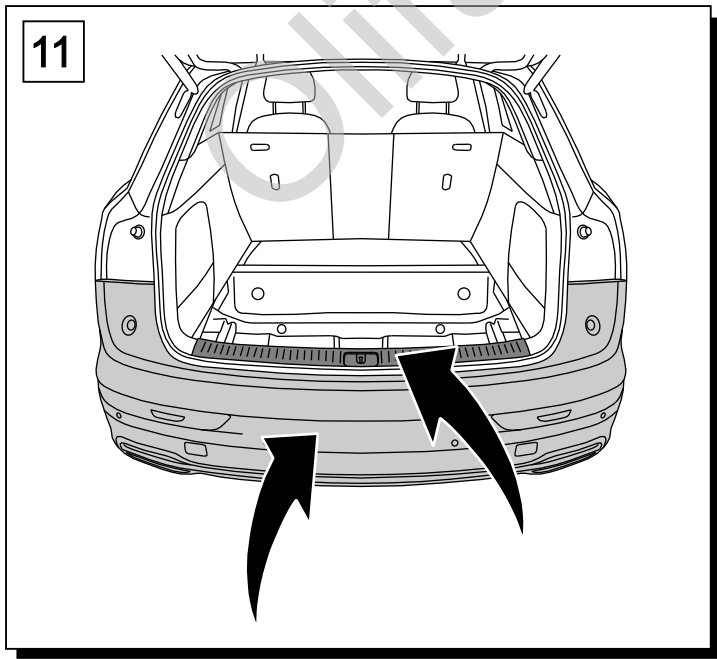
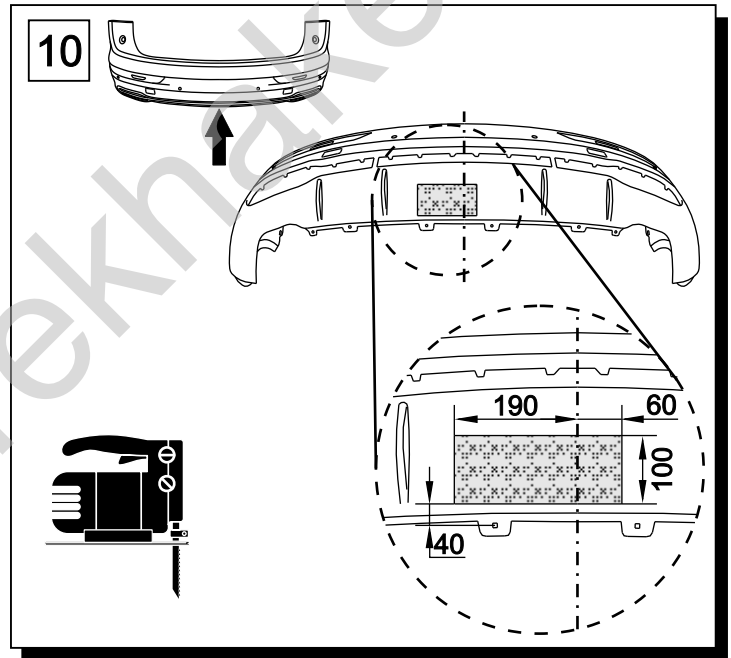
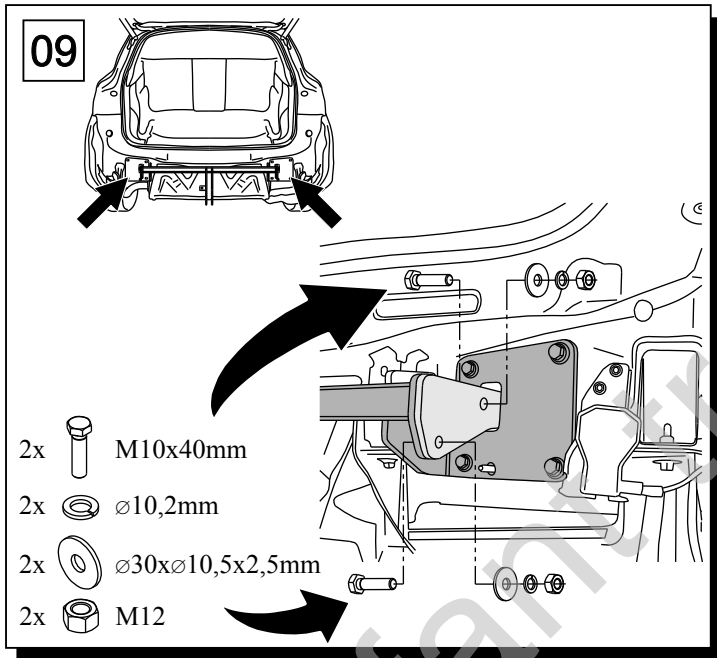
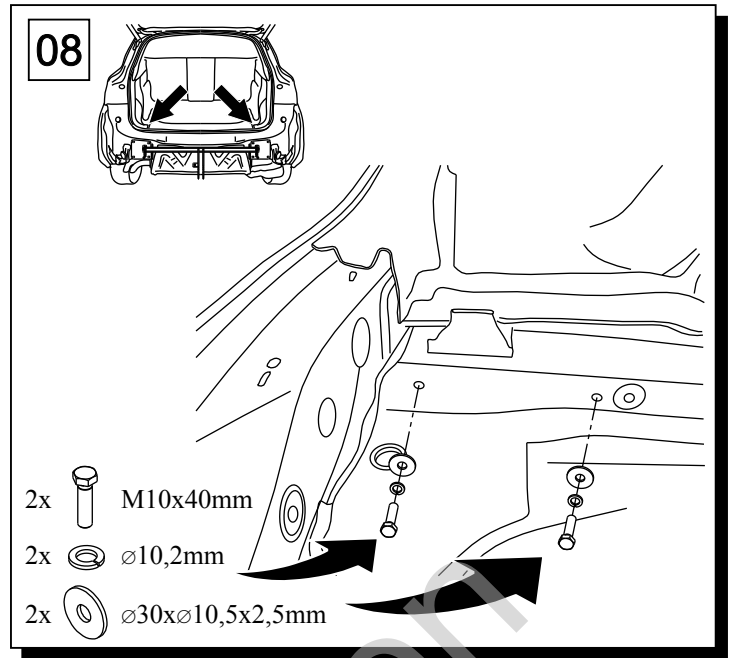
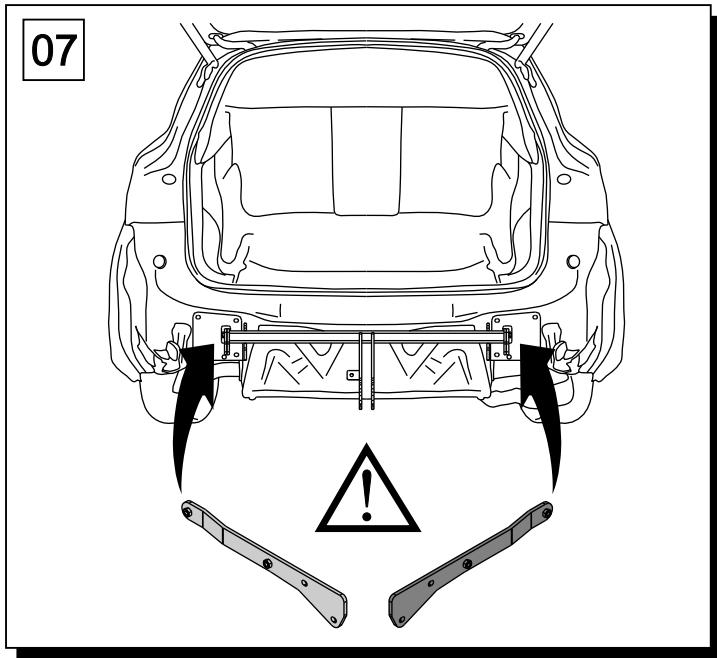


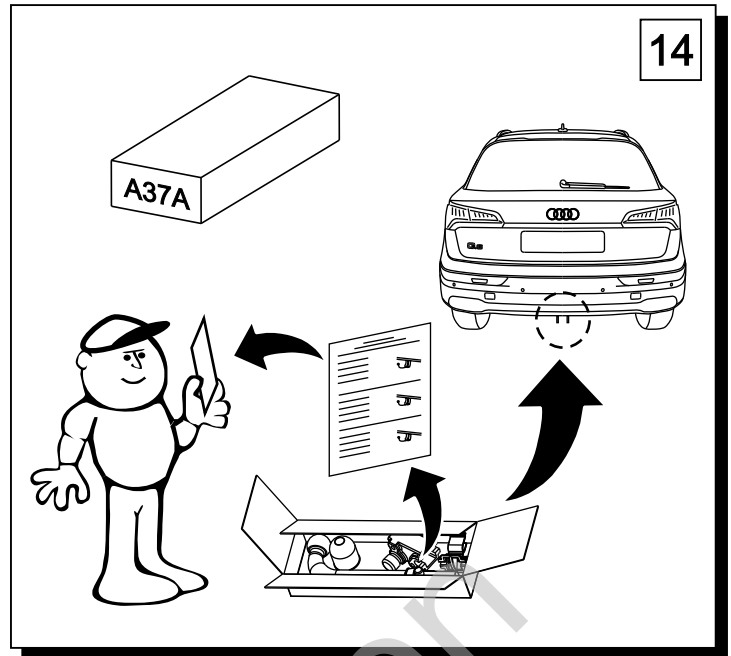
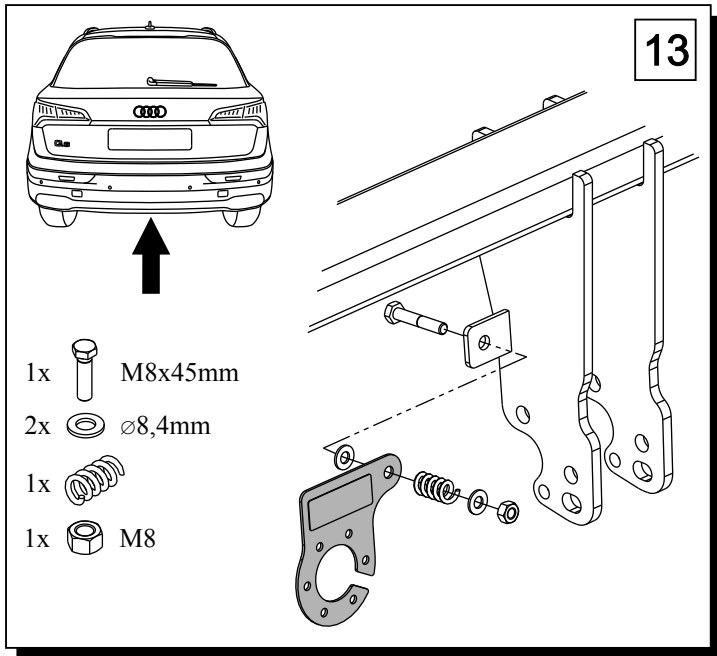
1000 km



	x1		6	M10x40	x8
			7	M8x45	x1
			8	∅ 30x∅10.5x2.5	x8
				10 (DIN 9021)	
	x1		10	∅ 10.2	x8
			Art.nr-KL1A37A		11
	x1		12		M8
			Art.nr-BL1A37A	13	
	x1				
	x1				







Olifant trekhaker