

# AUTO-HAK Sp. z o.o.

ul. Słoneczna 16K 76-200 SŁUPSK  
POLAND

tel/fax +48 59 8 414 414; +48 59 8 414 413

e-mail: [office@autohak.com.pl](mailto:office@autohak.com.pl)

[www.autohak.com.pl](http://www.autohak.com.pl)



# AUTO-HAK



**AUDI Q3  
+ S-line**

Cat. no:

**A31A**



**10.2011 → 11.2018**



**E20-55R-01 4463**



**1,5h**



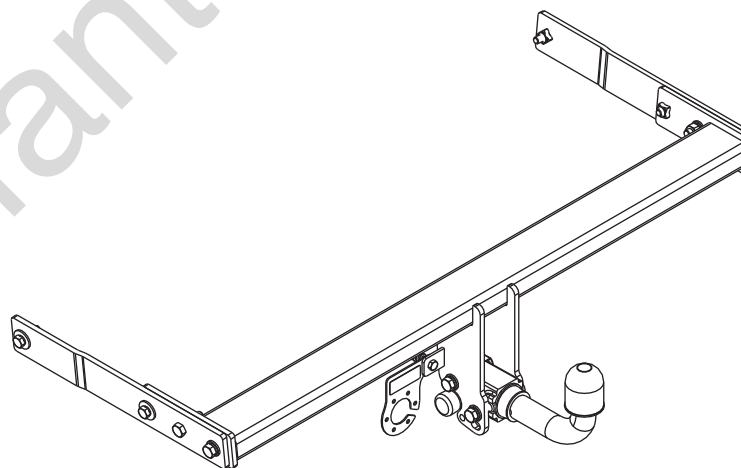
**12,6 kN**



**R=2500 kg**



**S=140 kg**



**M6 - 11 Nm  
M10 - 50 Nm  
M14 - 138 Nm**

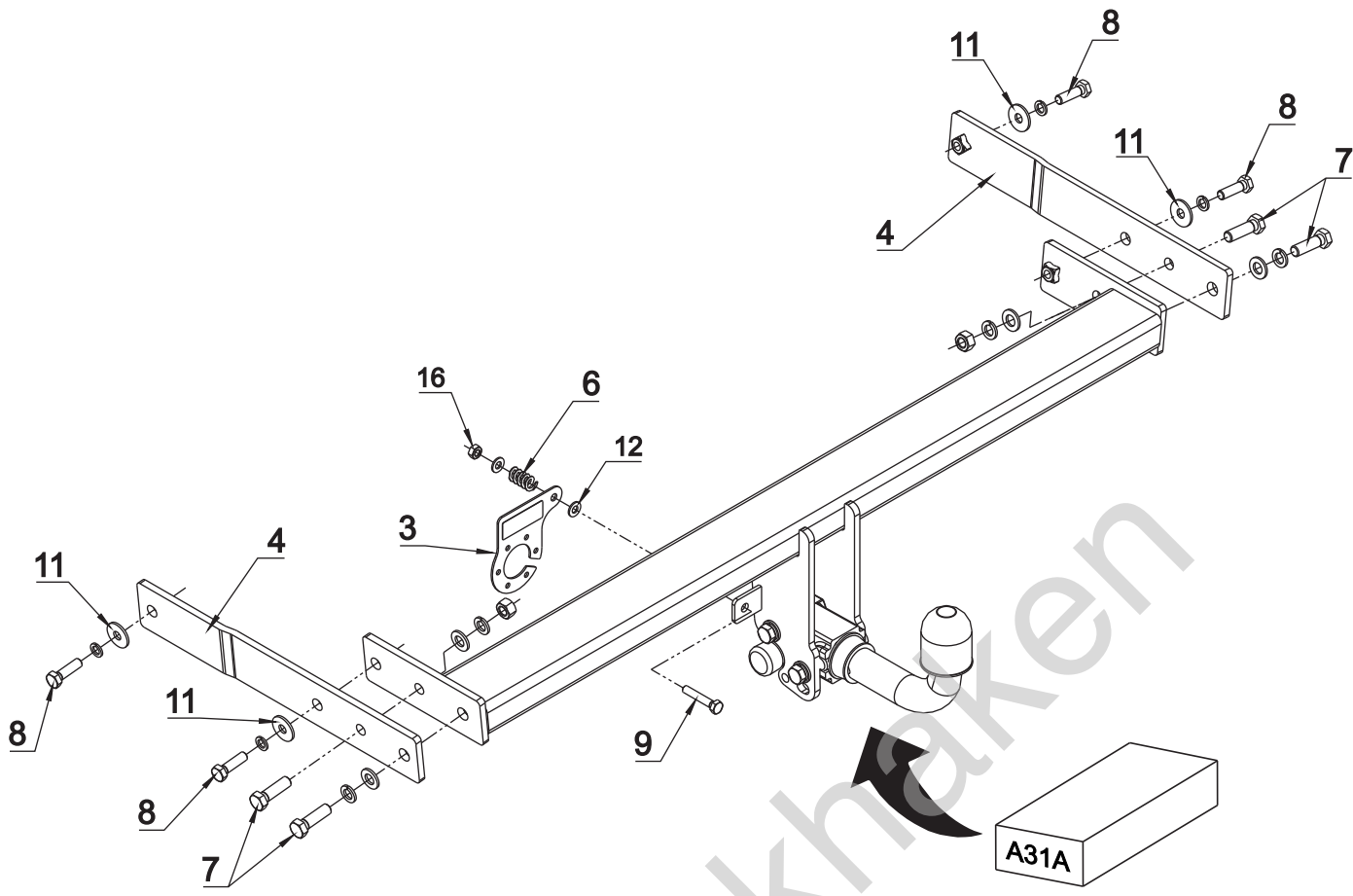
**M8 - 25 Nm  
M12 - 87 Nm  
M16 - 210 Nm**

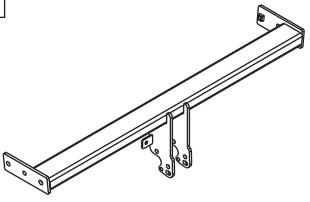

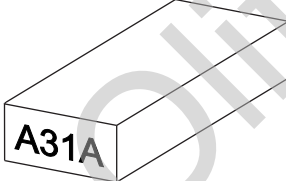

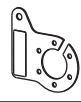

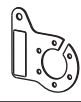
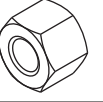
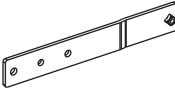

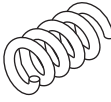


**0 km →**



**1000 km**



1		x1		7	M12x40	x4
2		x1		8	M10x35	x4
				9	M8x45	x1
				10	∅ 13	x4
				11	∅ 30x∅10.5x2.5 10 (DIN 9021)	x4
3		x1		12	∅ 8.4	x2
				13	∅ 12.2	x4
				14	∅ 10.2	x4
3		x1		15	M12	x2
				16	M8	x1
4		x2				
5		x1				
6		x1				

