

AUTO-HAK Sp. z o.o.

ul. Słoneczna 16K 76-200 SŁUPSK
POLAND

tel/fax +48 59 8 414 414; +48 59 8 414 413

e-mail: office@autohak.com.pl

www.autohak.com.pl



AUTO-HAK



AUDI A6

4 D., Quattro (4B, C5), ~~RS6~~



04.1997 → 04.2004

AUDI A6 Avant,

Kombi, Quattro (4B, C5), ~~RS6~~



04.1998 → 02.2005

Cat. no:

A19A



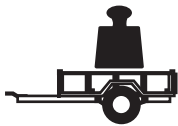
2,5h

e20

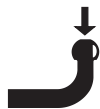
e20*94/20*0790*00

D

10,86 kN



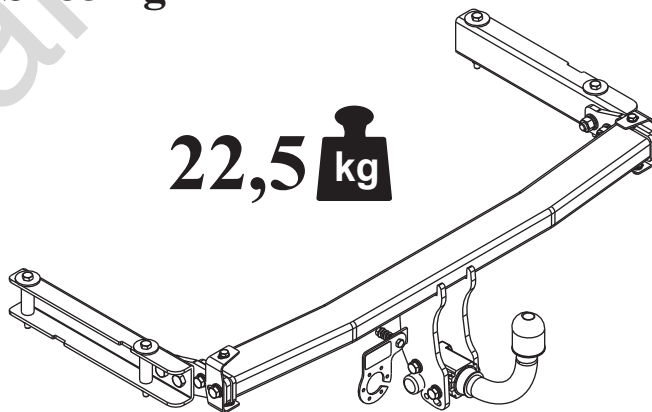
R=2055 kg



S=85 kg



22,5 kg



M6 - 11 Nm
M10 - 50 Nm
M14 - 138 Nm

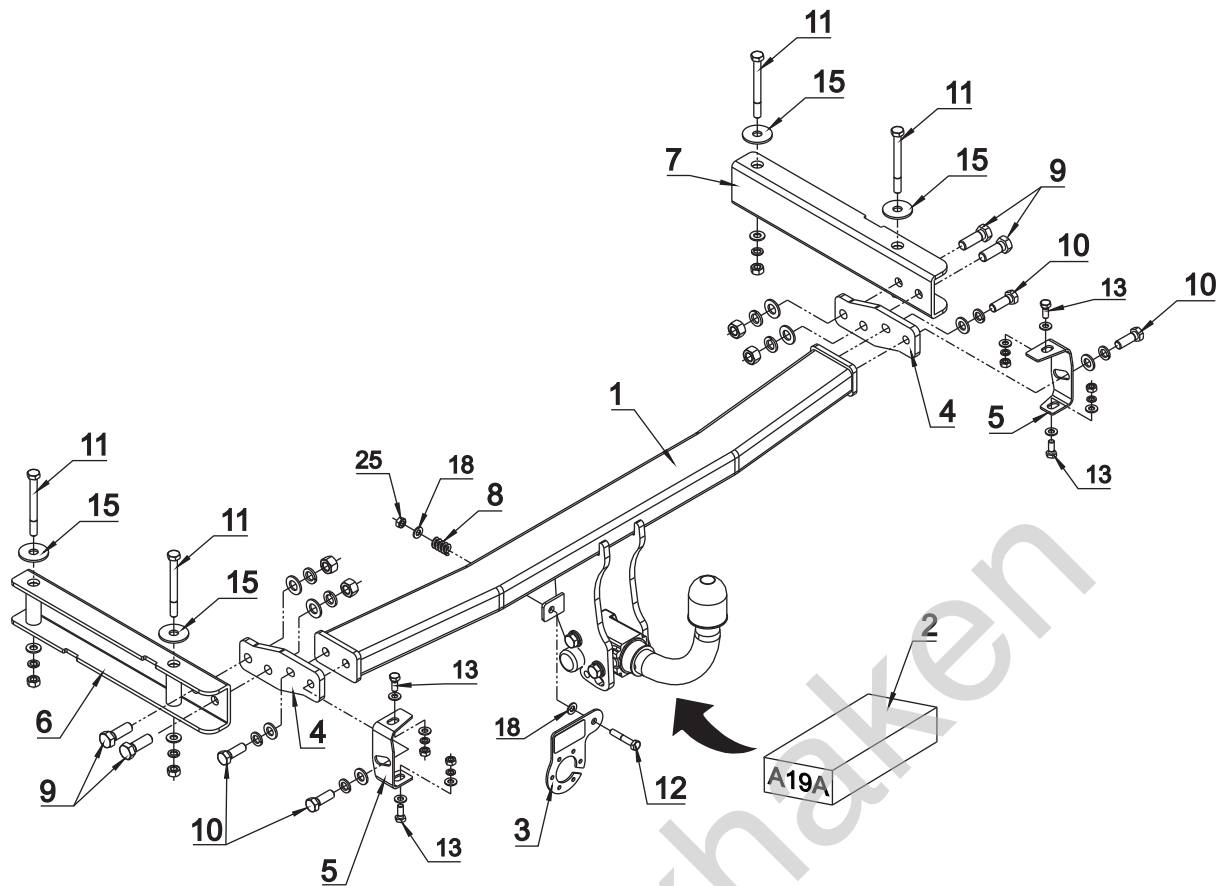
M8 - 25 Nm
M12 - 87 Nm
M16 - 210 Nm

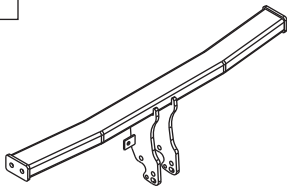

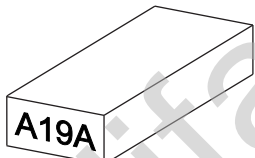



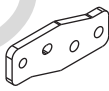



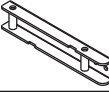

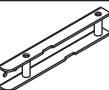



0 km →



1000 km



	x1		9	M14x40	x4
			10	M12x35	x4
			11	M10x100	x4
			12	M8x45	x1
			13	M8x20	x4
 Art.nr-KL1A19A	x1		14	∅ 15	x4
			15	∅ 37x∅13x3 13 (DIN 9021)	x4
			16	∅ 13	x4
 Art.nr-BL1A19A	x1		17	∅ 10.5	x4
			18	∅ 8.4	x10
	x2		19	∅ 14.2	x4
			20	∅ 12.2	x8
	x2		21	∅ 10.2	x4
			22	∅ 8.2	x4
	x1		23	M14	x4
			24	M10	x4
	x1		25	M8	x5
	x1				

