

AUTO-HAK Sp. z o.o.

ul. Słoneczna 16K 76-200 SŁUPSK
POLAND

tel/fax +48 59 8 414 414; +48 59 8 414 413

e-mail: office@autohak.com.pl

www.autohak.com.pl



AUTO-HAK

TOYOTA C-HR 5D

HYBRID

10.2016 → 10.2019
11.2019 → 08.2023
09.2023 →

E20-55R-01 4997

D 8,70 kN

R=1500 kg

S=80 kg

Nr kat.
O94V

2h

10.2016 → 08.2023
09.2023 →

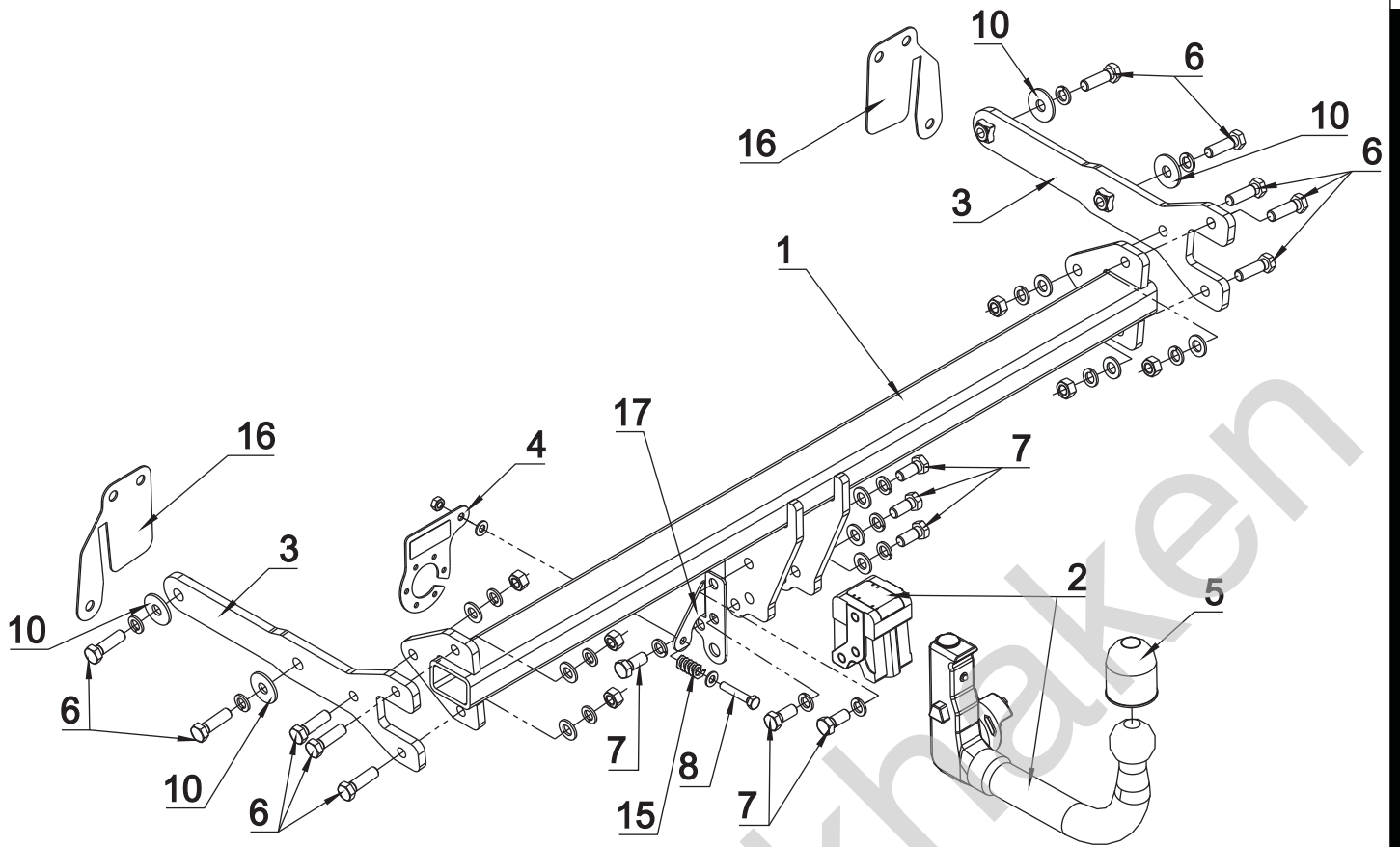
20,8 kg

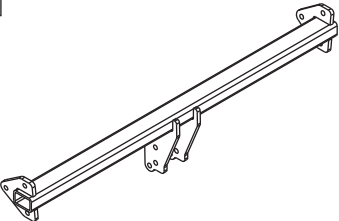









FULL VERSION INSTRUCTION

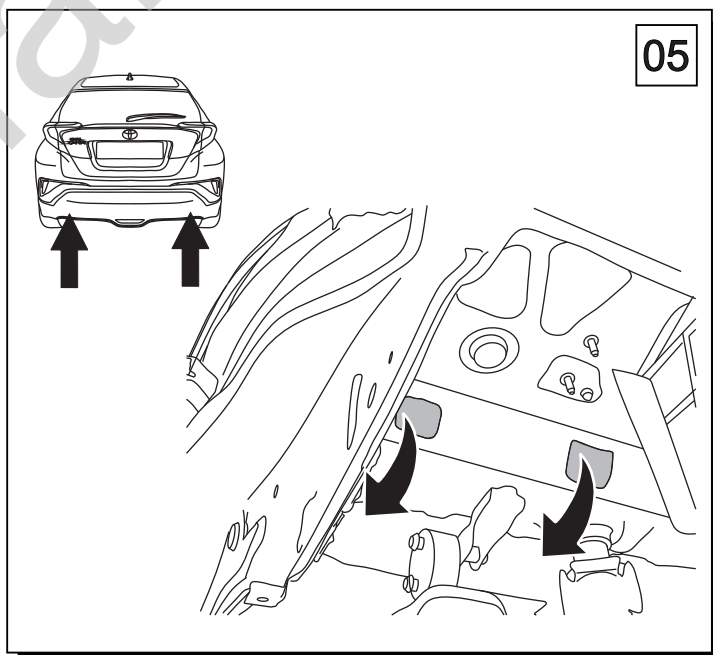
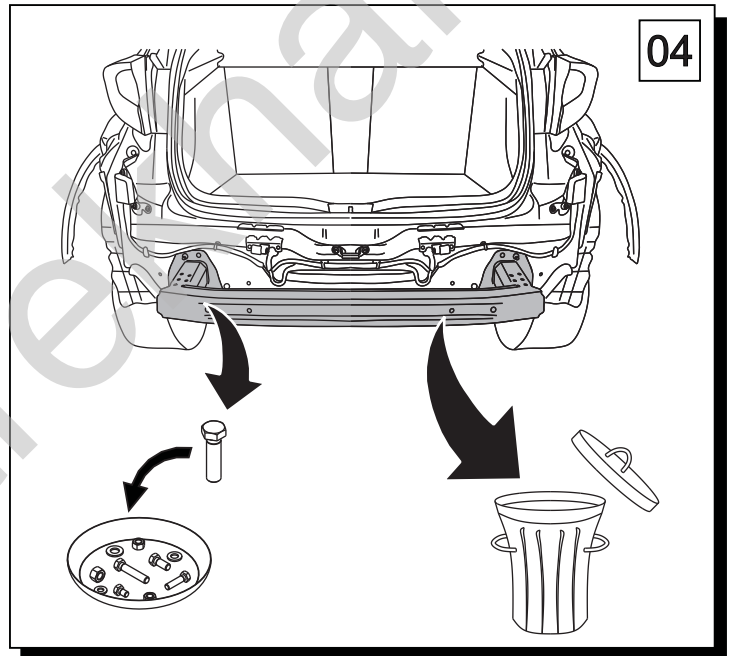
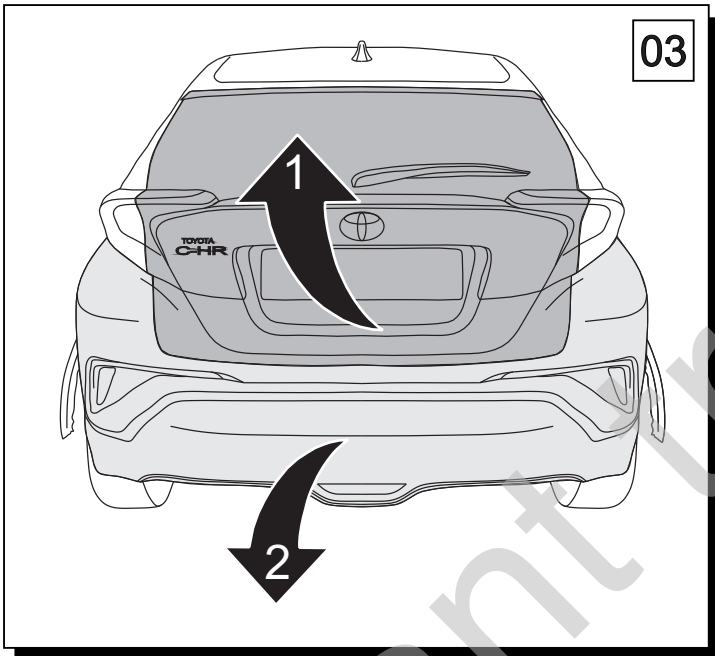
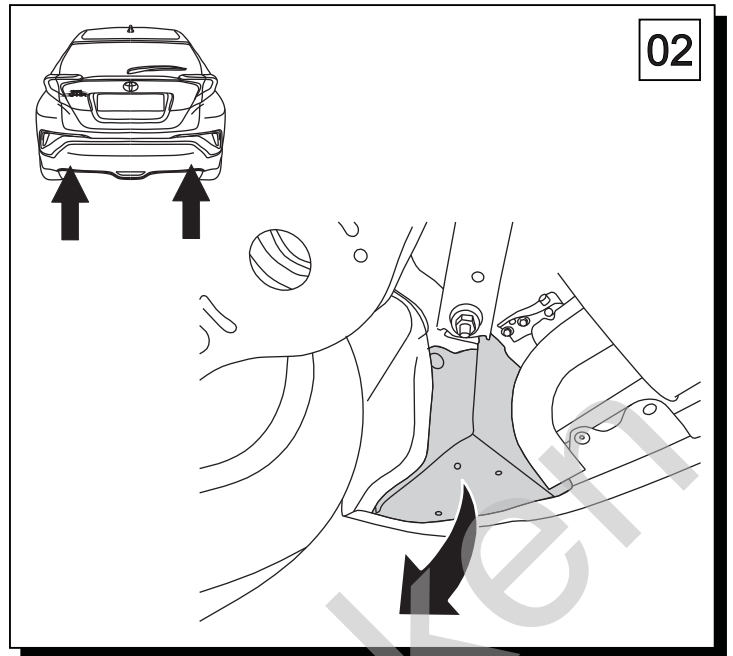
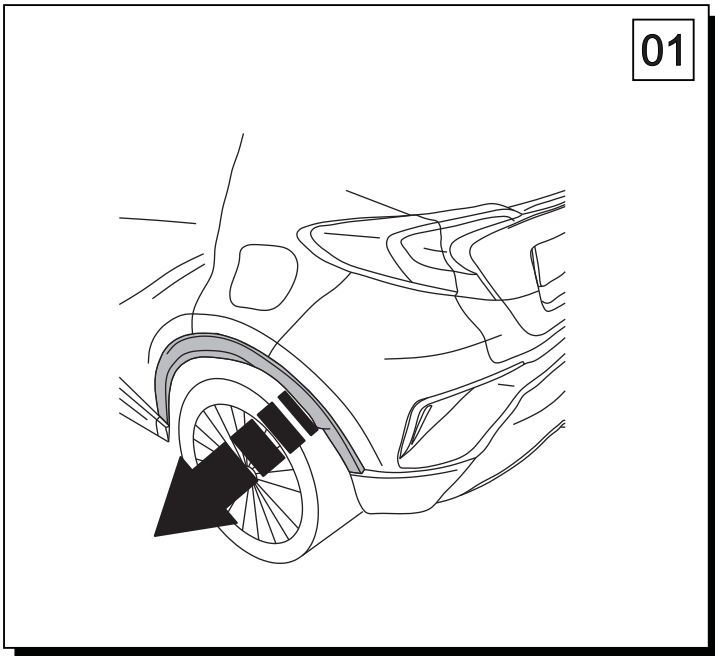


śruba	Nm	M6	M8	M10	M12	M14	M16
klasa 8.8		9,9	24	48	83	132	200
klasa 10.9		14	34	67	117	185	285

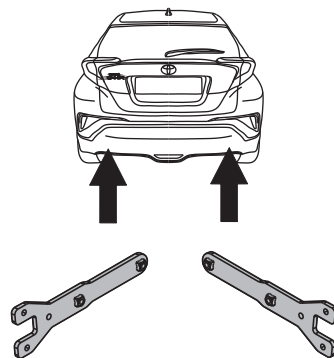
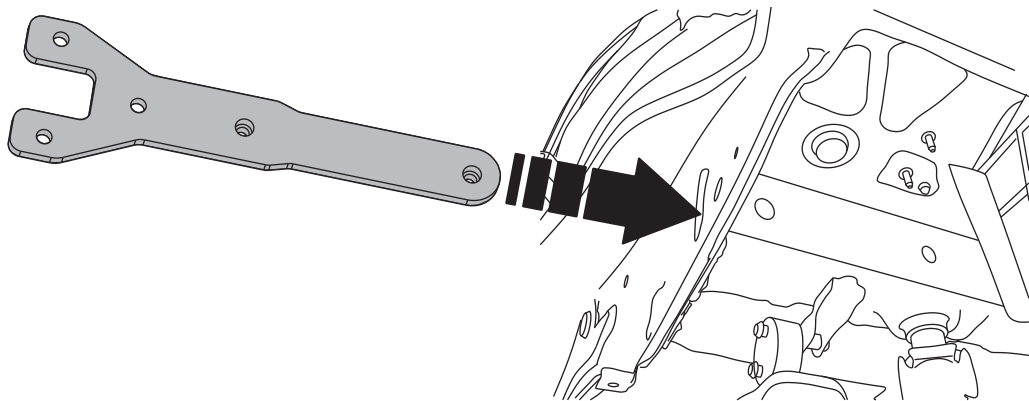
0 km → **1000 km**






	x 1		6	M12x40	x 10
			7	M12x28	x 6
			8	M8x45	x 1
			9	∅ 13	x 9
	x 1		10	∅ 37x∅13x3 13 DIN 9021	x 4
			11	∅ 8	x 2
			12	∅ 12.2	x 16
	x 2		13	M12	x 6
			14	M8	x 1
	x 1		15		x 1
			16		x 2
	x 1		17		x 1

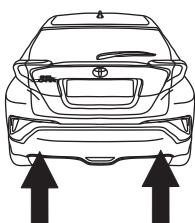
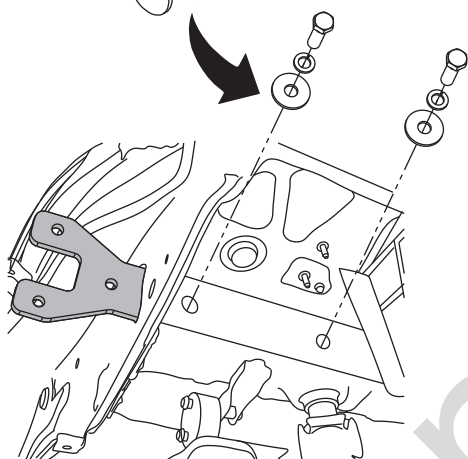


06

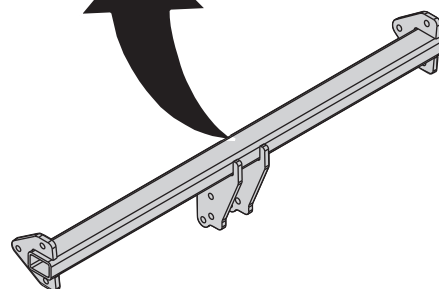
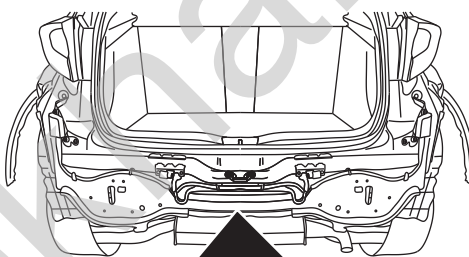


07

- 2x  M12x40mm
- 2x  $\varnothing 12,2\text{mm}$
- 2x  $\varnothing 37\text{x}\varnothing 13\text{x}3\text{mm}$

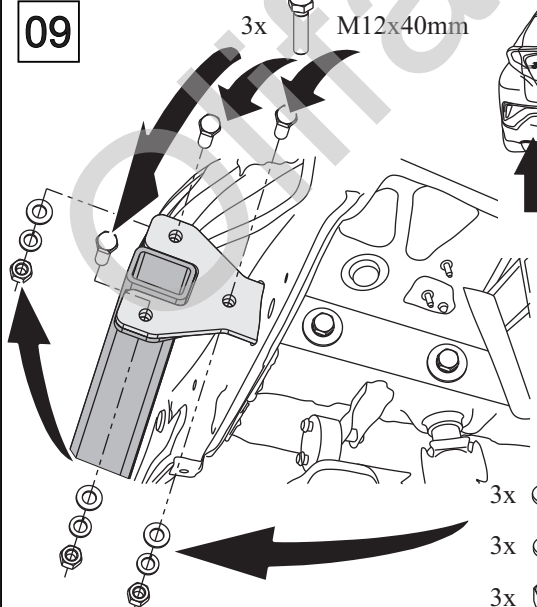




08

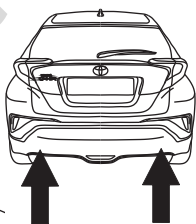


09

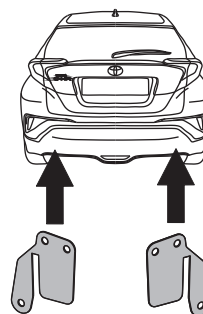
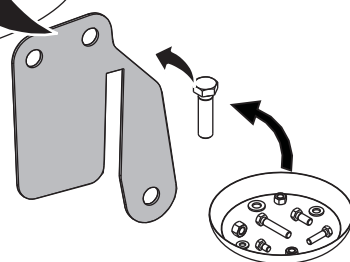
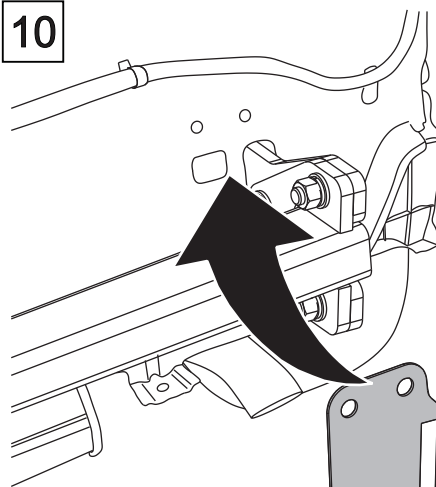
- 3x  M12x40mm

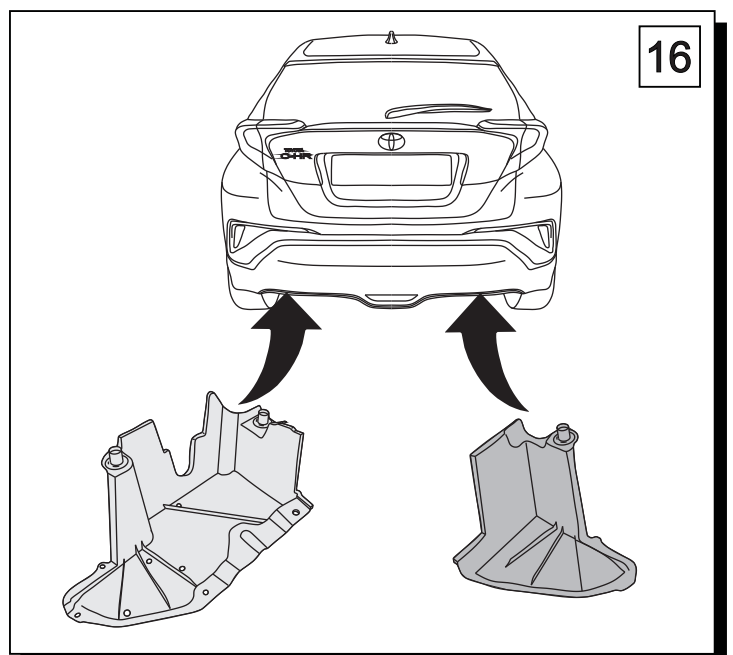
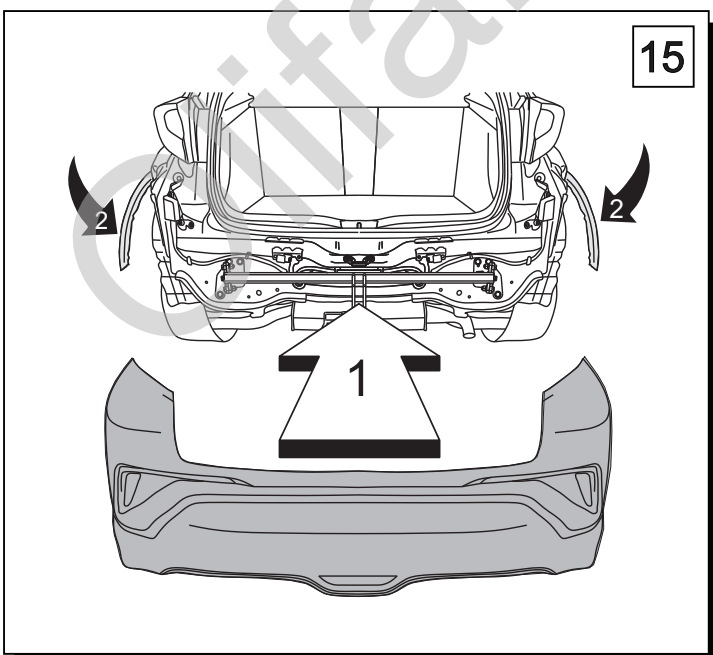
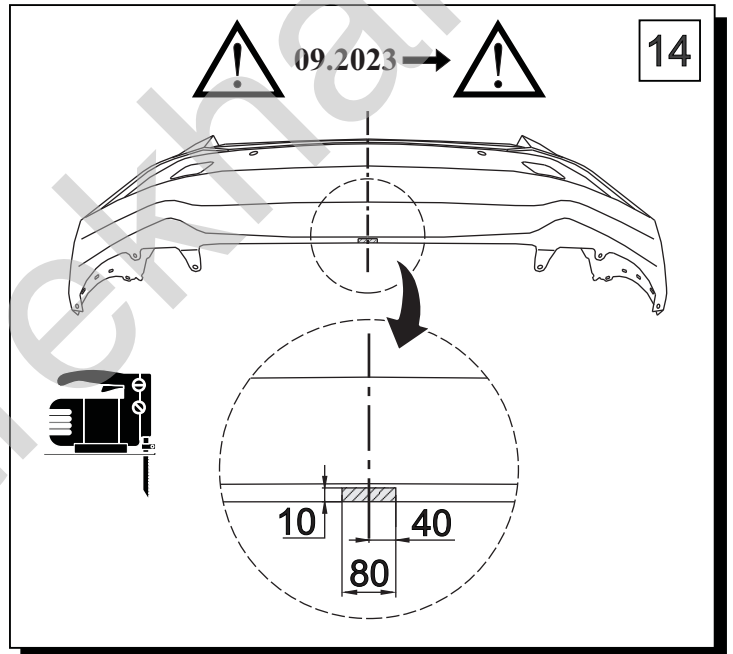
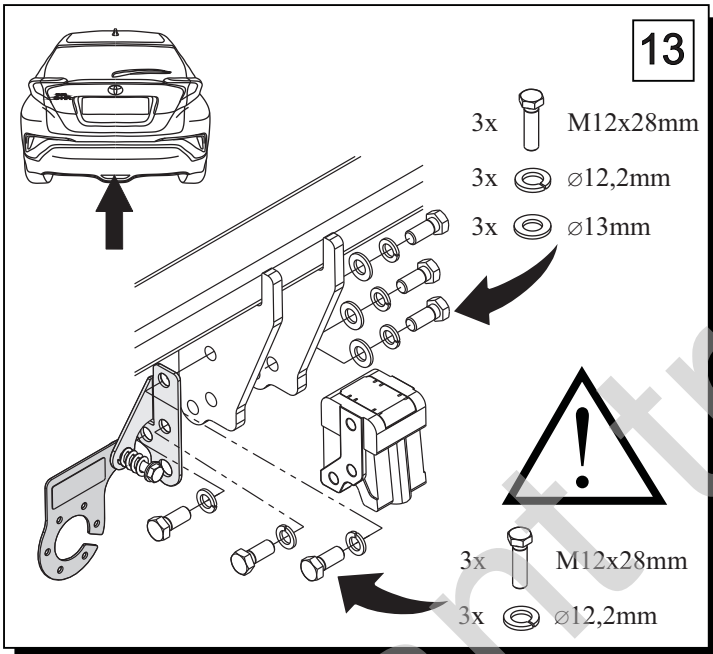
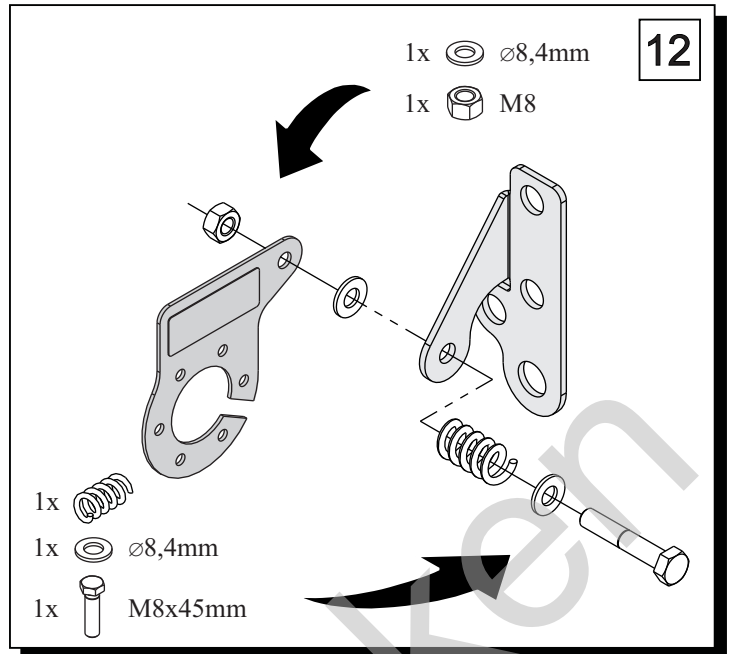
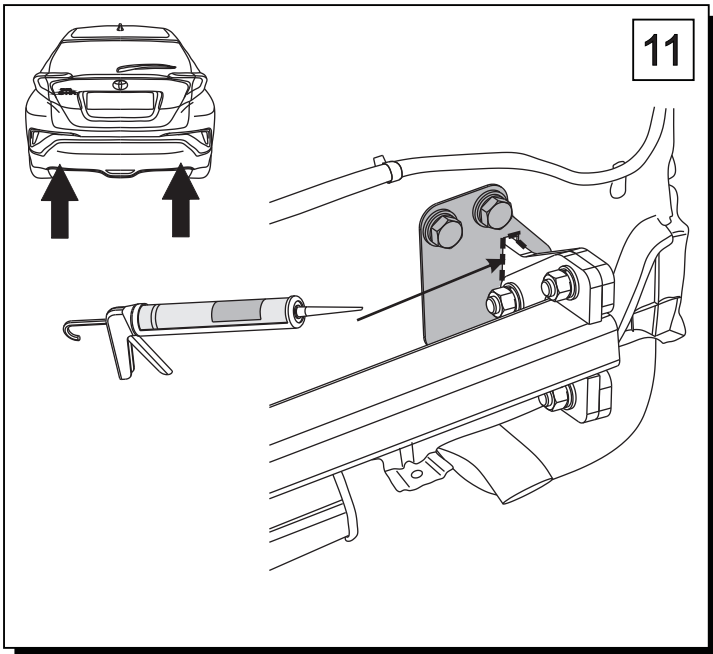


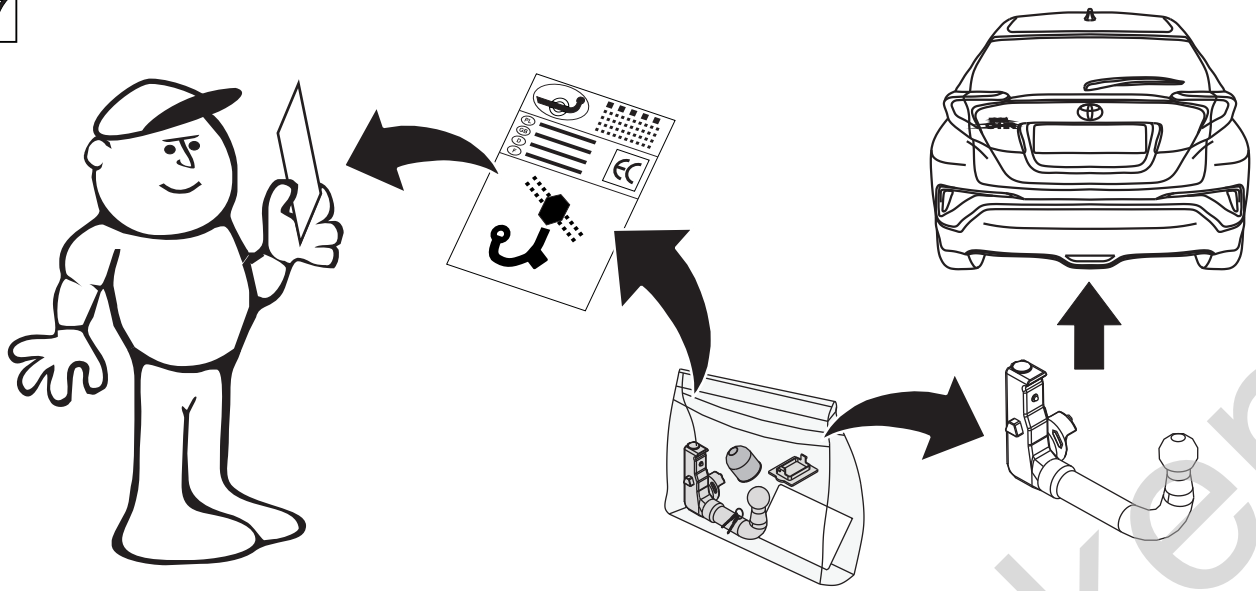
- 3x  $\varnothing 13\text{mm}$
- 3x  $\varnothing 12,2\text{mm}$
- 3x  M12



10







Olifant trekhaken