

AUTO-HAK Sp. z o.o.

ul. Słoneczna 16K 76-200 SŁUPSK
POLAND

tel/fax +48 59 8 414 414; +48 59 8 414 413

e-mail: office@autohak.com.pl

www.autohak.com.pl



AUTO-HAK

TOYOTA C-HR 5D

HYBRID

10.2016 → 10.2019
11.2019 → 08.2023
09.2023 →

E20-55R-01 4996

D 8,70 kN

R=1500 kg

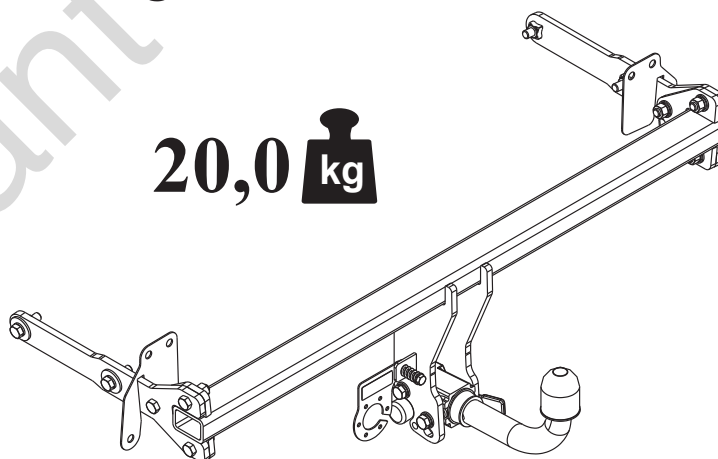
S=80 kg

Nr kat.

O94A

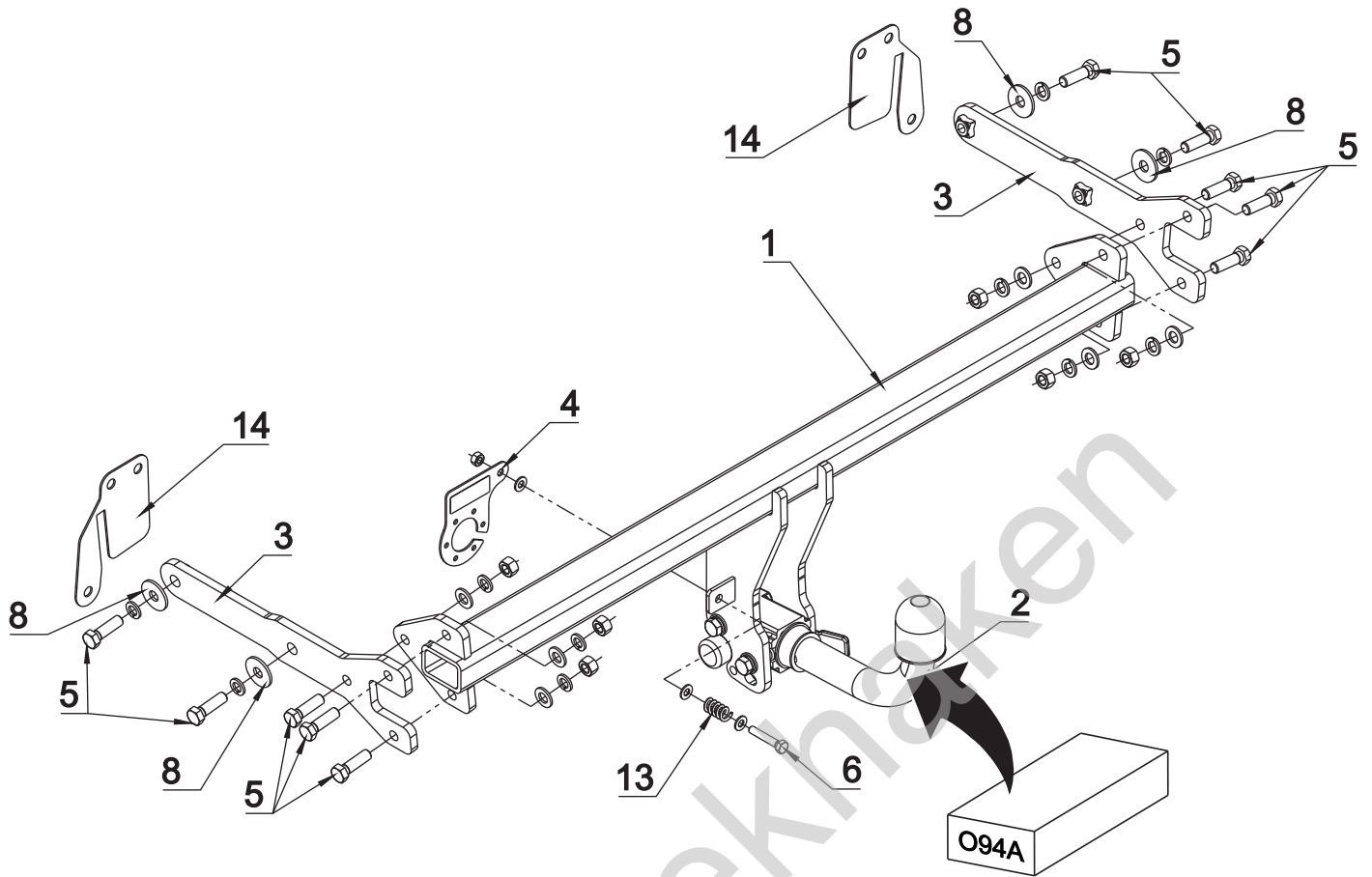
2h

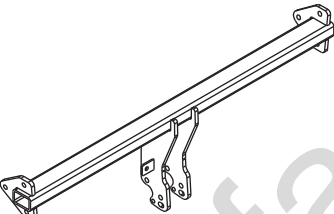
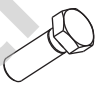



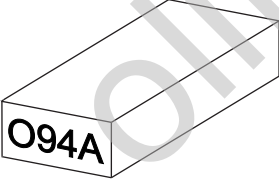
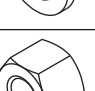

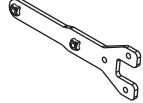

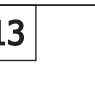
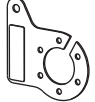
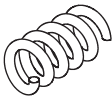

20,0 kg

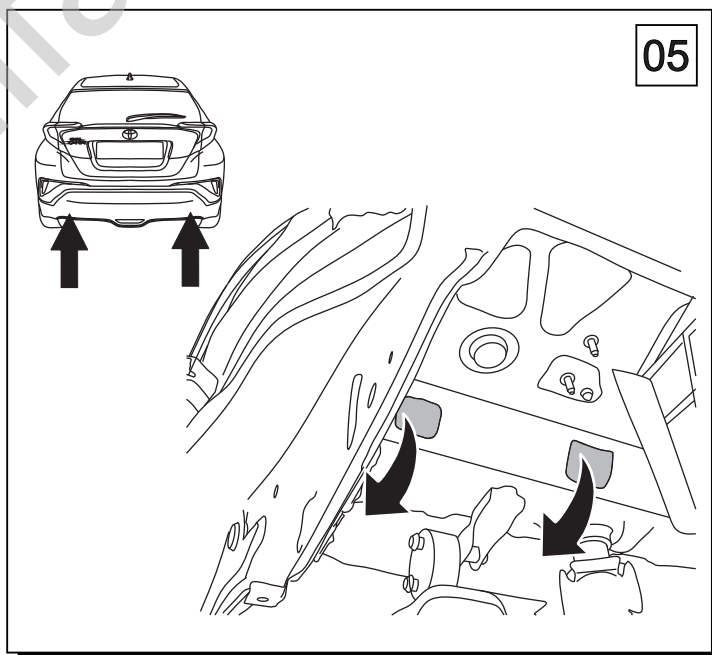
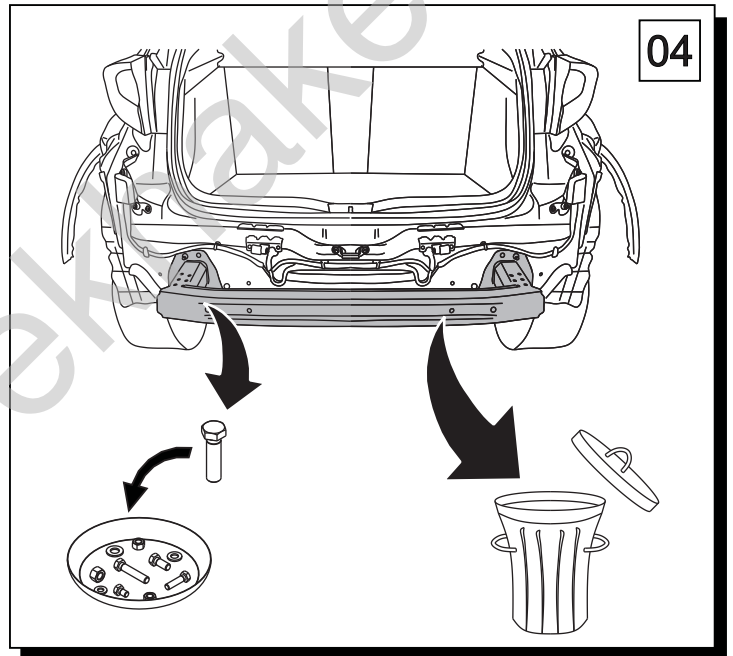
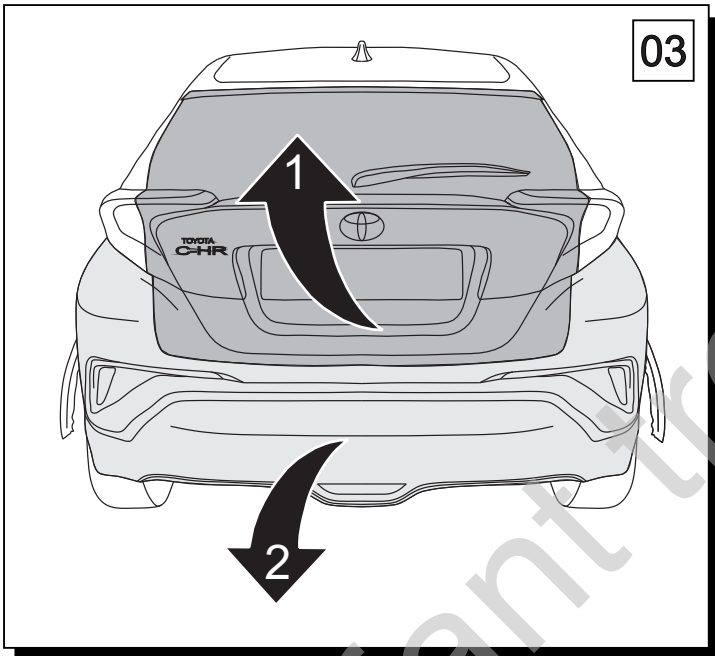
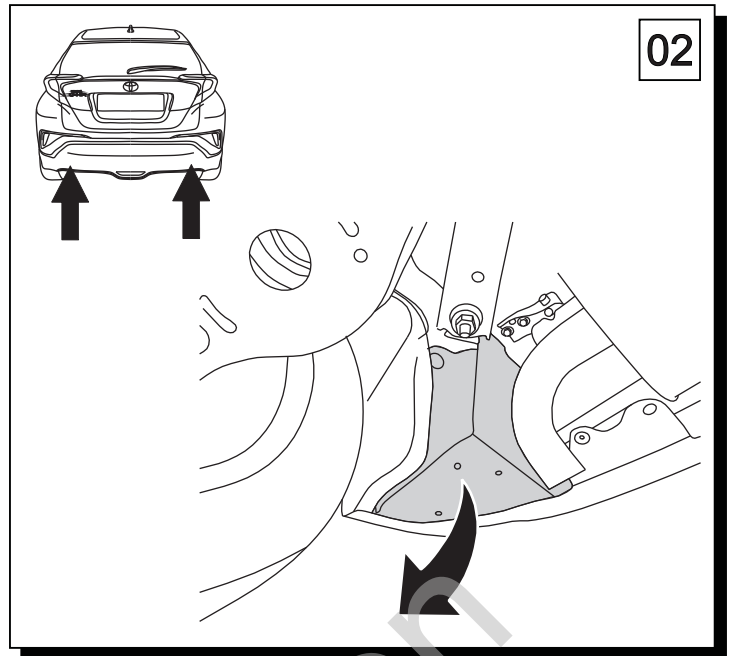
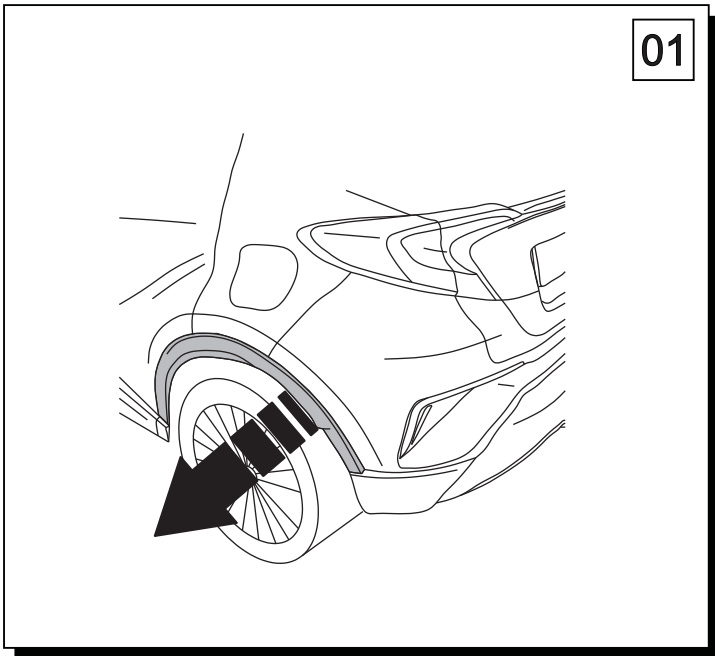


śruba Nm	M6	M8	M10	M12	M14	M16
klasa 8.8	9,9	24	48	83	132	200
klasa 10.9	14	34	67	117	185	285

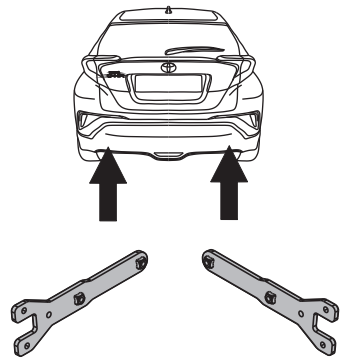
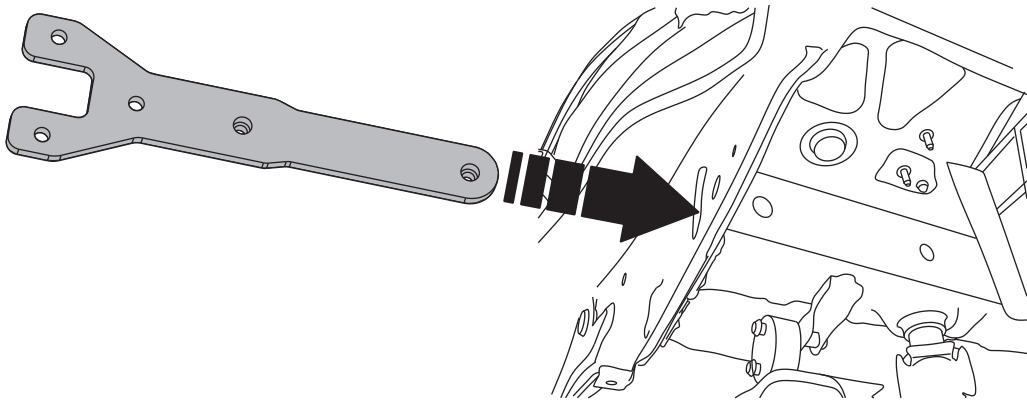
0 km → 1000 km






	x 1		5	M12x40	x 10
			6	M8x50	x 1
			7	∅ 13	x 6
			8	∅ 37x∅13x3 13 DIN 9021	4
	x 1		9	∅ 8	x 3
			10	∅ 12.2	x 10
	x 2		11	M12	x 6
			12	M8	x 1
	x 1		13		x 1
			14		x 2
Art.nr-KL1094A					
Art.nr-BL1094A					

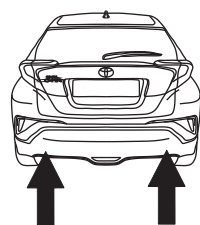
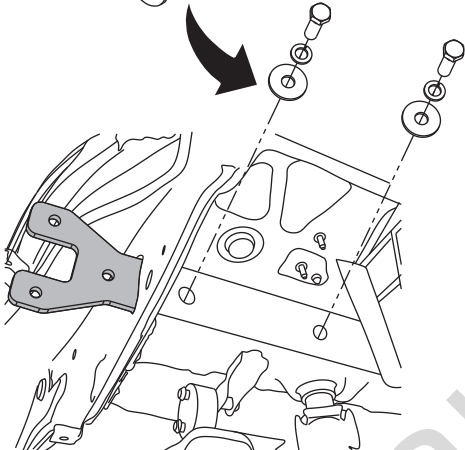


06

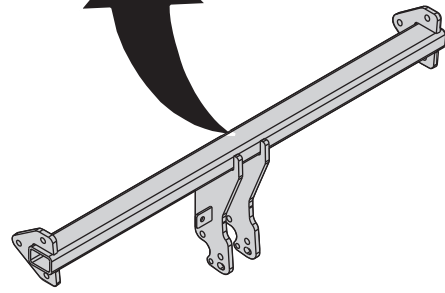
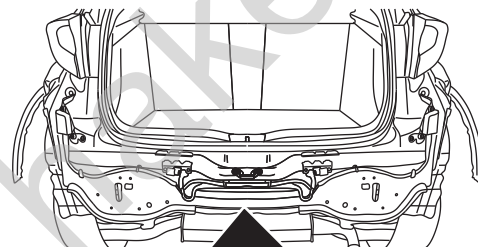


07

- 2x  M12x40mm
- 2x  $\varnothing 12,2\text{mm}$
- 2x  $\varnothing 37 \times \varnothing 13 \times 3\text{mm}$

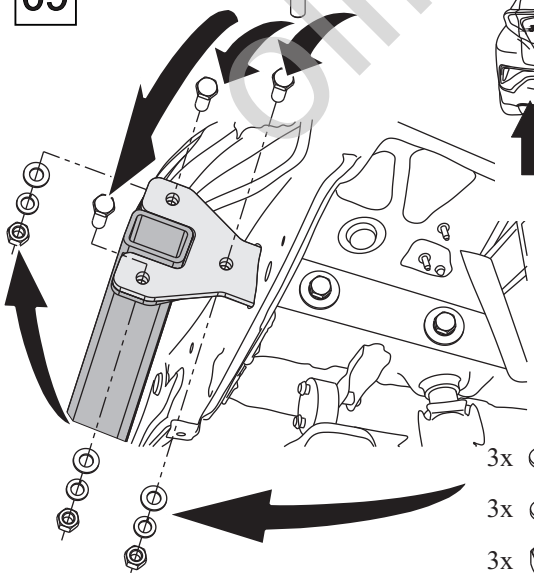





08

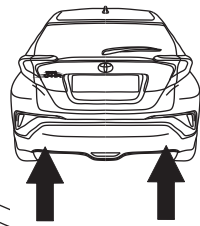


09

- 3x  M12x40mm



- 3x  $\varnothing 13\text{mm}$
- 3x  $\varnothing 12,2\text{mm}$
- 3x  M12



10

