

PPUH AUTO-HAK Sp.J.

Henryk i Zbigniew Nejman
ul. Słoneczna 16K 76-200 SŁUPSK
POLAND

tel/fax +48 59 8 414 414; +48 59 8 414 413

e-mail: office@autohak.com.pl

www.autohak.com.pl



AUTO-HAK



**SKODA
OCTAVIA III SCOUT
KOMBI**

Cat. no:

H26A



02.2013 → 12.2019



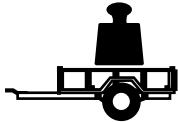
E20-55R-01 4494



9,5 kN



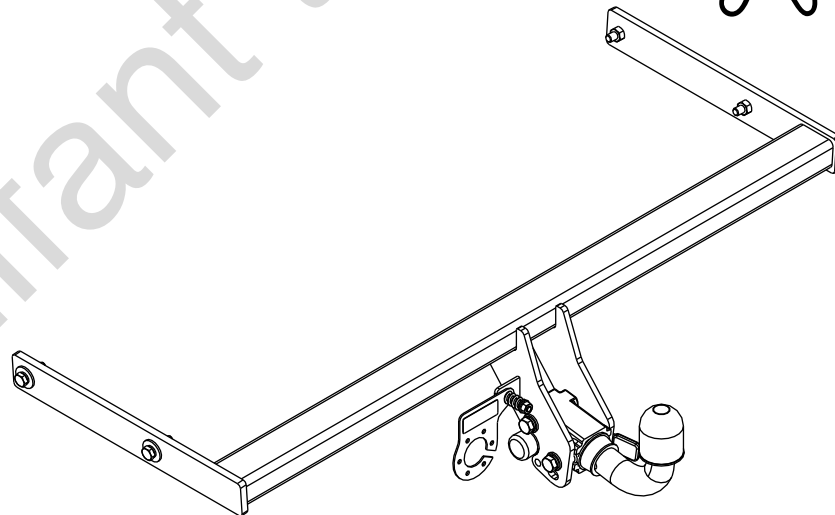
2h



R=1800 kg



S=100 kg



**M6 - 11 Nm
M10 - 50 Nm
M14 - 138 Nm**

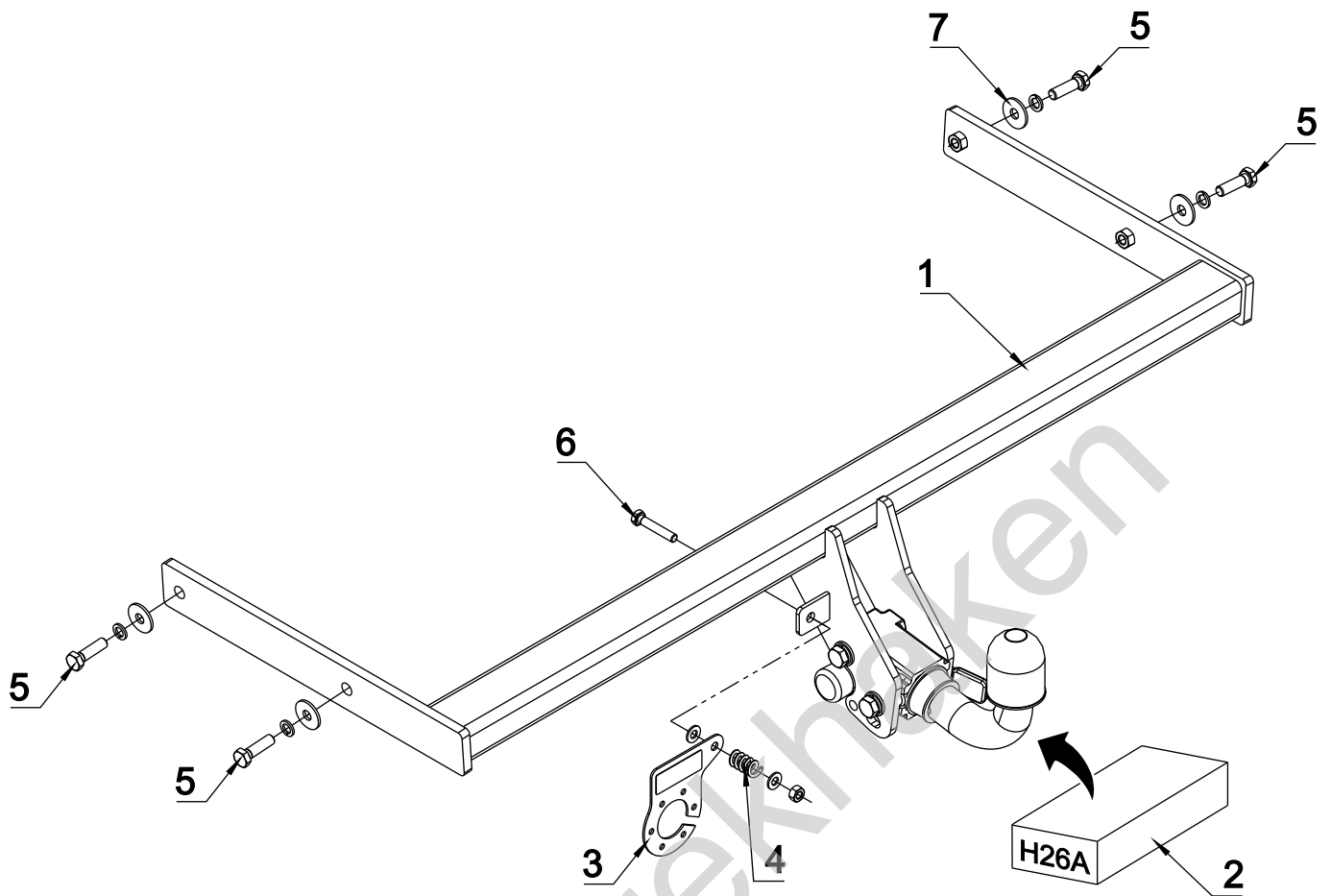
**M8 - 25 Nm
M12 - 87 Nm
M16 - 210 Nm**



0 km →



1000 km



1		x1		5	M10x35	x4
				6	M8x45	x1
				7	∅ 30x∅10.5x2.5 10 DIN 9021	4
				8	∅ 8.4	x2
2		x1		9	∅ 10.2	x4
					10	M8
3		x1				
						Art.nr-KL1H26A
4		x1				Art.nr-BL1H26A

