

AUTO-HAK Sp. z o.o.

ul. Słoneczna 16K 76-200 SŁUPSK
POLAND

tel/fax +48 59 8 414 414; +48 59 8 414 413

e-mail: office@autohak.com.pl

www.autohak.com.pl




AUTO-HAK


RENAULT RAFALE E-Tech Hybrid


Nr kat.
G108A

 2024 →

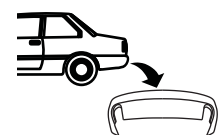
 E20*55R02*6979

D 8,75 kN

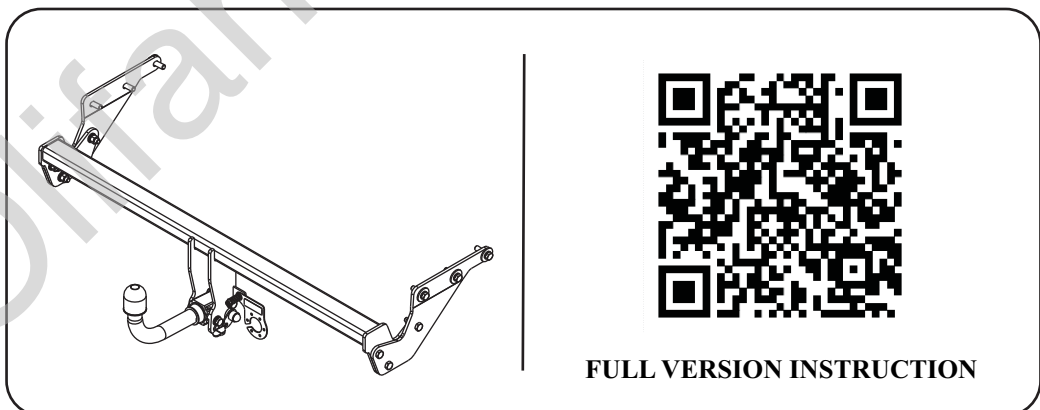
 **R=1500 kg**

 **S=100 kg**

 **2h**







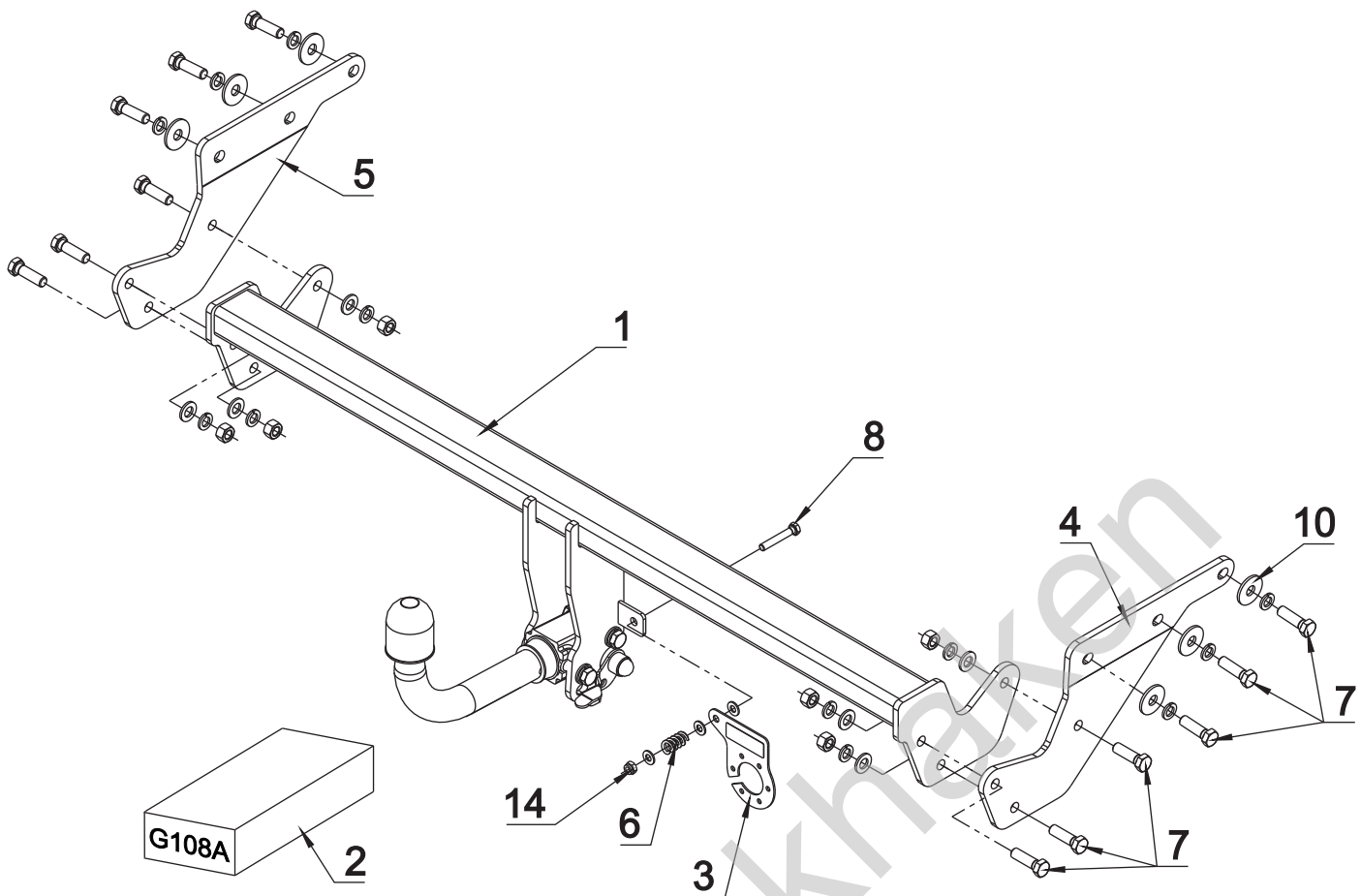


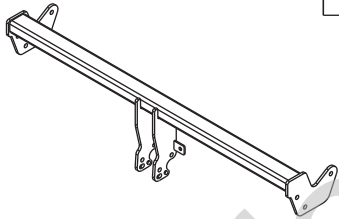

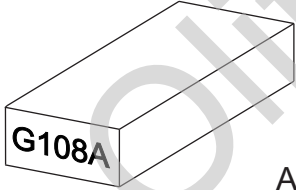



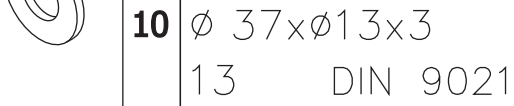

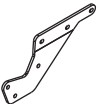

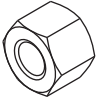


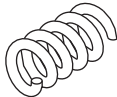
FULL VERSION INSTRUCTION



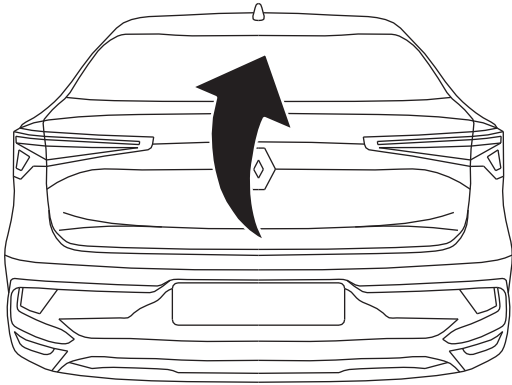
śruba	Nm	M6	M8	M10	M12	M14	M16
klasa 8.8		9,9	24	48	83	132	200
klasa 10.9		14	34	67	117	185	285

 0 km →  1000 km

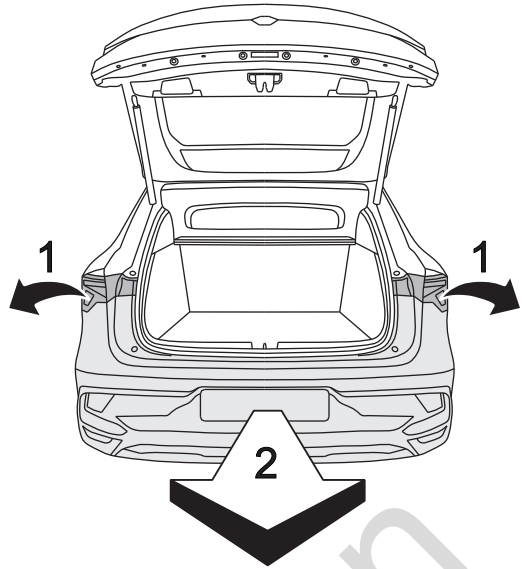


1		x1		7	M12x40	x12
2	 Art.nr-KL1G108A	x1		8	M8x50	x1
				9	ø 13	x6
3	 Art.nr-BL12G108A	x1		10	ø 37xø13x3 13 DIN 9021	6
				11	ø 8.4	x3
4		x1		12	ø 12.2	x12
				13	M12	x6
5		x1		14	M8 (DIN985)	x1
6		x1				

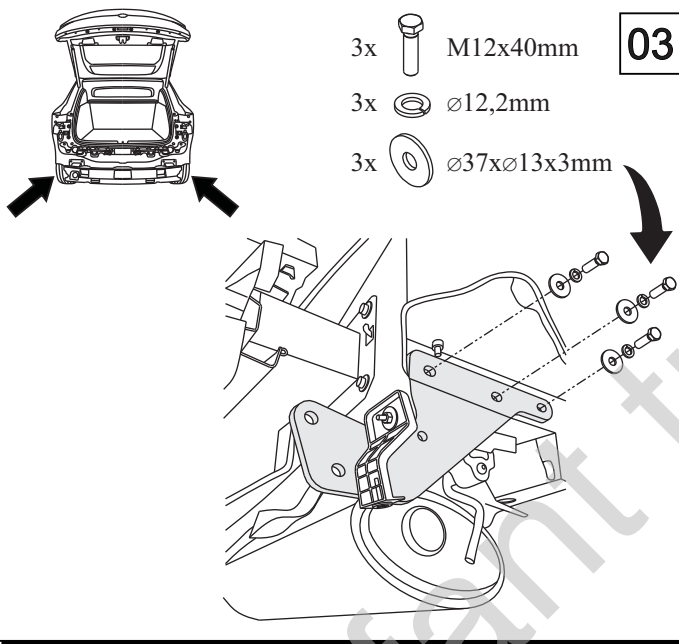
01



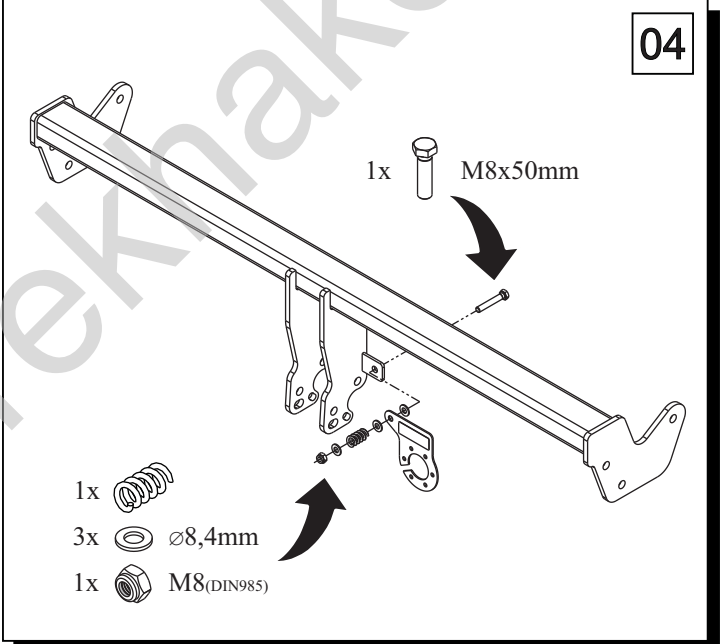
02



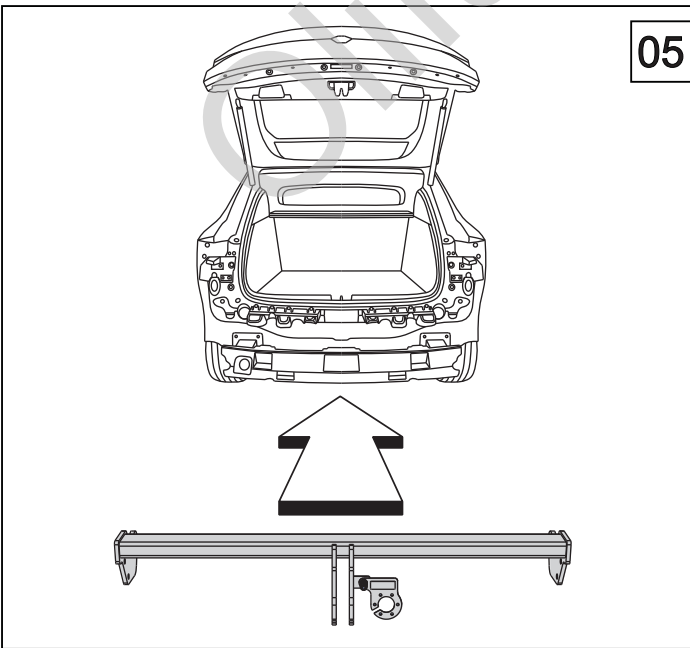
03



04



05



06

