

AUTO-HAK Sp. z o.o.

ul. Słoneczna 16K 76-200 SŁUPSK
POLAND

tel/fax +48 59 8 414 414; +48 59 8 414 413

e-mail: office@autohak.com.pl

www.autohak.com.pl



AUTO-HAK

RENAULT CLIO IV
GRANDTOUR
KOMBI, ~~GT~~

Nr kat.

G76



03.2013 → 07.2016

08.2016 →



E20-55R-01 3365



2h

D

7,69 kN



—



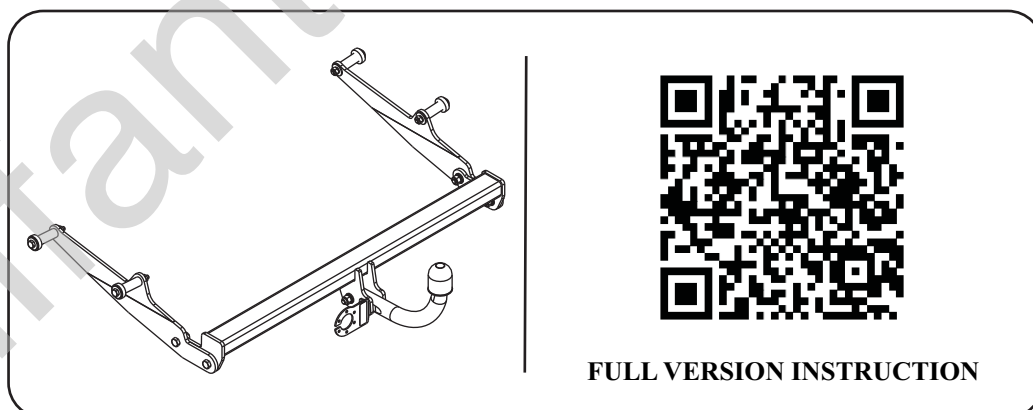
R=1200 kg



—



S=75 kg



FULL VERSION INSTRUCTION



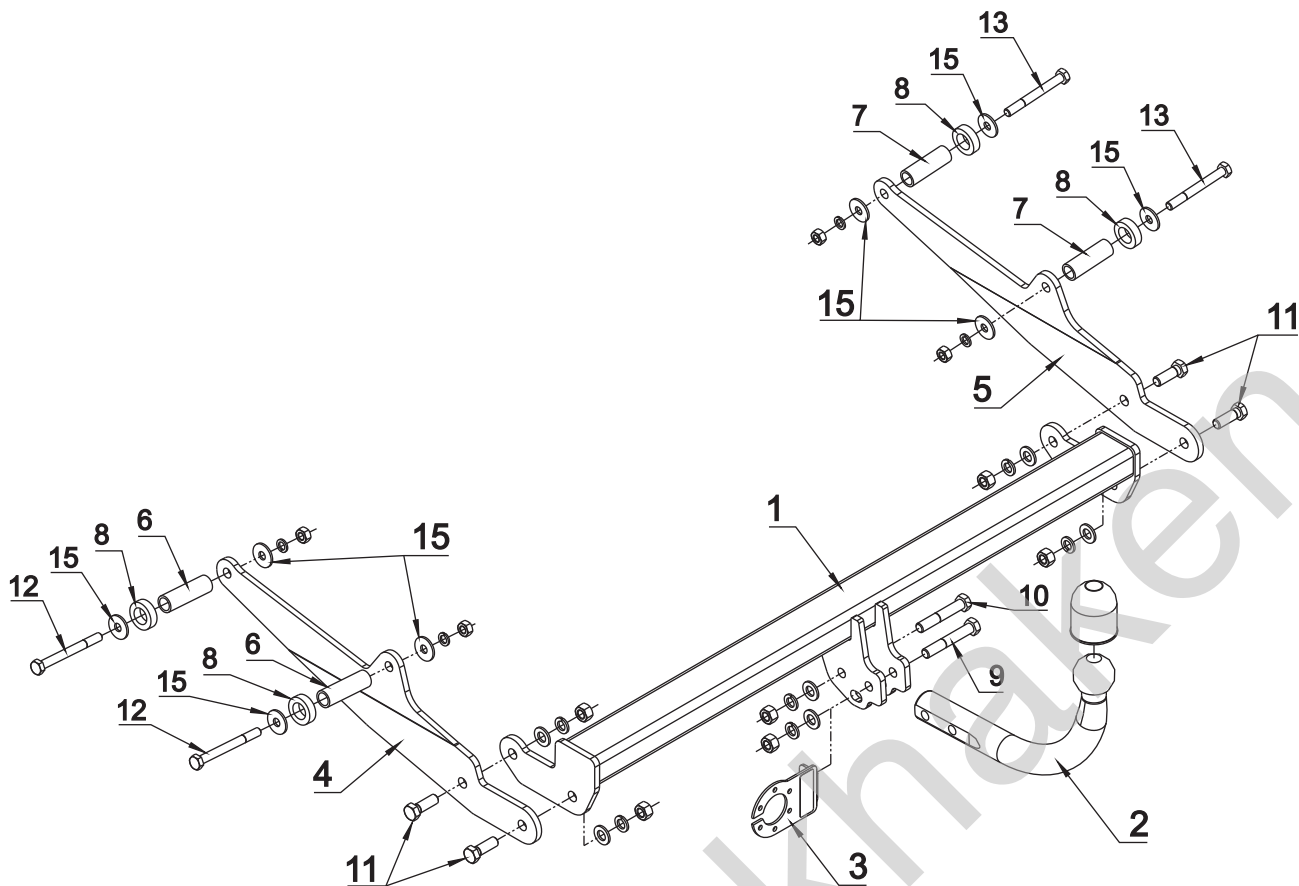
śruba	Nm	M6	M8	M10	M12	M14	M16
klasa 8.8		9,9	24	48	83	132	200
klasa 10.9		14	34	67	117	185	285

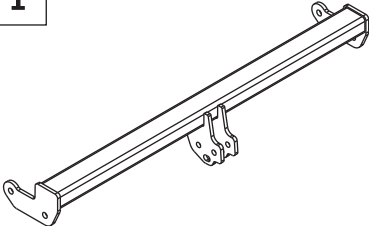



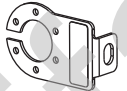

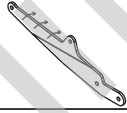

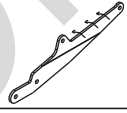



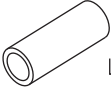
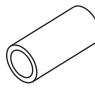



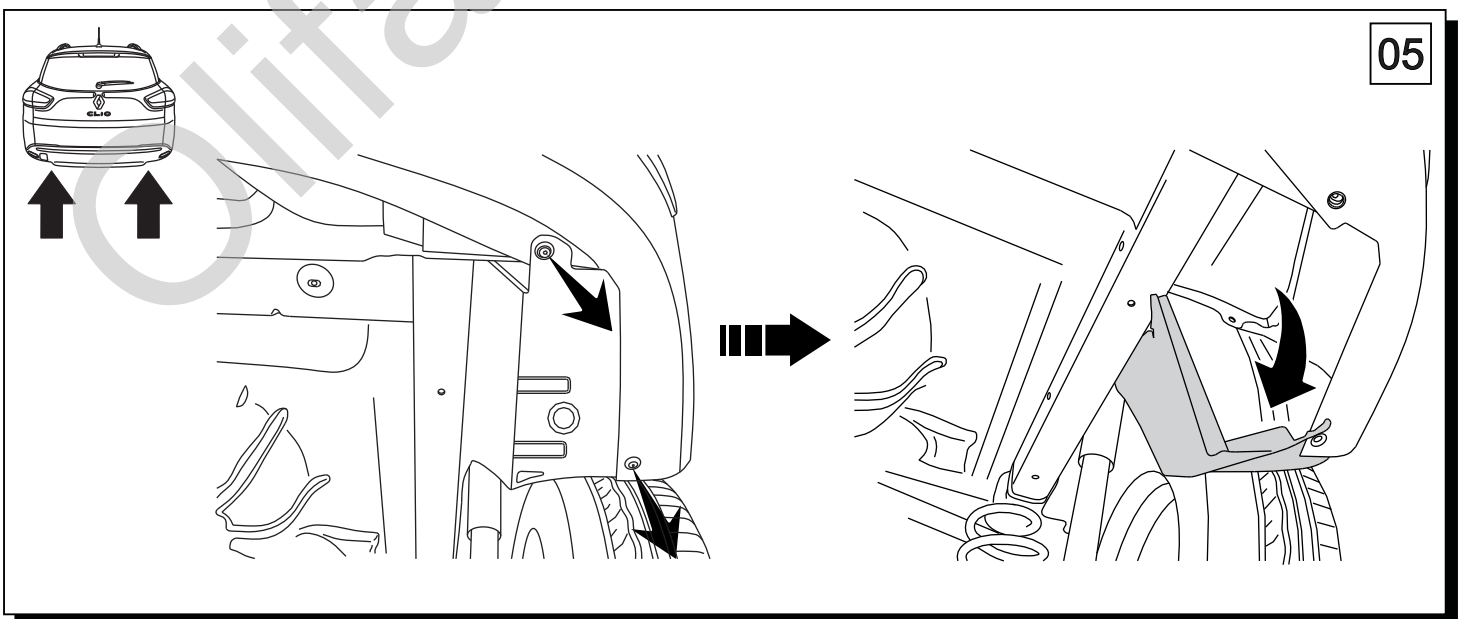
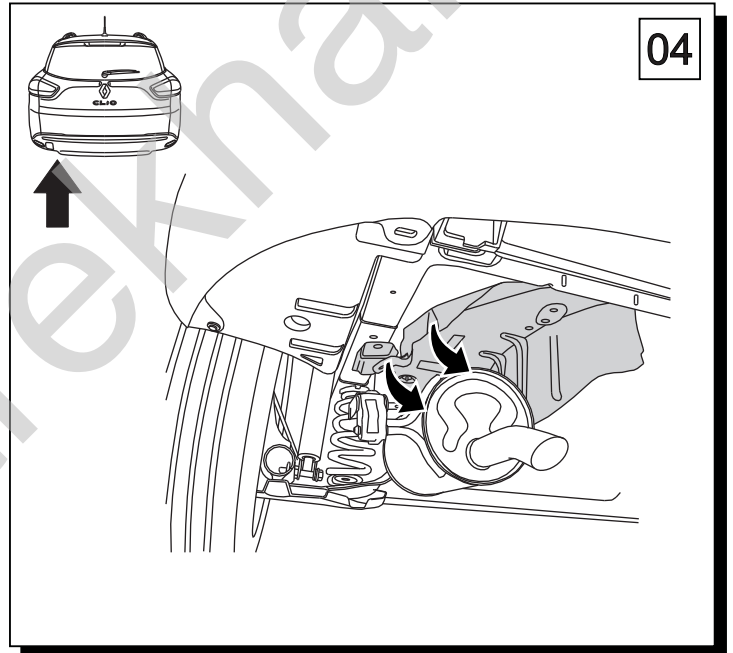
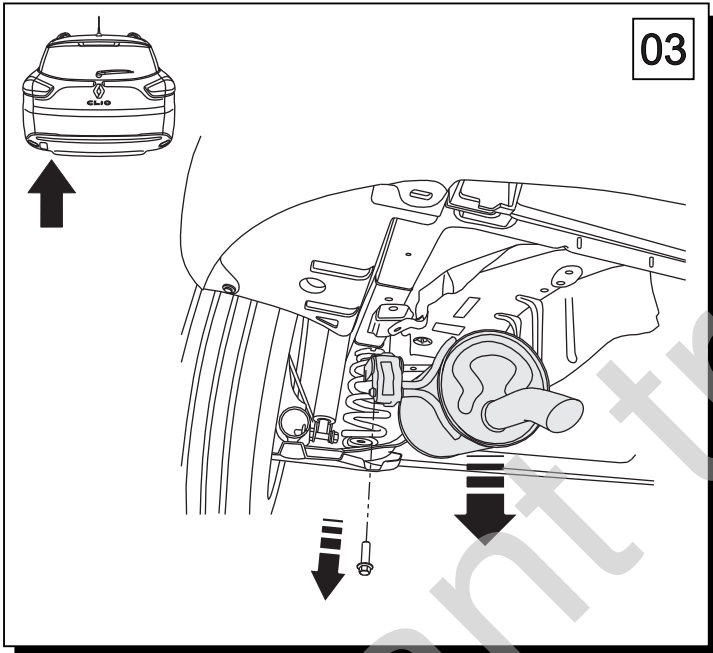
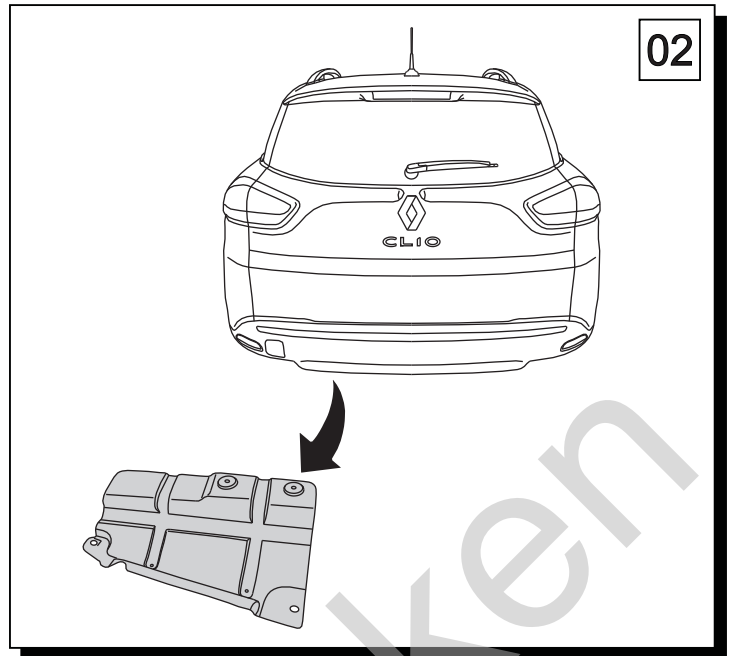
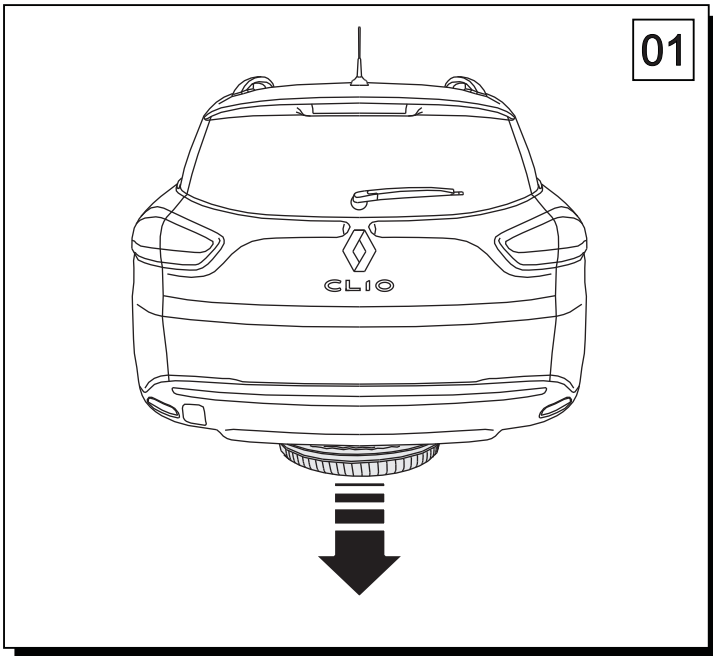
0 km →



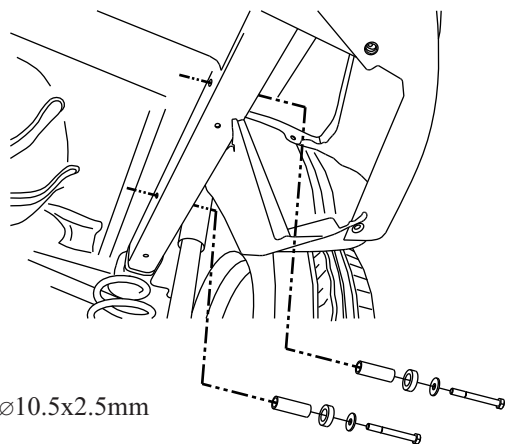
1000 km



	x 1		9 M12x75	x 1
			10 M12x70	x 1
			11 M12x35	x 4
			12 M10x100	x 2
			13 M10x90	x 2
2 	x 1 Art.nr-KL1G76		14 \varnothing 13	x 6
3 	x 1 Art.nr-BL1G76			15 \varnothing 30x \varnothing 10.5x2.5 10 (DIN 9021)
4 	x 1			16 \varnothing 12.2
5 	x 1			17 \varnothing 10.2
				18 M12
			19 M10	x 4
		20 		x 1
6 	x 2 L=69mm			
7 	x 2 L=63mm			
8 	x 4			



06



2x $\varnothing 30 \times 10.5 \times 2.5 \text{mm}$

2x $\varnothing 21 \times 2,65 \text{ L}=63 \text{mm}$

2x $\varnothing 35 \times 21 \text{ L}=10 \text{mm}$

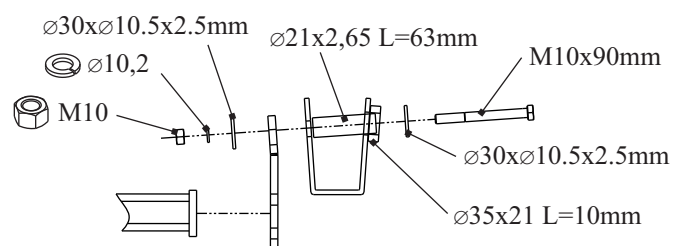
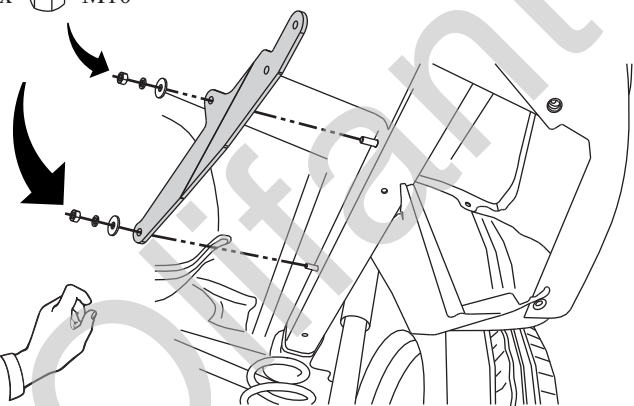
2x M10x90mm



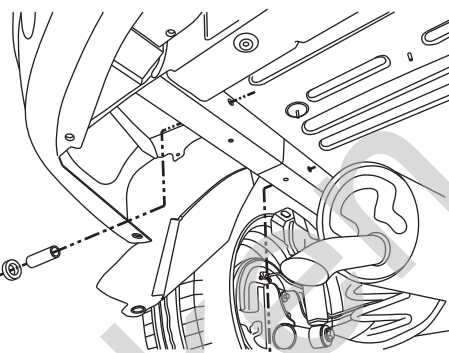
2x $\varnothing 30 \times 10.5 \times 2.5 \text{mm}$

2x $\varnothing 10,2$

2x M10



07



2x $\varnothing 30 \times 10.5 \times 2.5 \text{mm}$

2x $\varnothing 21 \times 2,65 \text{ L}=69 \text{mm}$

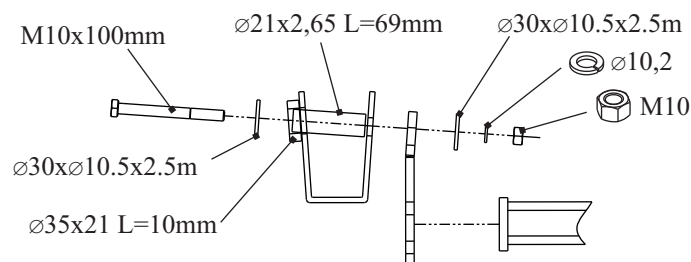
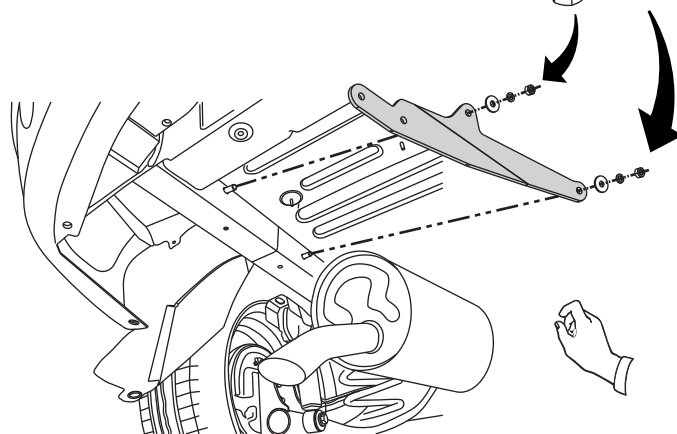
2x $\varnothing 35 \times 21 \text{ L}=10 \text{mm}$

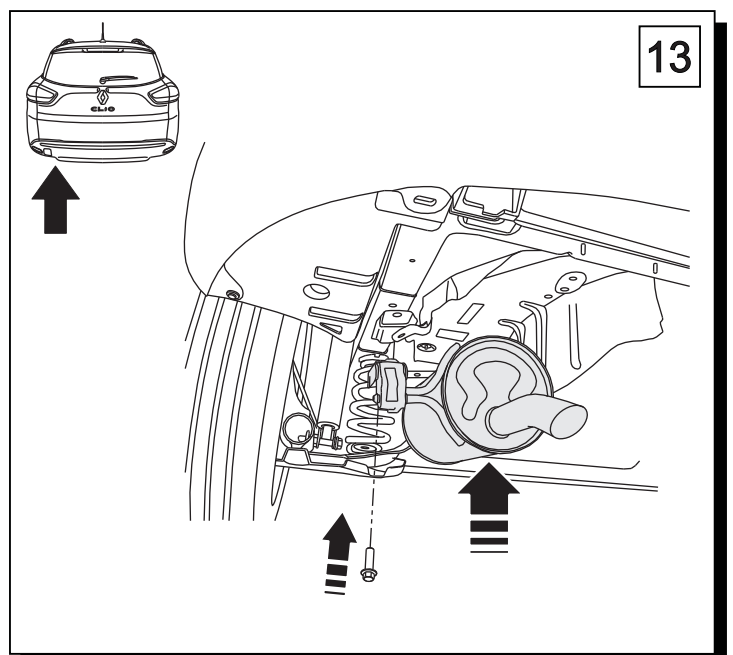
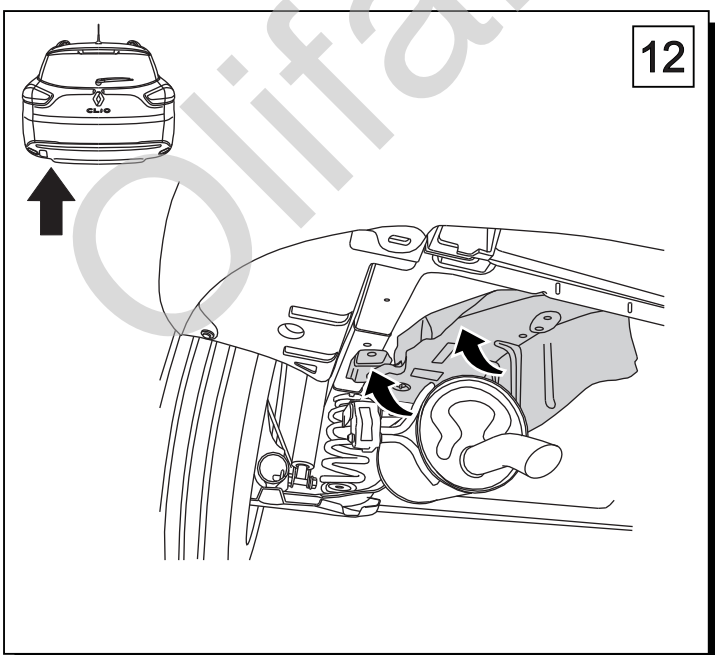
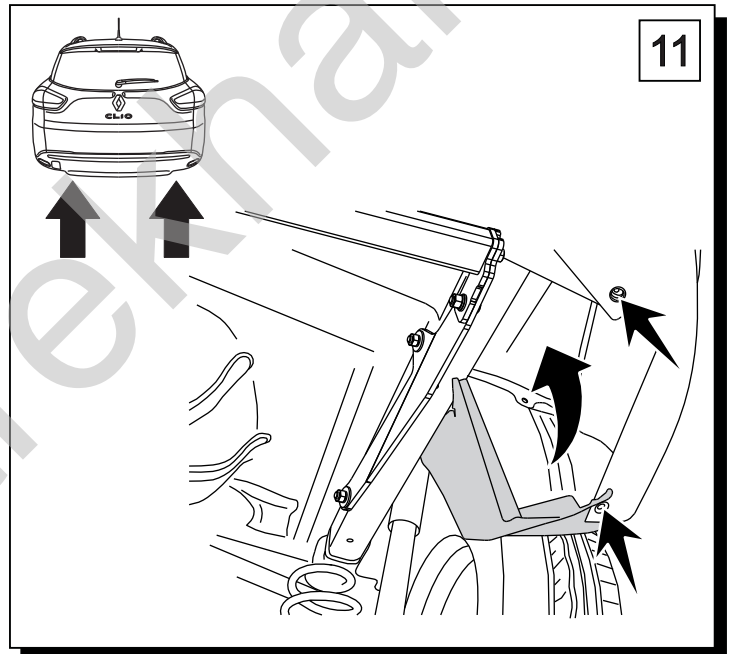
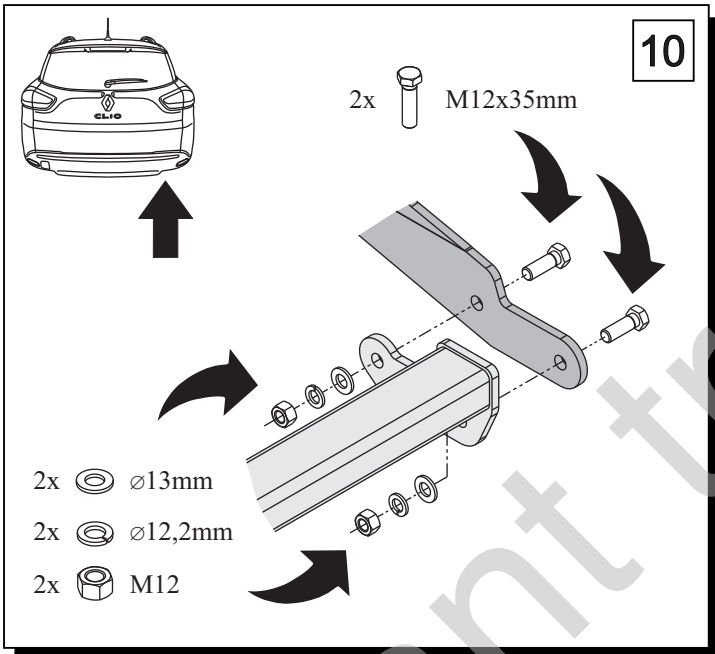
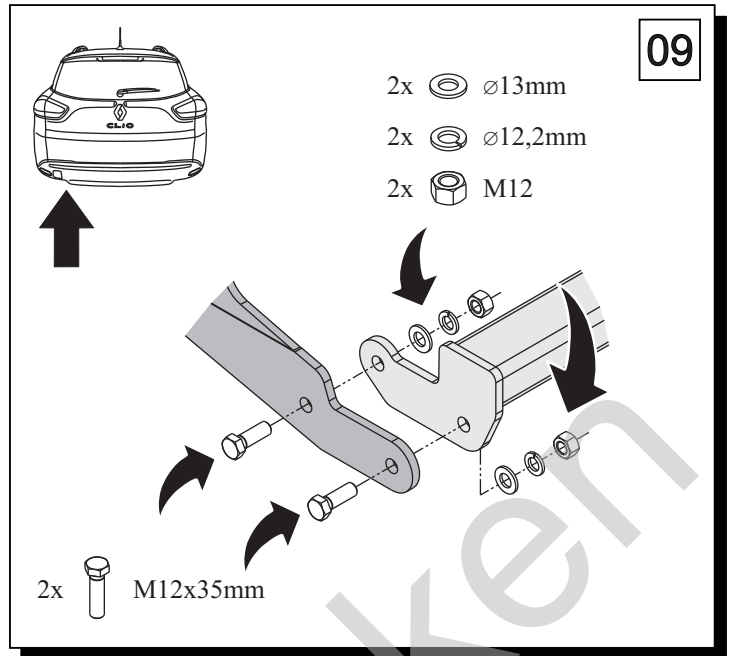
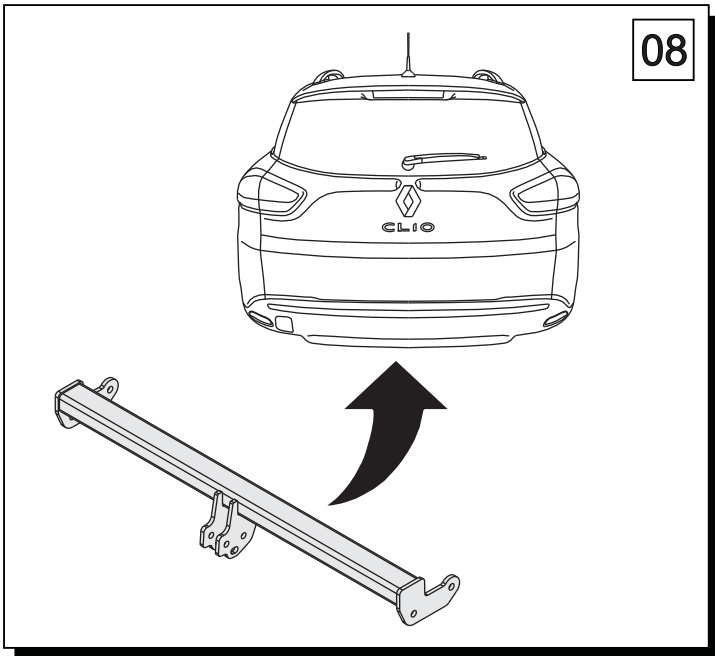
2x M10x100mm

2x $\varnothing 30 \times 10.5 \times 2.5 \text{mm}$

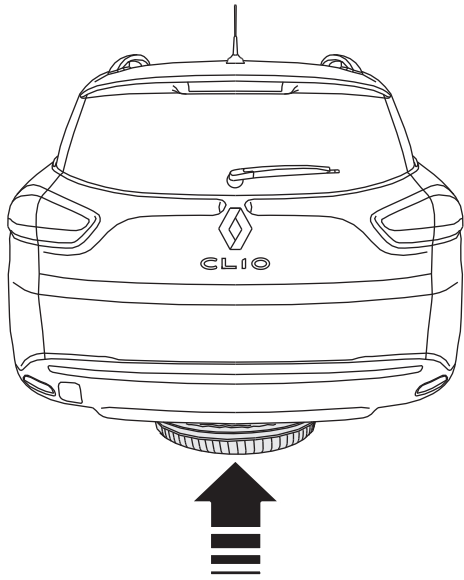
2x $\varnothing 10,2$

2x M10

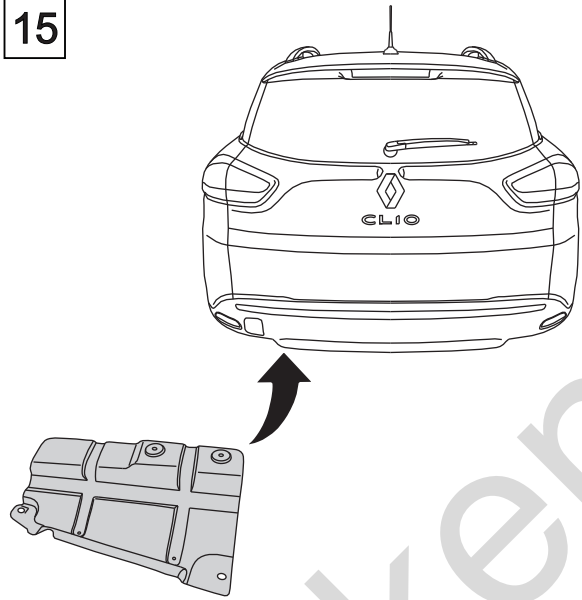




14



15



16

