

**AUTO-HAK Sp. z o.o.**

ul. Słoneczna 16K 76-200 SŁUPSK  
POLAND

tel/fax +48 59 8 414 414; +48 59 8 414 413

e-mail: [office@autohak.com.pl](mailto:office@autohak.com.pl)

[www.autohak.com.pl](http://www.autohak.com.pl)



**AUTO-HAK**

**PEUGEOT 308 II  
BREAK/SW KOMBI**

Nr kat.

**F46**



05.2014 →



E20-55R-01 4700



9,5 kN



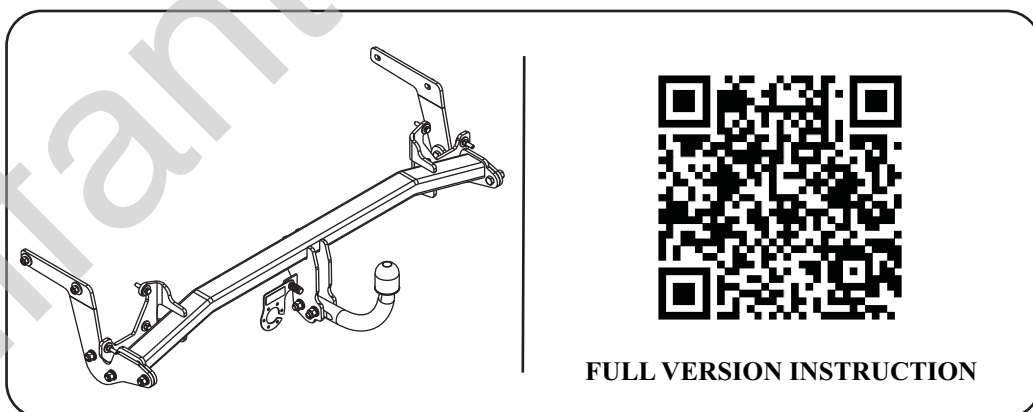
R=1750 kg



S=75 kg



2h



FULL VERSION INSTRUCTION



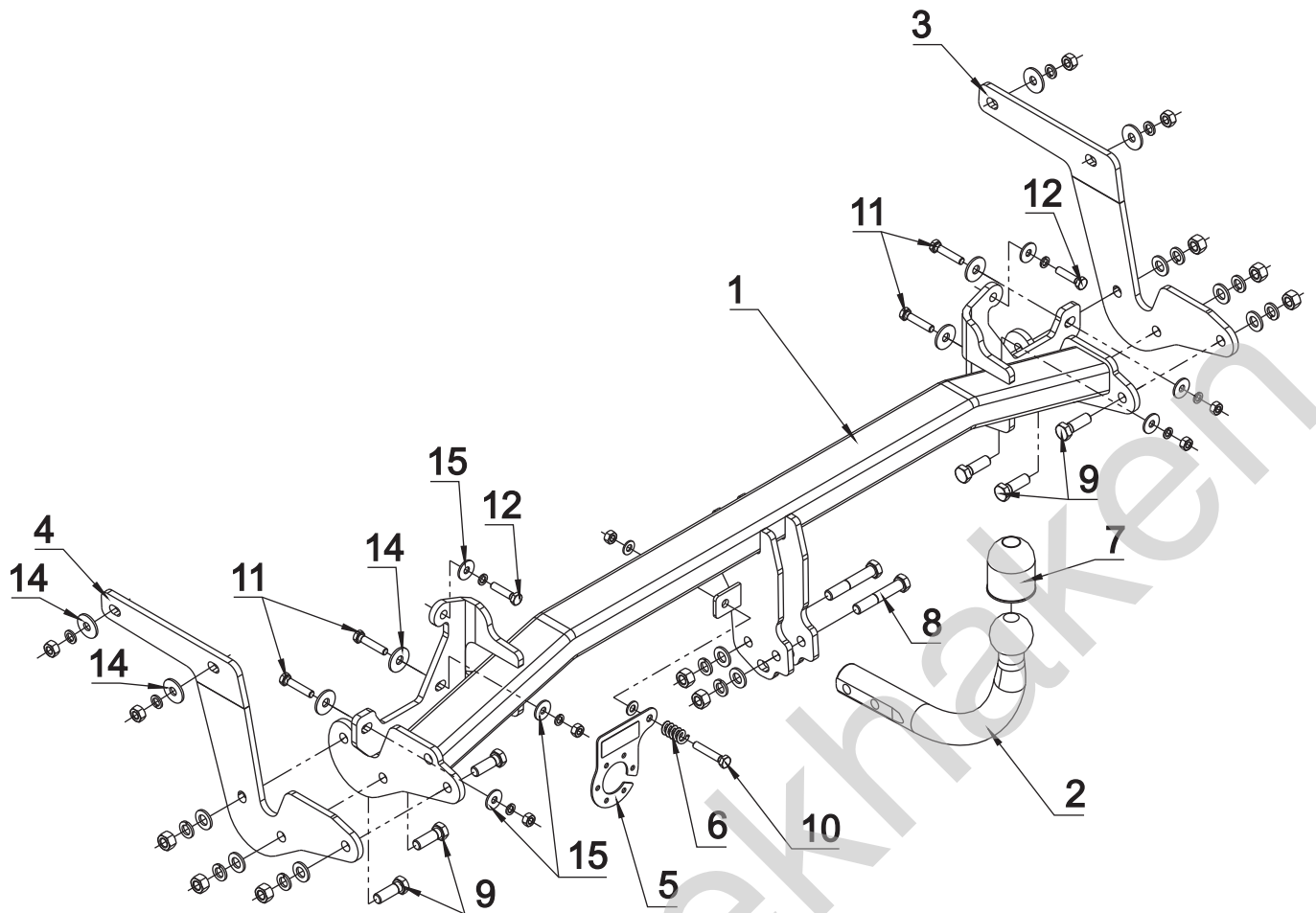
śruba	Nm	M6	M8	M10	M12	M14	M16
klasa 8.8		9,9	24	48	83	132	200
klasa 10.9		14	34	67	117	185	285

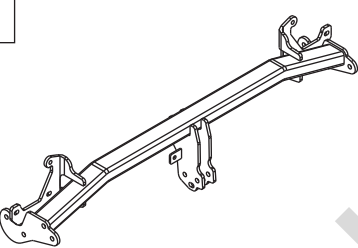

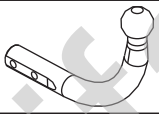


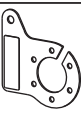

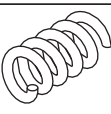

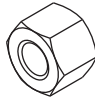


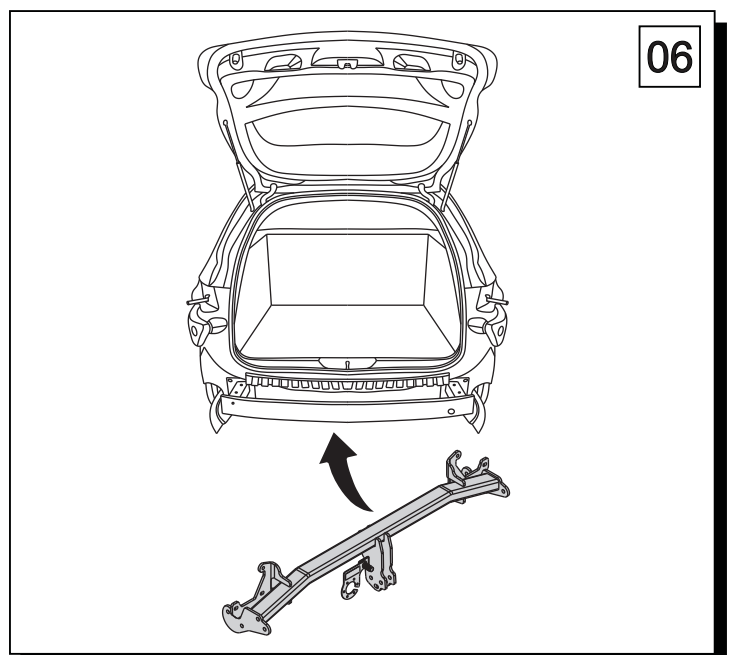
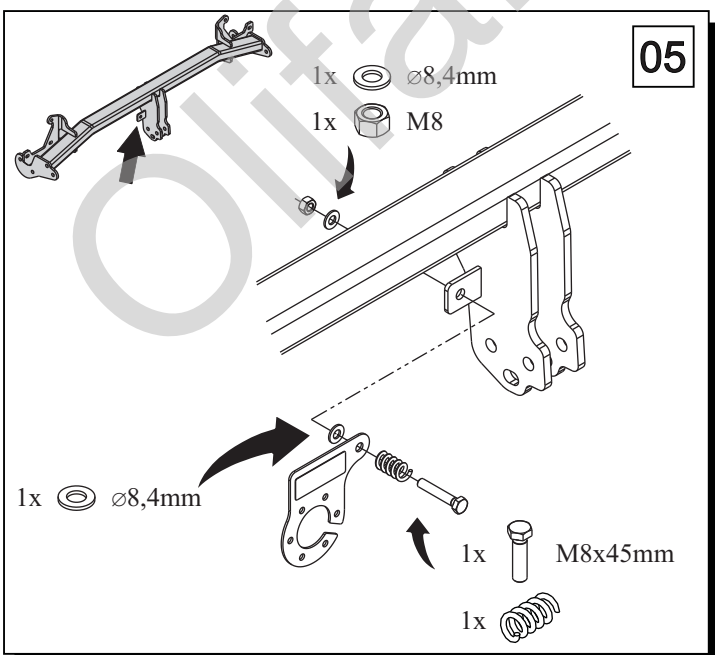
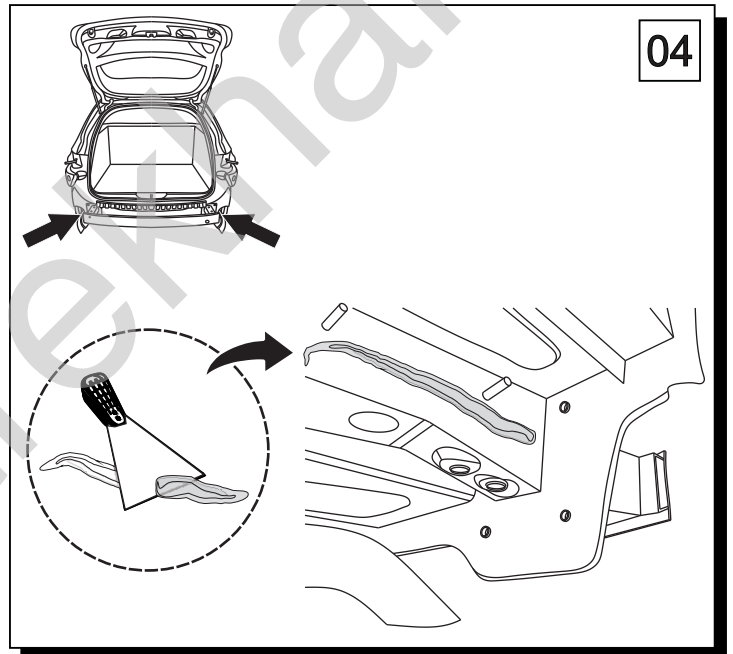
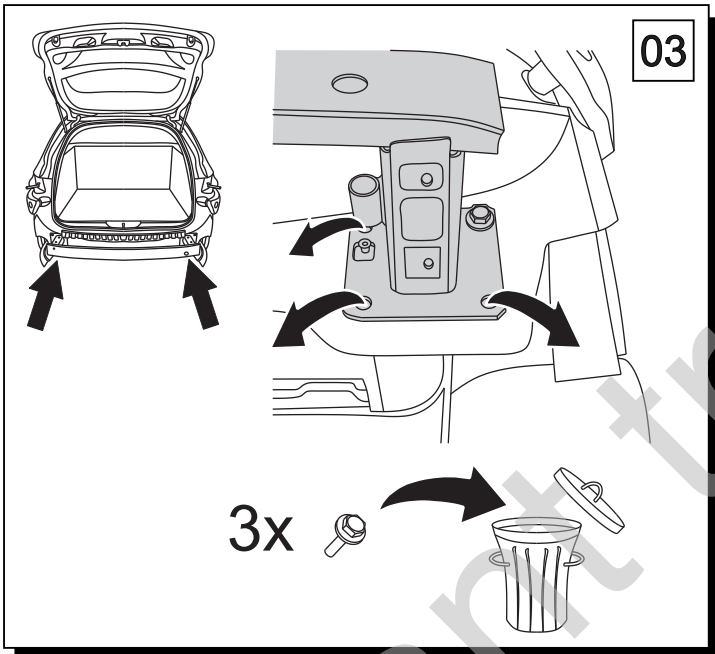
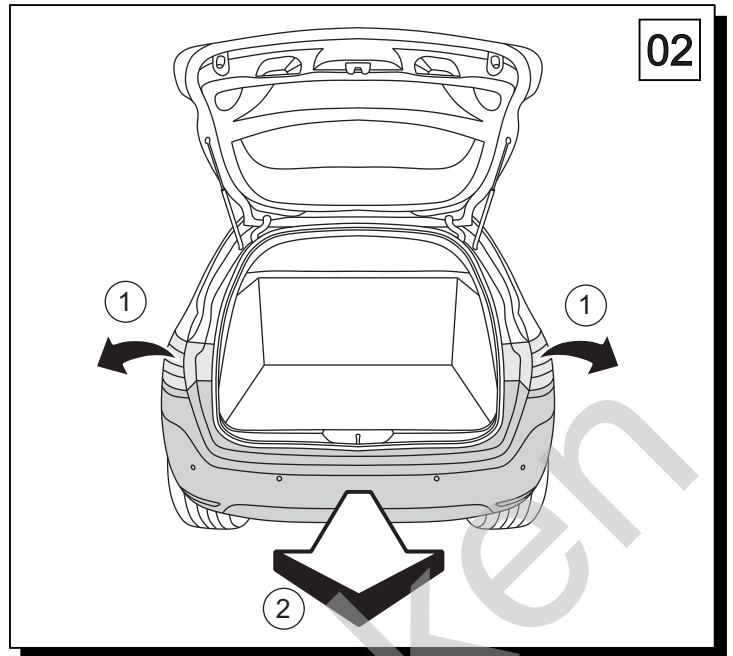
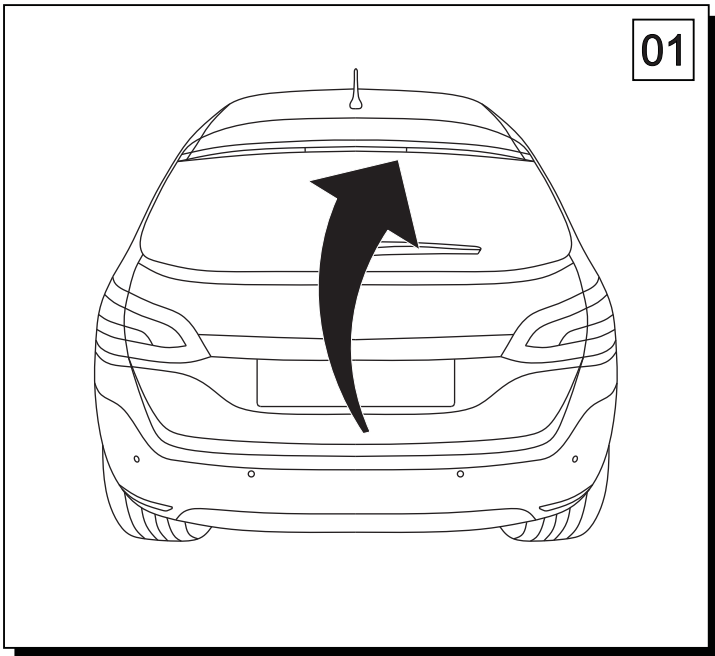
0 km →

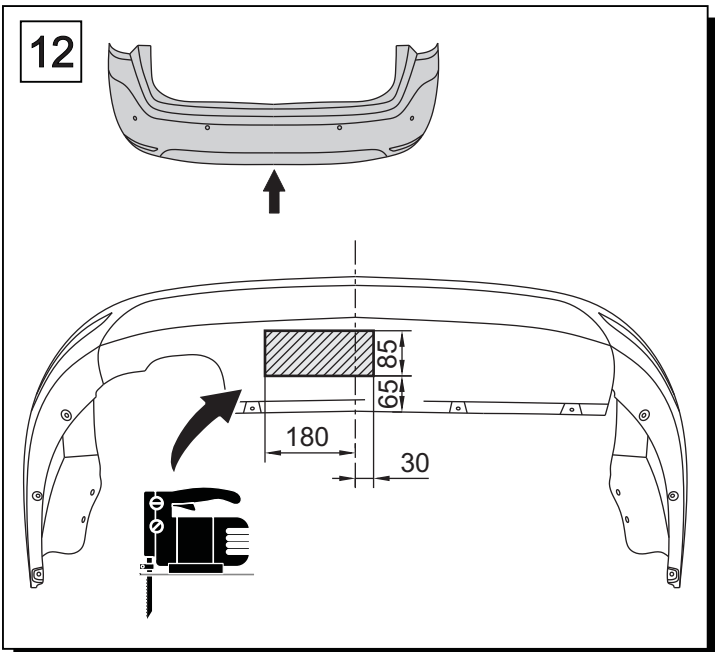
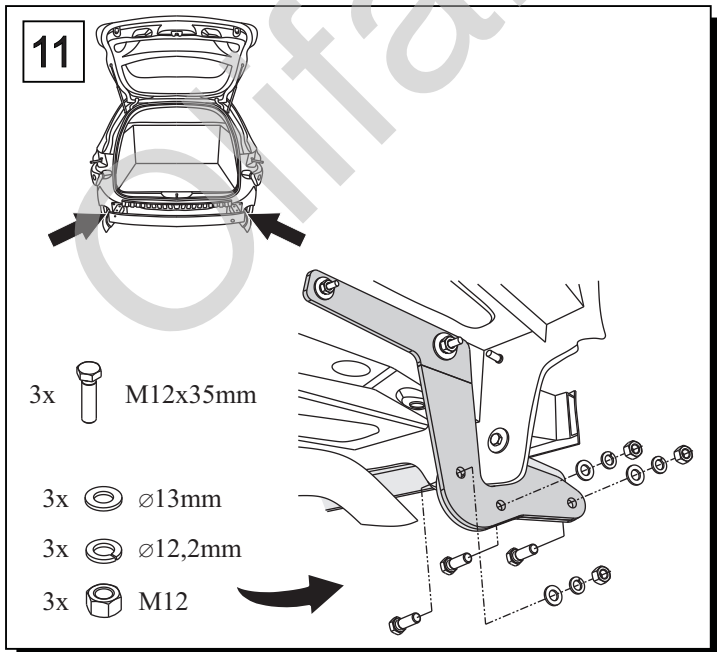
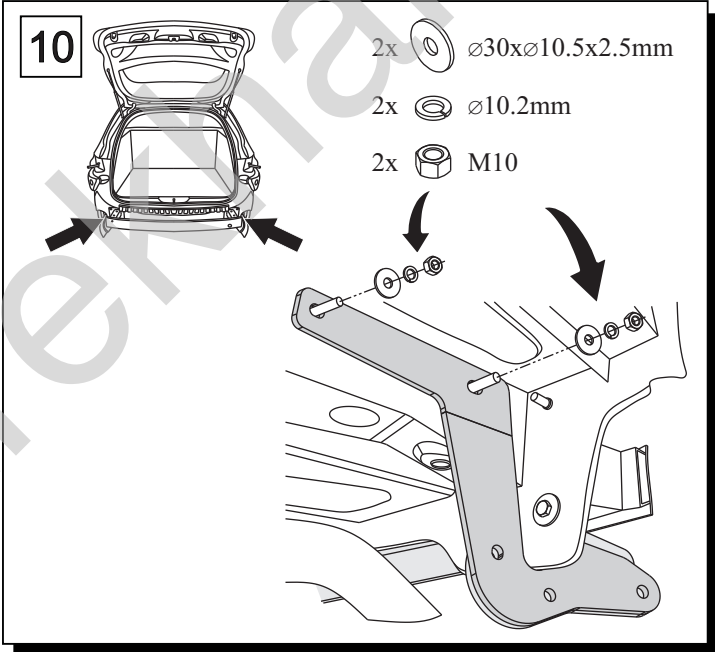
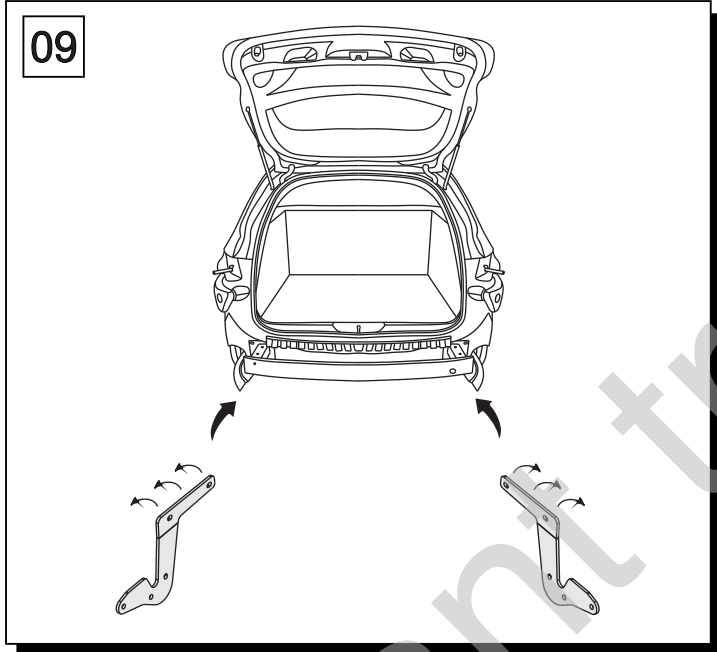
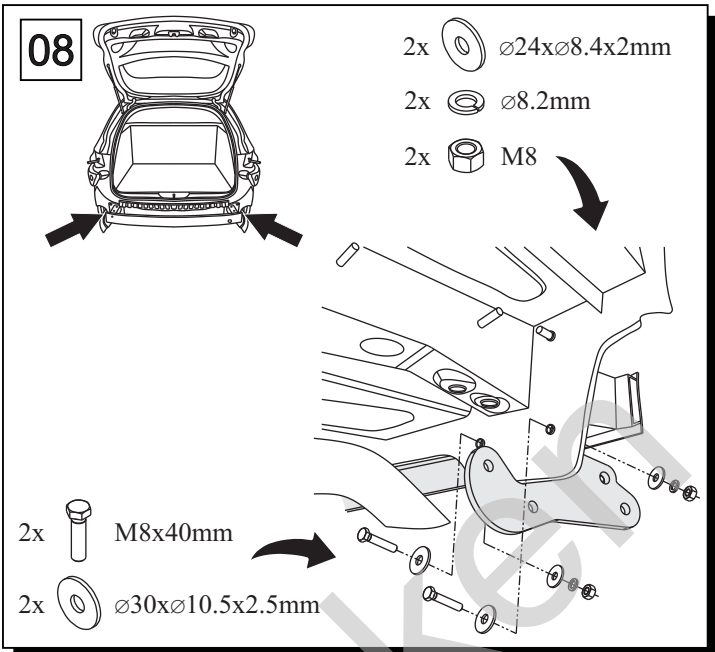
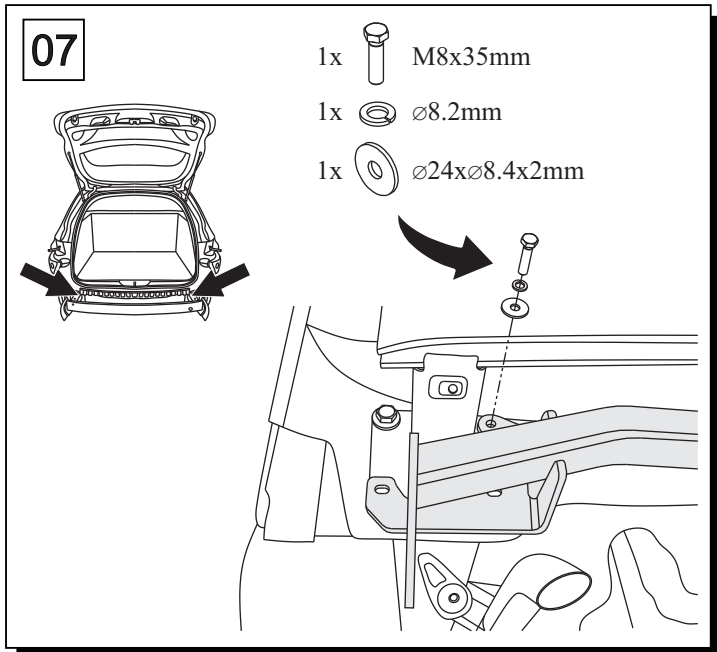


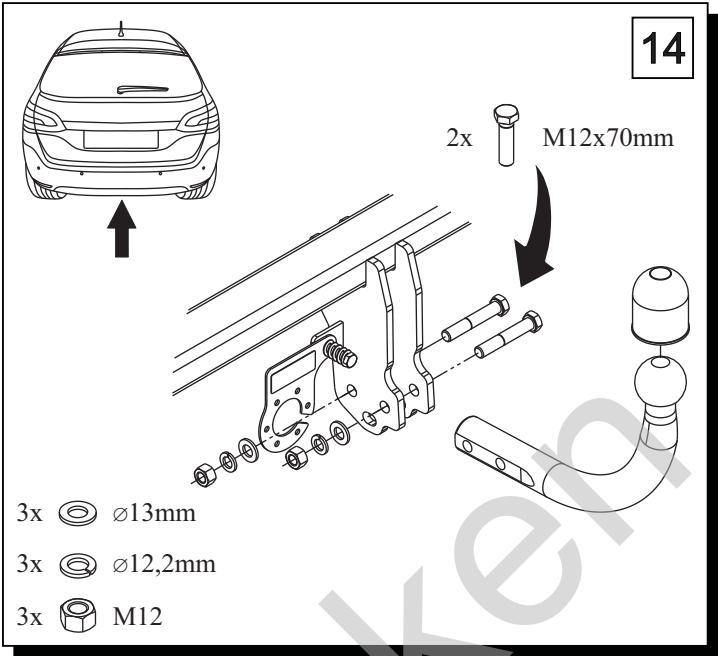
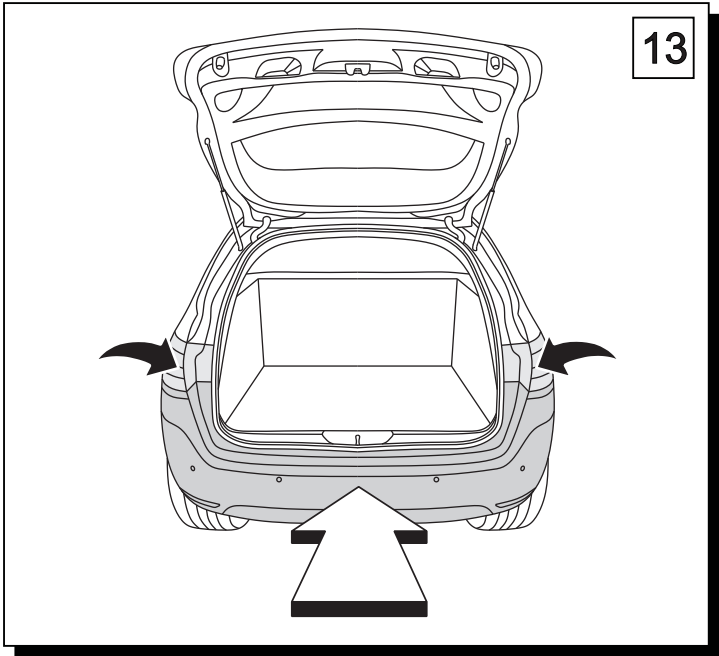
1000 km



1		x 1		8 M 12x70	x 2
				9 M 12x35	x 6
				10 M 8x45	x 1
				11 M 8x40	x 4
				12 M 8x35	x 2
2		x 1		13 $\varnothing$ 13	x 8
	Art.nr-KL1F46			14 $\varnothing$ 30x $\varnothing$ 10.5x2.5	8
3		x 1		10 DIN 9021	
				15 $\varnothing$ 24x $\varnothing$ 8.4x2	6
				8 DIN 9021	
				16 $\varnothing$ 8.5	x 2
5		x 1		17 $\varnothing$ 12.2	x 8
	Art.nr-BL1F46			18 $\varnothing$ 10.2	x 4
6		x 1		19 $\varnothing$ 8.2	x 6
				20 M 12	x 8
7		x 1		21 M 10	x 4
				22 M 8	x 5







Olifant trekhaker