

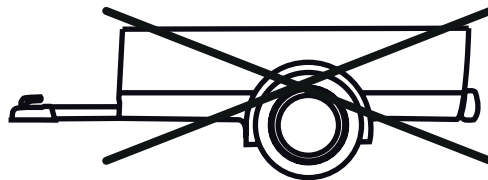
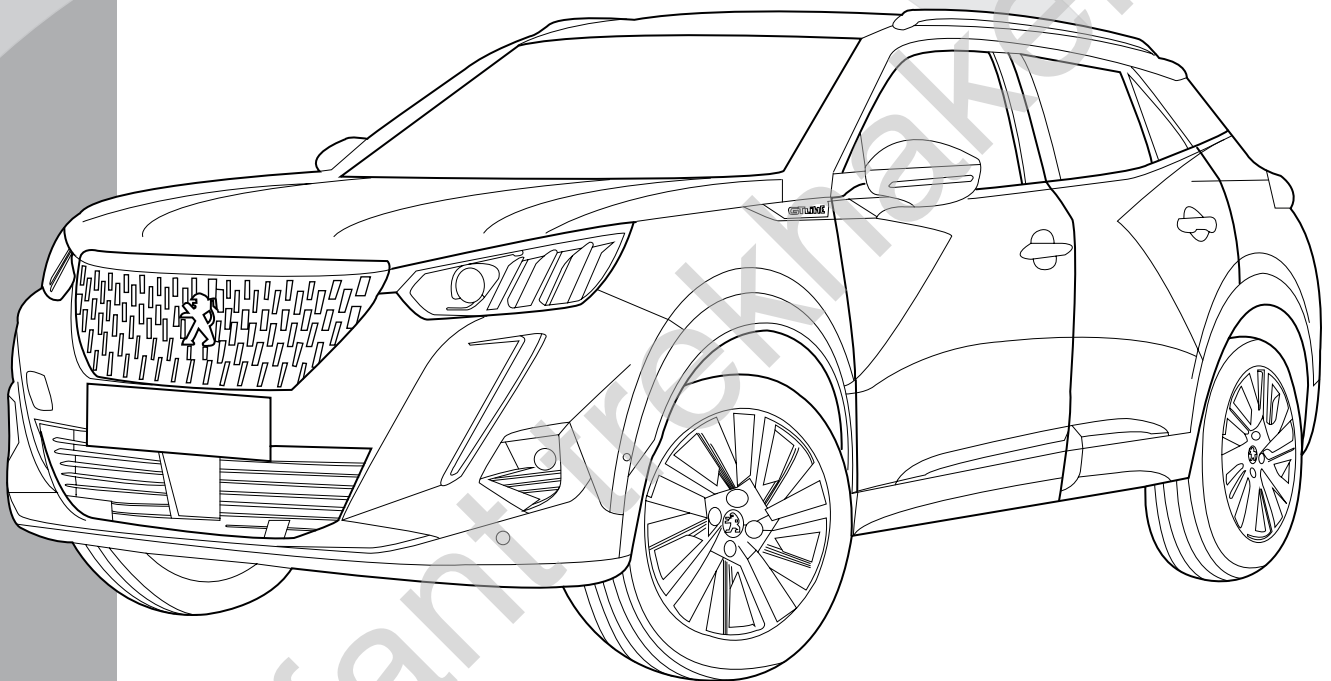


TREKHAKEN • ATTELAGES • ANHÄNGERVORRICHTUNGEN • TOWBARS • ENHANCES • ANHÆNGERTRÆK  
Montagehandleiding | instructions de montage | Einbauanleitung | Mounting instruction  
Instrucciones de montaje | monteringsvejledning

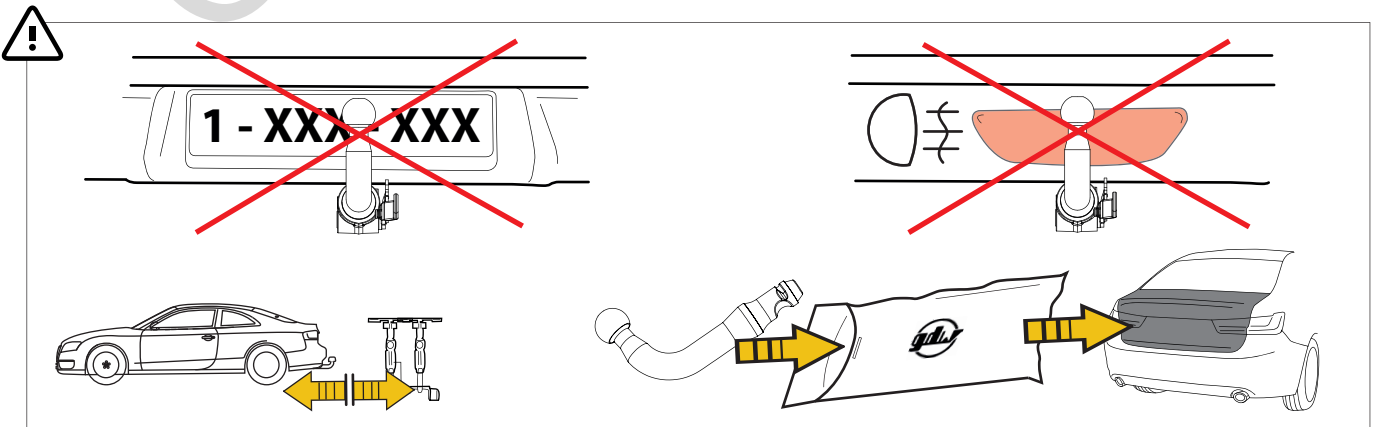
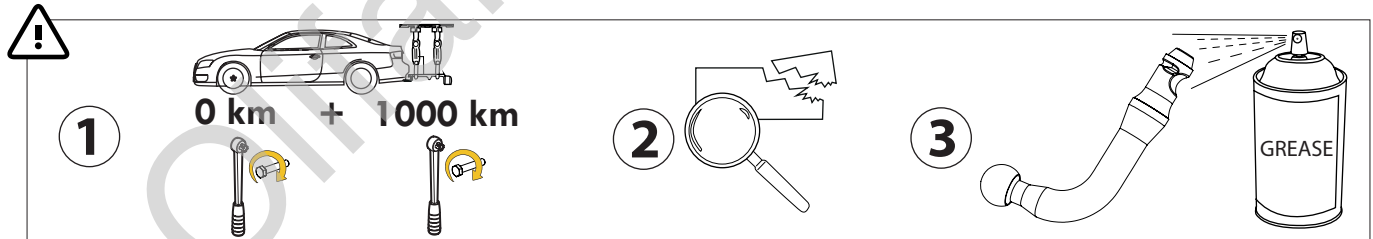
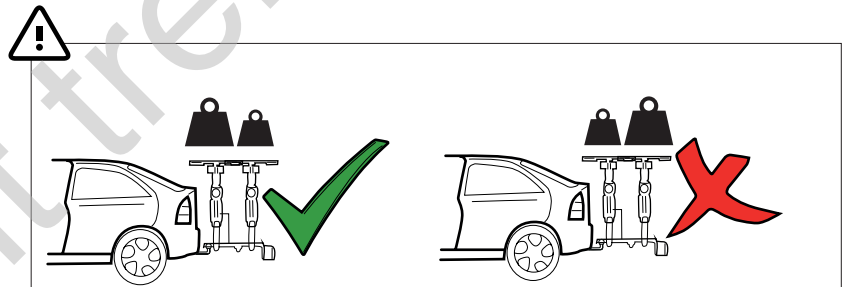
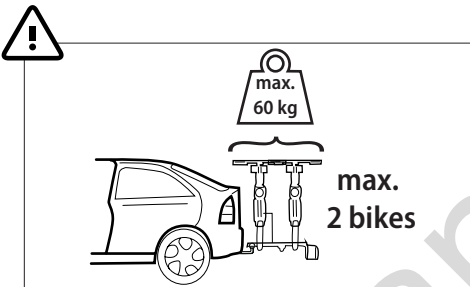
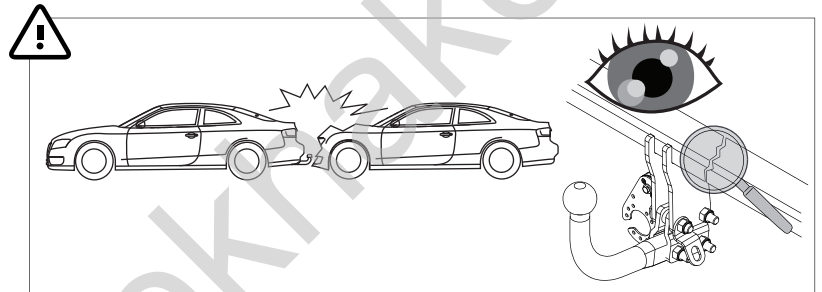
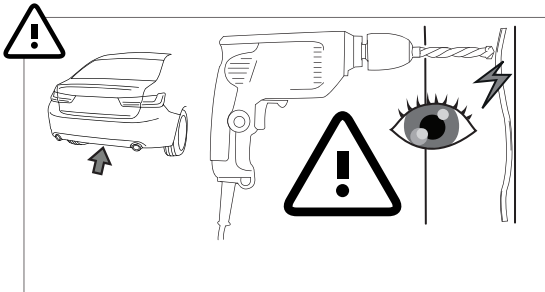
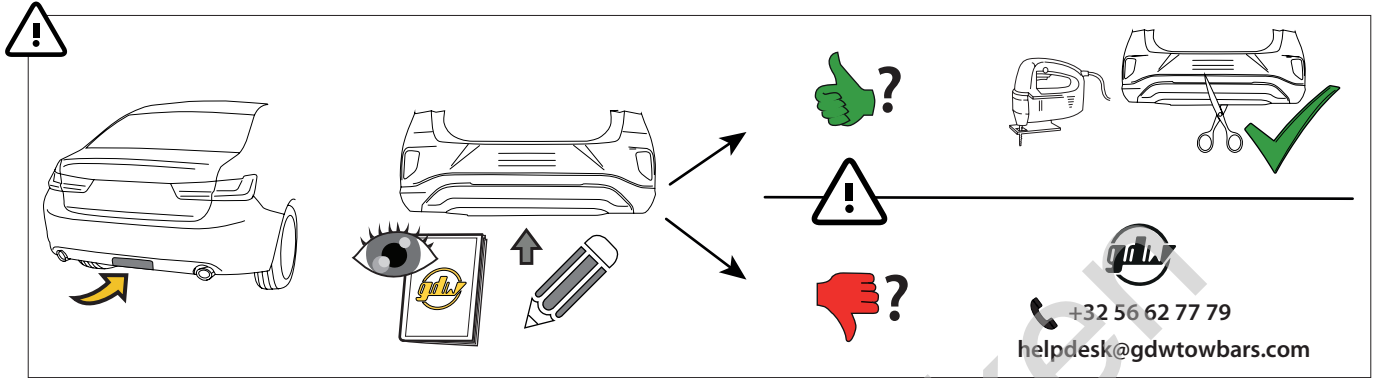
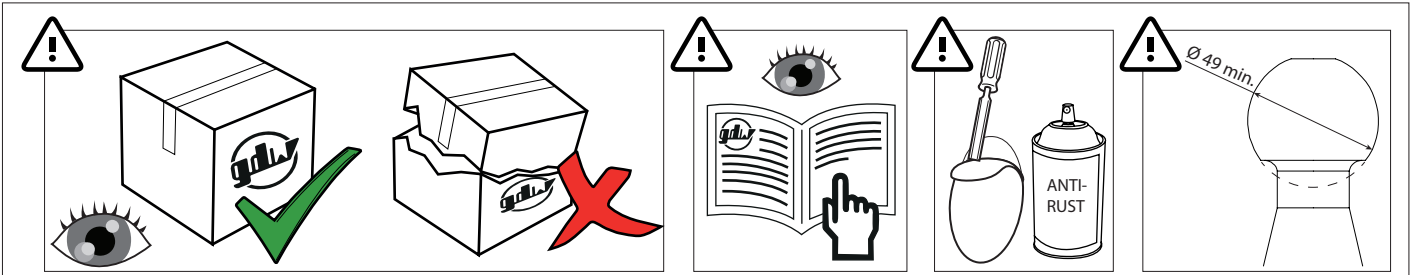


# Peugeot e-2008 II

09/'19 -



# NO TOWING



MADE BY



BELGIUM

**NO TOWING**

D 0,00

REF N°

2573T60

SERIAL N°

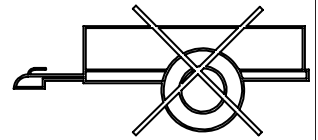
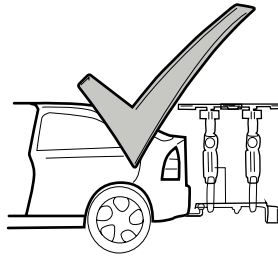
xxx

S 75

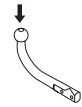
DISCRIPTION

Peugeot e-2008 II 09/'19-

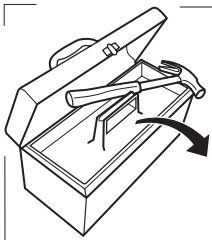
**NO TOWING**



S =



= 75 kg



10

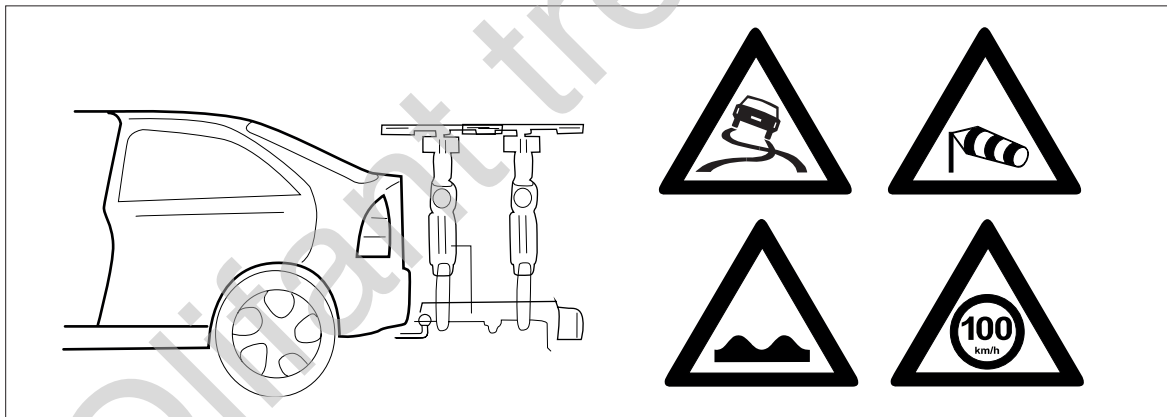
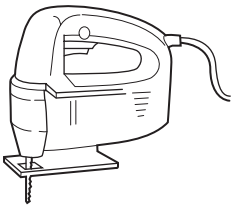
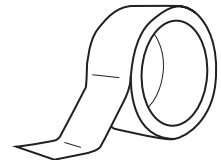
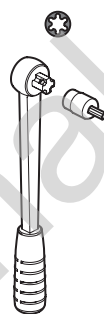
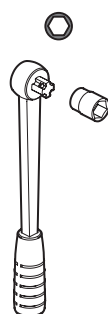
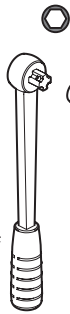
13

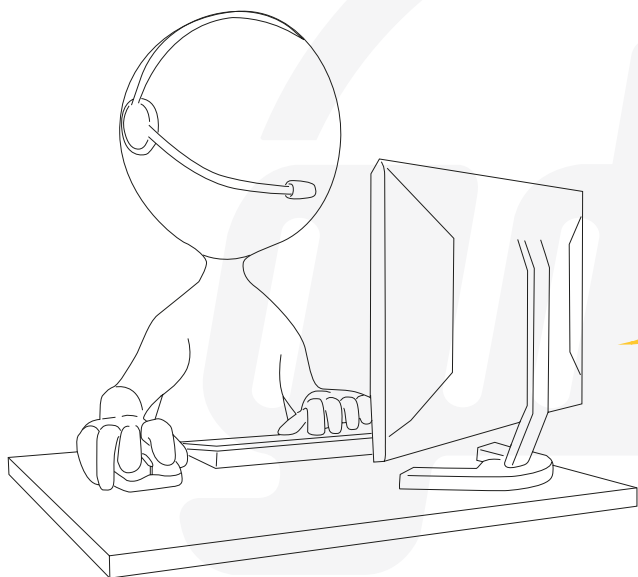
17

19

TX15

TX20





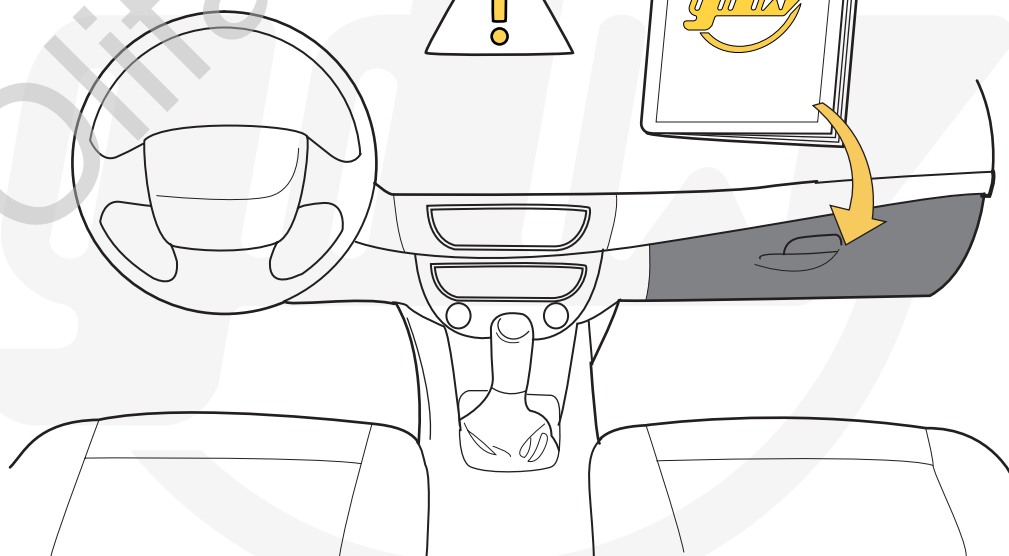
**helpdesk@gdwtowbars.com**

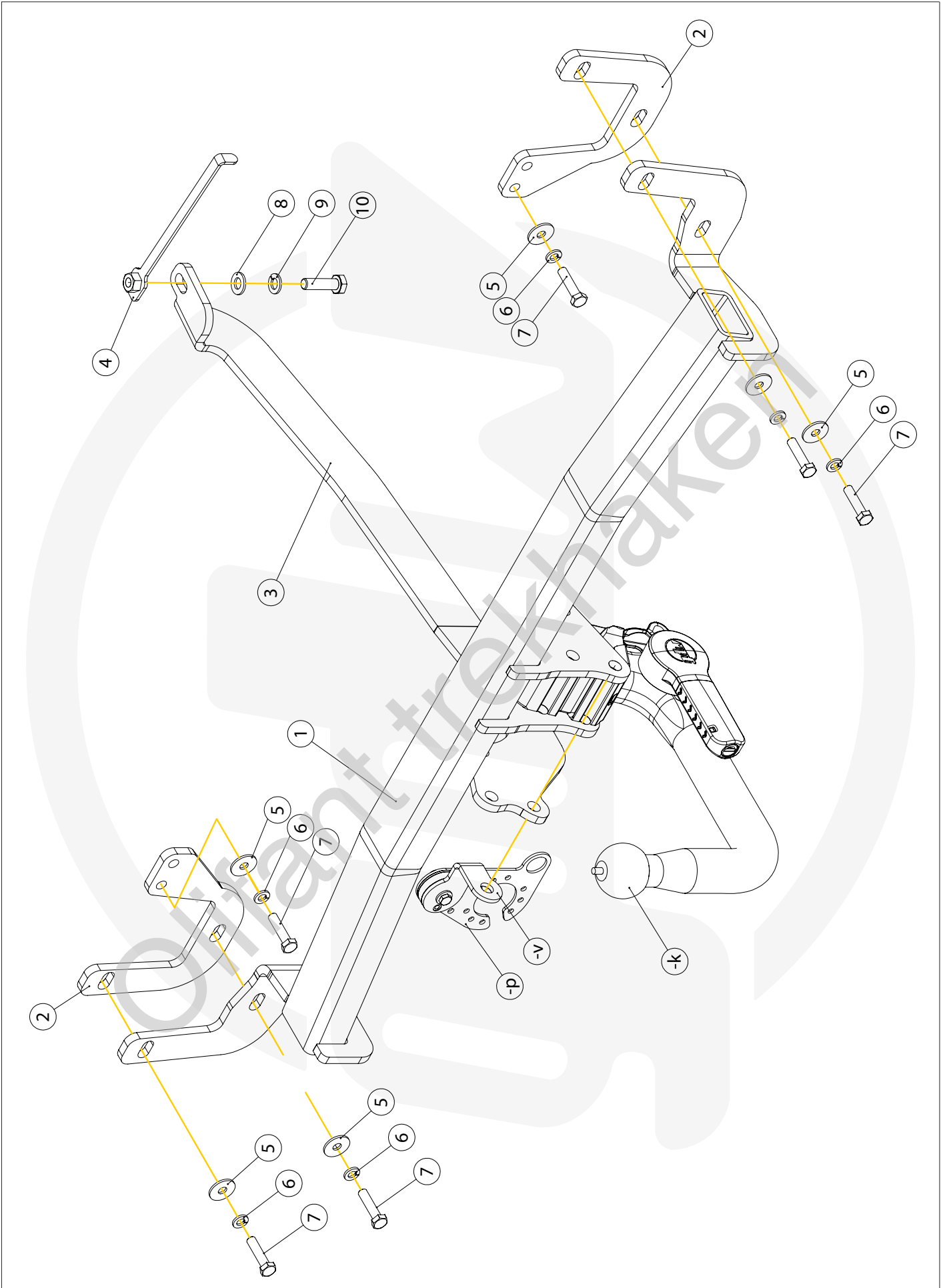
**+32 56 62 77 79**

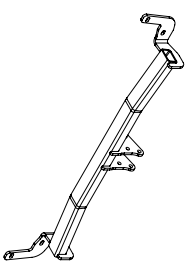
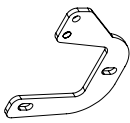
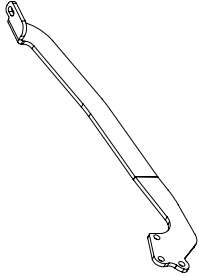
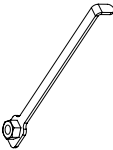







Monday	08:00 - 12:00	12:30 - 16:30
Tuesday	08:00 - 12:00	12:30 - 16:30
Wednesday	08:00 - 12:00	12:30 - 16:30
Thursday	08:00 - 12:00	12:30 - 16:30
Friday	08:00 - 12:00	12:30 - 15:30

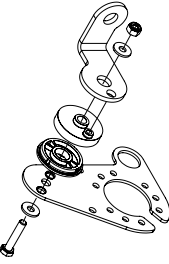




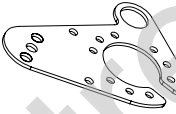




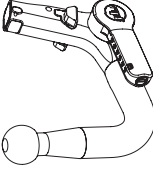

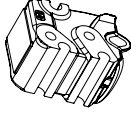


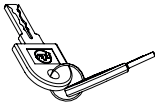
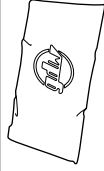

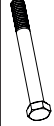

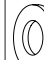
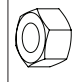
**KEY NUMBER**



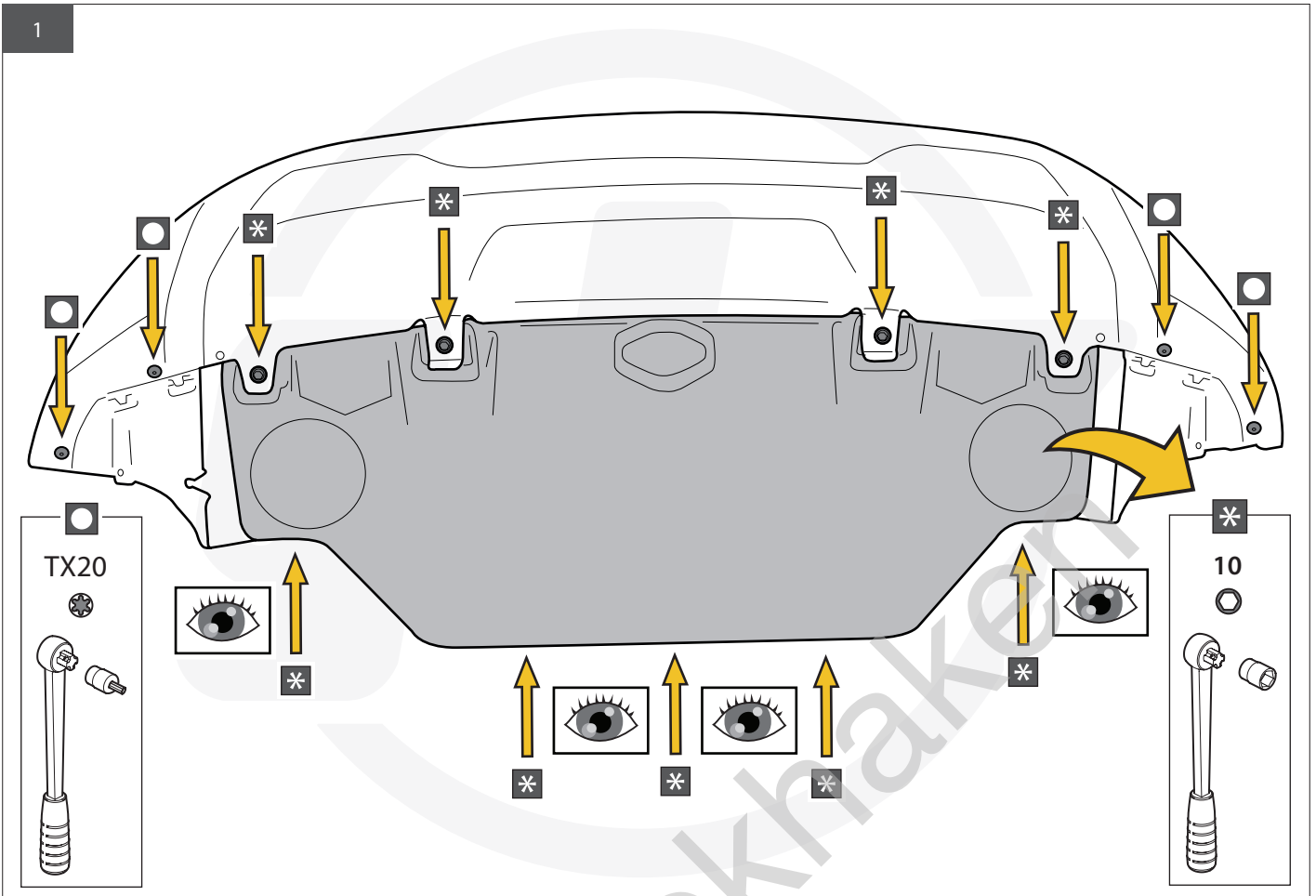


1		X1	GDW REF. 2573T60
2		X2	GDW REF. 2
3		X1	GDW REF. 3
4		X1	GDW REF. 4
5		X6	DIN9021-M8-ELVZ
6		X6	DIN128A-M8
7		X6	DIN933-M8 X 40
8		X1	DIN125-A10-14OHV-ELVZ
9		X1	DIN128A-M10
10		X1	DIN933-M10 X 35
-V		X1	GDW REF. 908.095

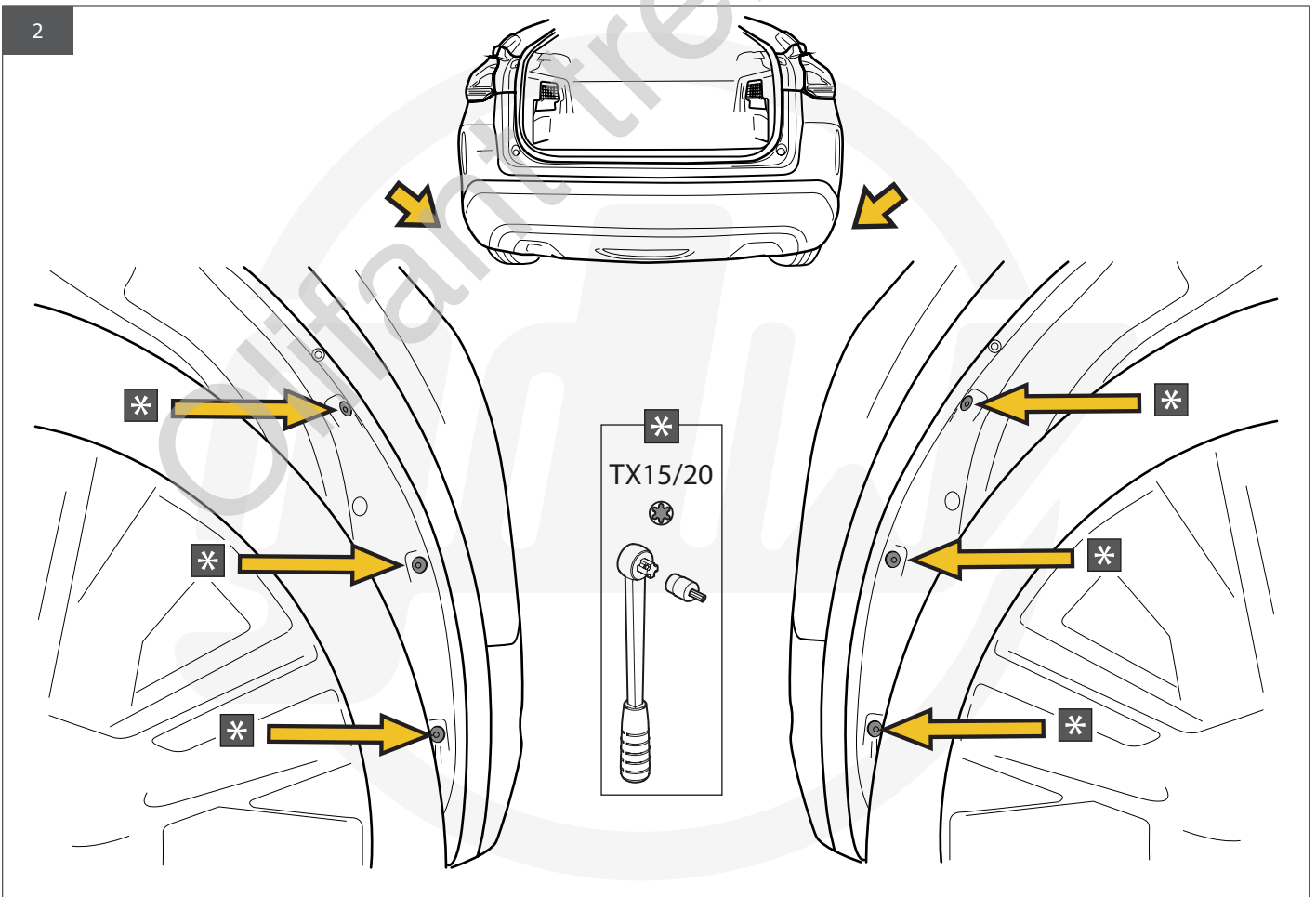
-P		X1	GDW REF. P39
L		X1	DIN985-M6
L		X2	6,2 X 15,4 X 1,6 (NYLON)
L		X1	GDW REF. 718.16.002
L		X1	GDW REF. 718.16.003
L		X1	GDW REF. 908.094
L		X1	DIN933-M6 X 30
L		X1	GDW REF. 908.095

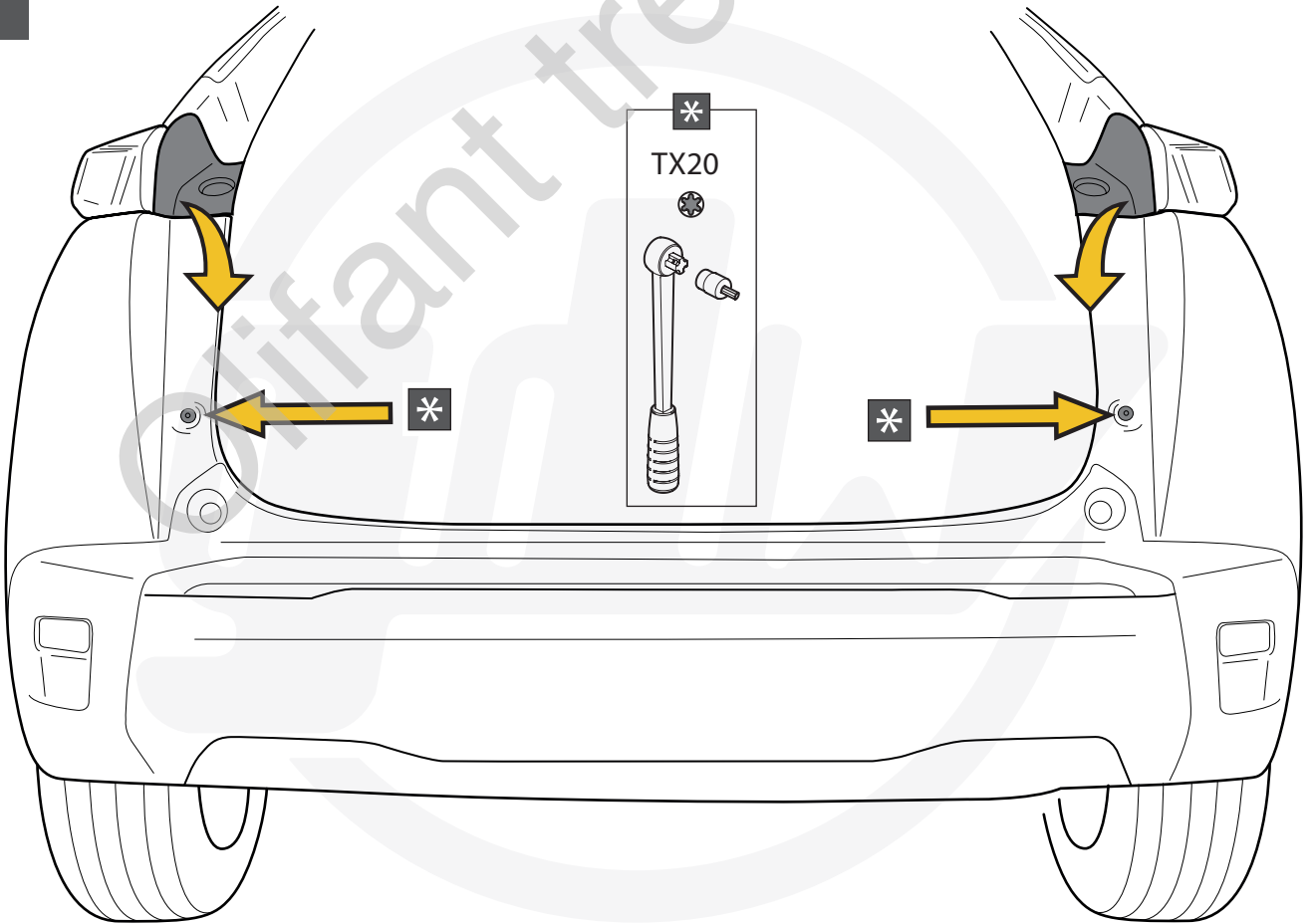
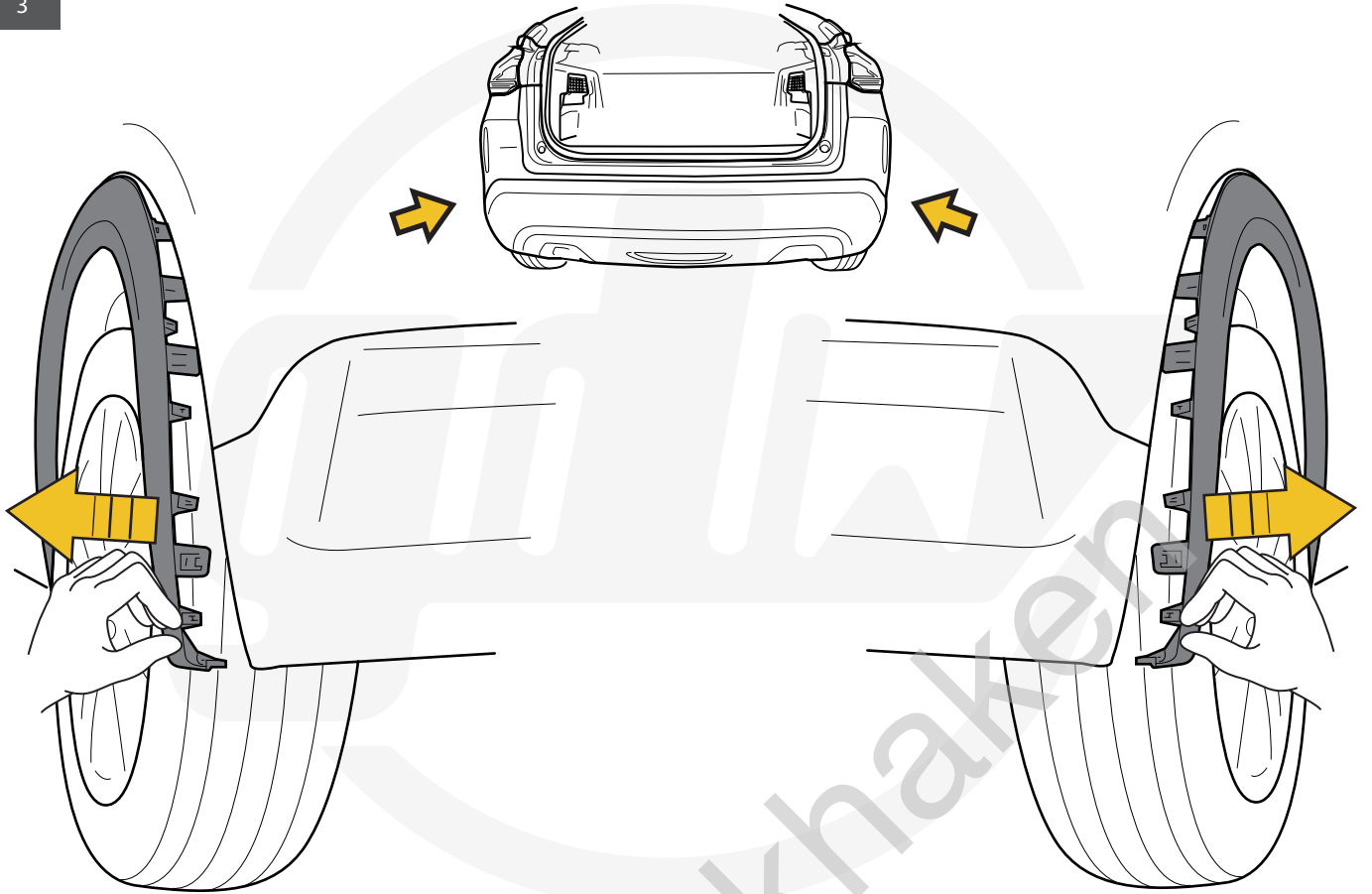
Geleverd met - Livré avec - Delivered with Geliiefert mit - Elementos adjuntos-Leveres med		X1	GDW REF. 960.V1008T	
	L		X1	GDW REF. 740.200
	L		X1	GDW REF. 912.003
	L		X1	GDW REF. 740.112
	L		X1	GDW REF. 740.111
	L		X1	GDW REF. 740.114
	L		X1	GDW REF. 718.15.001
	L		X1	GDW REF. SYST60-10
	L		X3	DIN931-M12 X 110
	L		X3	DIN128A-M12
	L		X6	DIN125A-M12
	L		X3	DIN934-M12

1



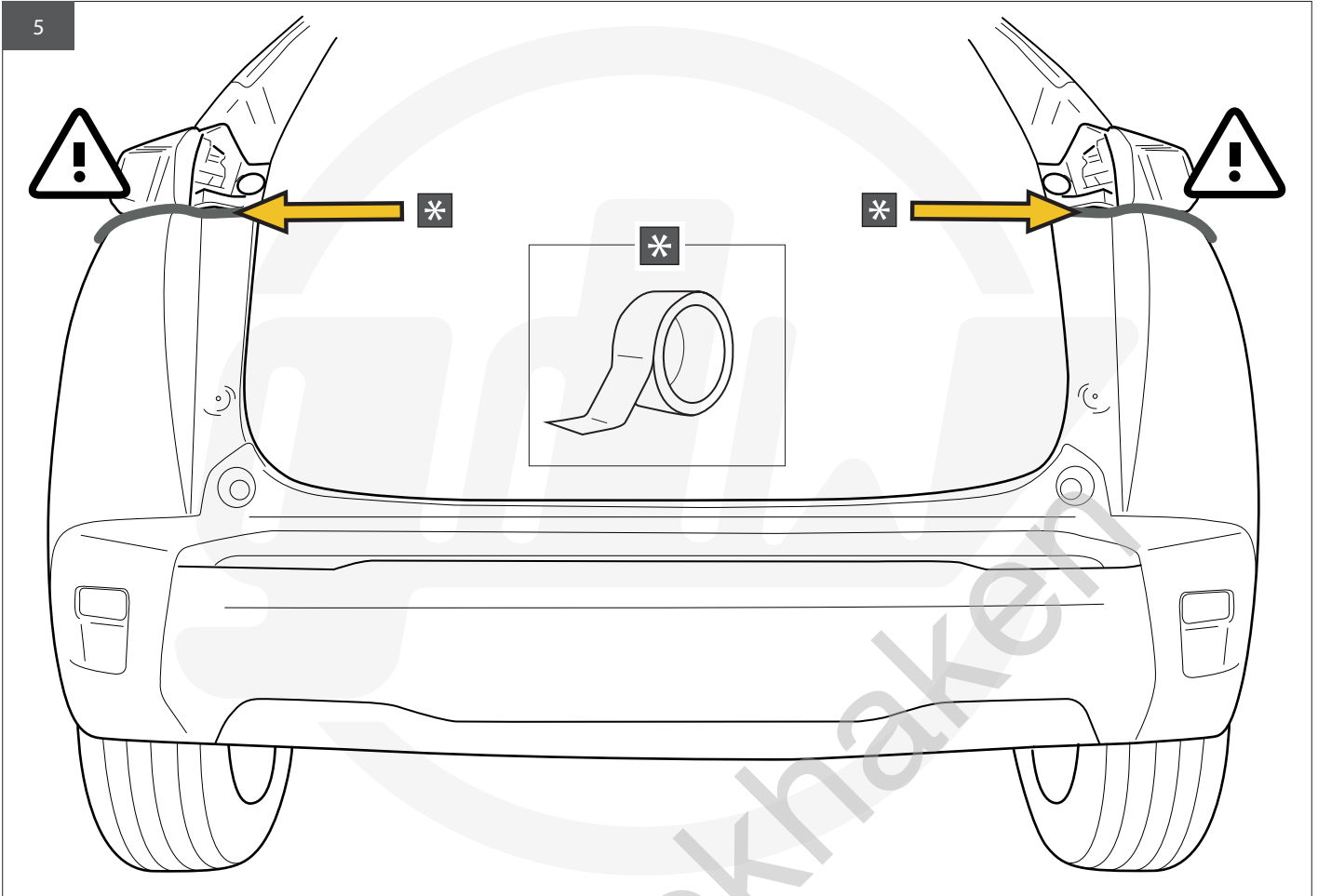
2



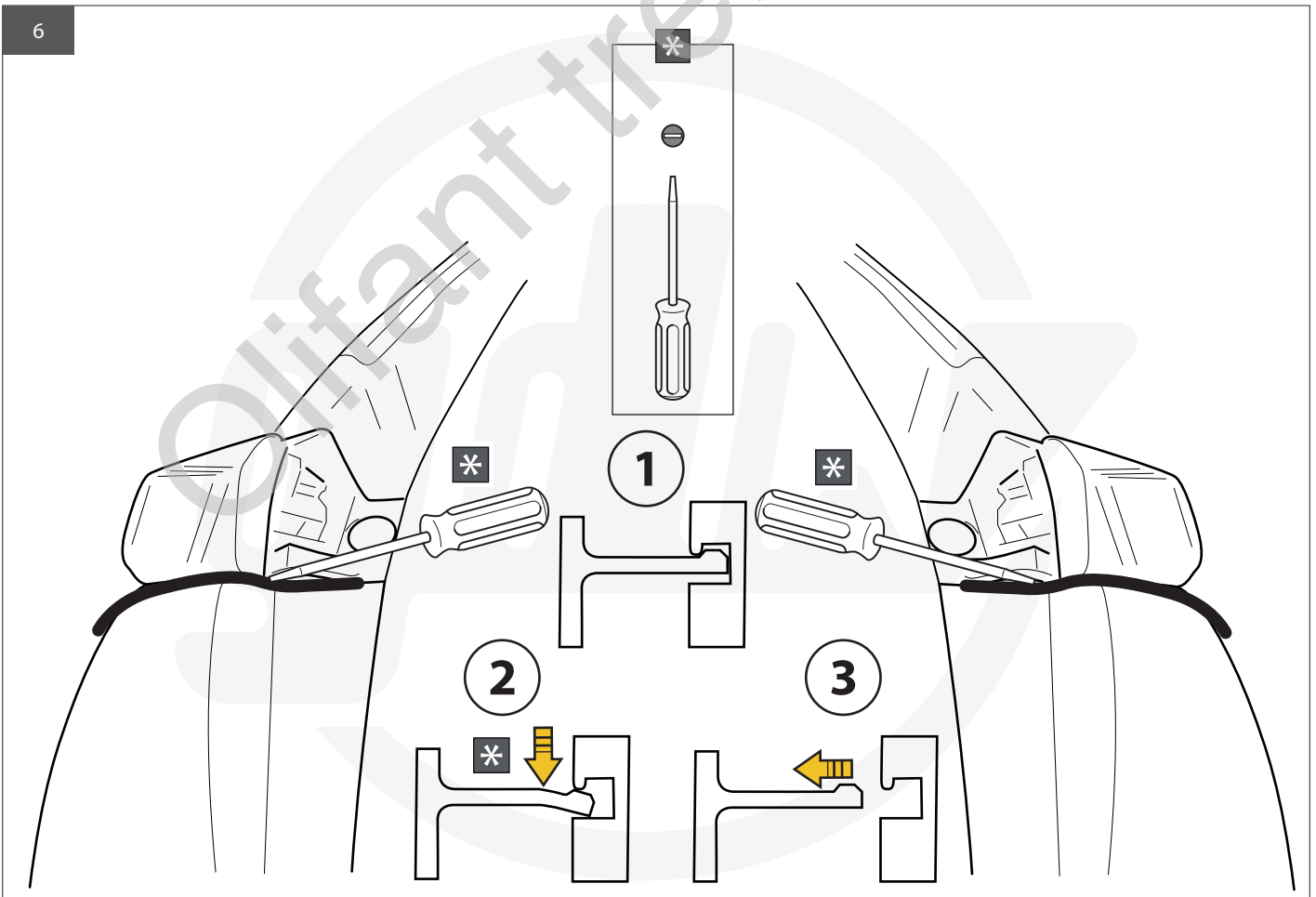




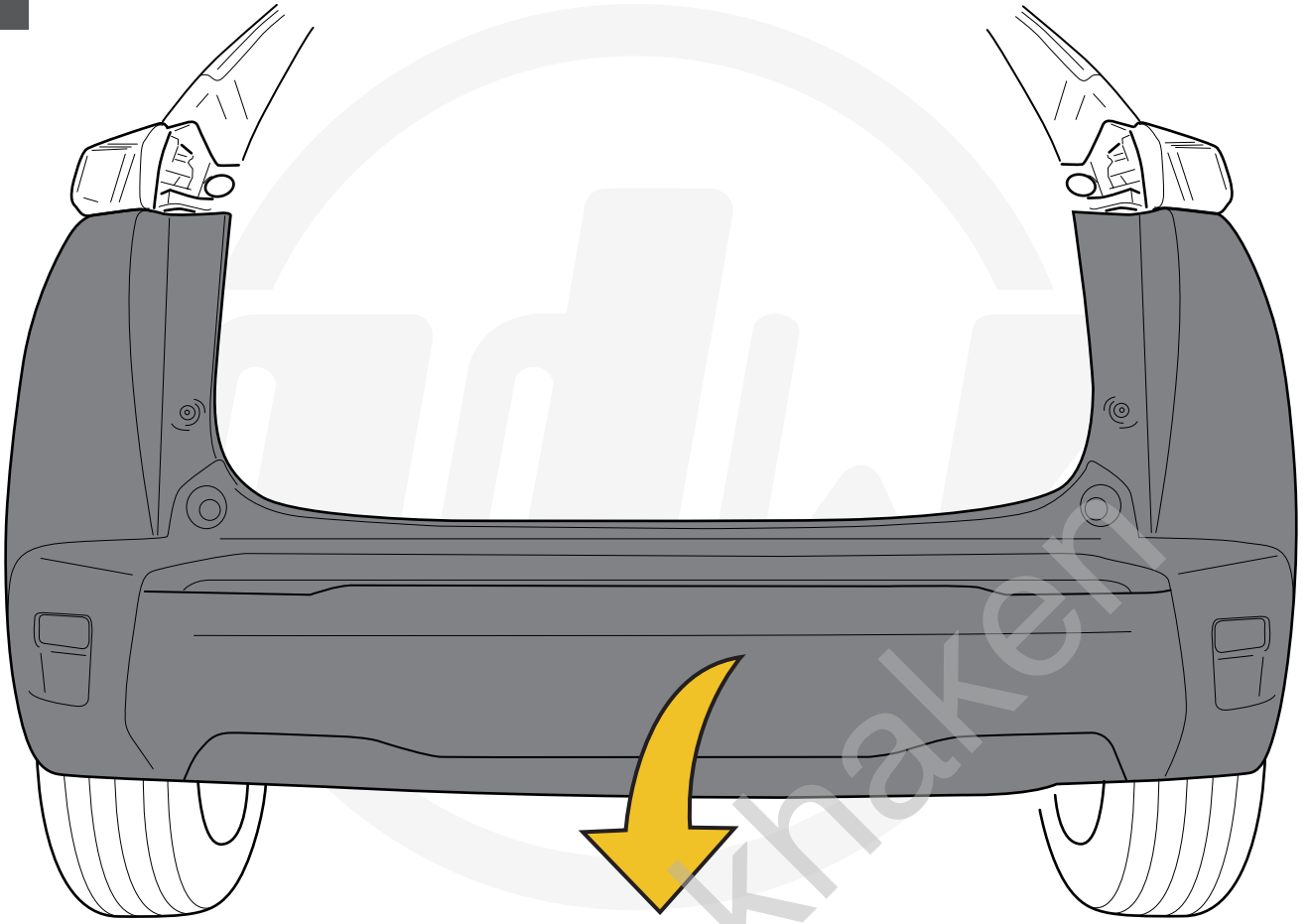
5



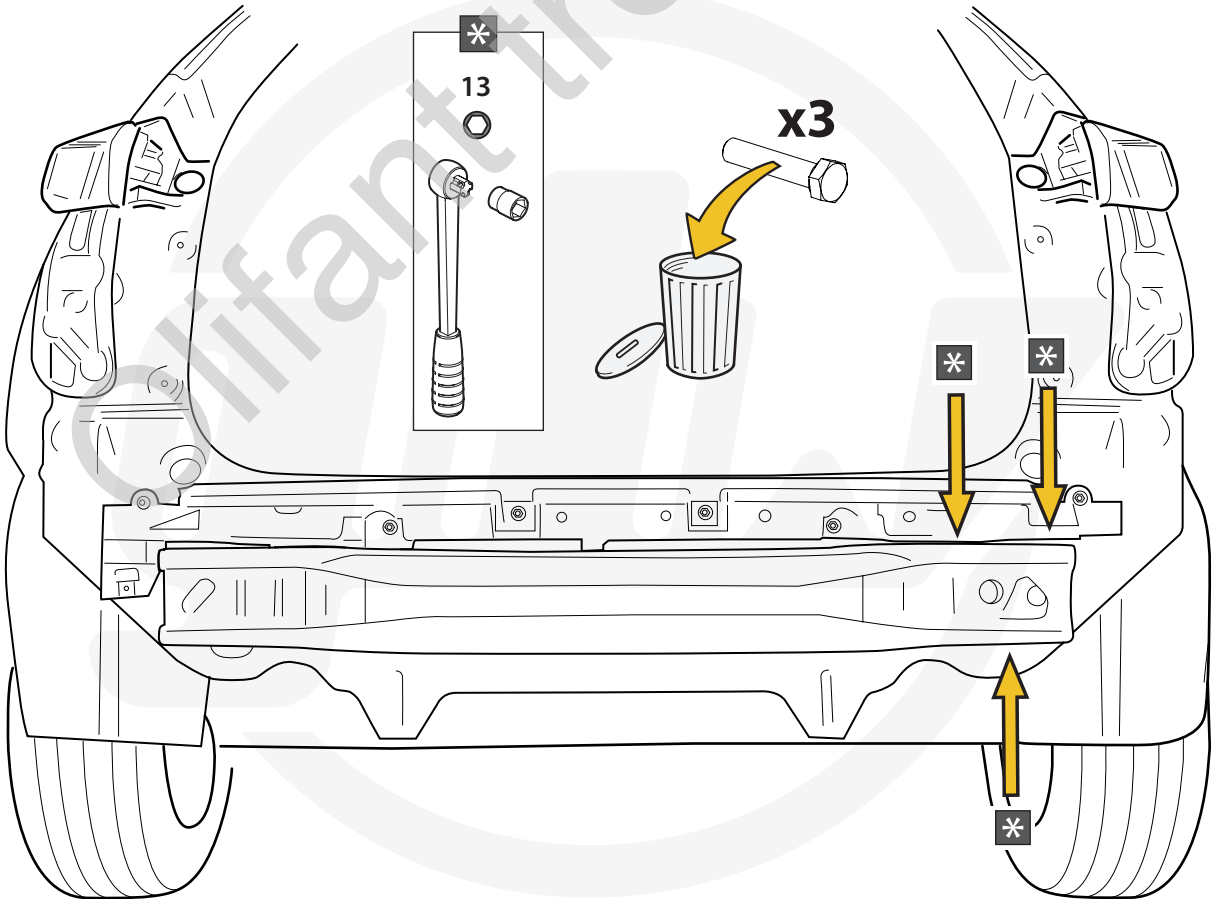
6

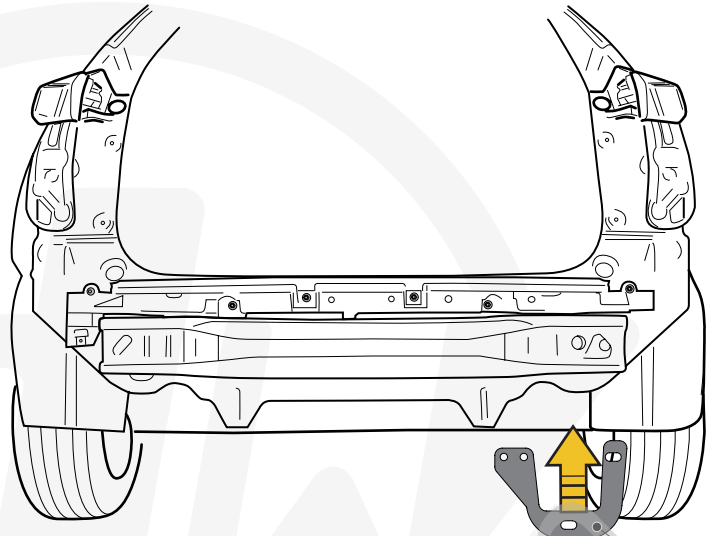
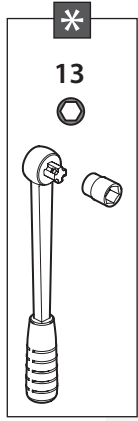


7

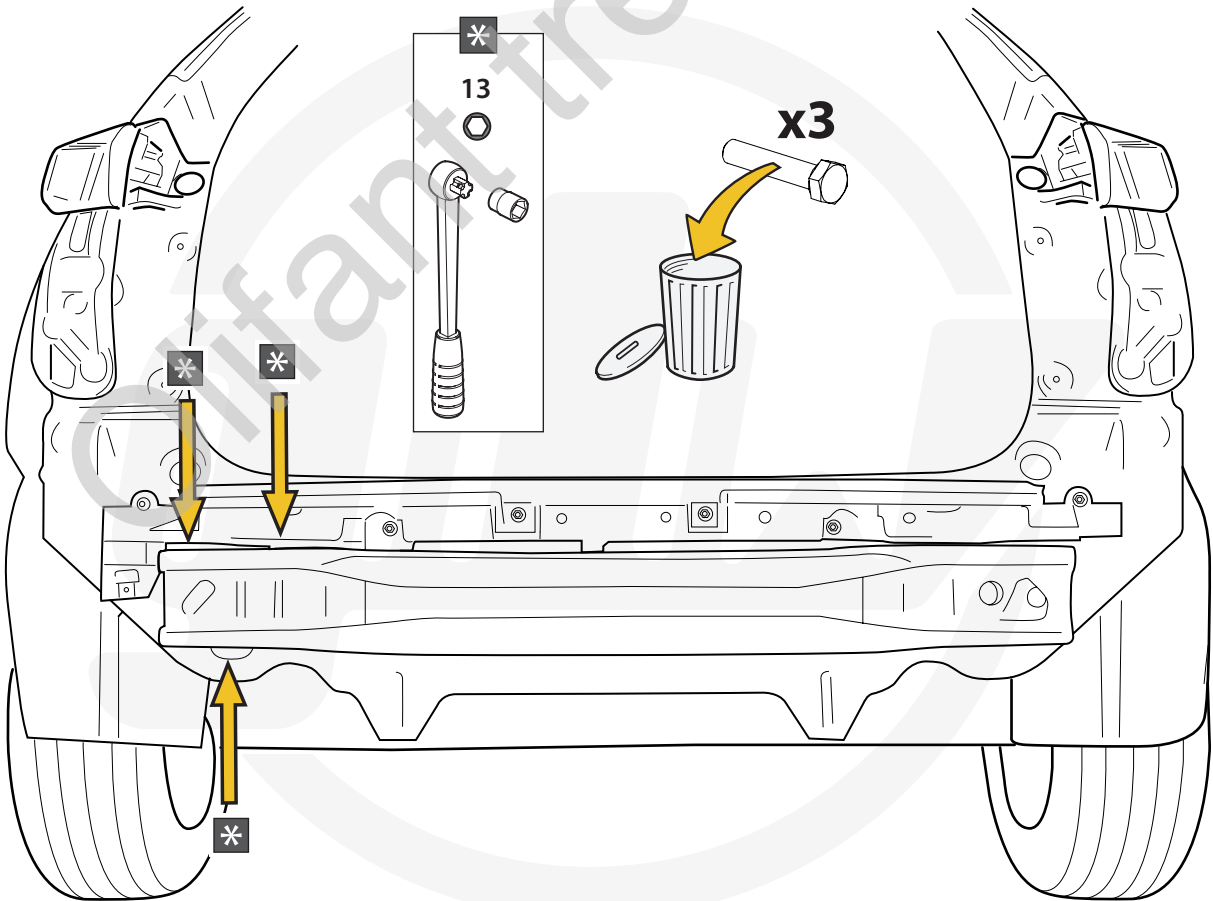
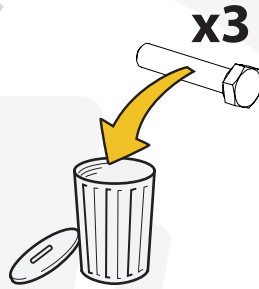
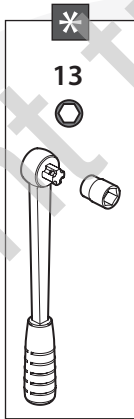
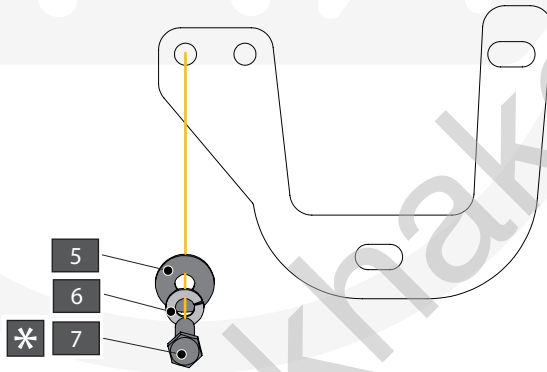


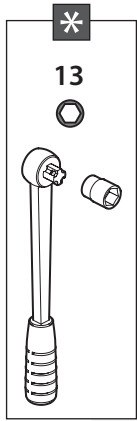
8



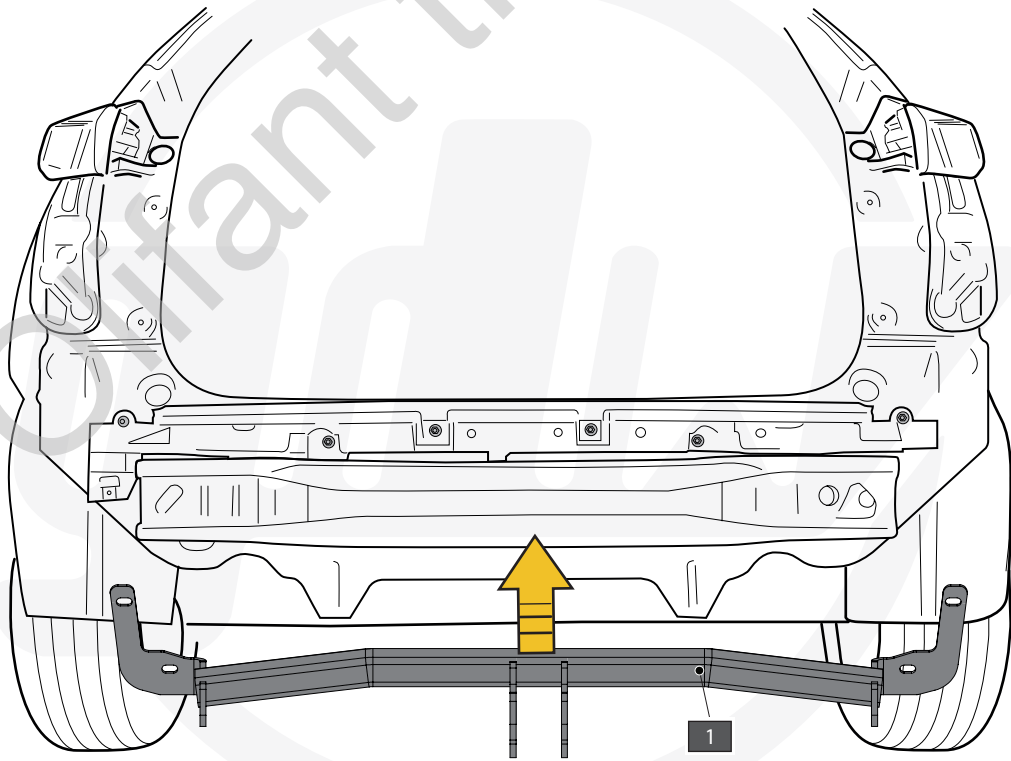
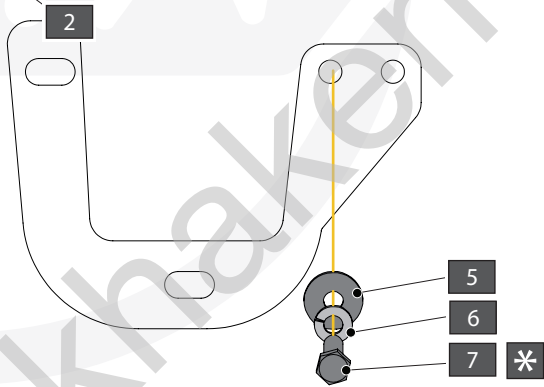
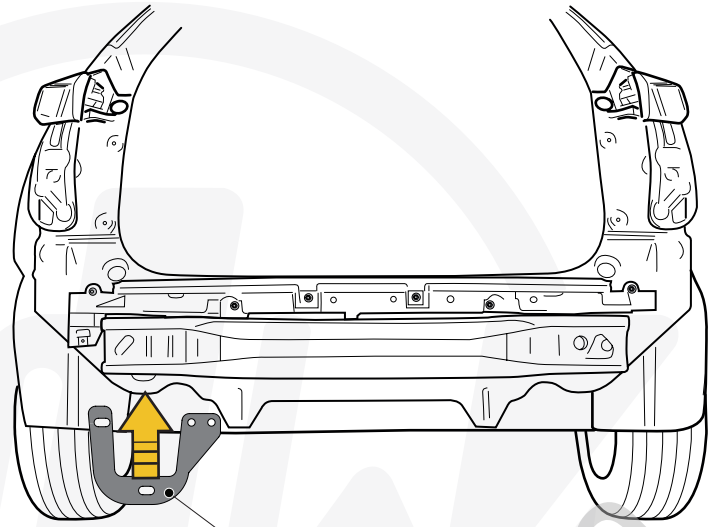


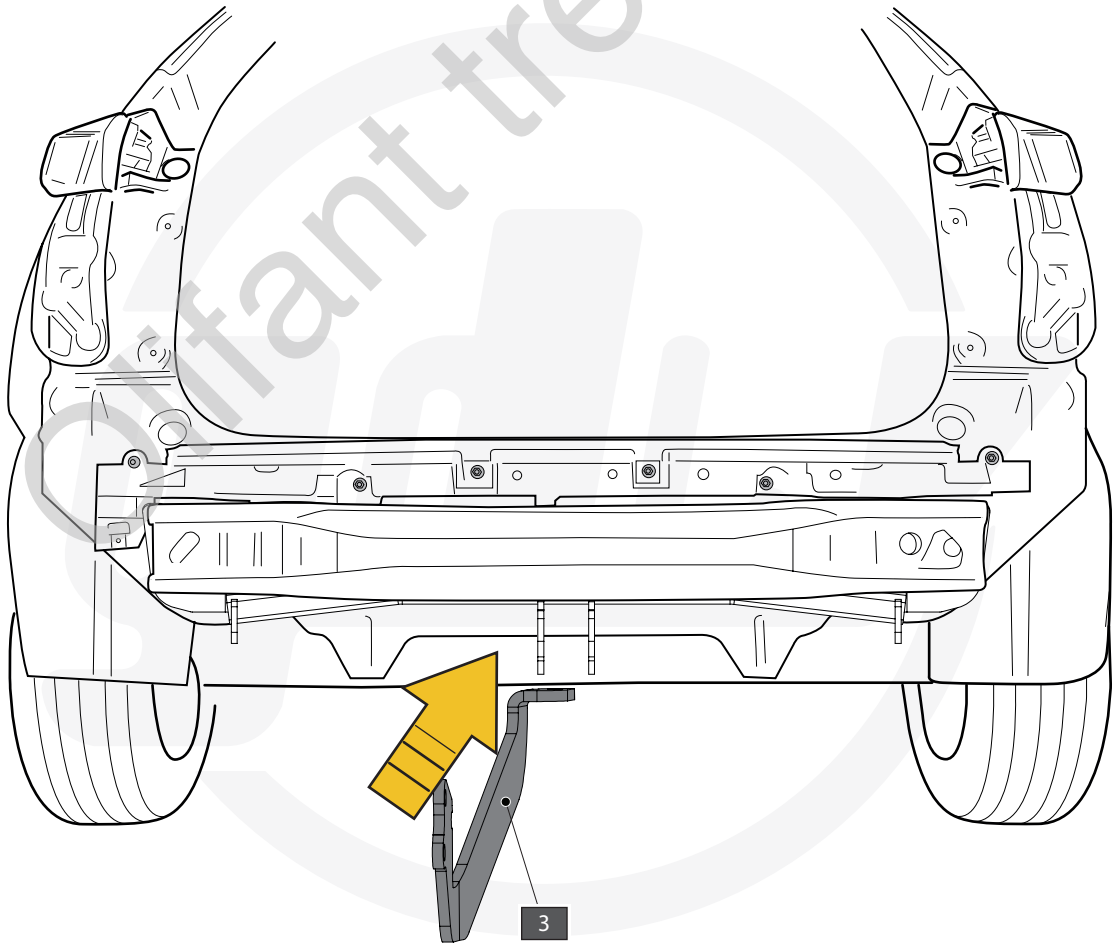
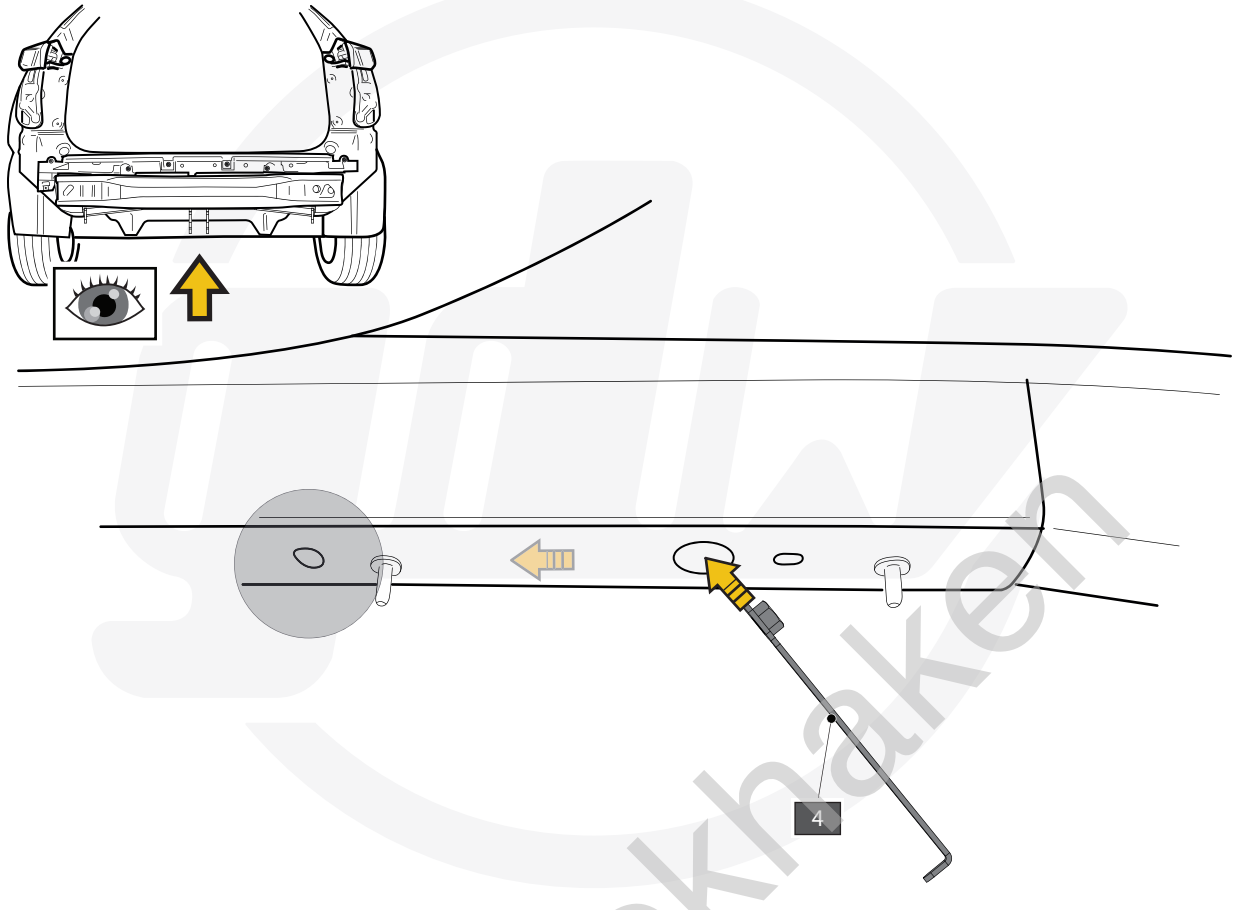
2



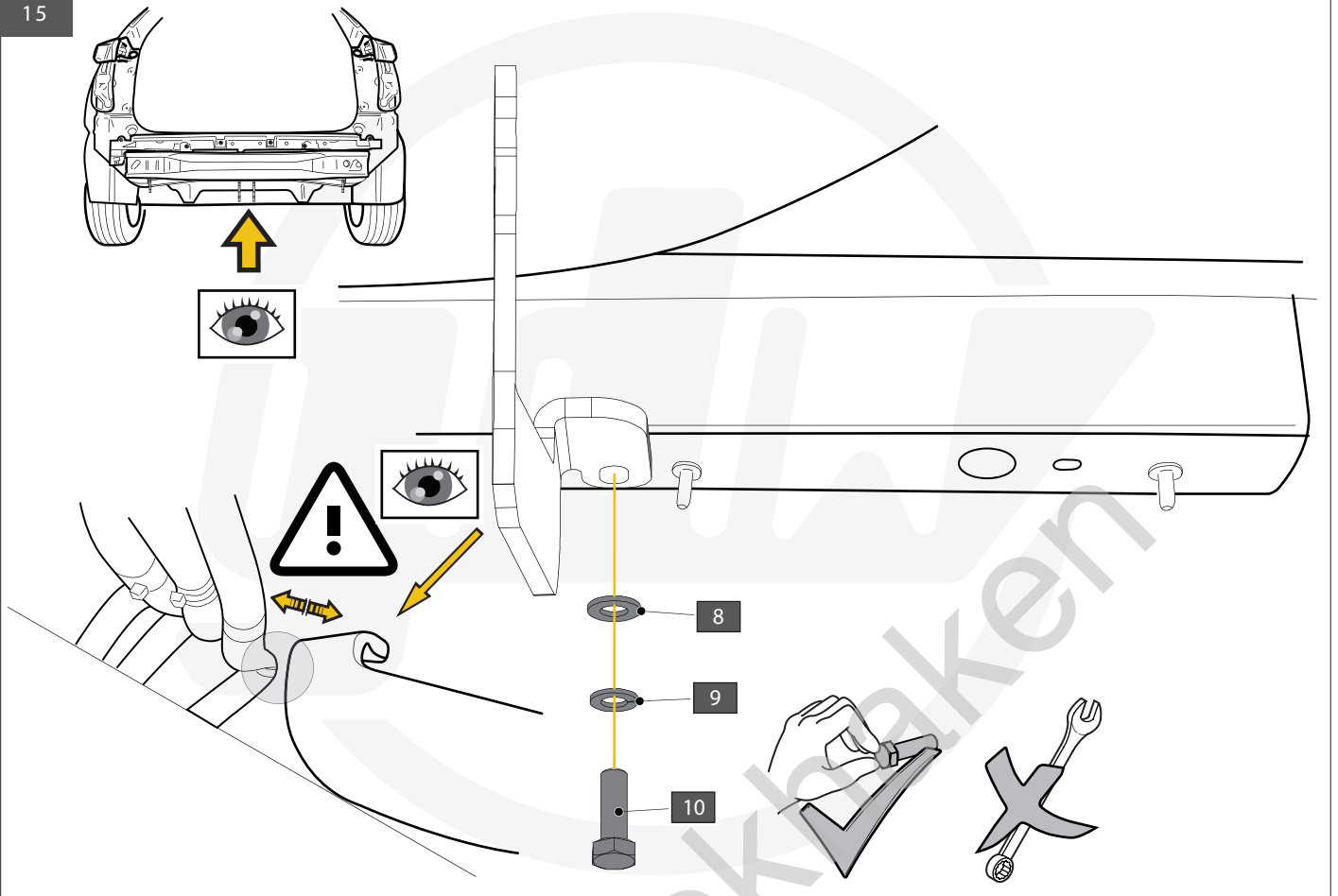


27,3 Nm

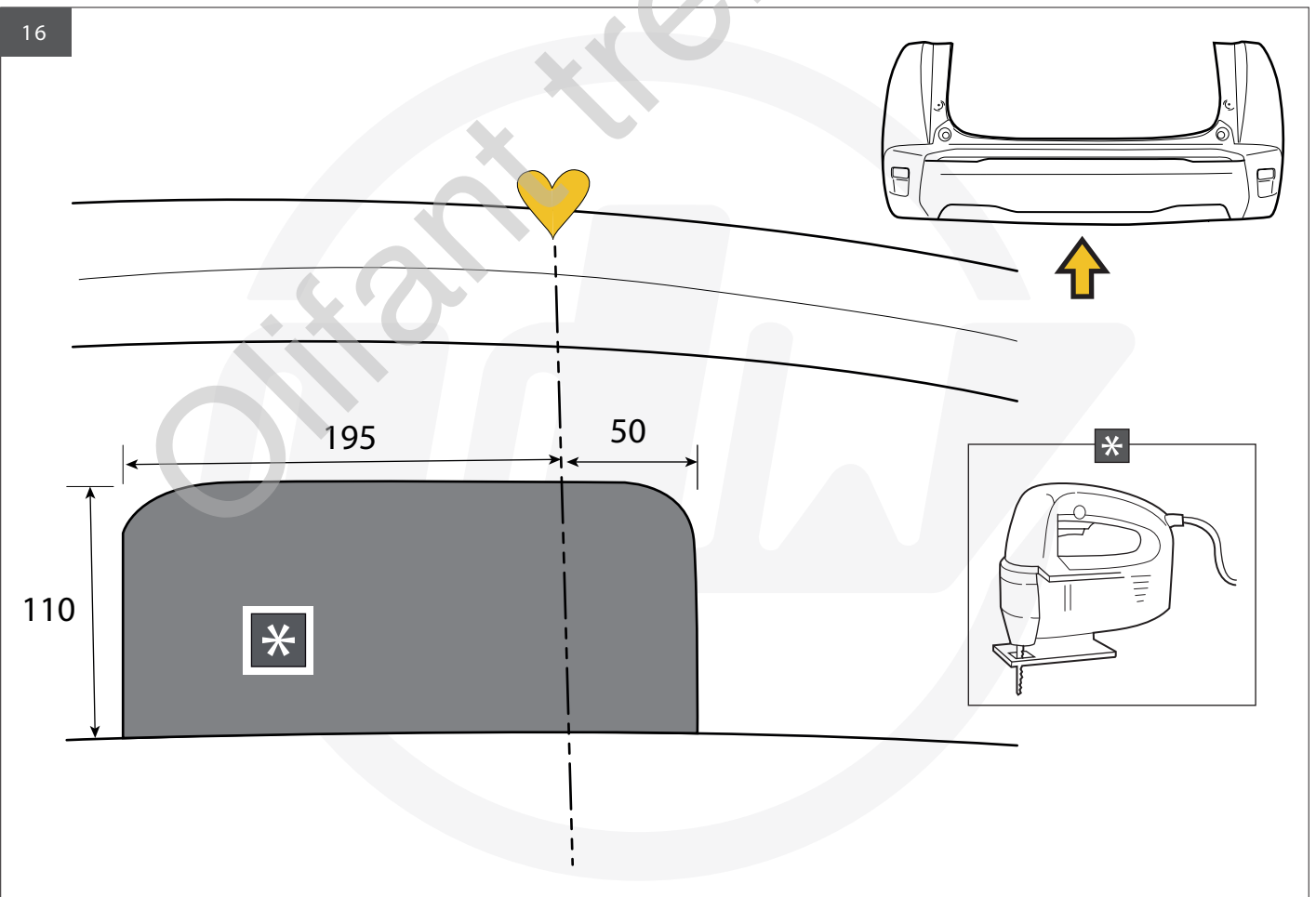


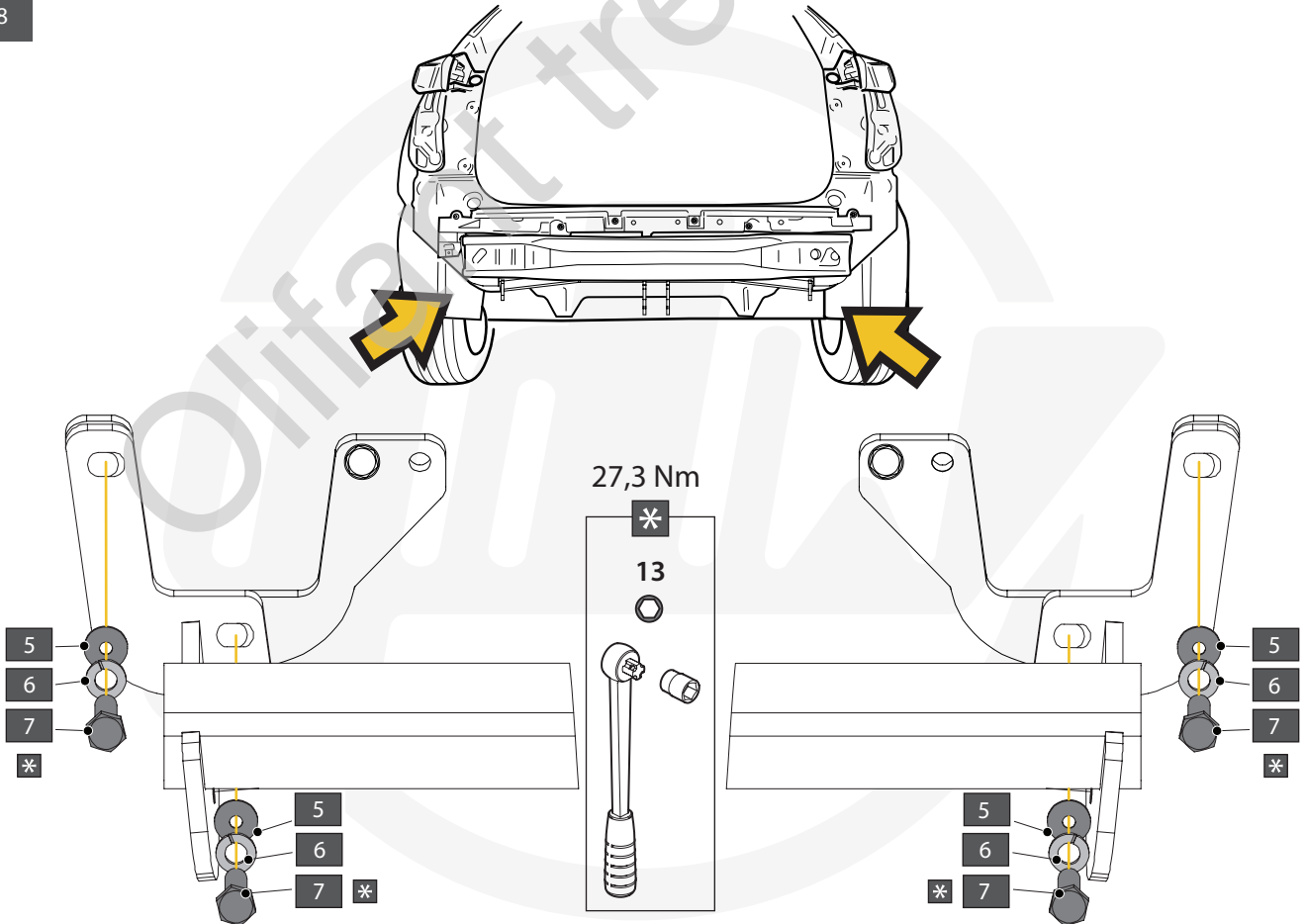
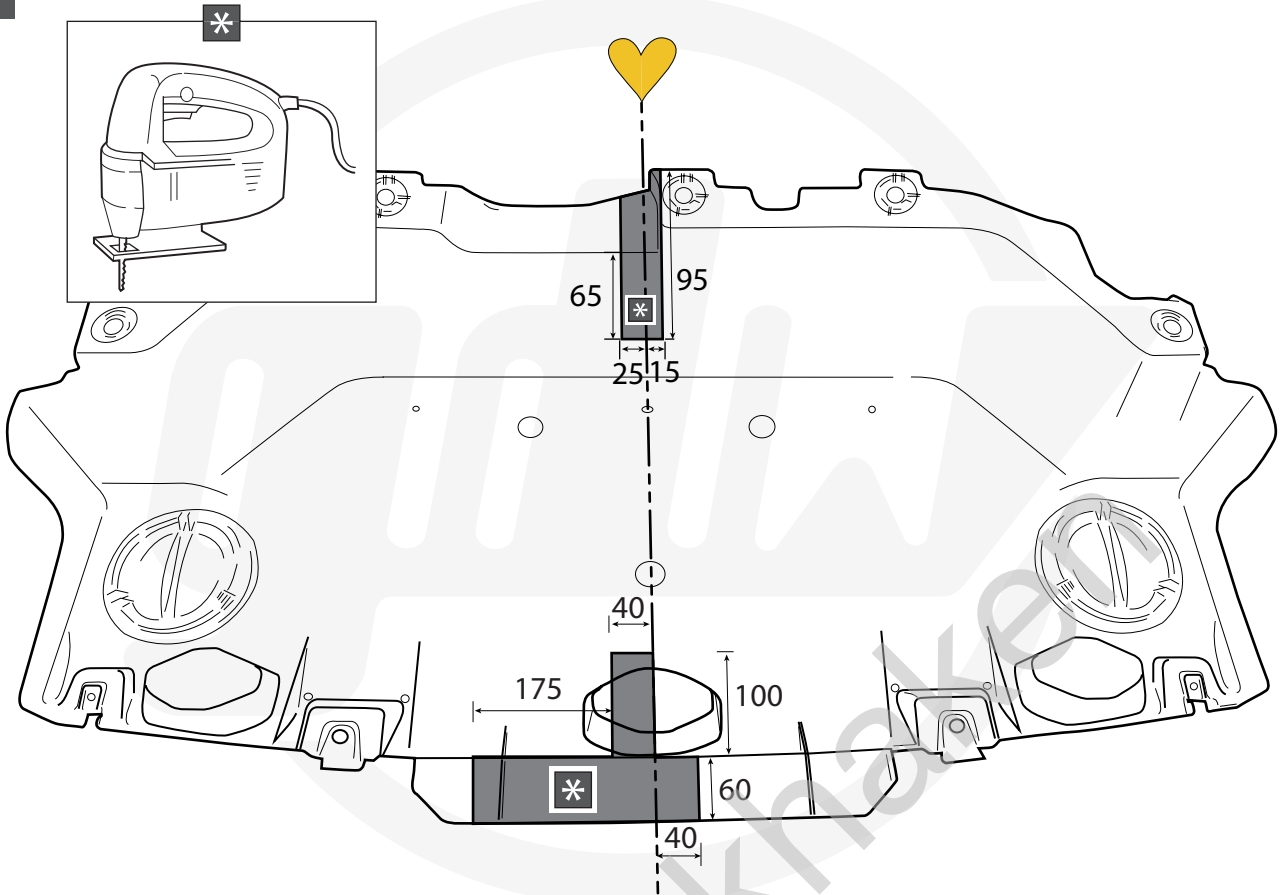


15



16





A		X1	GDW REF. 908.095
B		X1	DIN985-M6
C		X2	6,2 X 15,4 X 1,6 (NYLON)
D		X1	GDW REF. 718.16.002
E		X1	GDW REF. 718.16.003
F		X1	GDW REF. 908.094
G		X1	DIN933-M6 X 30

**10**  
  
 2,0 Nm

A		X1	GDW REF. 912.003
B		X3	DIN931-M12X110-8.8
C		X3	DIN128A-M12
D		X6	DIN125A-M12
E		X3	DIN934-M12

**19**  
  
 93,0 Nm



