

AUTO-HAK Sp. z o.o.

ul. Słoneczna 16K 76-200 SŁUPSK
POLAND

tel/fax +48 59 8 414 414; +48 59 8 414 413

e-mail: office@autohak.com.pl

www.autohak.com.pl



AUTO-HAK

⇒ **PEUGEOT PARTNER I**
OSOBOWY, DOSTAWCZY

🕒 06.1996 → 12.2002

🕒 01.2003 → 12.2009

⇒ **CITROEN BERLINGO I**
OSOBOWY, DOSTAWCZY ~~DANGEL 4x4~~

🕒 10.1996 → 12.2002

🕒 01.2003 → 12.2009

Nr kat.

F13

e20

e 20 * 94 / 20 * 0028 * 00

D

6,86 kN



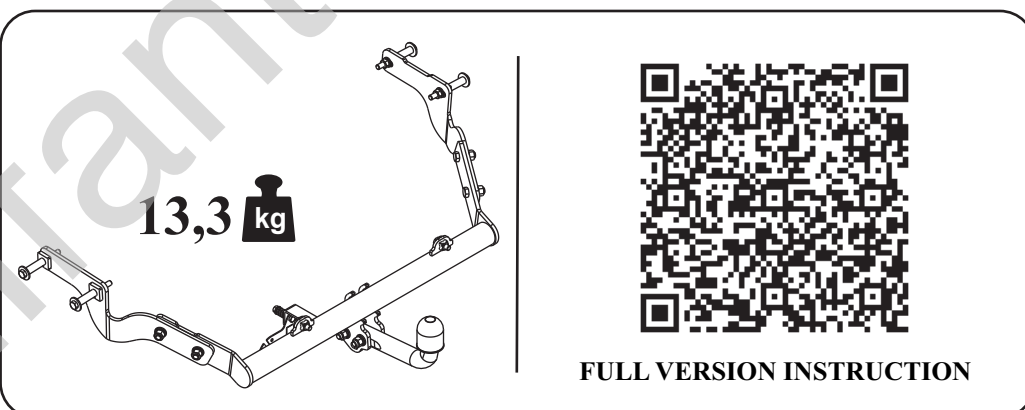
R=1100 kg



S=70 kg



2h



FULL VERSION INSTRUCTION



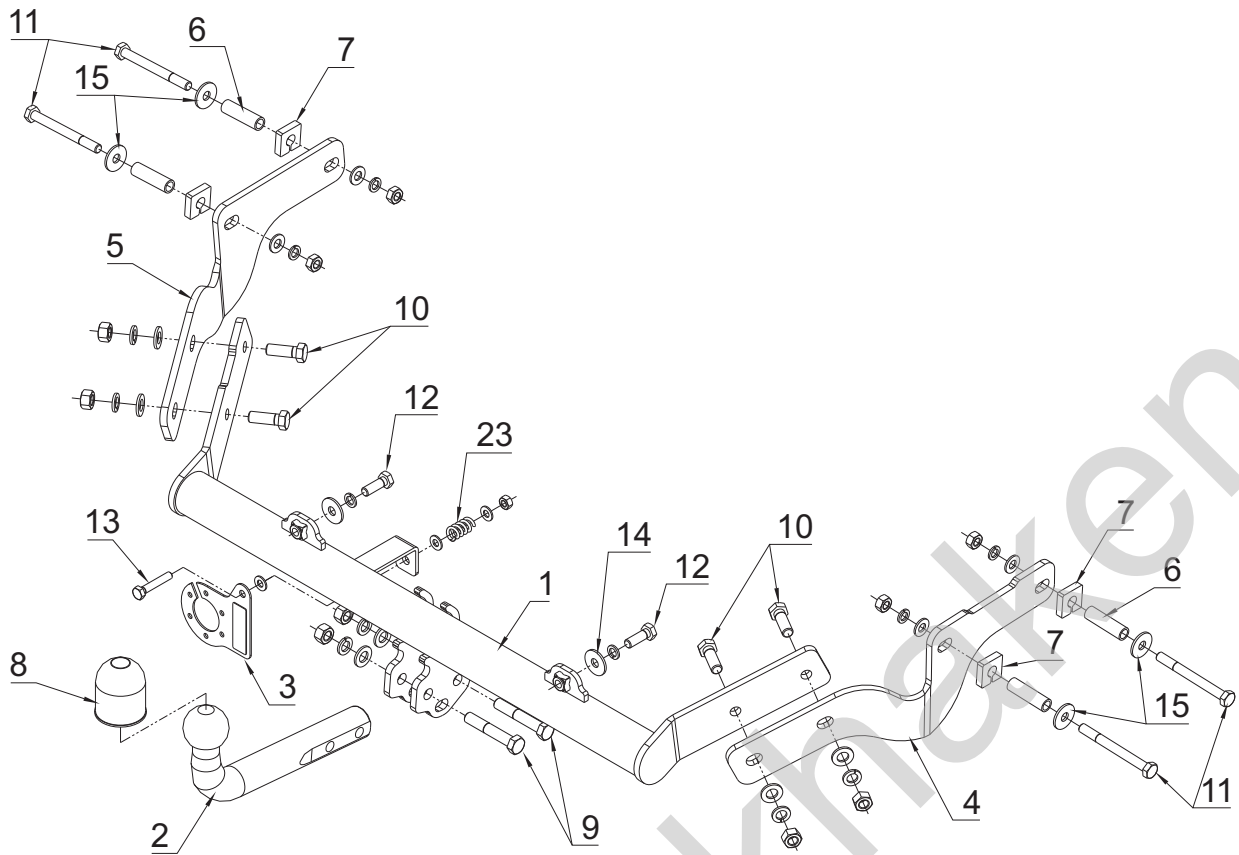
śruba	Nm	M6	M8	M10	M12	M14	M16
klasa 8.8		9,9	24	48	83	132	200
klasa 10.9		14	34	67	117	185	285

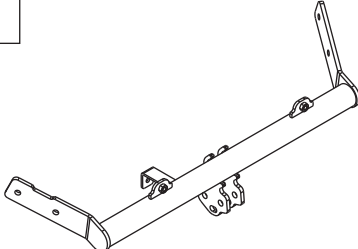

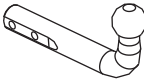



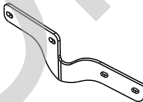

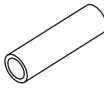
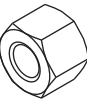
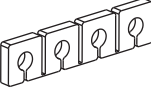


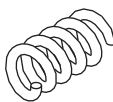


0 km

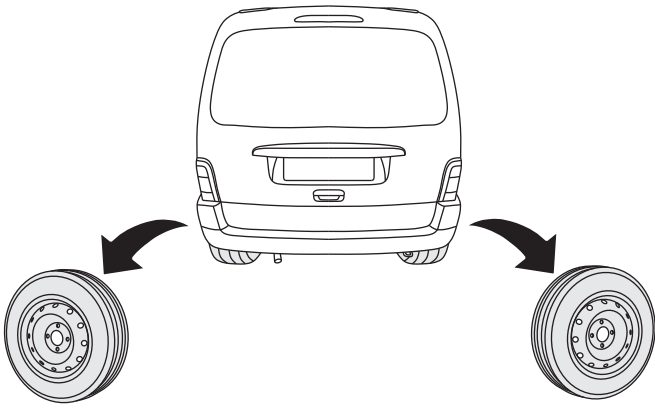


1000 km

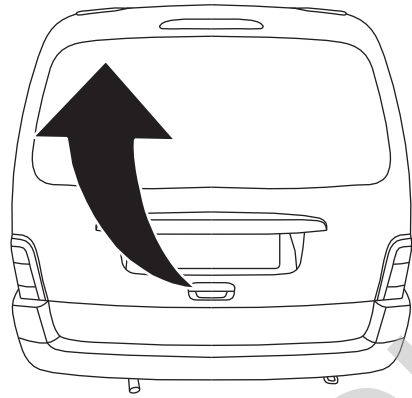


1		x1		9 M12x70	x2
				10 M12x35	x4
				11 M10x100	x4
				12 M10x30	x2
				13 M8x45	x1
2		x1 Art.nr-KL1F13		14 $\varnothing 13$	x6
3		x1 Art.nr-BL13F13		15 $\varnothing 30 \times \varnothing 10.5 \times 2.5$ 10 (DIN 9021)	x6
4		x1		16 $\varnothing 10.5$	x4
5		x1		17 $\varnothing 8.4$	x3
				18 $\varnothing 12.2$	x6
				19 $\varnothing 10.2$	x6
6		x4 $\varnothing 15 \times 2 \text{mm}, L=52 \text{mm}$		20 M12	x6
				21 M10	x4
7		x1		22 M8 (DIN985)	x1
8		x1	23		x1

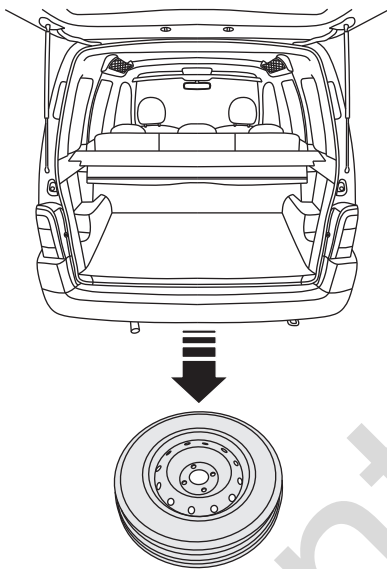
01



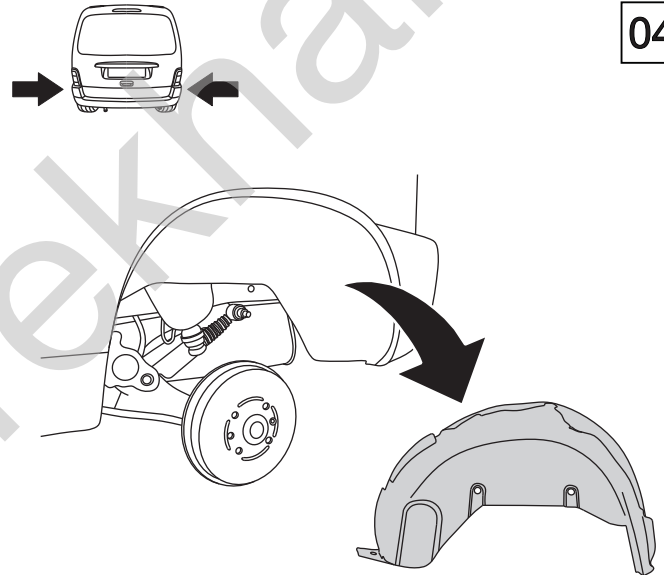
02



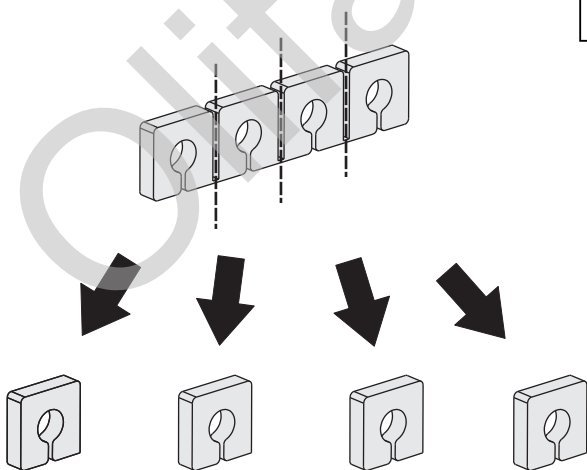
03



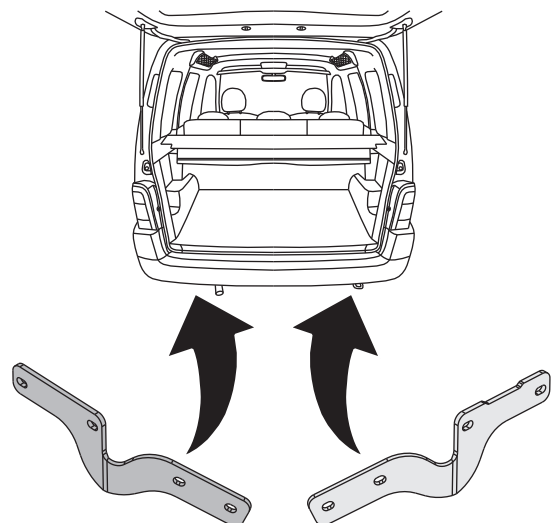
04




05




06

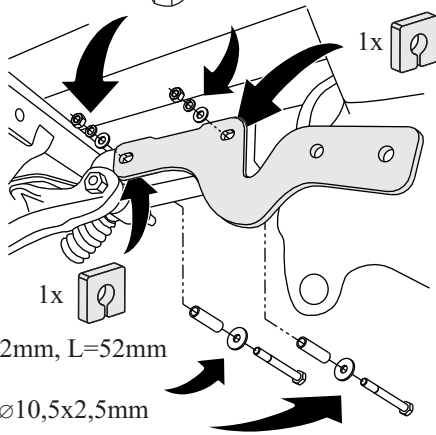
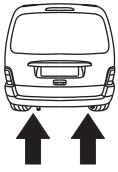



07

2x  $\varnothing 10,5\text{mm}$

2x  $\varnothing 10,2\text{mm}$

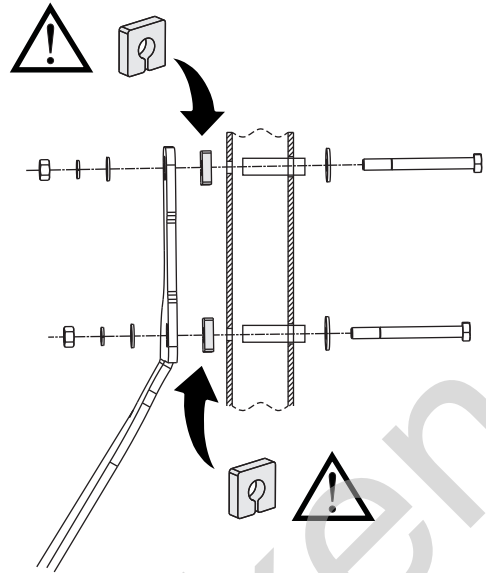
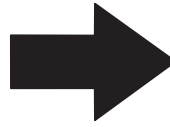
2x  M10



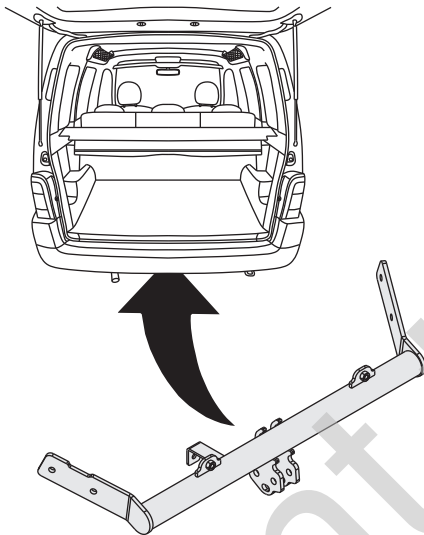
2x  $\varnothing 15 \times 2\text{mm}, L=52\text{mm}$

2x  $\varnothing 30 \times \varnothing 10,5 \times 2,5\text{mm}$

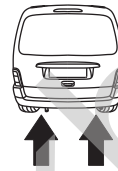
2x  M10x80mm



08



09

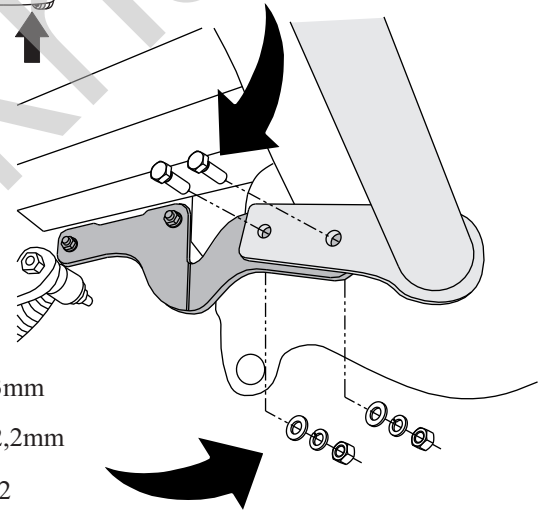


2x  M12x35mm

2x  $\varnothing 13\text{mm}$

2x  $\varnothing 12,2\text{mm}$


2x  M12




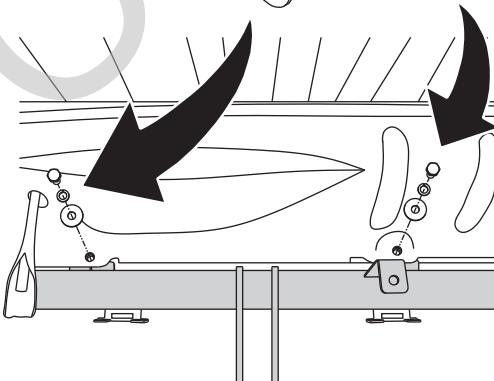
10



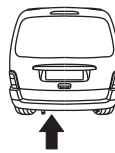
2x  M10x30mm

2x  $\varnothing 10,2\text{mm}$

2x  $\varnothing 30 \times \varnothing 10,5 \times 2,5\text{mm}$



11



1x  M8x45mm

1x 

2x  $\varnothing 8,4\text{mm}$

1x  M8(DIN985)

1x  $\varnothing 8,4\text{mm}$

