

AUTO-HAK Sp. z o.o.

ul. Słoneczna 16K 76-200 SŁUPSK
POLAND

tel/fax +48 59 8 414 414; +48 59 8 414 413


e-mail: office@autohak.com.pl

www.autohak.com.pl



AUTO-HAK

PEUGEOT 208 I 3/5D

 **04.2012 → 05.2019**

CITROEN C3 III 5D

 **07.2016 →**

Nr kat.

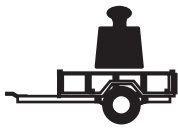
F41

e20 e20*94/20*1678*00



2h

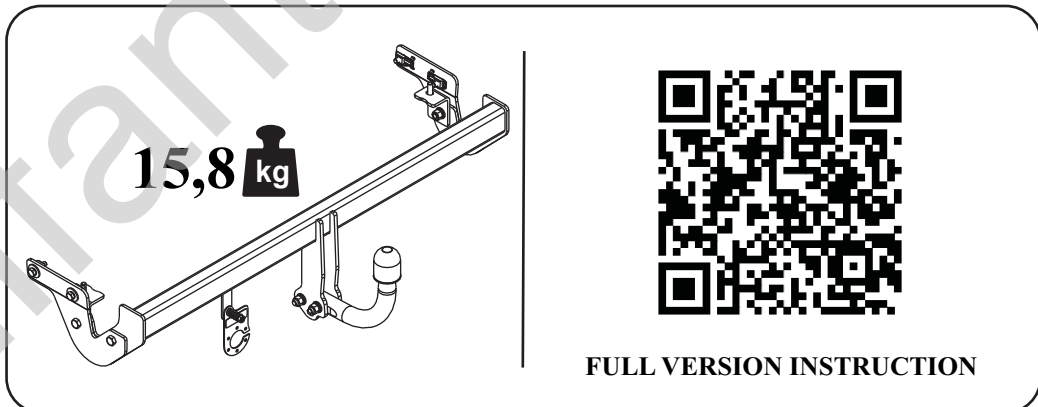
D 8,1 kN




R=1200 kg

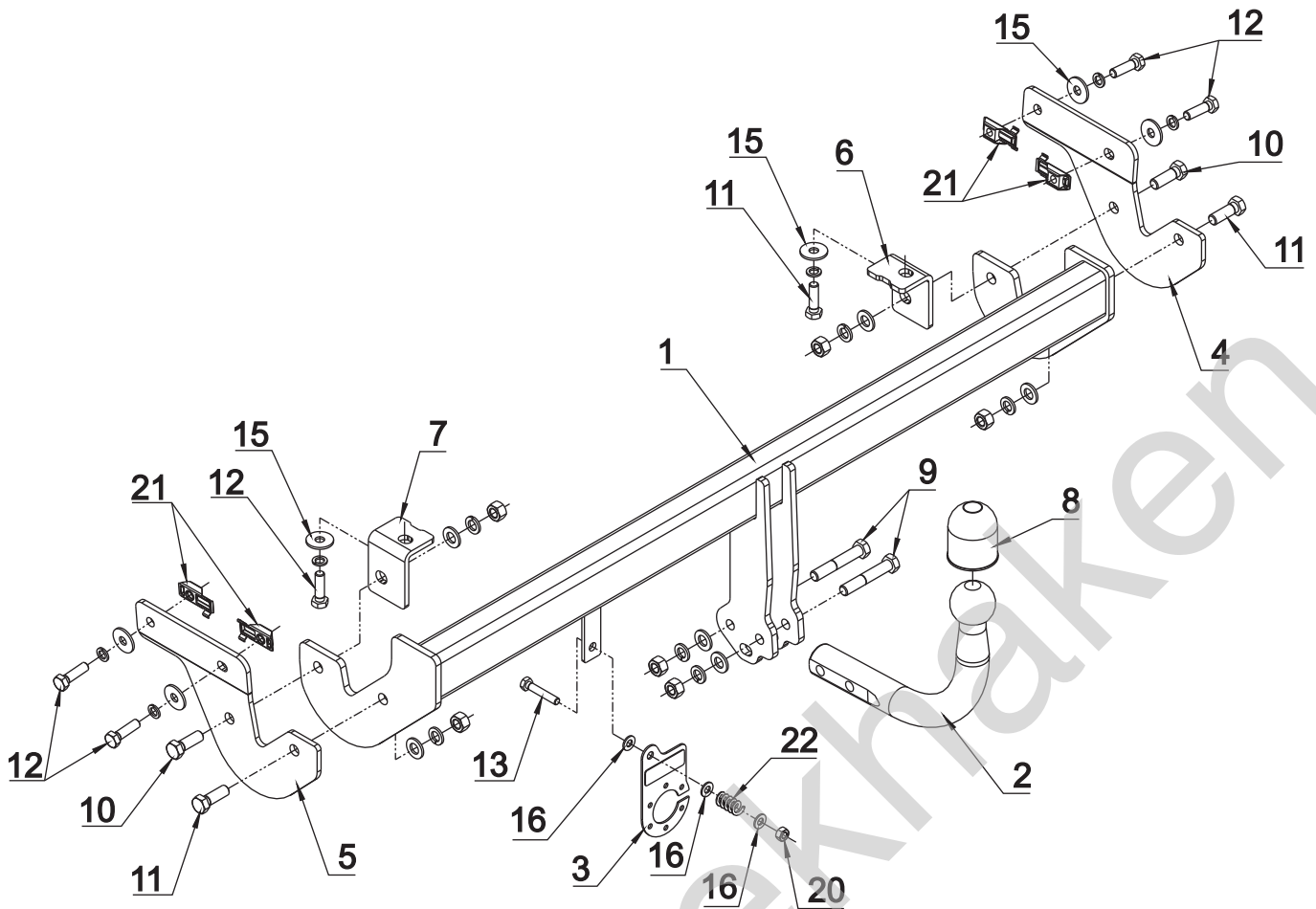


S=50 kg



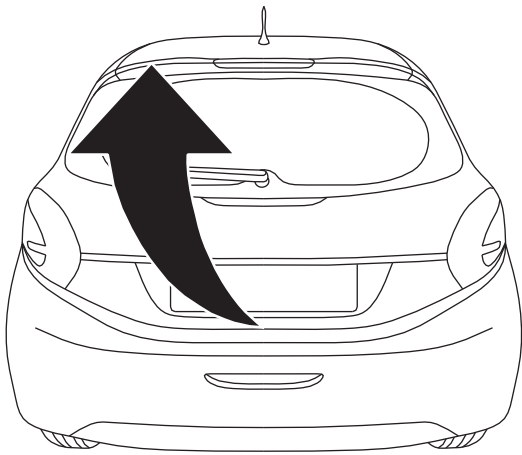
śruba	Nm	M6	M8	M10	M12	M14	M16
klasa 8.8		9,9	24	48	83	132	200
klasa 10.9		14	34	67	117	185	285

 **0 km** →  **1000 km**

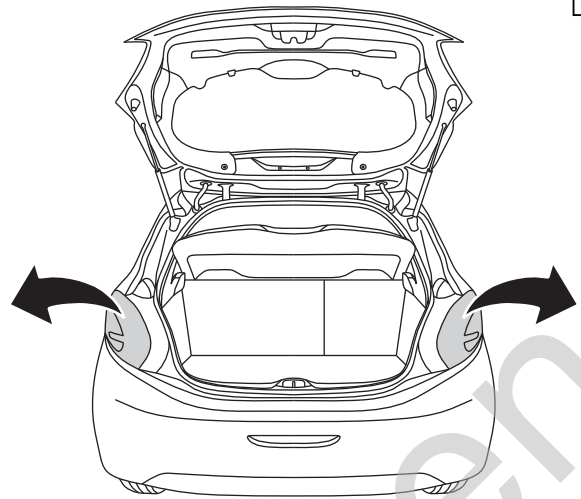


1		x 1		9 M12x70	x 2
				10 M12x45	x 2
				11 M12x35	x 2
				12 M10x35	x 6
				13 M8x45	x 1
2		x 1		14 \varnothing 13	x 6
	Art.nr-KL1F41			15 \varnothing 30x \varnothing 10.5x2.5 10 (DIN 9021)	x 6
3		x 1		16 \varnothing 8.4	x 3
	Art.nr-BL1F41			17 \varnothing 12.2	x 6
4		x 1		18 \varnothing 10.2	x 6
5		x 1		19 M12	x 6
				20 M8	x 1
6		x 1		21 M10	x 4
7		x 1	22		x 1
8		x 1			

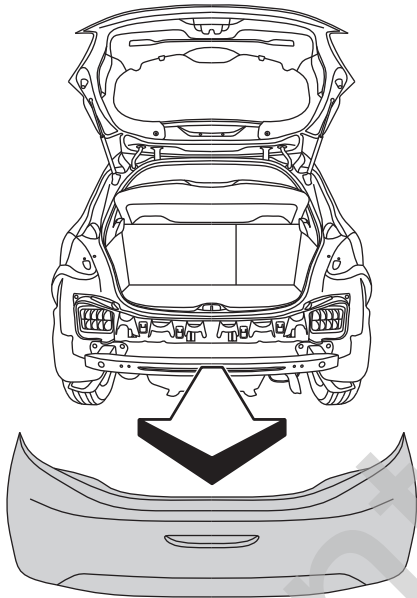
01



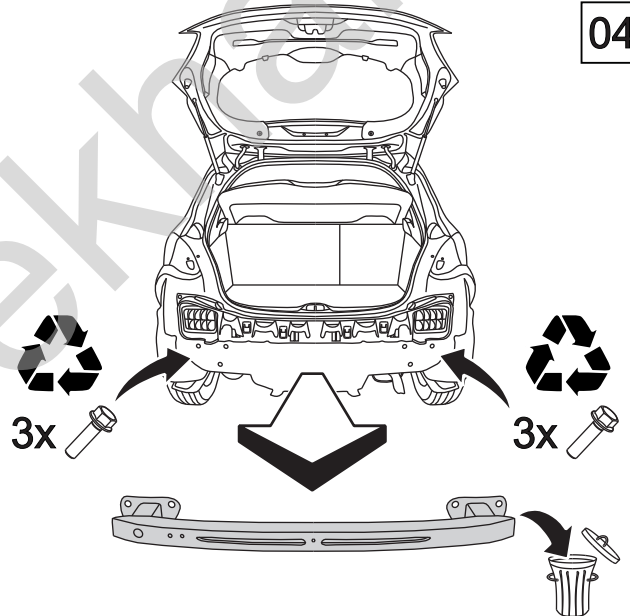
02



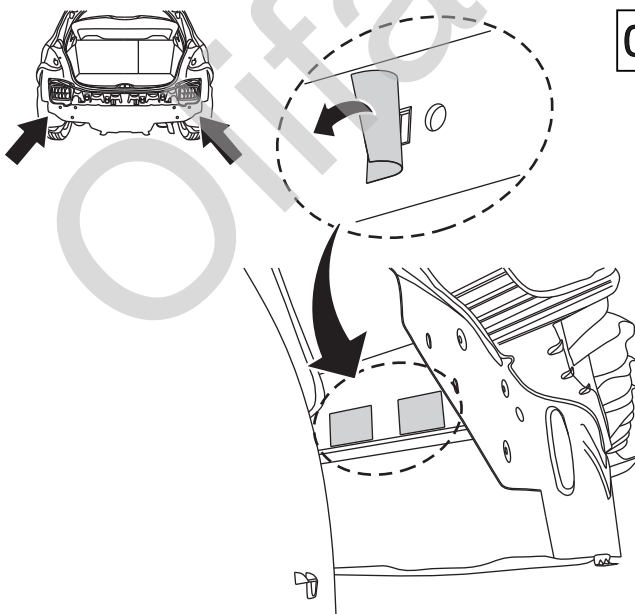
03



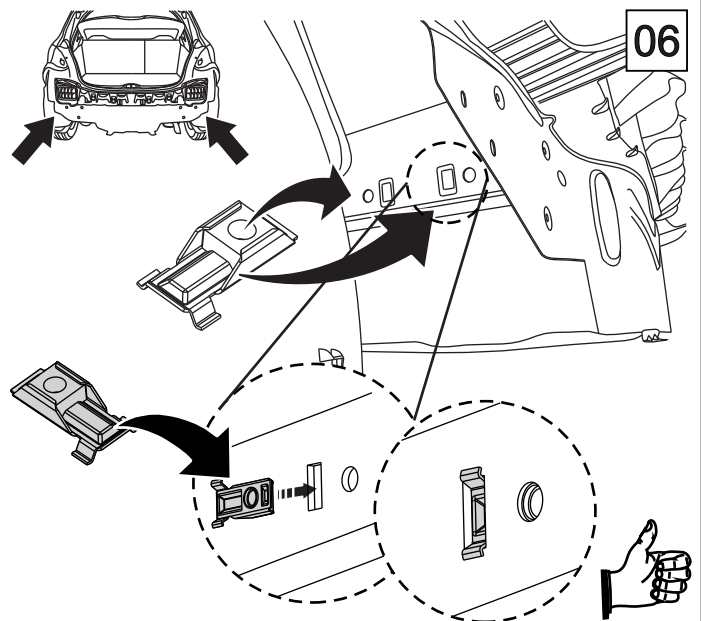
04



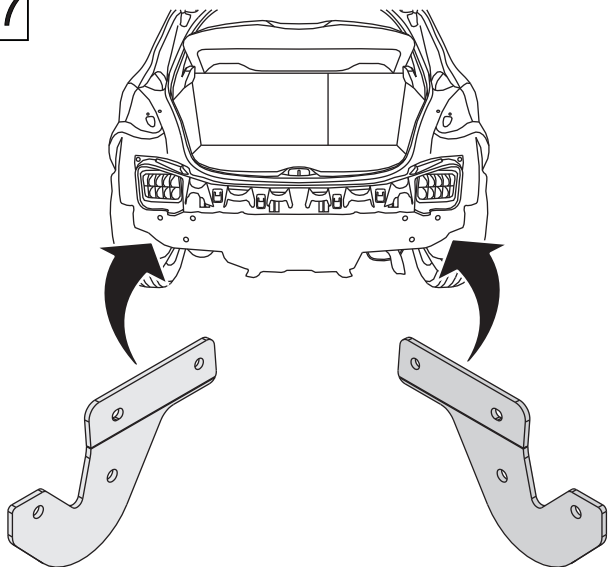
05



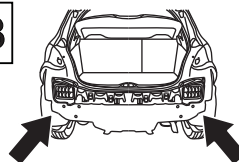
06






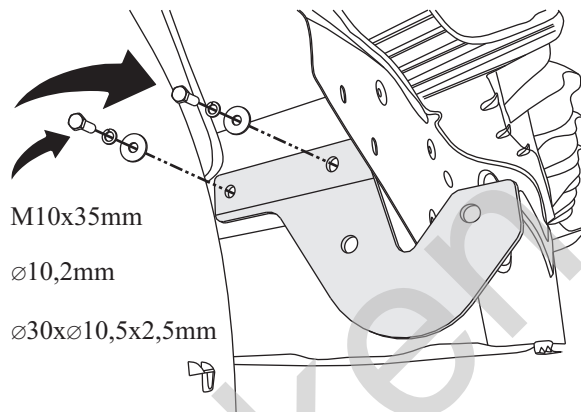
07



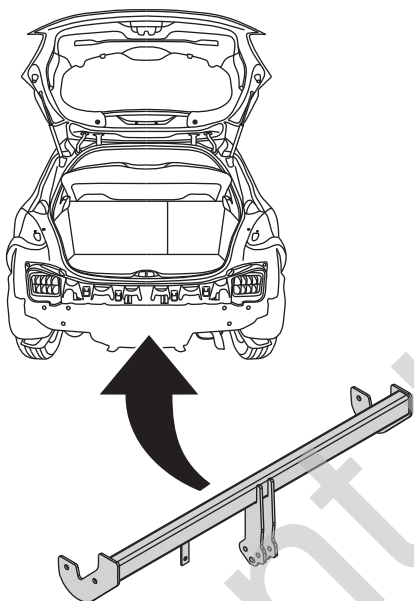
08



- 2x  M10x35mm
- 2x  $\varnothing 10,2\text{mm}$
- 2x  $\varnothing 30 \times 10,5 \times 2,5\text{mm}$

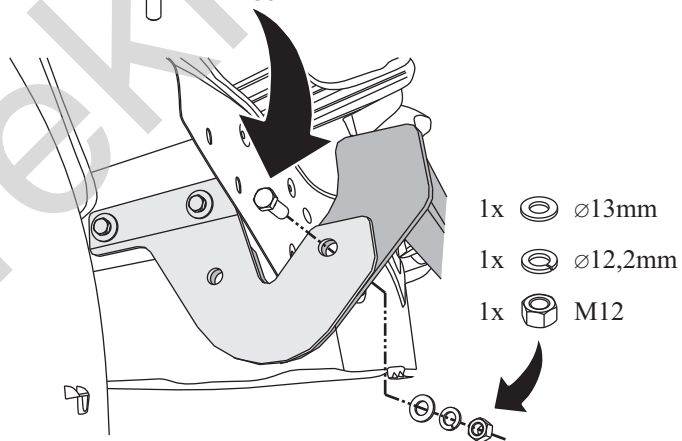
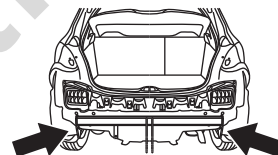


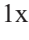
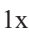

09



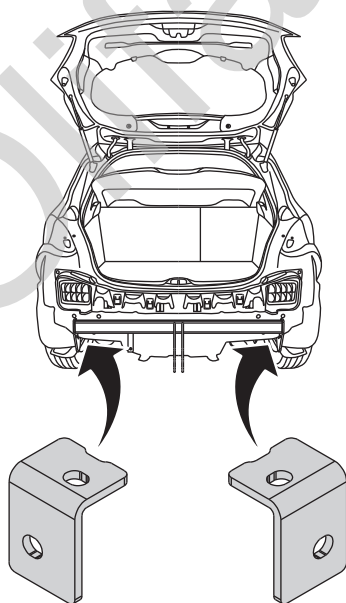
10

- 1x  M12x35mm



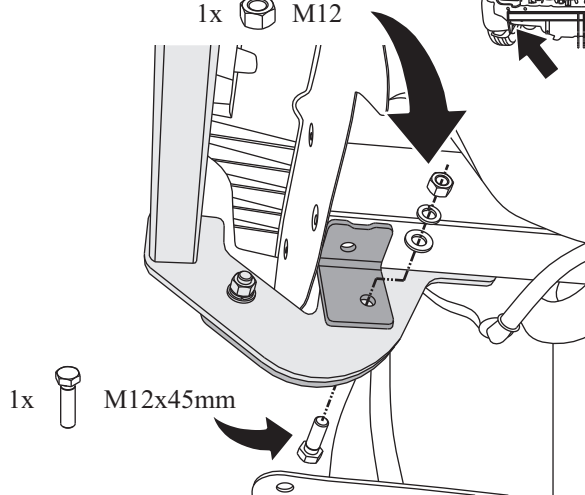
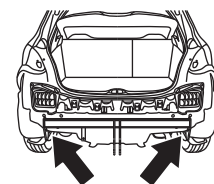
- 1x  $\varnothing 13\text{mm}$
- 1x  $\varnothing 12,2\text{mm}$
- 1x  M12

11



12

- 1x  $\varnothing 13\text{mm}$
- 1x  $\varnothing 12,2\text{mm}$
- 1x  M12



- 1x  M12x45mm

