

# AUTO-HAK Sp. z o.o.

ul. Słoneczna 16K 76-200 SŁUPSK  
POLAND

tel/fax +48 59 8 414 414; +48 59 8 414 413


e-mail: [office@autohak.com.pl](mailto:office@autohak.com.pl)

[www.autohak.com.pl](http://www.autohak.com.pl)



# AUTO-HAK


## OPEL GRANDLAND X ~~HYBRID~~


 06.2017 → 05.2021

Nr kat.


**E66**


## OPEL GRANDLAND ~~HYBRID~~ ~~PLUG-IN-HYBRID~~

 06.2021 → 09.2024

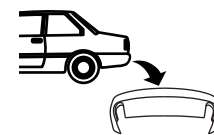

 **E20** E20-55R-01 5284

**D** 10,10 kN

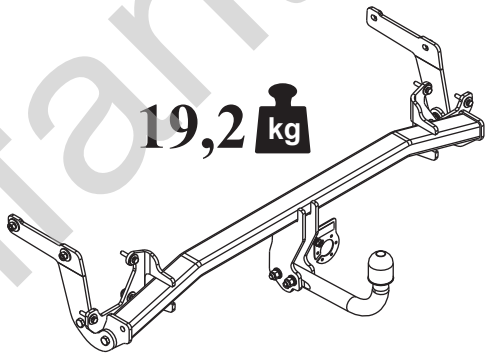
 **R=2000 kg**

 **S=100 kg**


  **2h**





**19,2 kg**

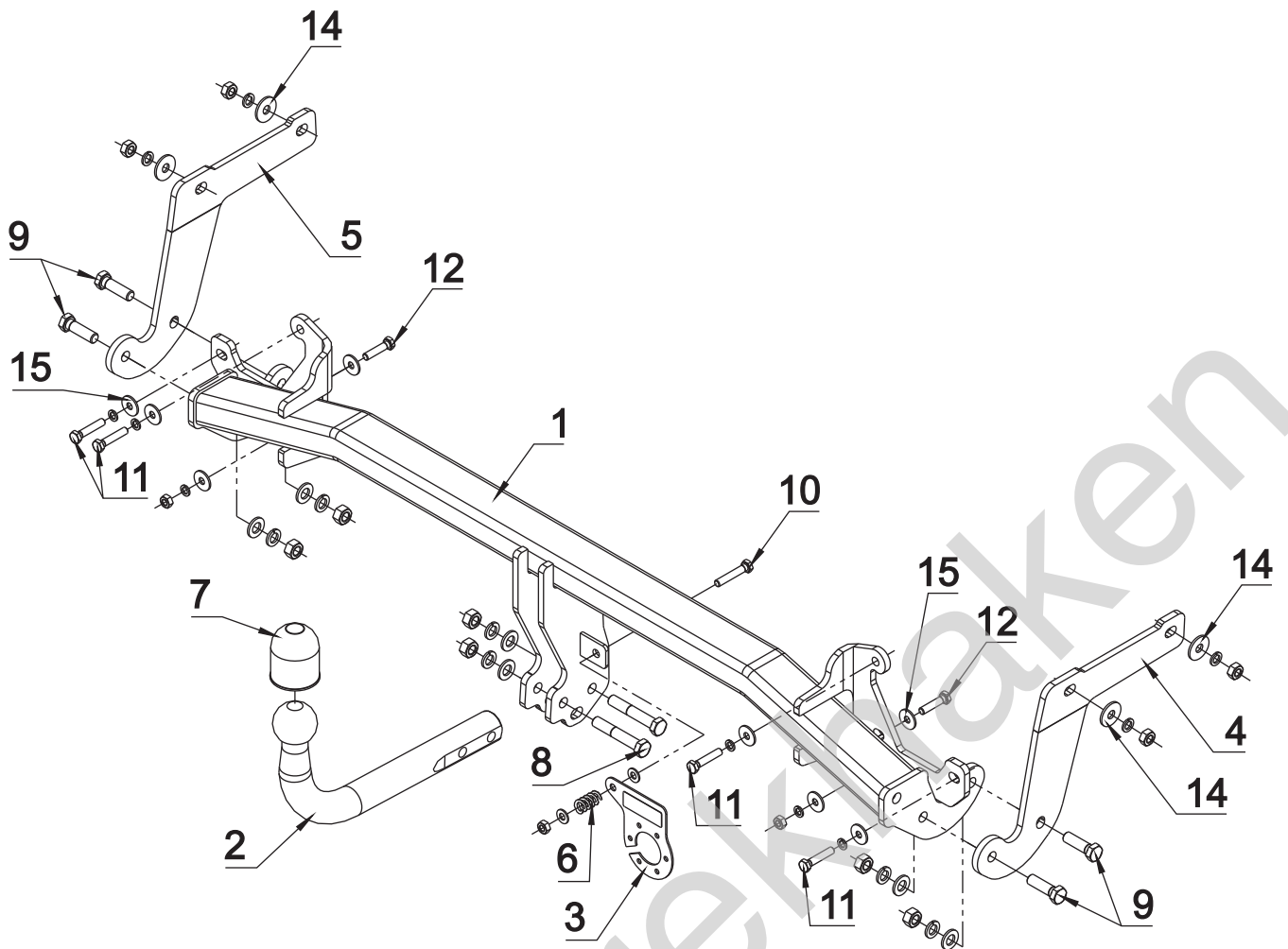


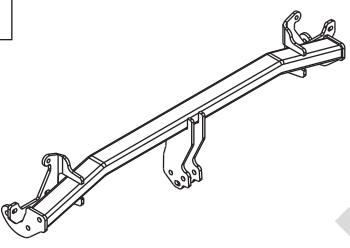

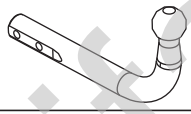





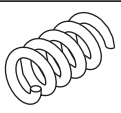

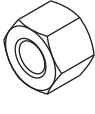
FULL VERSION INSTRUCTION



śruba	Nm	M6	M8	M10	M12	M14	M16
klasa 8.8		9,9	24	48	83	132	200
klasa 10.9		14	34	67	117	185	285

 0 km →  1000 km



1		x1		8	M12x70	x2
				9	M12x40	x4
				10	M8x45	x1
				11	M8x40	x4
				12	M8x35	x2
2		x1		13	∅ 13	x6
	Art.nr-KL1E66			14	∅ 30x∅10.5x2.5 10 DIN 9021	x4
3		x1		15	∅ 24x∅8.4x2 8 DIN 9021	x8
	Art.nr-BL1E66			16	∅ 8.5	x2
4		x1		17	∅ 12.2	x6
				18	∅ 10.2	x4
5		x1		19	∅ 8.2	x6
6		x1		20	M12	x6
7		x1		21	M10	x4
				22	M8	x3

