

AUTO-HAK Sp. z o.o.

ul. Słoneczna 16K 76-200 SŁUPSK
POLAND

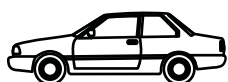
tel/fax +48 59 8 414 414; +48 59 8 414 413

e-mail: office@autohak.com.pl

www.autohak.com.pl



AUTO-HAK



FIAT MULTIPLA VAN (186)

Cat. no:

R26A



04.1999 → 08.2004

e20

e20*94/20*0504*00



2h

D

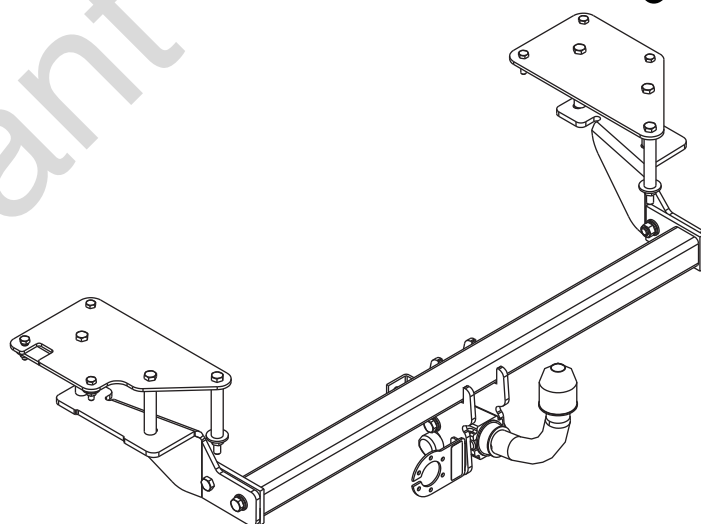
7,8 kN



R=1300 kg



S=70 kg



M6 - 11 Nm
M10 - 50 Nm
M14 - 138 Nm

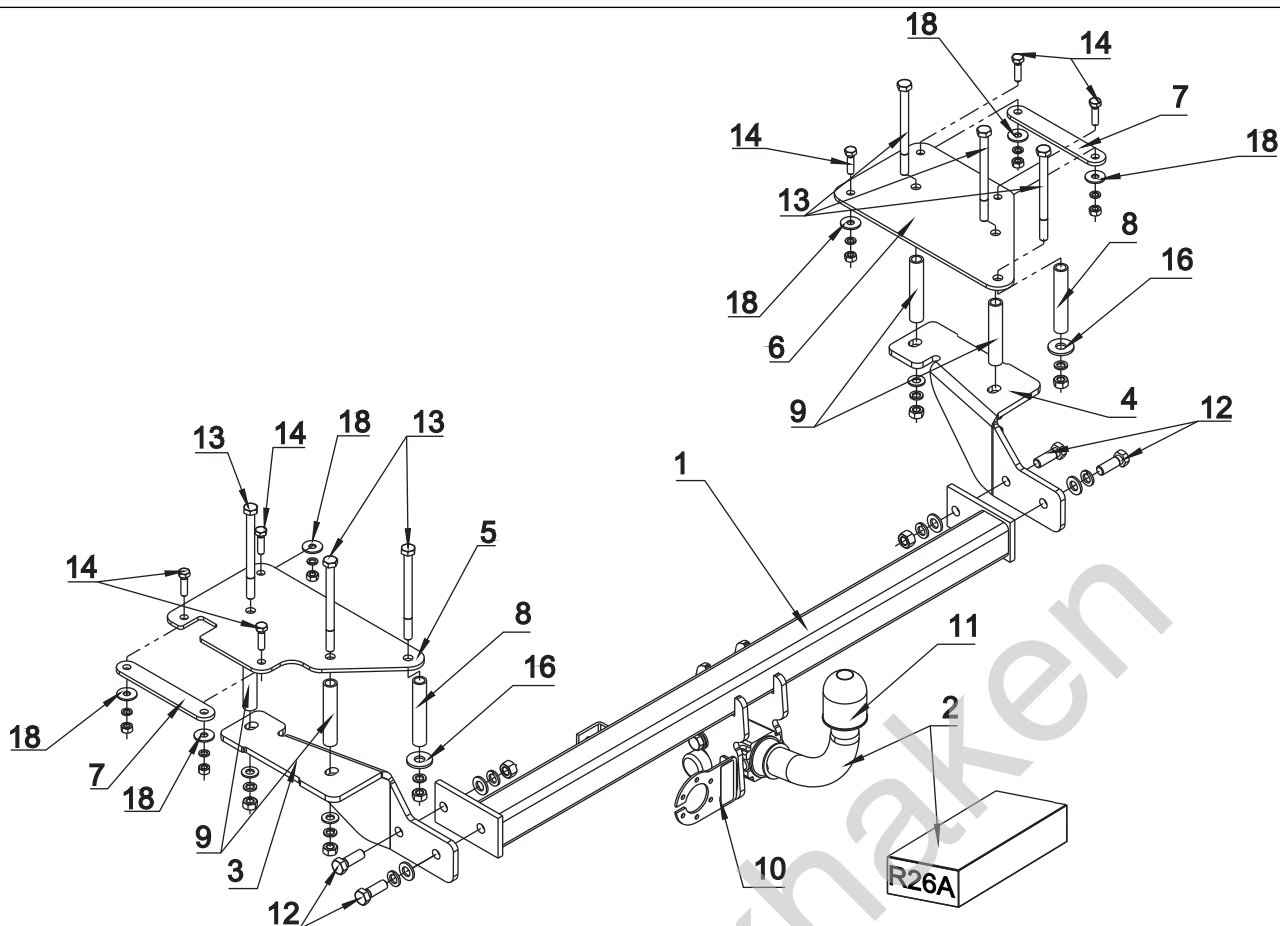
M8 - 25 Nm
M12 - 87 Nm
M16 - 210 Nm



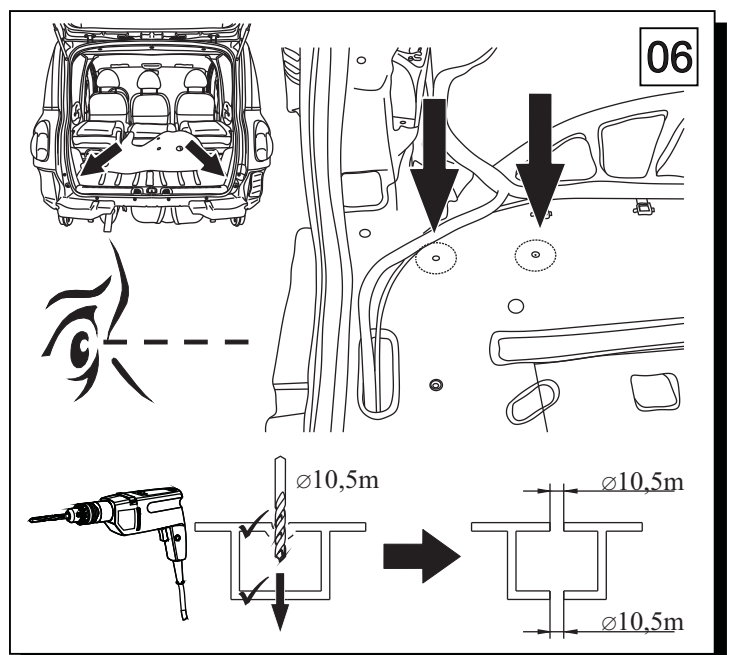
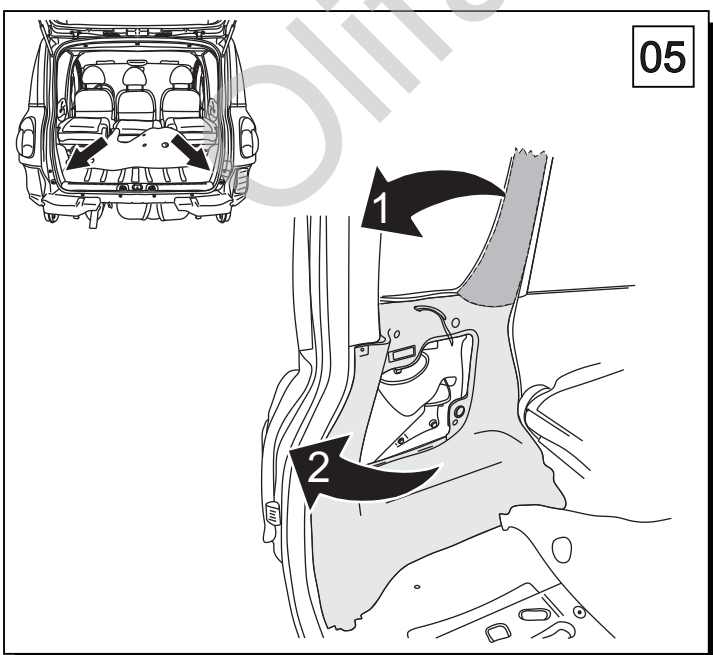
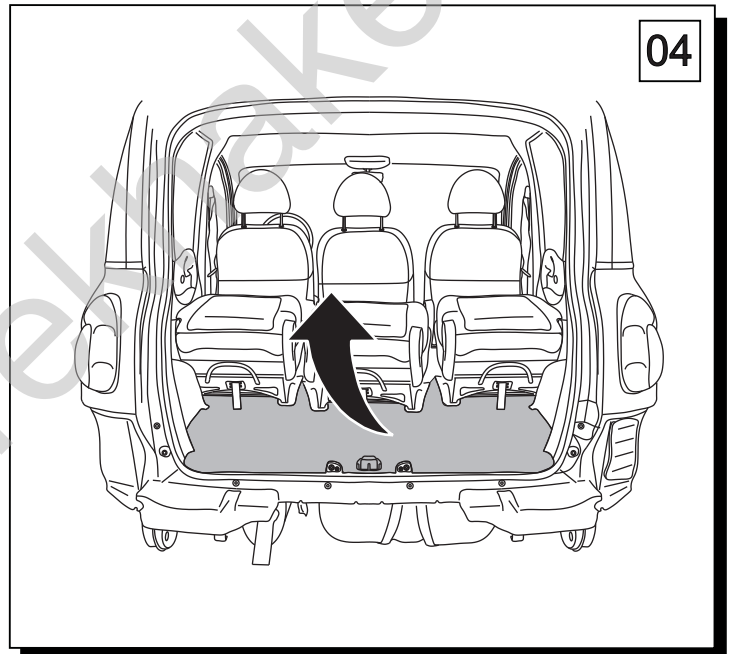
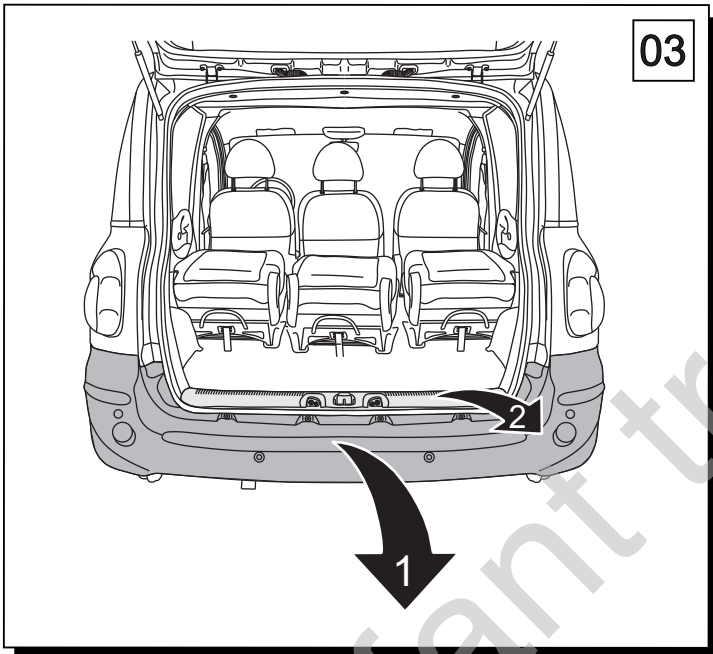
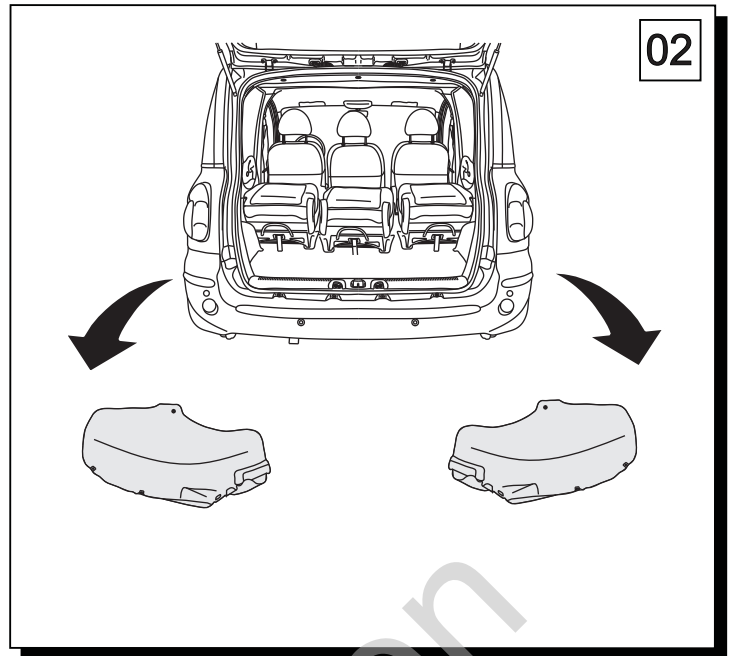
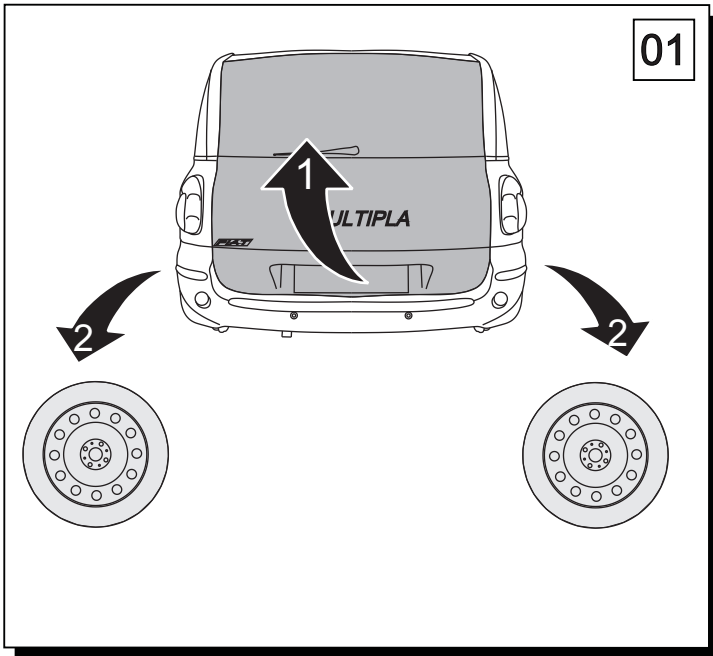
0 km →

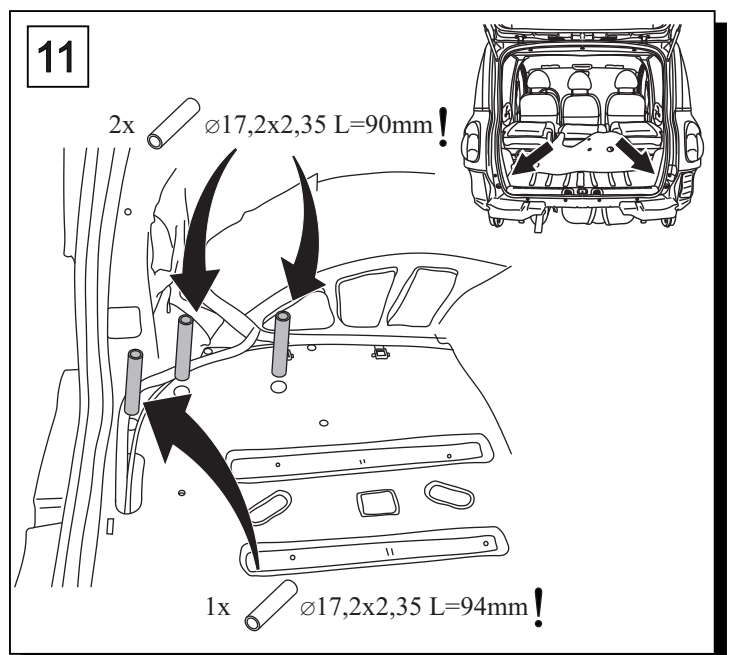
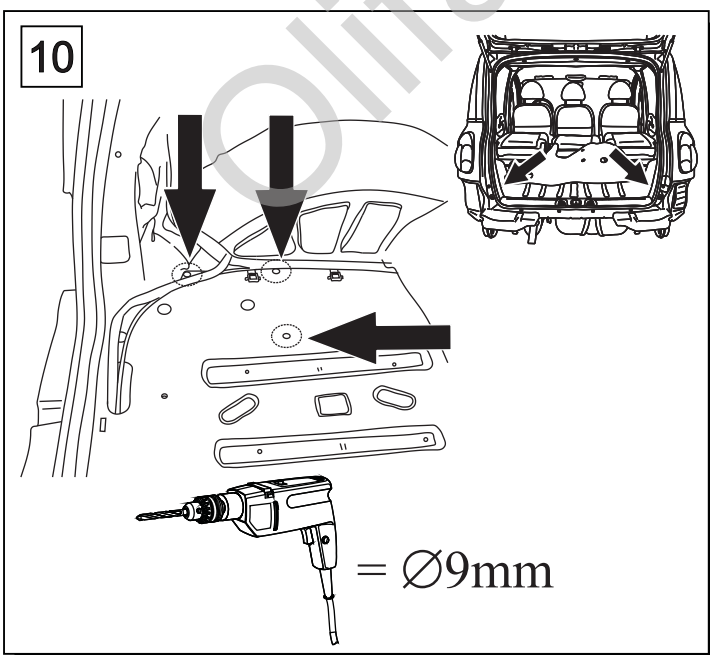
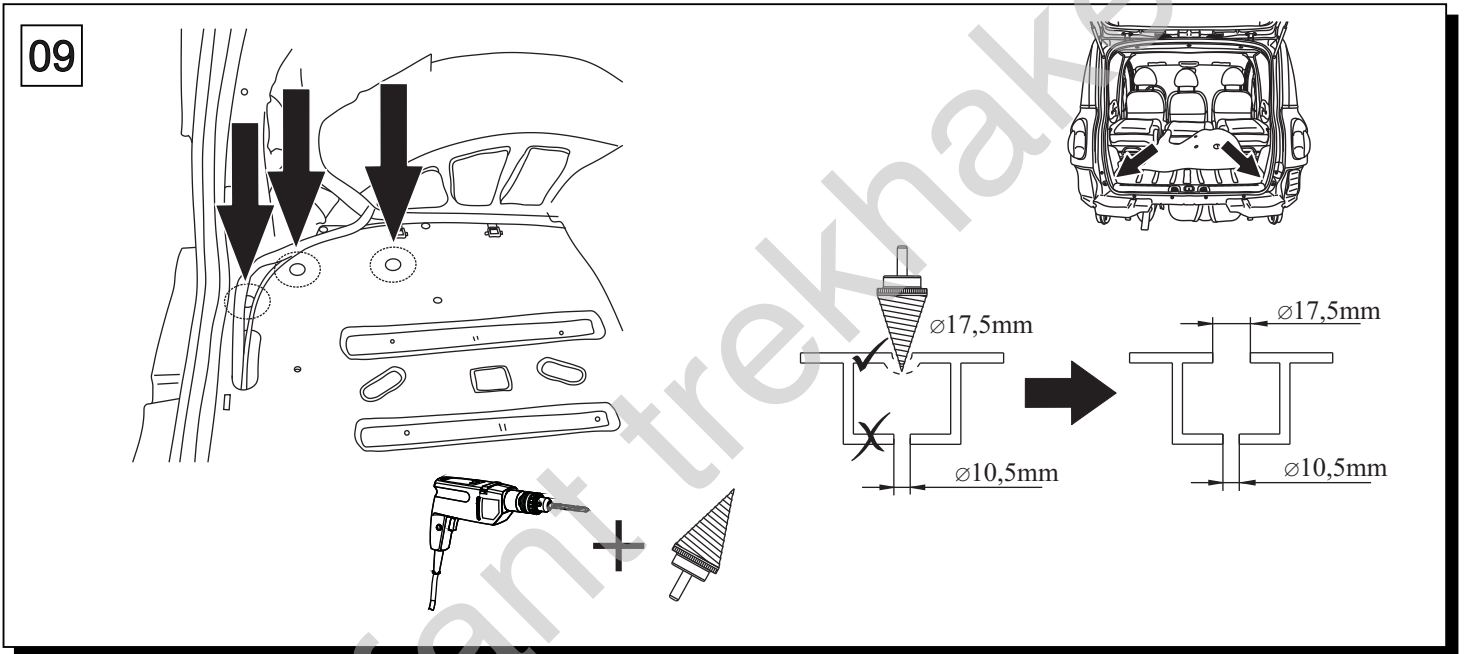
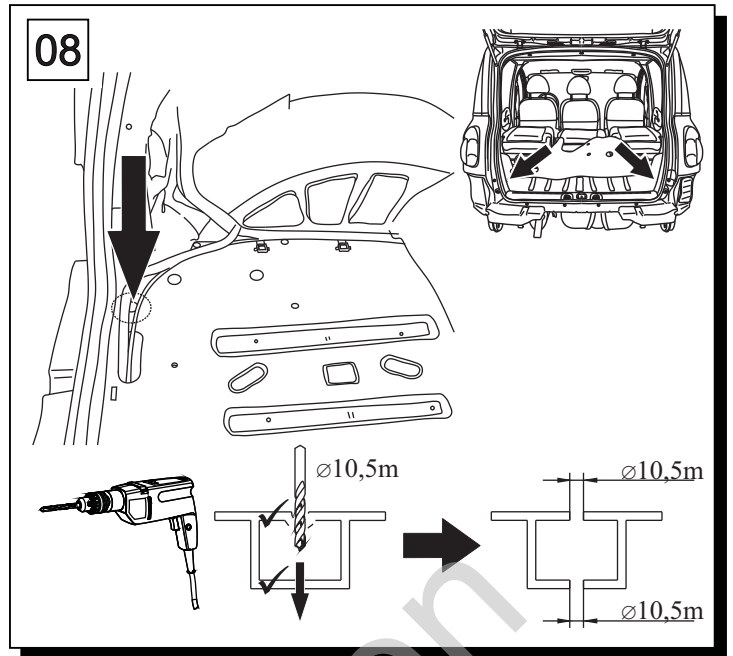
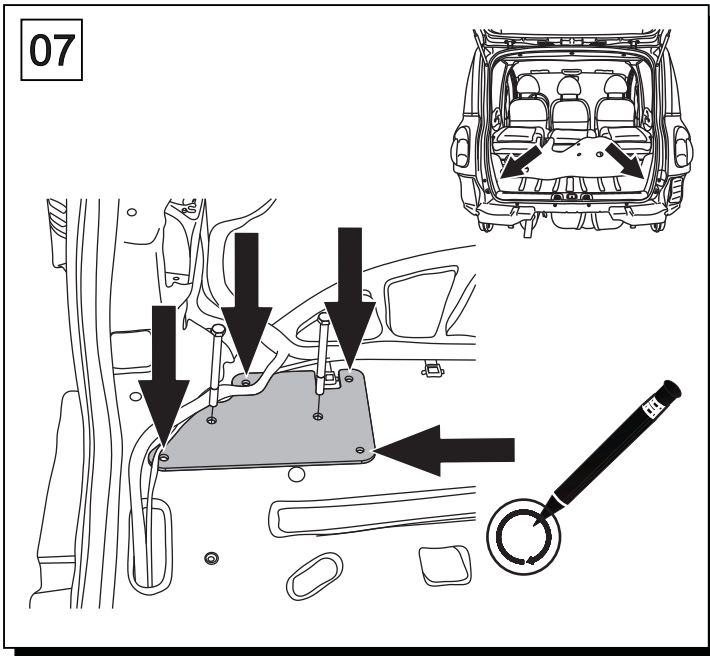


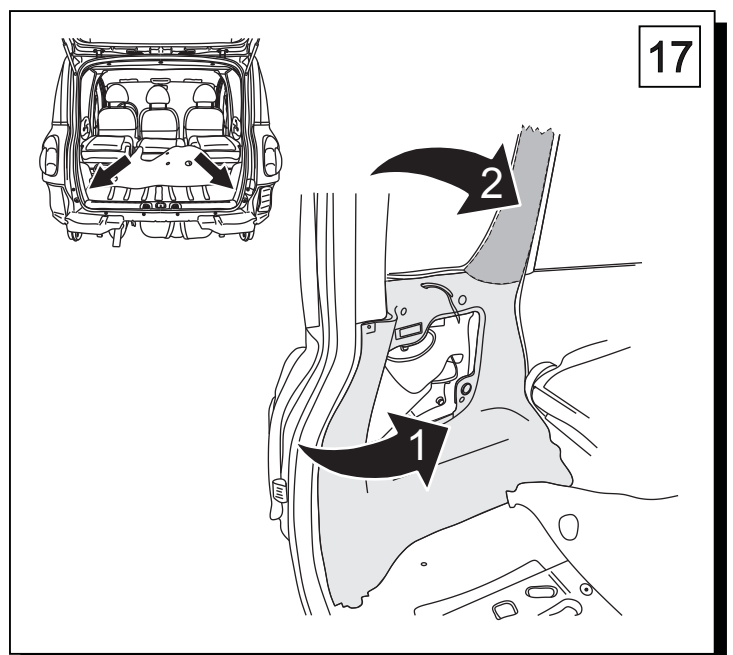
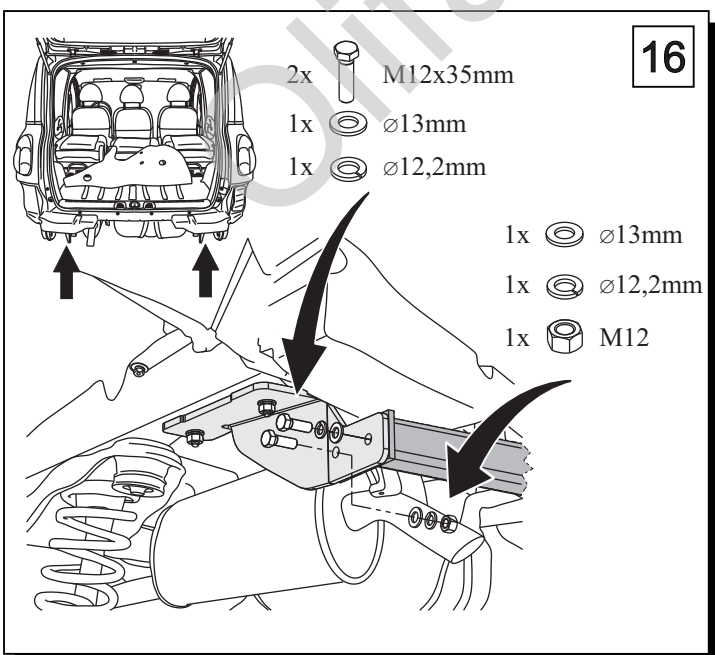
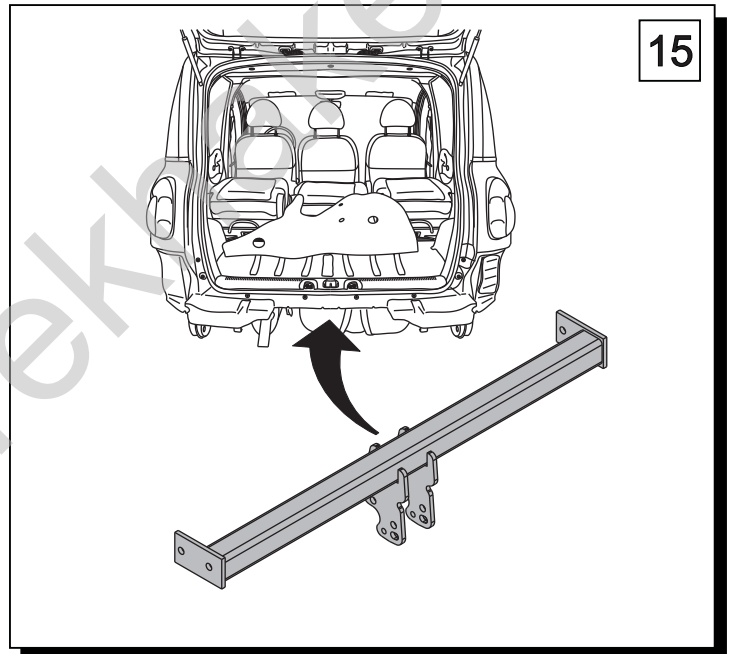
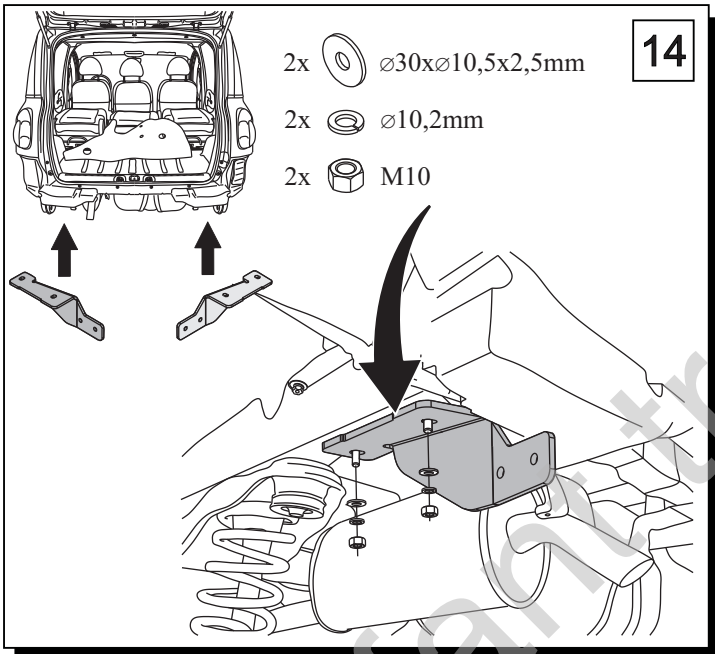
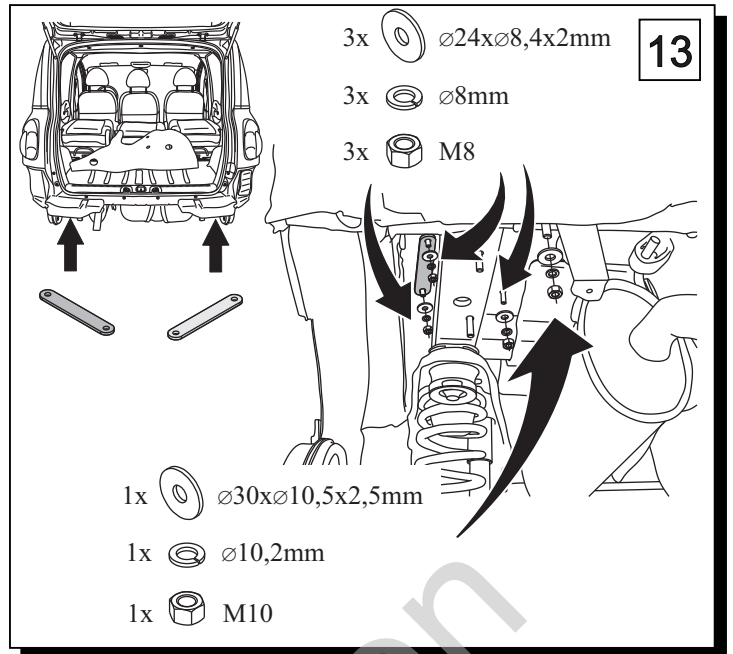
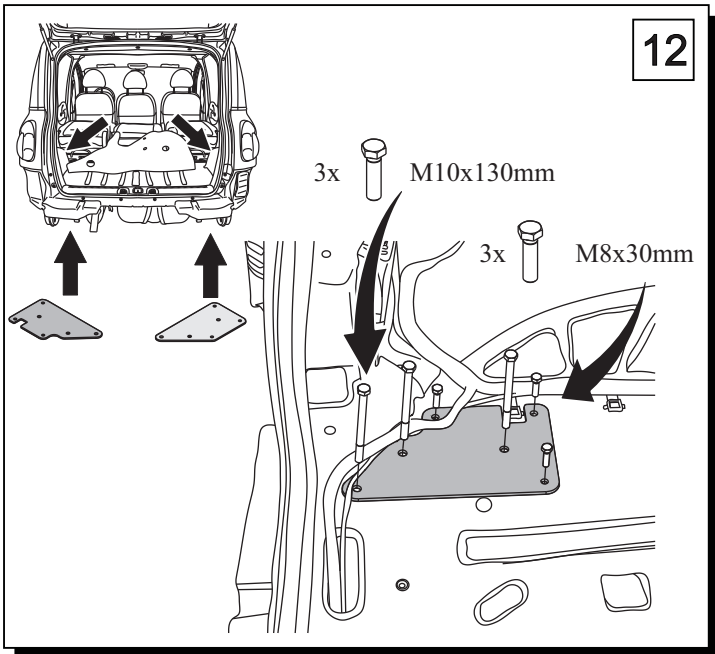
1000 km



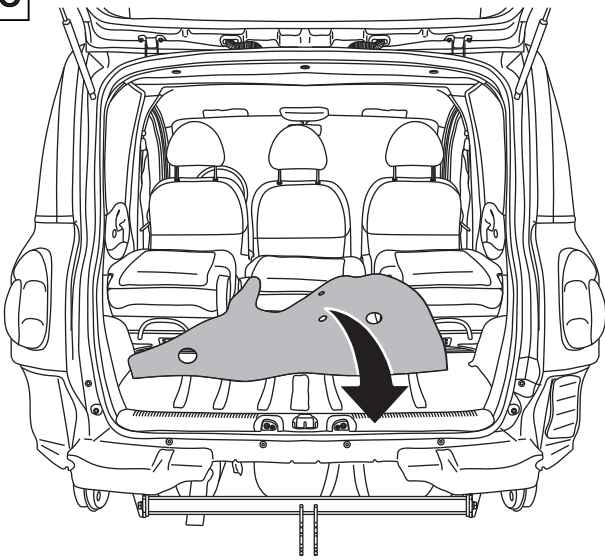
1		x1		12	M12x35	x4
2		x1		13	M10x130	x6
3		x1		14	M8x30	x6
4		x1		15	∅ 13	x4
5		x1		16	∅ 30x∅10.5x2.5 10 (DIN 9021)	x2
6		x1		17	∅ 10.5	x4
7		x2		18	∅ 24x∅8.4x2 8 DIN 9021	x6
8		x2		19	∅ 12.2	x4
9		x4		20	∅ 10.2	x6
10		x1		21	∅ 8.2	x6
11		x1		22	M12	x2
				23	M10	x6
				24	M8	x6



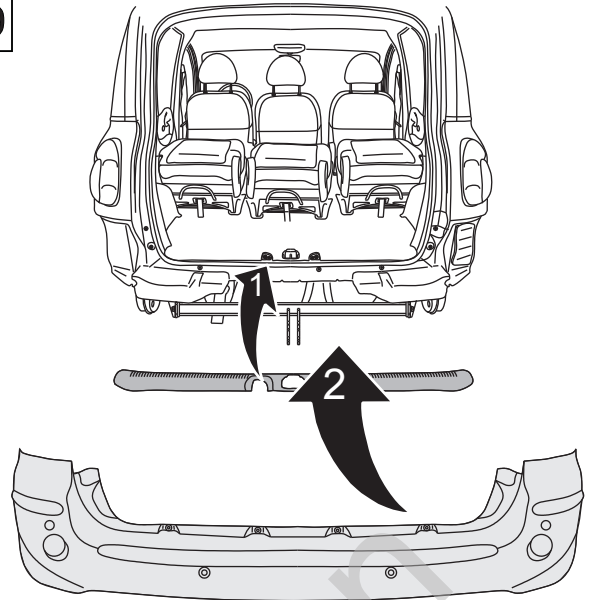




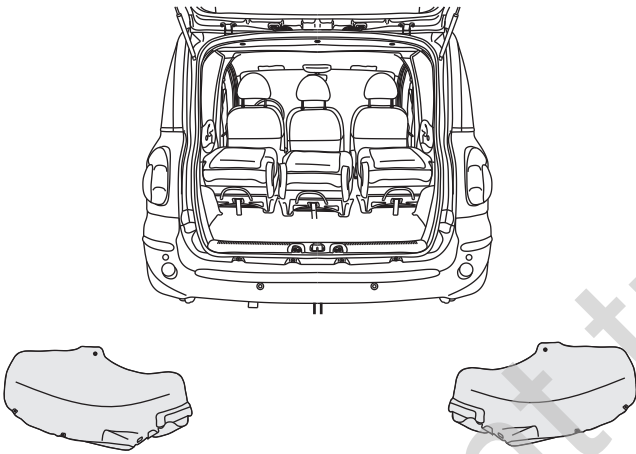
18



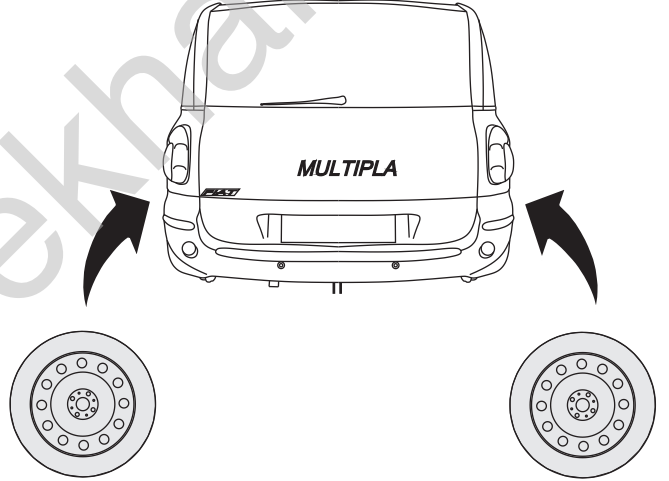
19



20



21



22

