

AUTO-HAK Sp. z o.o.

ul. Słoneczna 16K 76-200 SŁUPSK
POLAND

tel/fax +48 59 8 414 414; +48 59 8 414 413

e-mail: office@autohak.com.pl

www.autohak.com.pl




AUTO-HAK


DACIA JOGGER


HYBRID

 2022 →

 E20-55R-02 6423

D 7,43 kN

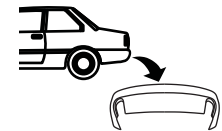
 **R=1200 kg**

 **S=75 kg**

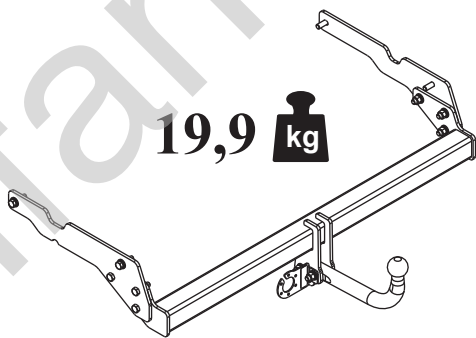
Nr kat.

G101


 **2h**








19,9 kg

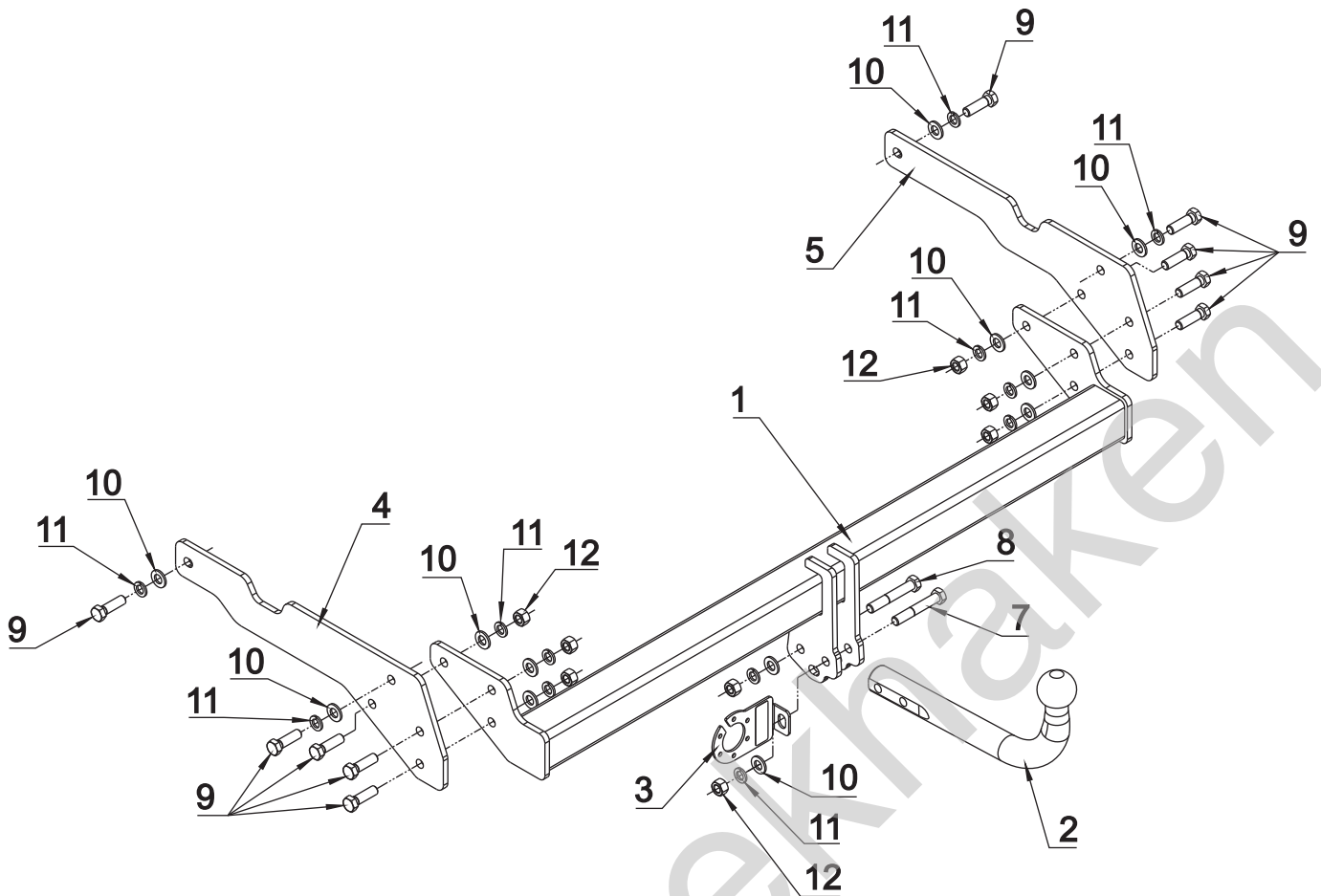


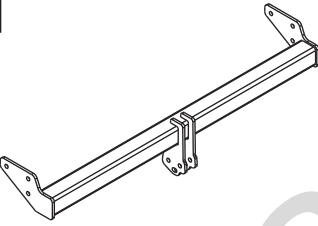





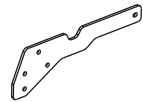
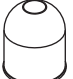
FULL VERSION INSTRUCTION



śruba	Nm	M6	M8	M10	M12	M14	M16
klasa 8.8		9,9	24	48	83	132	200
klasa 10.9		14	34	67	117	185	285

 0 km →  1000 km



1 	x 1		7 M12x75	x 1
			8 M12x70	x 1
			9 M12x40	x 10
			10 \varnothing 13	x 12
2 	x 1 Art.nr-KL1G101		11 \varnothing 12.2	x 12
			3 	x 1 Art.nr-BL2G101
4 	x 1			
5 	x 1			
6 	x 1			

