

# AUTO-HAK Sp. z o.o.

ul. Słoneczna 16K 76-200 SŁUPSK  
POLAND

tel/fax +48 59 8 414 414; +48 59 8 414 413

e-mail: [office@autohak.com.pl](mailto:office@autohak.com.pl)

[www.autohak.com.pl](http://www.autohak.com.pl)



# AUTO-HAK

⊙ DACIA DOKKER 08.2012 → 03.2017  
(dostawczy, VAN)

⊙ DACIA DOKKER STEPWAY 04.2017 →  
(dostawczy, VAN)


⊙ RENAULT EXPRESS 04.2021 →  
(dostawczy, VAN)

Nr kat.

G73A

**e20** E20-55R-01 2976

**D** 7,5 kN

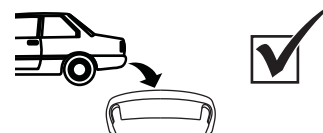
 **R=1400 kg**

 **S=75 kg**

**20 kg**




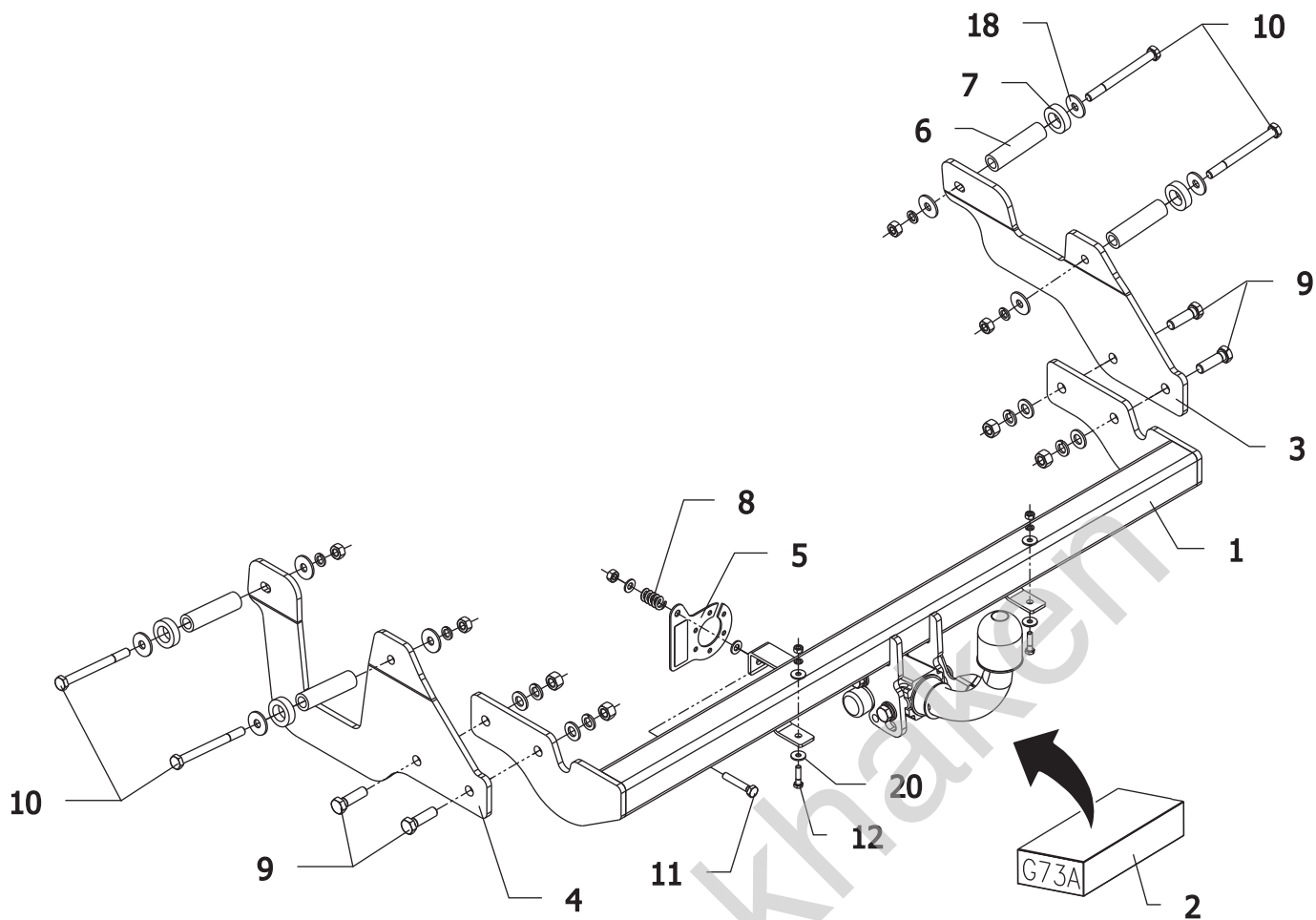
2h

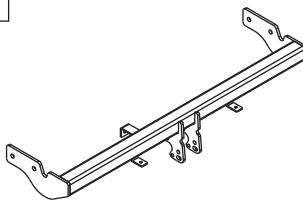

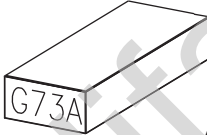







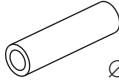





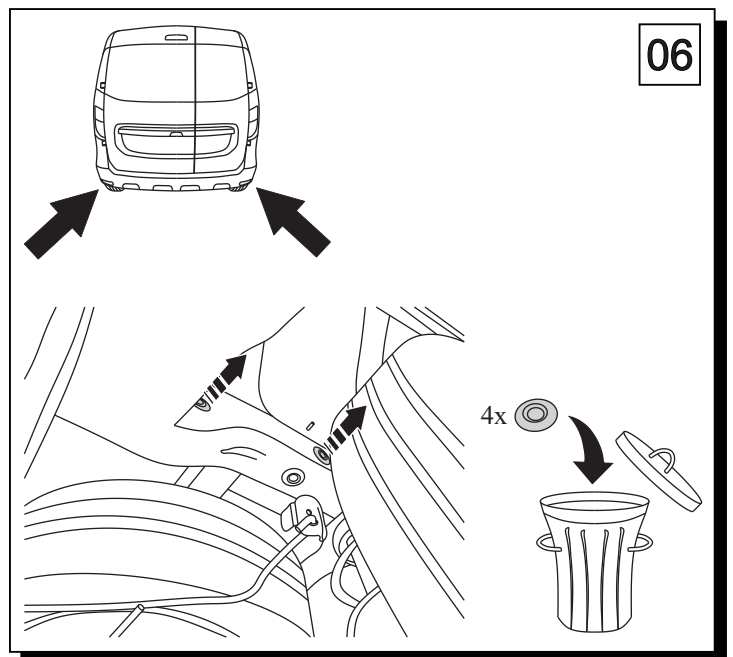
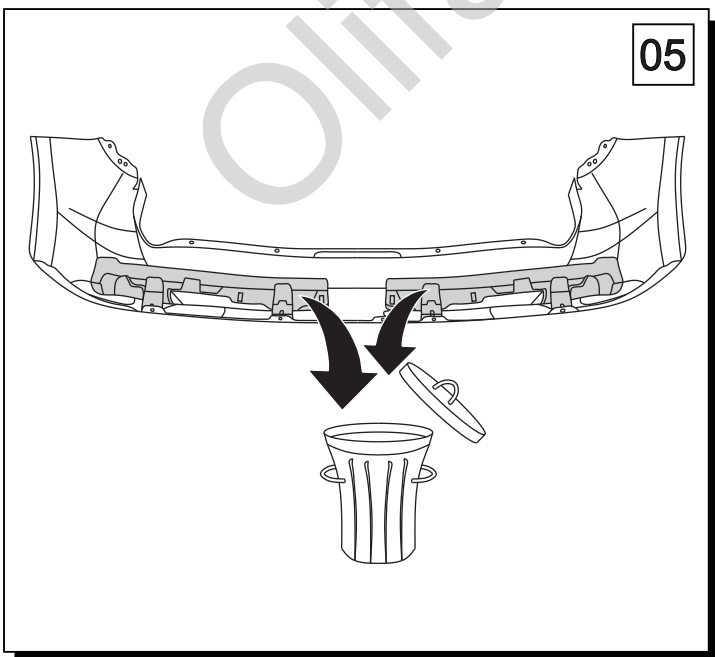
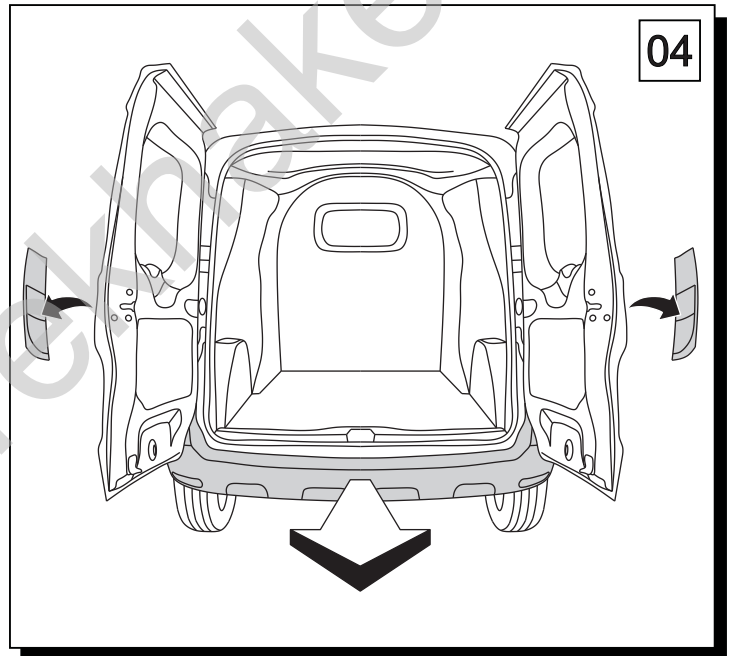
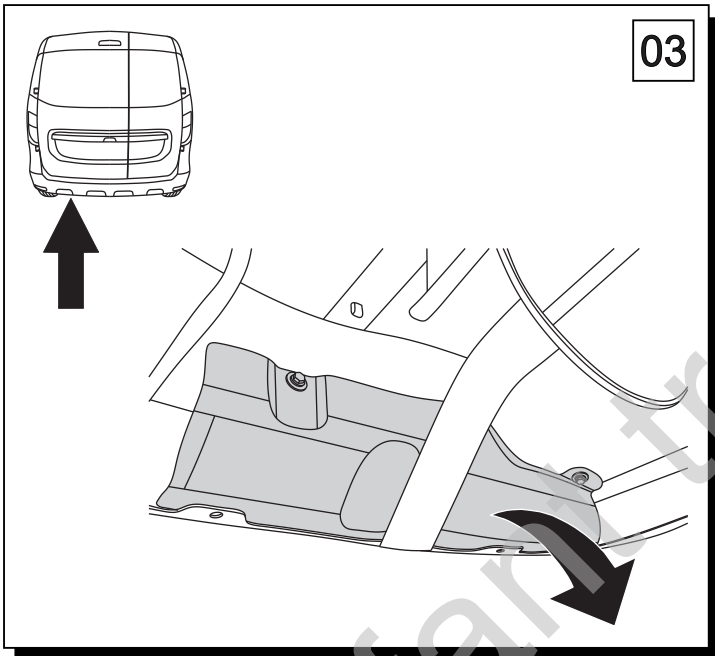
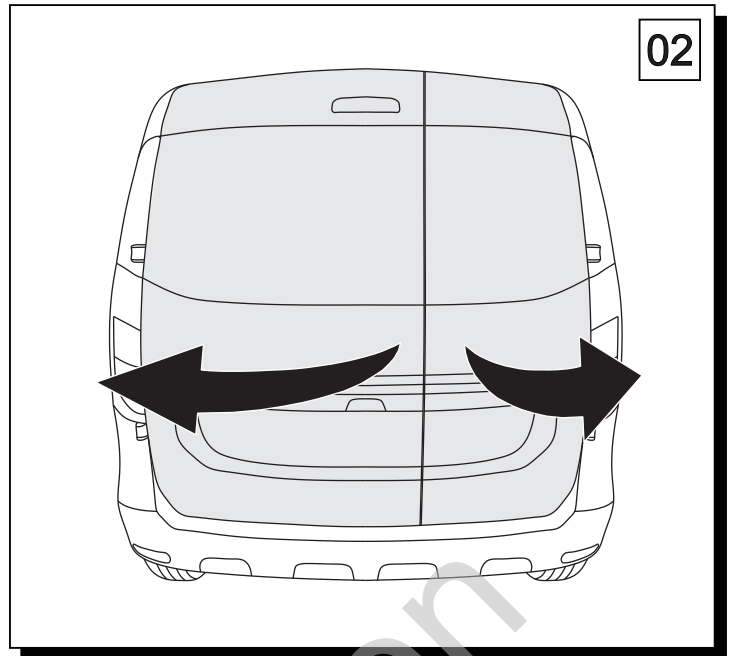
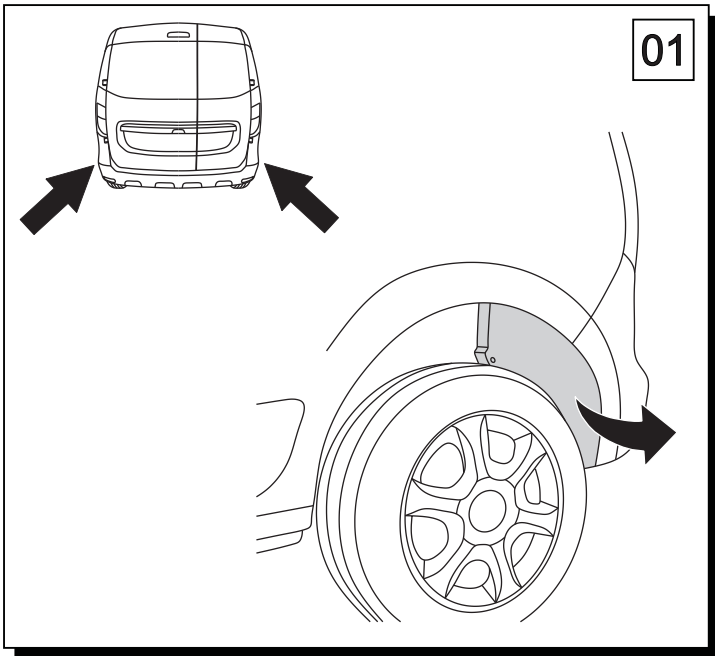
śruba	Nm	M6	M8	M10	M12	M14	M16
klasa 8.8		9,9	24	48	83	132	200
klasa 10.9		14	34	67	117	185	285



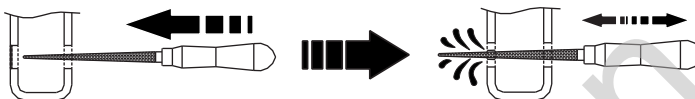
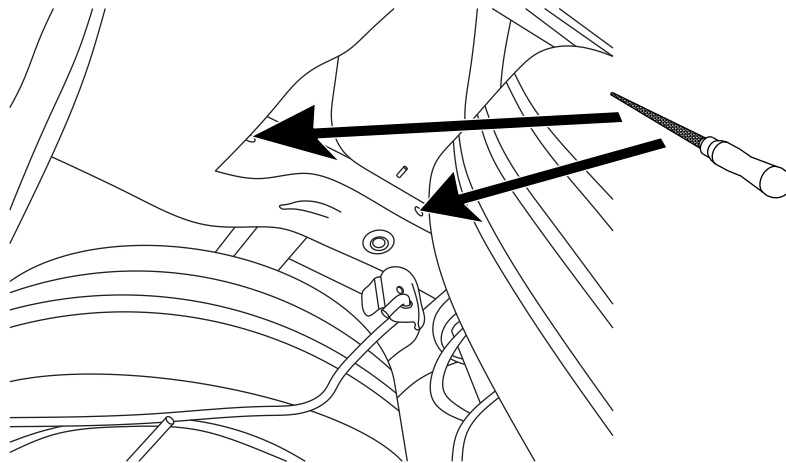
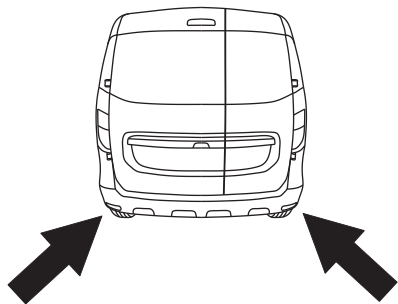
 0 km →  1000 km



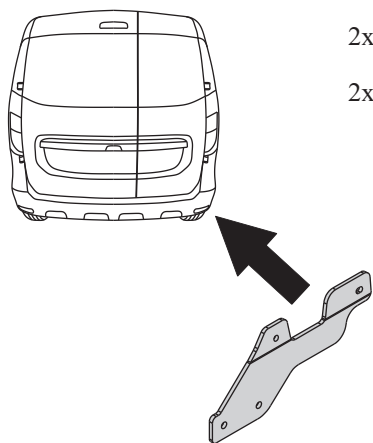
1		x 1		9	M 12x40	x 4
				10	M 10x110	x 4
2		x 1		11	M 8x45	x 1
				12	M 6x25	x 2
				13	M 12	x 4
				14	M 10	x 4
3		x 1		15	M 8	x 1
				16	M 6	x 2
				17	∅ 13	x 4
4		x 1		18	∅ 30x∅10.5x2.5 10 DIN 9021	8
				19	∅ 8.4	x 2
5		x 1		20	∅ 9x∅6.4x1.6 6 DIN 9021	4
				21	∅ 12.2	x 4
6		x 4		22	∅ 10.2	x 4
				23	∅ 6.1	x 2
7		x 4				
						∅35x∅21x10mm
8		x 1				





07



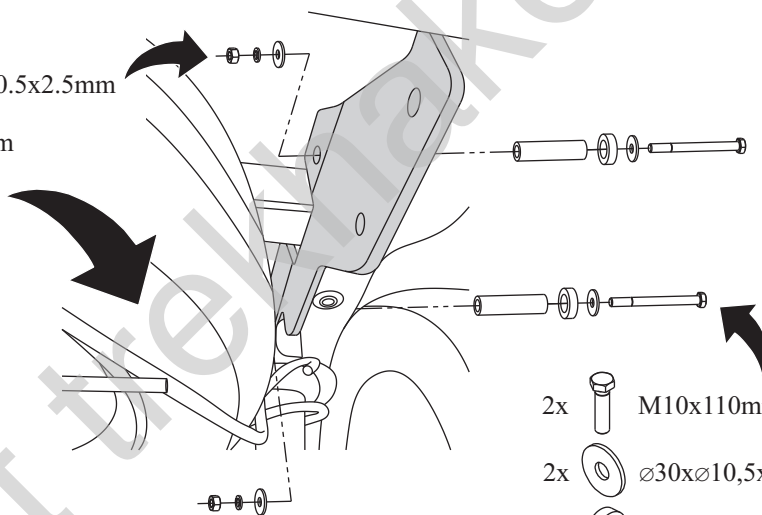
08




2x   $\varnothing 30 \times 10.5 \times 2.5 \text{mm}$


2x   $\varnothing 10,2 \text{mm}$


2x  M10



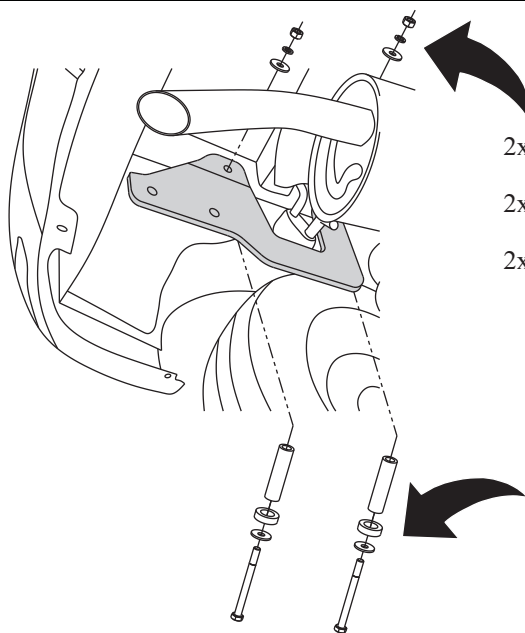
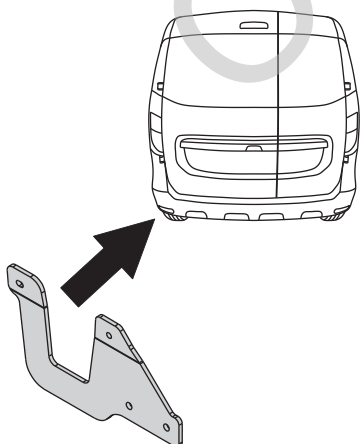
2x  M10x110mm


2x   $\varnothing 30 \times 10,5 \times 2,5 \text{mm}$

2x   $\varnothing 35 \times 21 \times 10 \text{mm}$

2x   $\varnothing 22 \times 4, L=83 \text{mm}$

09




2x   $\varnothing 30 \times 10.5 \times 2.5 \text{mm}$


2x   $\varnothing 10,2 \text{mm}$

2x  M10

2x  M10x110mm

2x   $\varnothing 30 \times 10,5 \times 2,5 \text{mm}$

2x   $\varnothing 35 \times 21 \times 10 \text{mm}$

2x   $\varnothing 22 \times 4, L=83 \text{mm}$

