

# AUTO-HAK Sp. z o.o.

ul. Słoneczna 16K 76-200 SŁUPSK  
POLAND

tel/fax +48 59 8 414 414; +48 59 8 414 413

e-mail: [office@autohak.com.pl](mailto:office@autohak.com.pl)

[www.autohak.com.pl](http://www.autohak.com.pl)



# AUTO-HAK

## CITROEN C4

PICASSO, VAN, 5x 

 06.2013 → 02.2018

SPACETOURER, VAN, 5x 

 03.2018 →

GRAND PICASSO, VAN, 5-7x 

 09.2013 → 02.2018

GRAND SPACETOURER, VAN, 5-7x 

 03.2018 →


Nr kat.

**P38V**

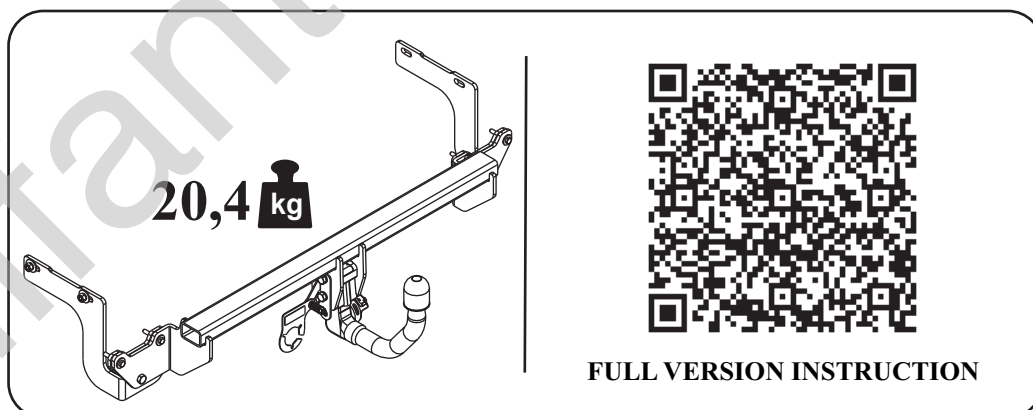
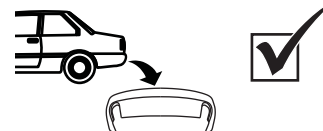
**2h**

**E20** E20-55R-01 3682

**D** 9,56 kN

 R=1750 kg

 S=70 kg

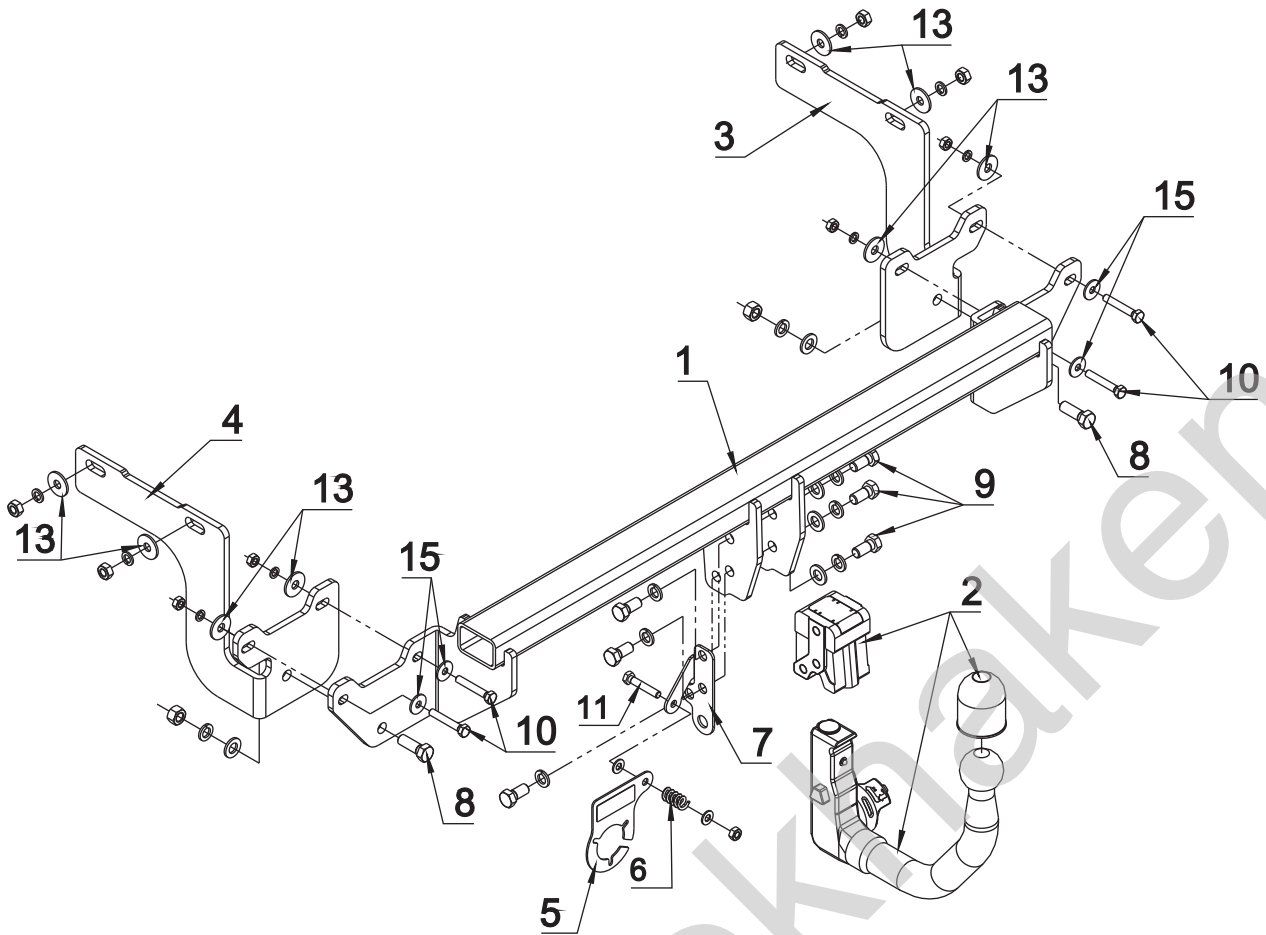


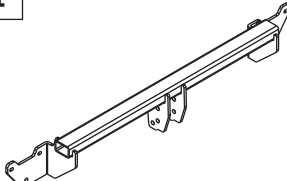



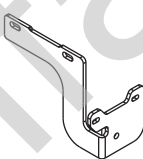

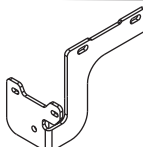





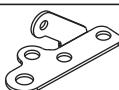

FULL VERSION INSTRUCTION



śruba	Nm	M6	M8	M10	M12	M14	M16
klasa 8.8		9,9	24	48	83	132	200
klasa 10.9		14	34	67	117	185	285

 0 km →  1000 km

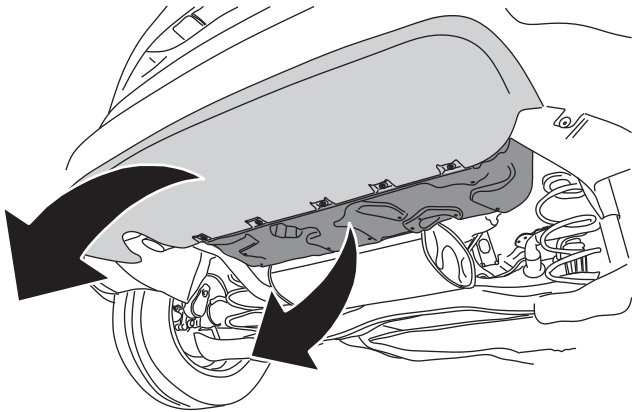
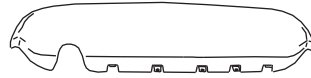


1		x1		8	M12x35	x2
				9	M12x25	x6
2		x1		10	M8x50	x4
				11	M8x45	x1
3		x1		12	∅ 13	x5
				13	∅ 30x∅10.5x2.5 10 (DIN 9021)	x8
4		x1		14	∅ 8.3	x2
				15	∅ 24x∅8.5x2 8 (DIN 9021)	x4
5		x1		16	∅ 12.2	x8
				17	∅ 10.2	x4
6		x1		18	∅ 8.2	x4
				19	M12	x2
7		x1		20	M10	x4
				21	M8	x5

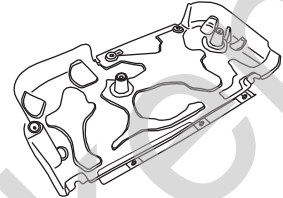
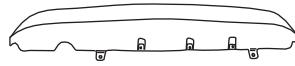


# CITROËN C4 PICASSO

01



# CITROËN C4 GRAND PICASSO



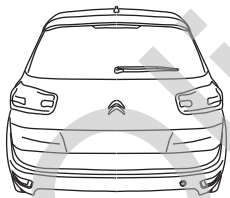
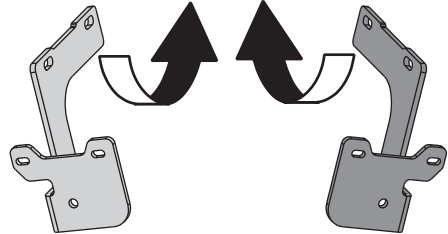
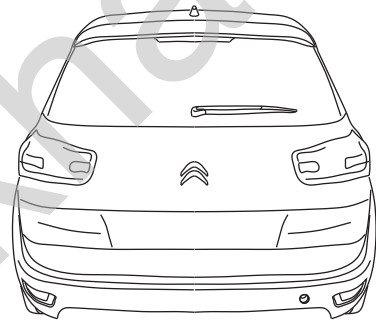
02

2x

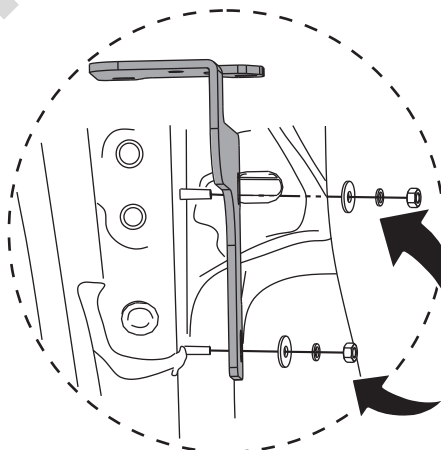
2x



03



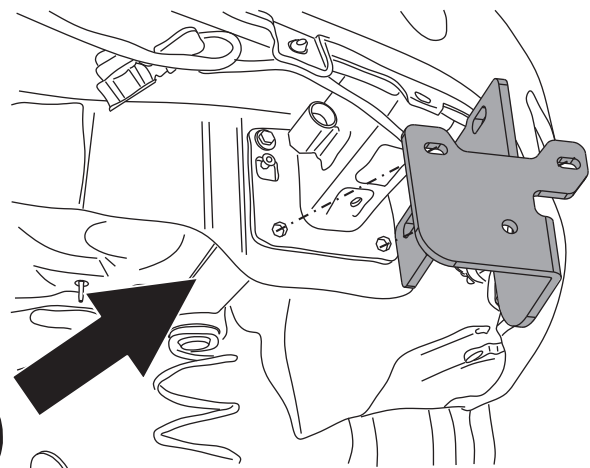
04



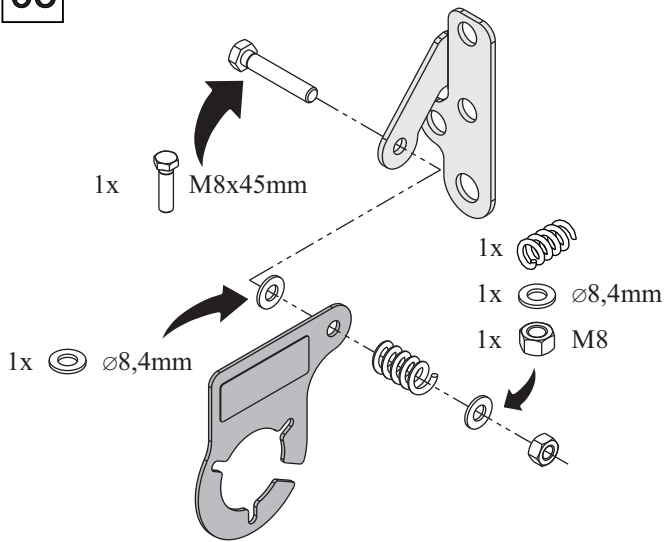
2x  $\varnothing 30 \times 10,5 \times 2,5 \text{mm}$

2x  $\varnothing 10,2 \text{mm}$

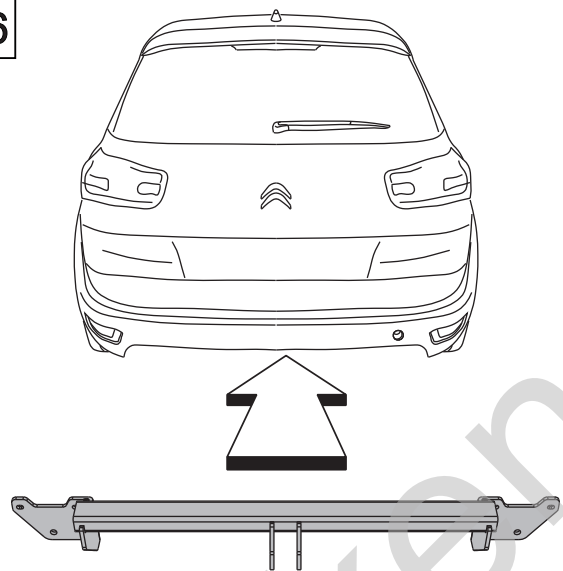
2x M10



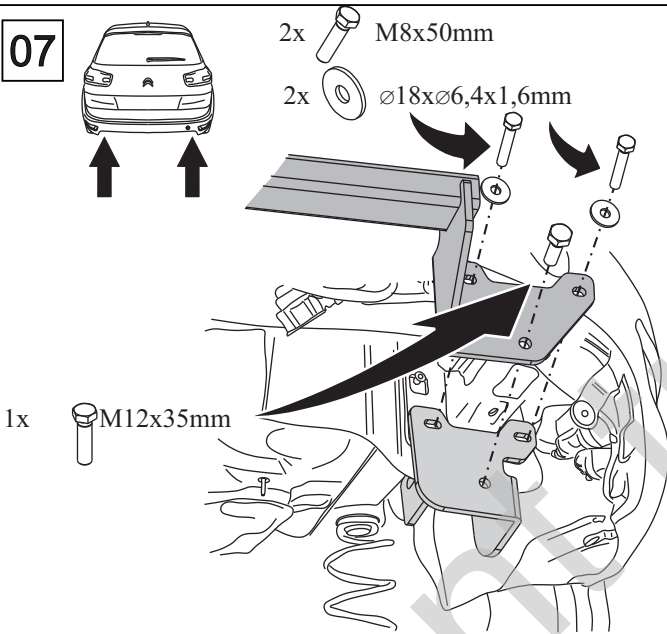
05



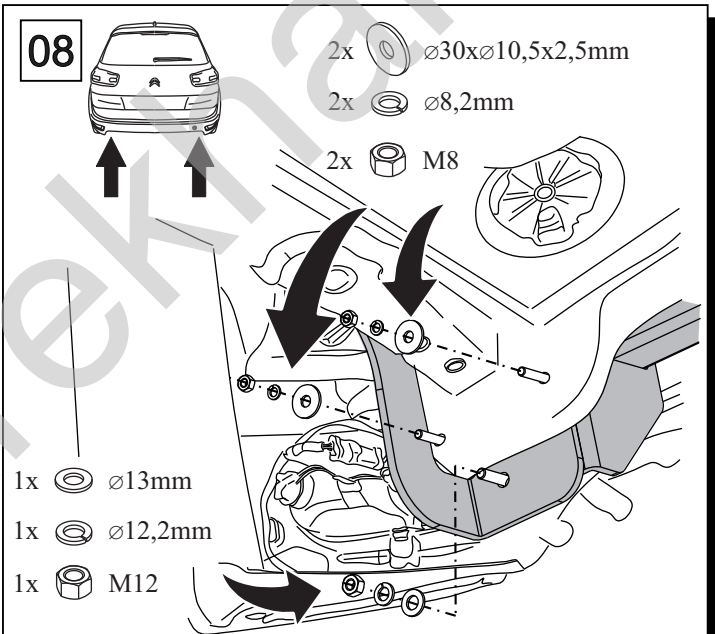
06



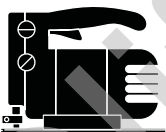
07



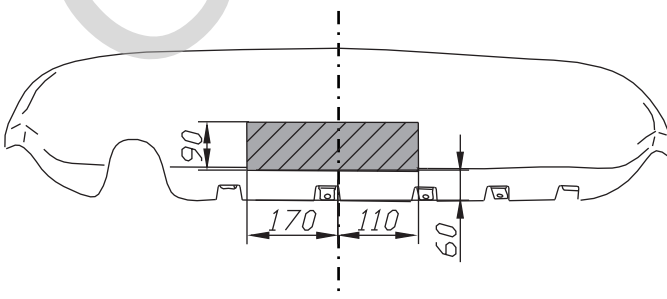
08



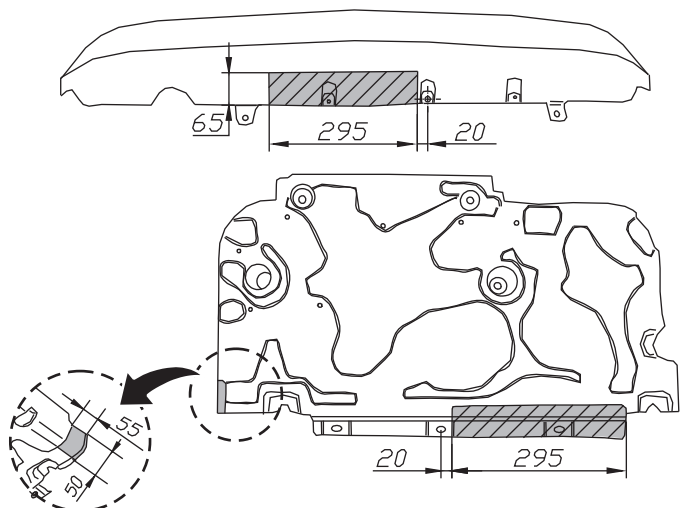
09



CITROEN C4 PICASSO



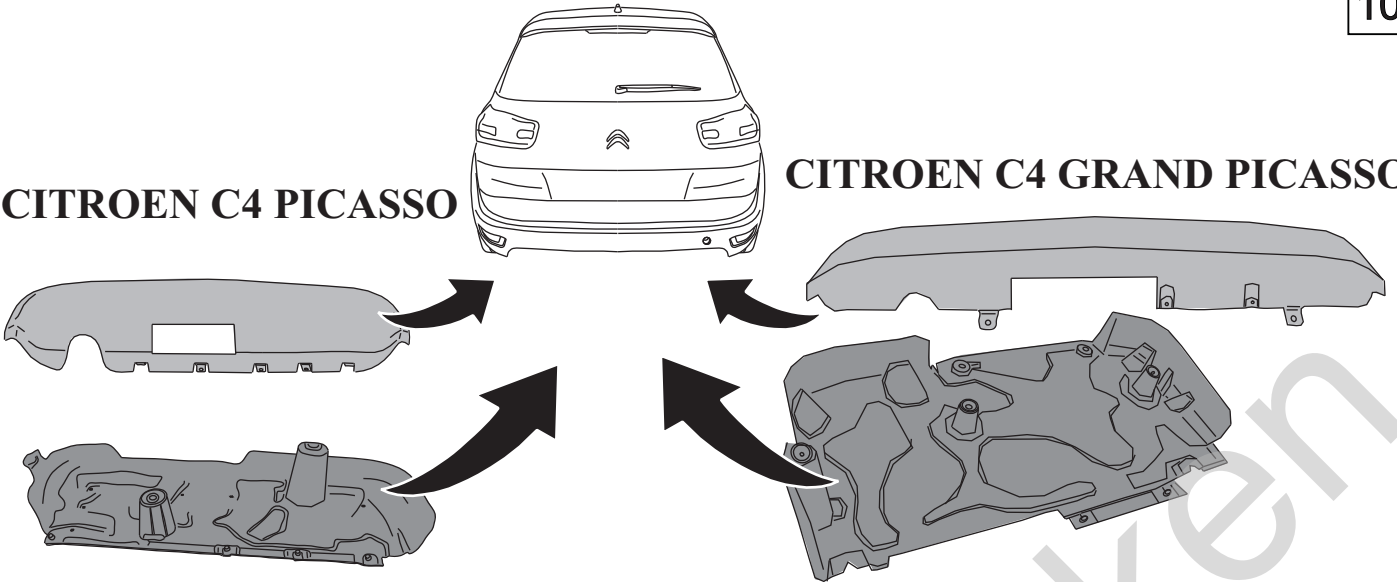
CITROEN C4 GRAND PICASSO



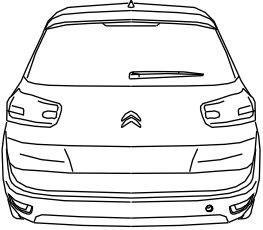
10



CITROEN C4 PICASSO

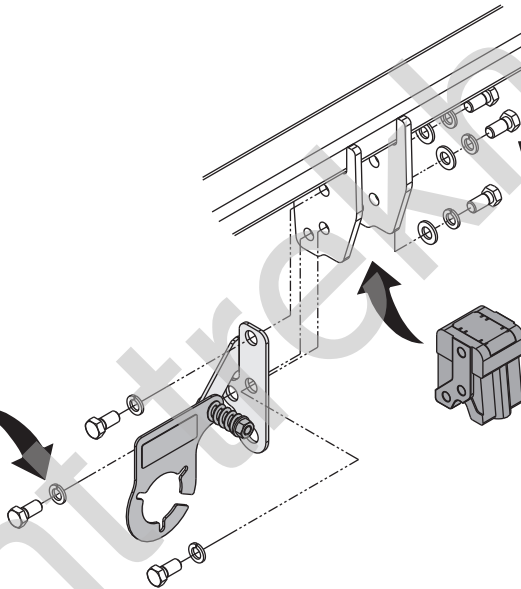
CITROEN C4 GRAND PICASSO






11



- 3x  M12x25mm
- 3x  Ø12,2mm



- 3x  M12x25mm
- 3x  Ø12,2mm
- 3x  Ø13mm

12

