

# AUTO-HAK Sp. z o.o.

ul. Słoneczna 16K 76-200 SŁUPSK  
POLAND

tel/fax +48 59 8 414 414; +48 59 8 414 413

e-mail: [office@autohak.com.pl](mailto:office@autohak.com.pl)

[www.autohak.com.pl](http://www.autohak.com.pl)



# AUTO-HAK

## BMW X5 (E70)

+M. Pakiet

03.2007 → 10.2013

## BMW X5 (F15)

+M. Pakiet


11.2013 →


Cat. no:

# B10

**e20** e20\*94/20\*0448\*00

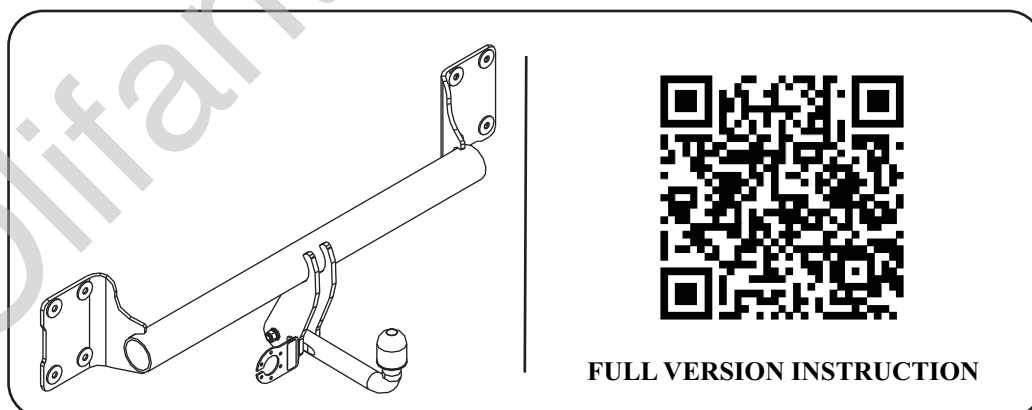
**D** 16,0 kN

 R=3500 kg

 S=150 kg





1,5h

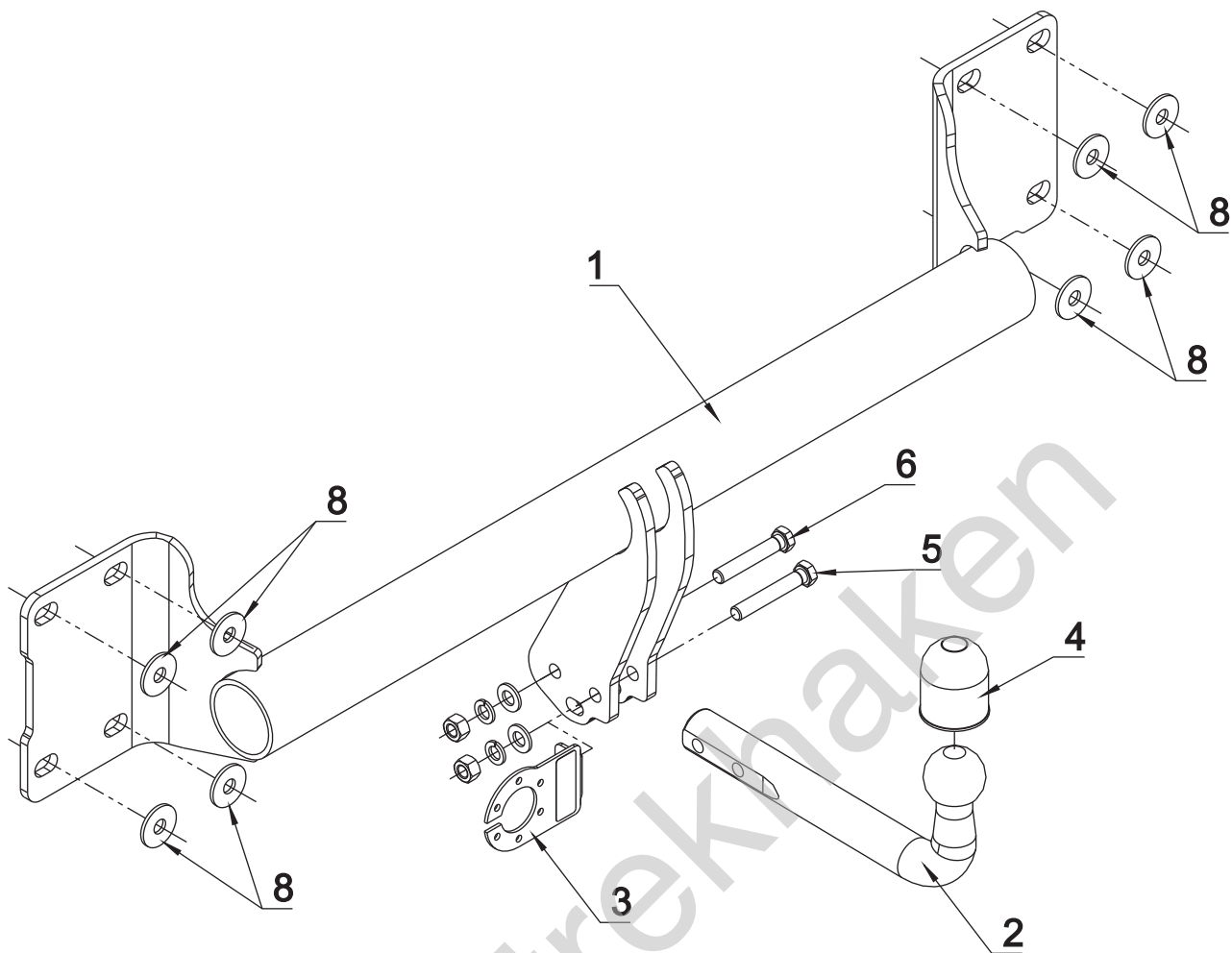


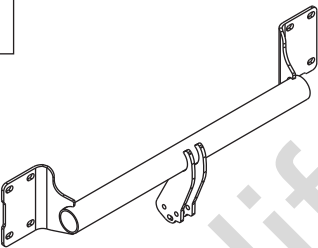
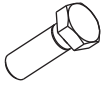
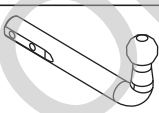

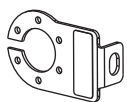


FULL VERSION INSTRUCTION



śruba	Nm	M6	M8	M10	M12	M14	M16
klasa 8.8		9,9	24	48	83	132	200
klasa 10.9		14	34	67	117	185	285

 0 km →  1000 km



<b>1</b> 	<b>x 1</b>		<b>5</b> M12x75	<b>x 1</b>
			<b>6</b> M12x70	<b>x 1</b>
			<b>7</b> $\varnothing$ 13	<b>x 2</b>
			<b>8</b> $\varnothing$ 37x $\varnothing$ 13x3 13 (DIN 9021)	<b>x 8</b>
<b>2</b> 	<b>x 1</b> Art.nr-KL1B10		<b>9</b> $\varnothing$ 12.2	<b>x 2</b>
<b>3</b> 	<b>x 1</b> Art.nr-BL1B10		<b>10</b> M12	<b>x 2</b>
<b>4</b> 	<b>x 1</b>			

