

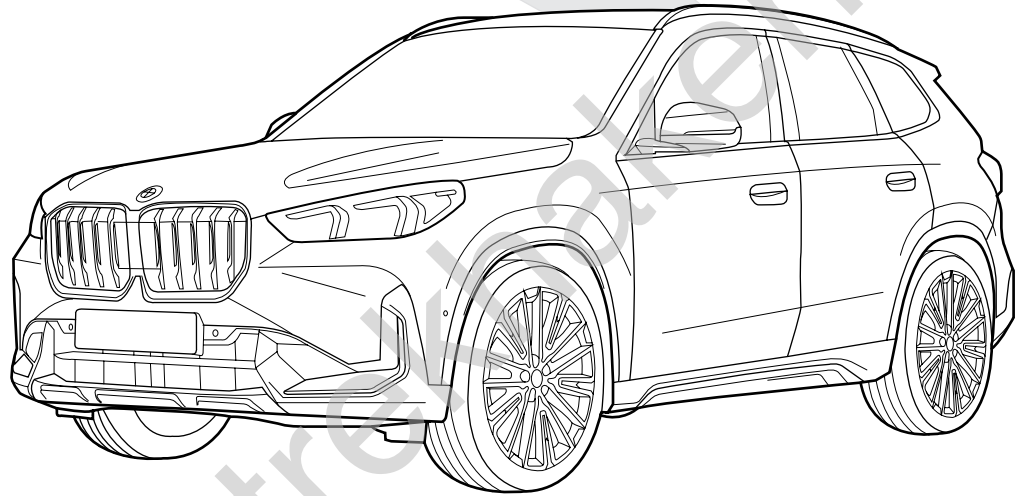


BMW X1 (U11)

07/'22-



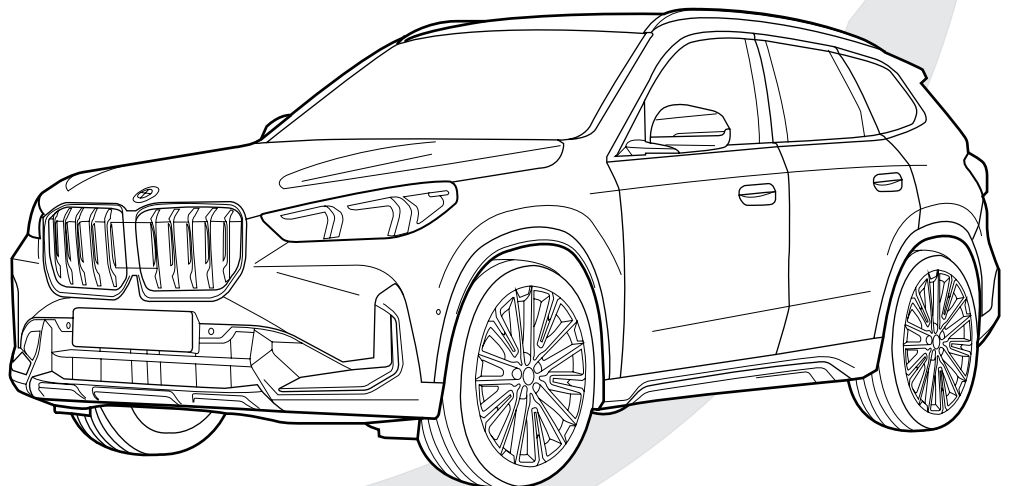
- ✓ STANDARD
- ✓ MILD HYBRID
- ✓ KICKSENSOR
- ✓ M-SPORT PACKAGE
- ✓ (PLUG-IN) HYBRID

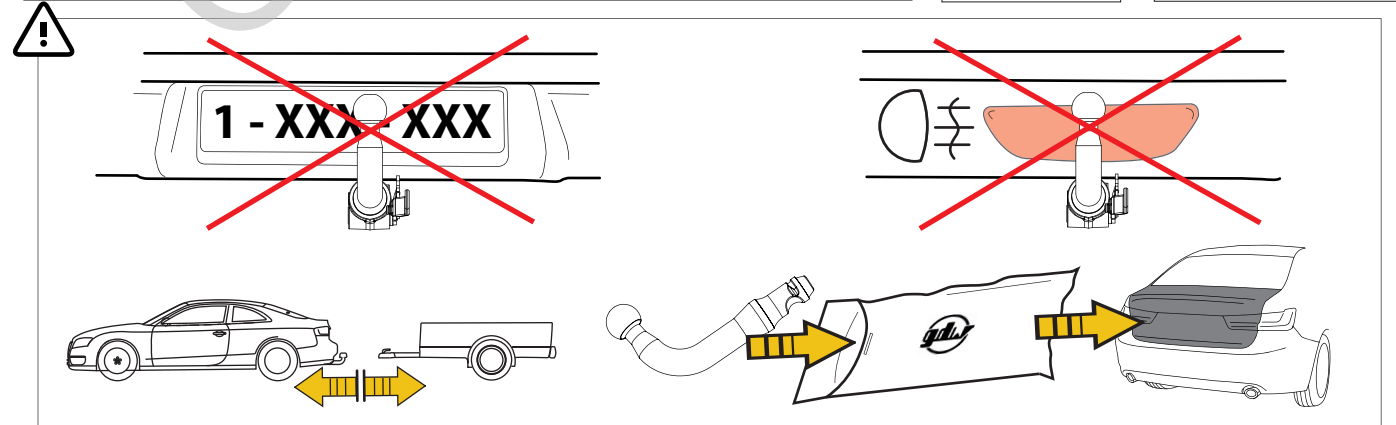
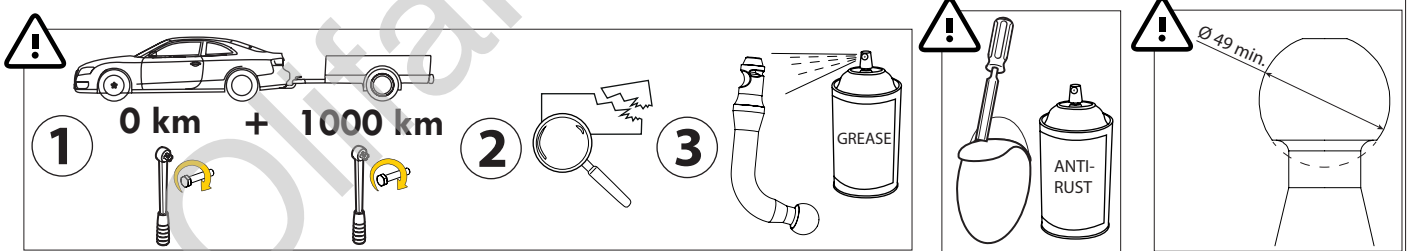
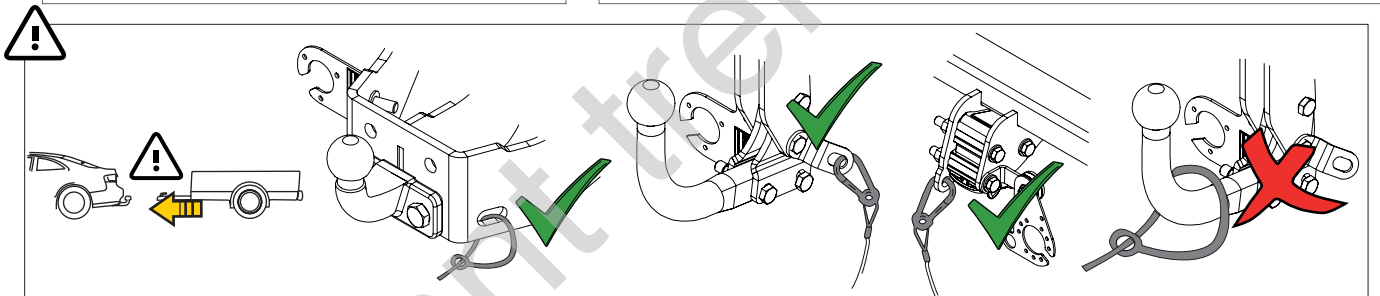
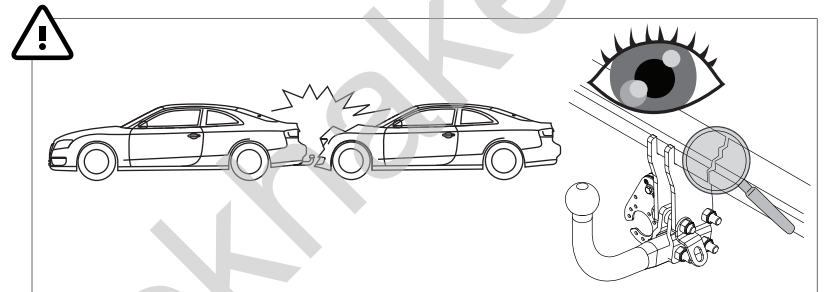
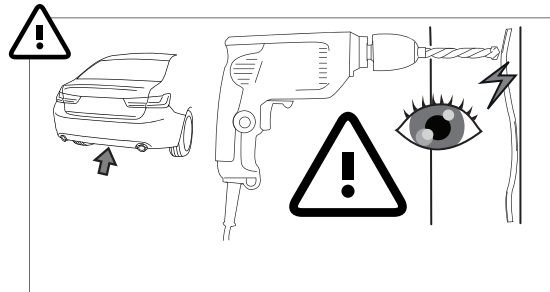
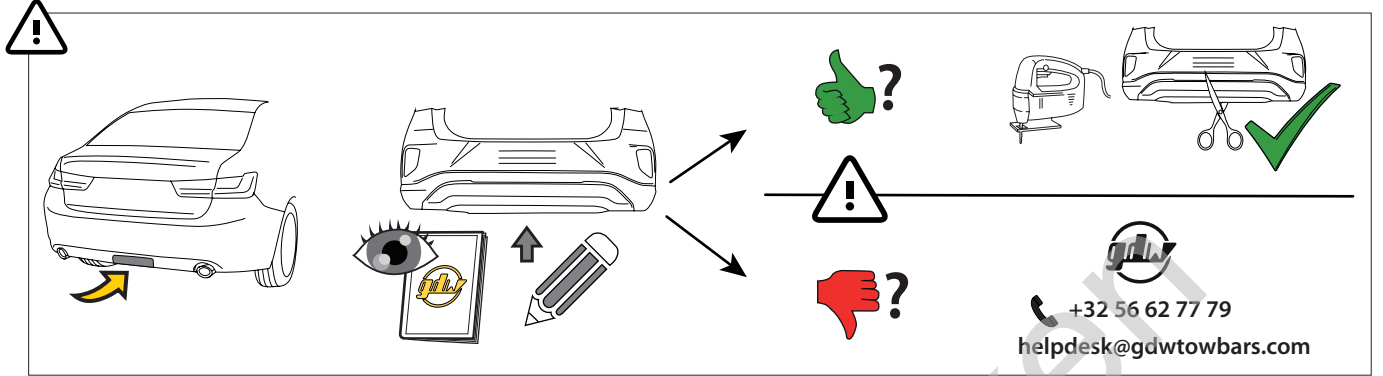
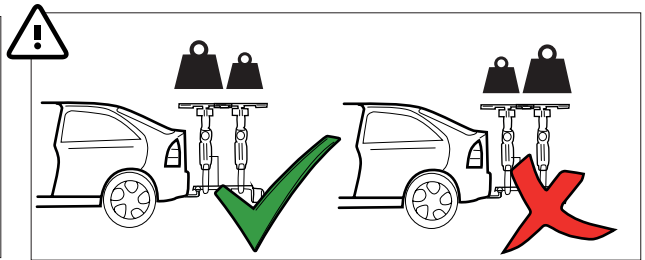
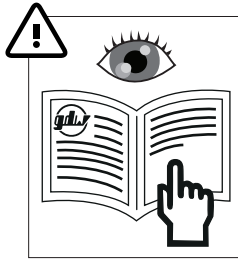
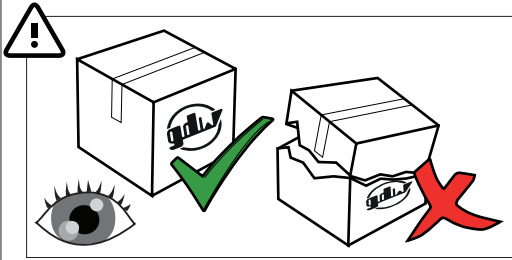



BMW iX1 (U11)

08/'22-

- ✓ KICKSENSOR
- ✓ M-SPORT PACKAGE
- ✓ (PLUG-IN) HYBRID




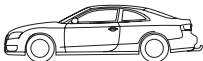



MADE BY  **D 11,25** **F** **E6**


BELGIUM **S 100** EC-N° 55R-02 1767


REF N° 2722 SERIAL N° XXXX

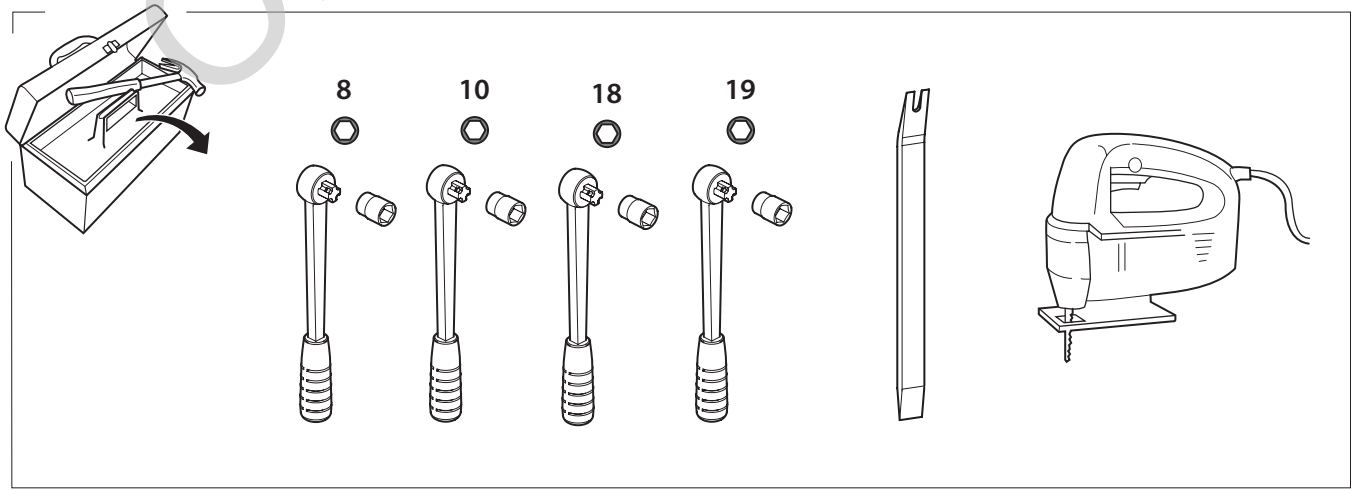
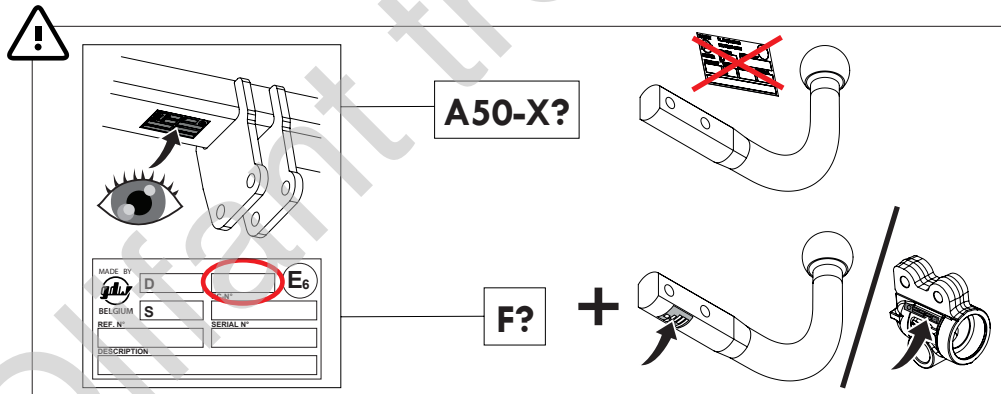
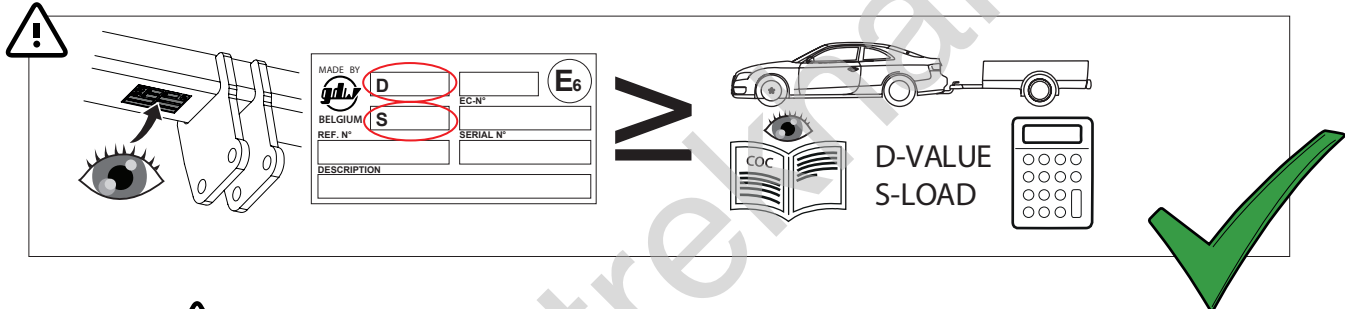
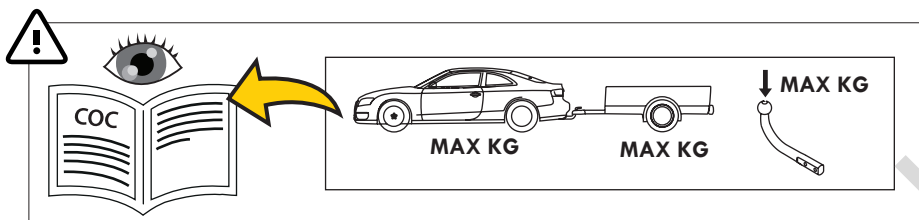
DESCRIPTION
BMW X1

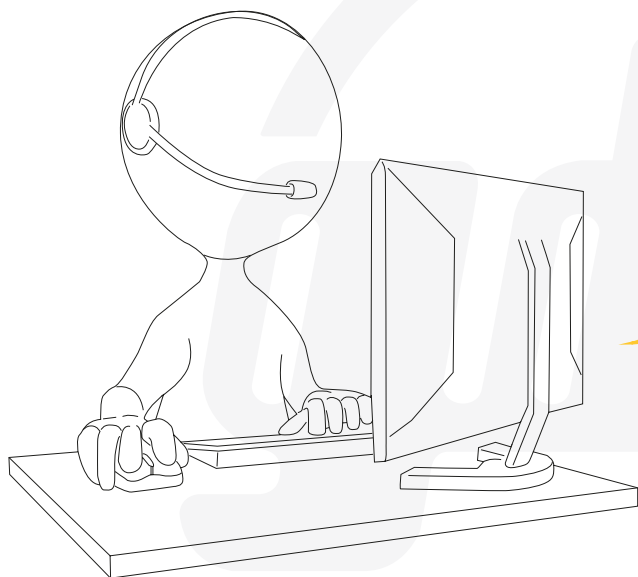
   \times $\leq 11,25 \text{ kN}$

$D = \frac{\text{max kg} \times \text{max kg}}{\text{max kg} + \text{max kg}} \times 0.00981 \leq 11,25 \text{ kN}$

 $S = \begin{cases} \leq 100 \text{ kg} \\ \leq 2000 \text{ kg} \end{cases}$

 See the Certificate Of Conformity (COC) of your vehicle or contact your dealer to verify the max. trailer weight of your car!

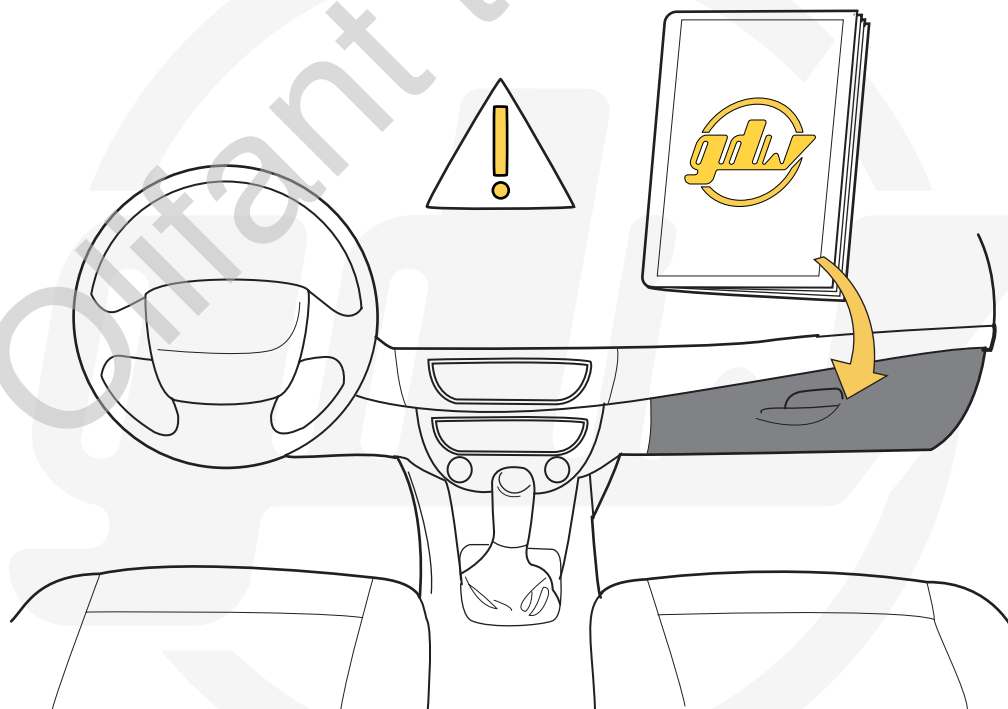


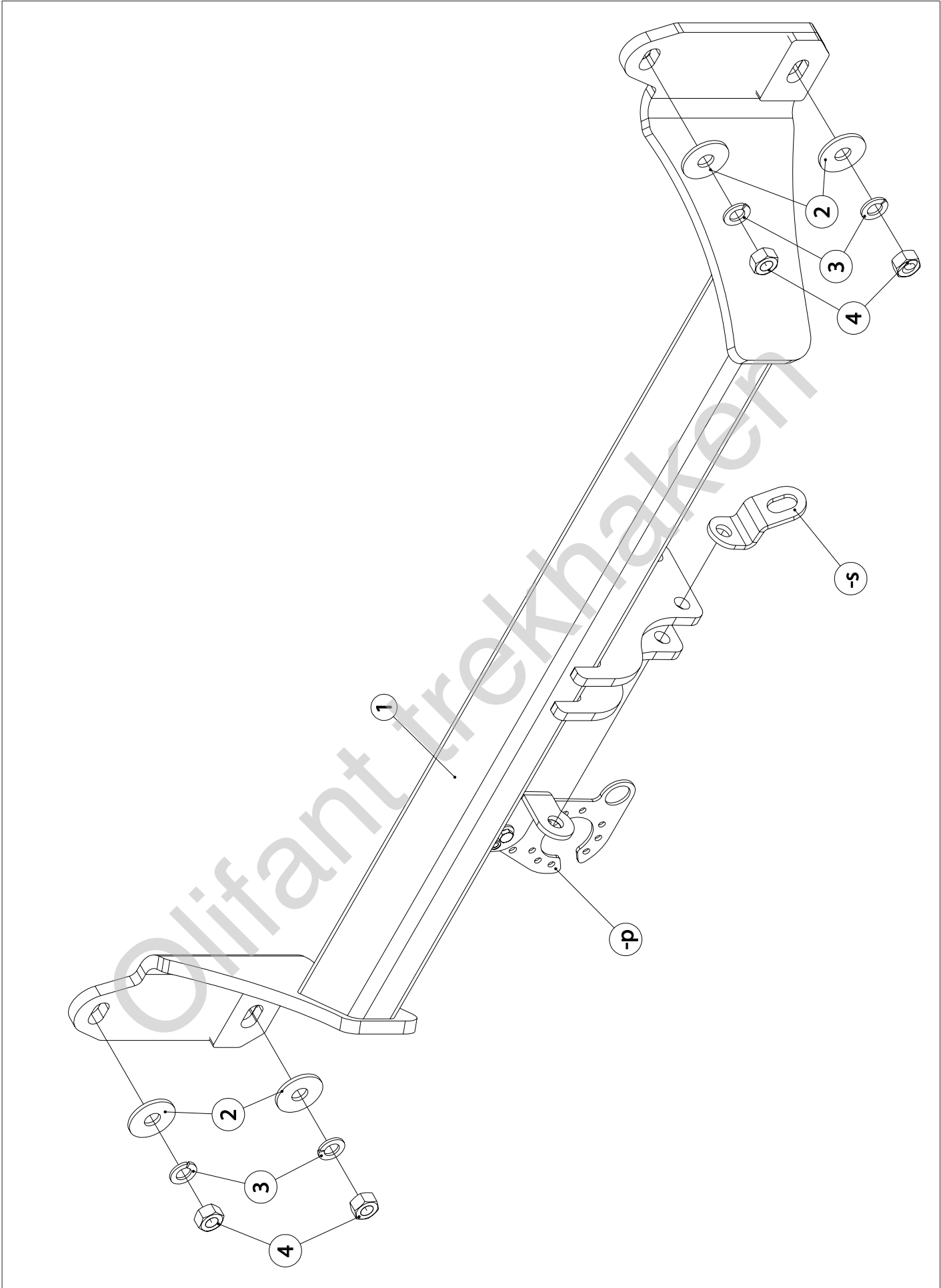


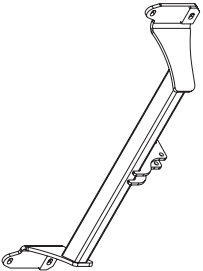
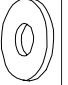


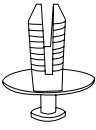

helpdesk@gdwtowbars.com

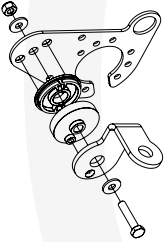

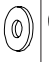


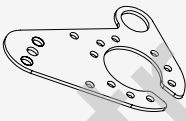


+32 56 62 77 79

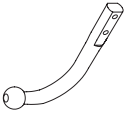
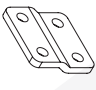



Monday	08:00 - 12:00	12:30 - 16:30
Tuesday	08:00 - 12:00	12:30 - 16:30
Wednesday	08:00 - 12:00	12:30 - 16:30
Thursday	08:00 - 12:00	12:30 - 16:30
Friday	08:00 - 12:00	12:30 - 15:30






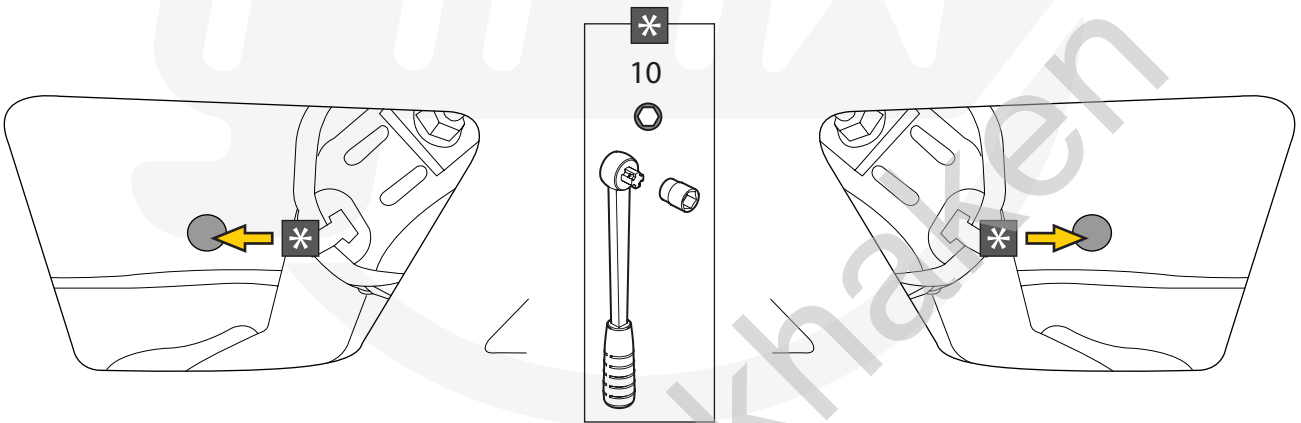
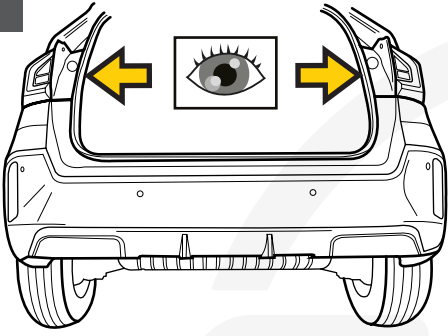
1		X1	GDW REF. 2722
2		X4	DIN9021-M12-ELVZ
3		X4	DIN128A-M12
4		X4	DIN934-M12X1,5-KL10
5		X6	GDW REF. 5
-S		X1	GDW REF. 900.053

-P		X1	GDW REF. P39
↑		X1	DIN985-M6
↑		X2	6,2 X 15,4 X 1,6 (NYLON)
↑		X1	GDW REF. 718.16.002
↑		X1	GDW REF. 718.16.003
↑		X1	GDW REF. 908.094
↑		X1	DIN933-M6 X 30
↑		X1	GDW REF. 908.095

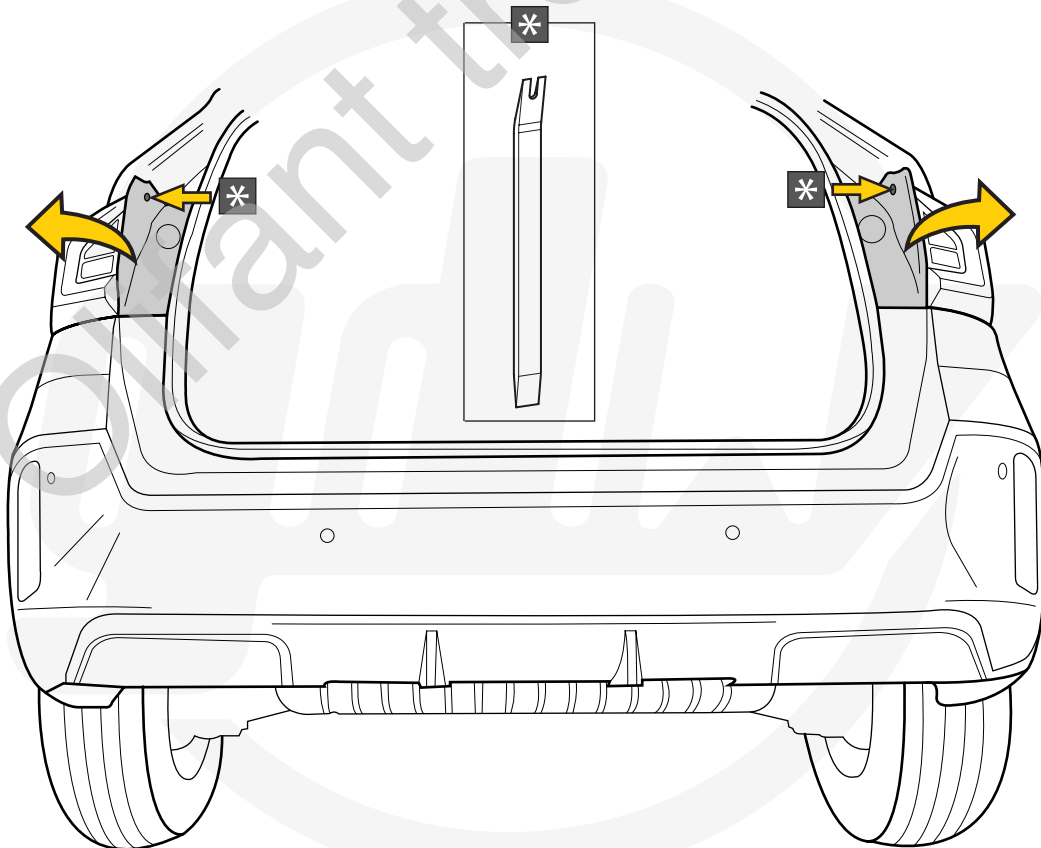
Geleverd met - Livré avec - Delivered with Gefleert mit - Elementos adjuntos-Leveres med		
	X1	944.H006
	X2	GDW REF. 900.008
	X2	GDW REF. 900.011 Ø 21,3 X 11,7
	X4	DIN931-M12 X 70 -10.9
	X4	DIN985-M12 KL.10.9

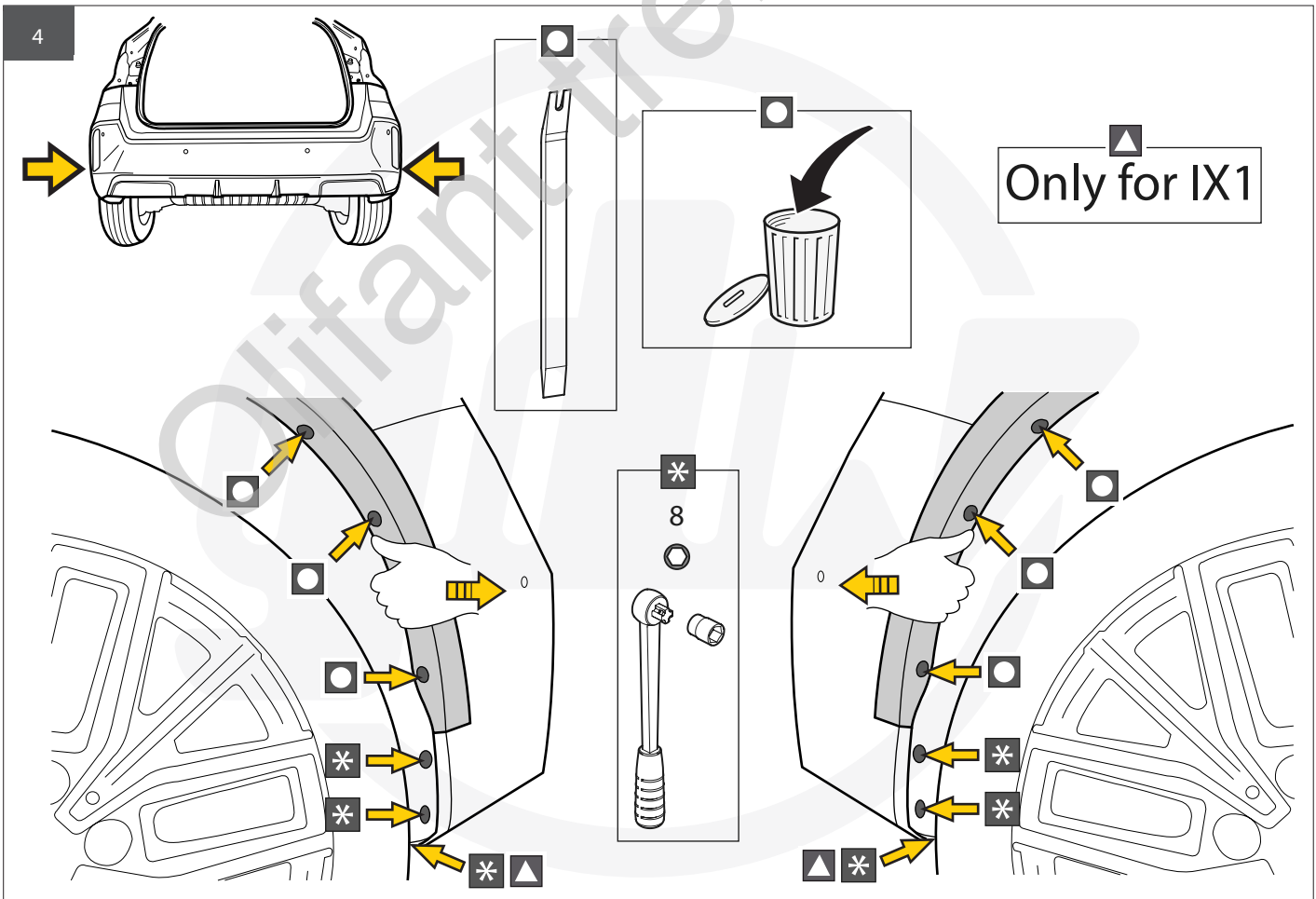
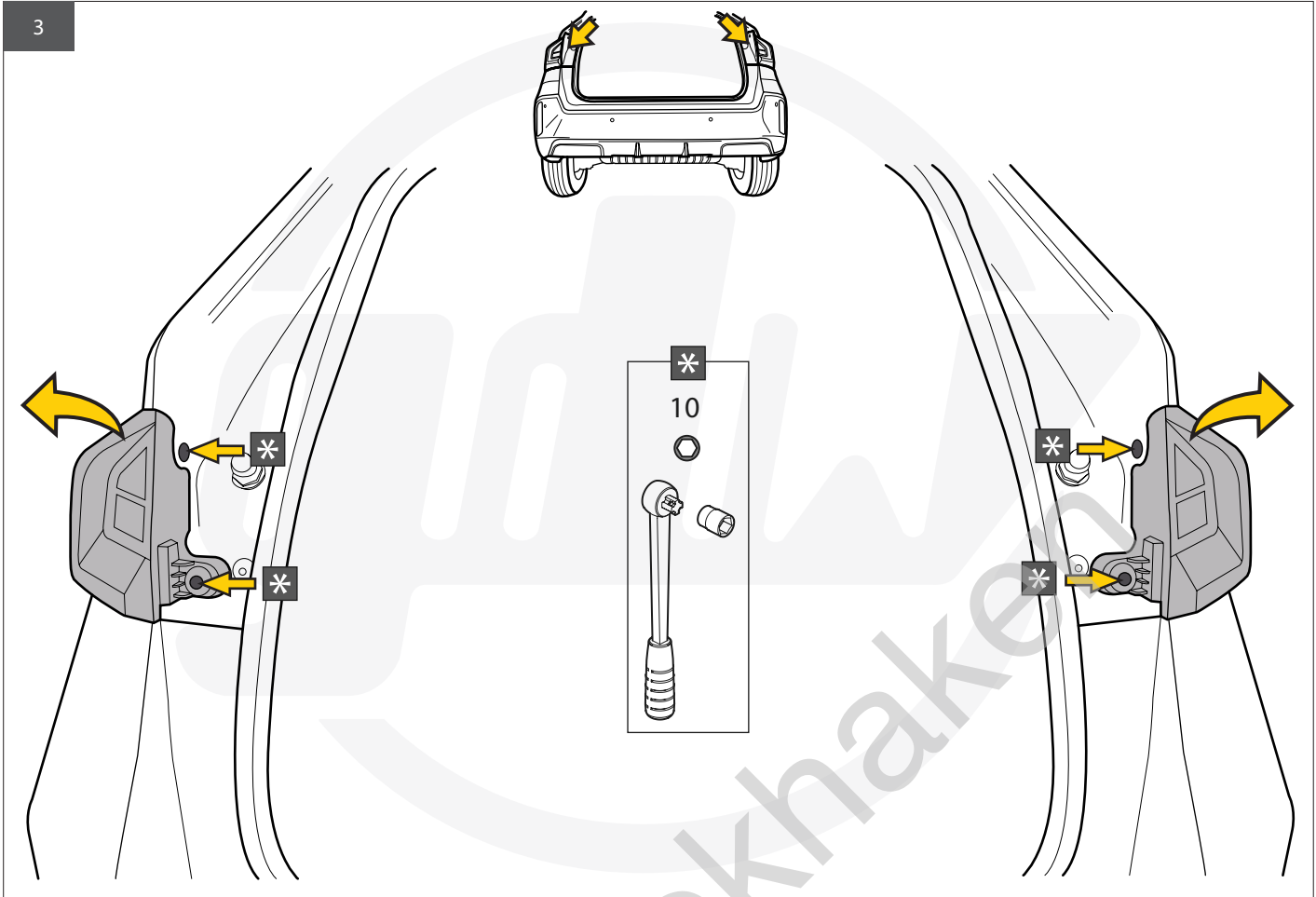
OPTION T36		
	X1	KIT T36-2722

1

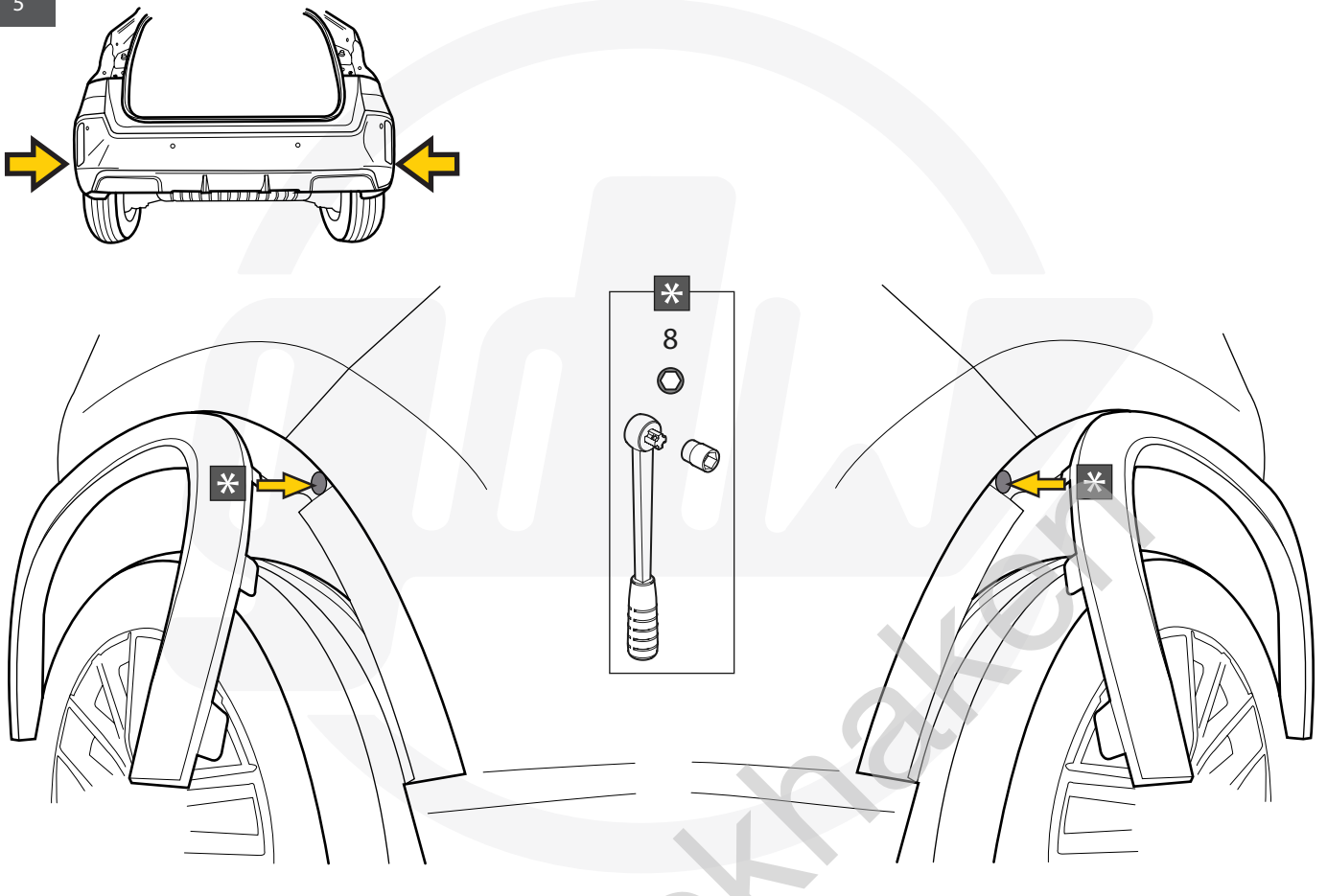


2

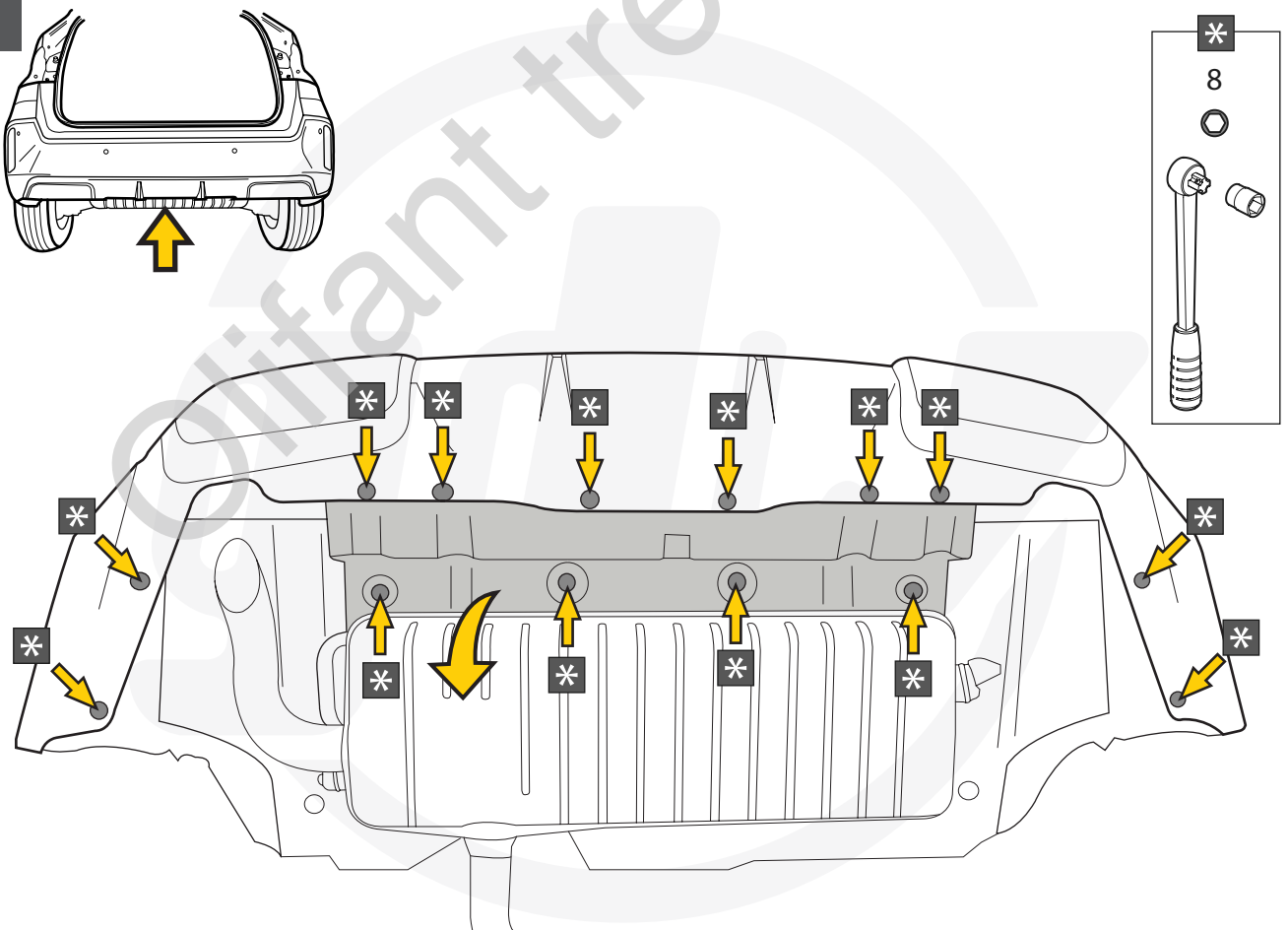




5



6

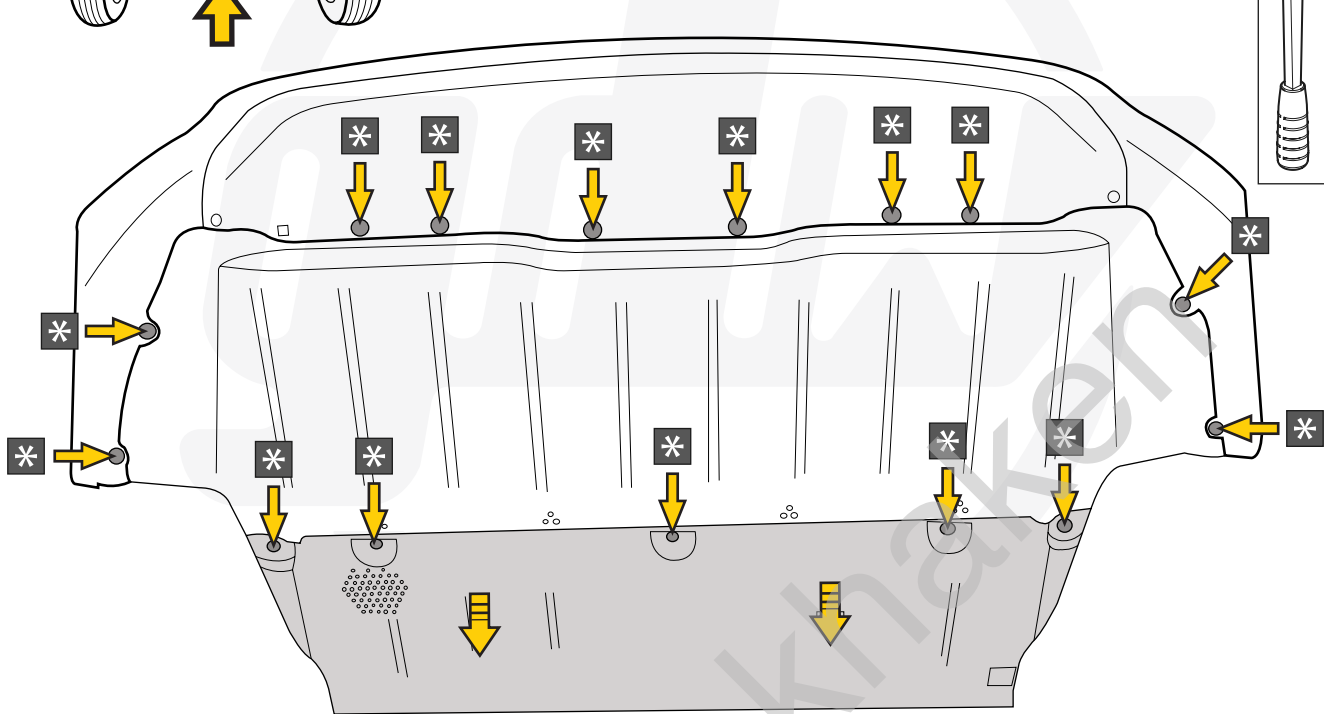
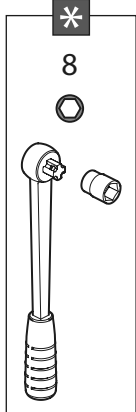


7

Only for IX1

*

8

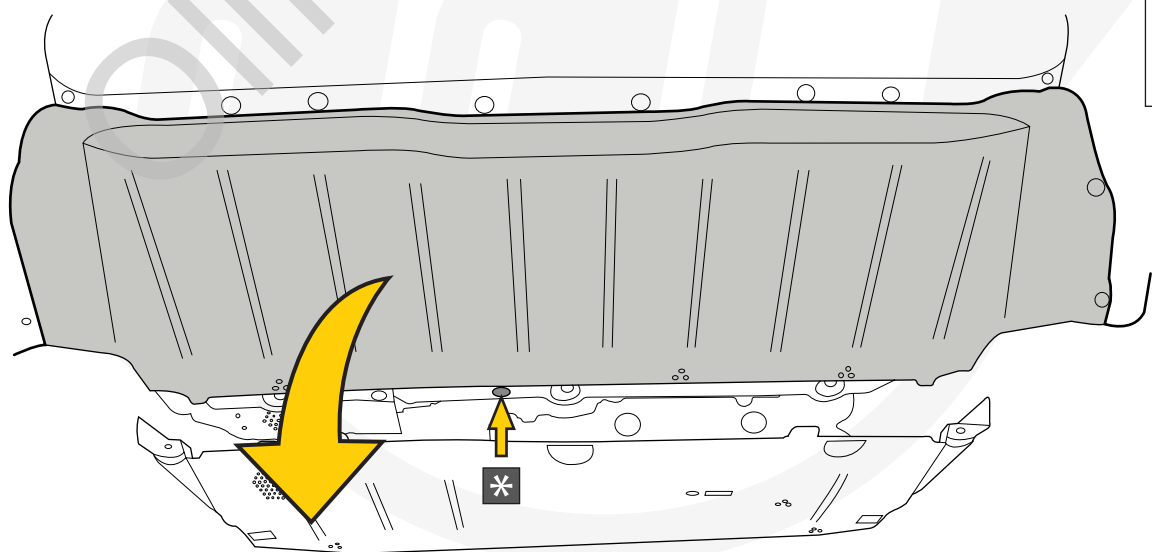
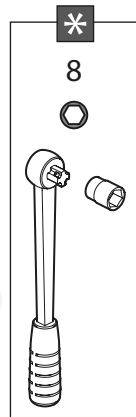


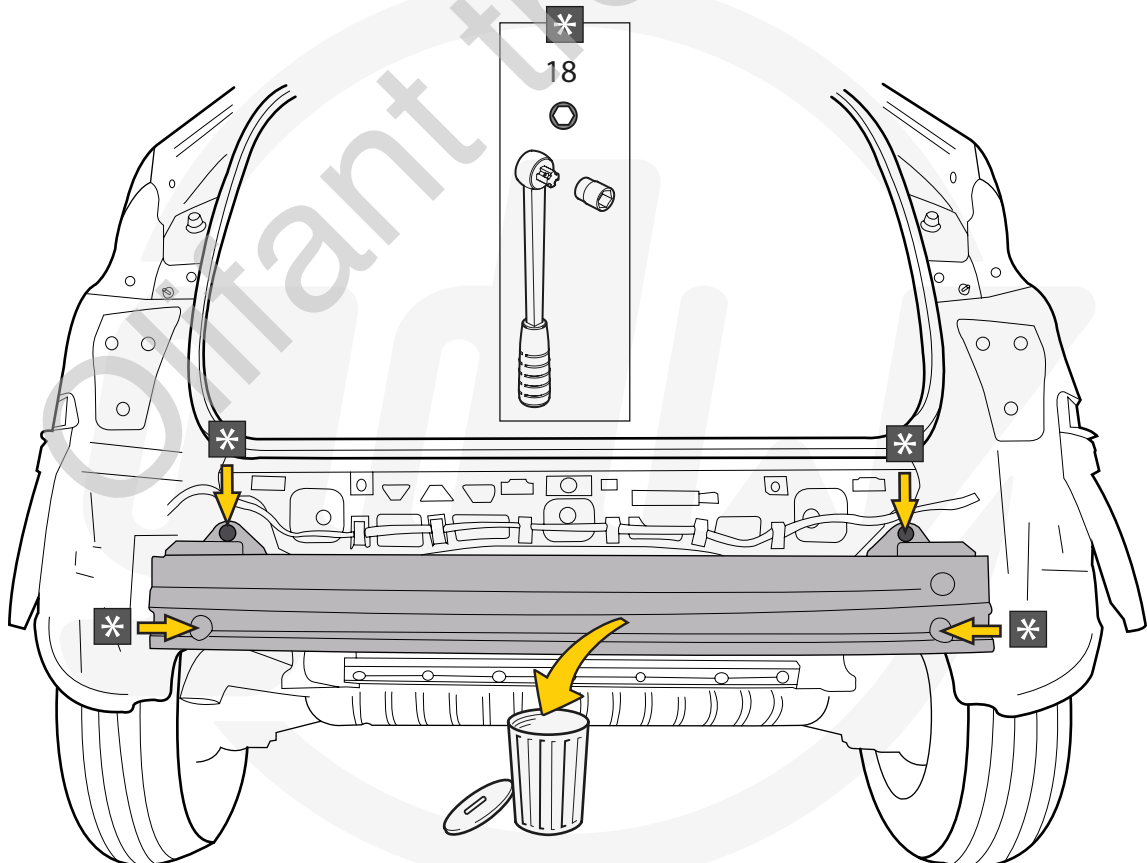
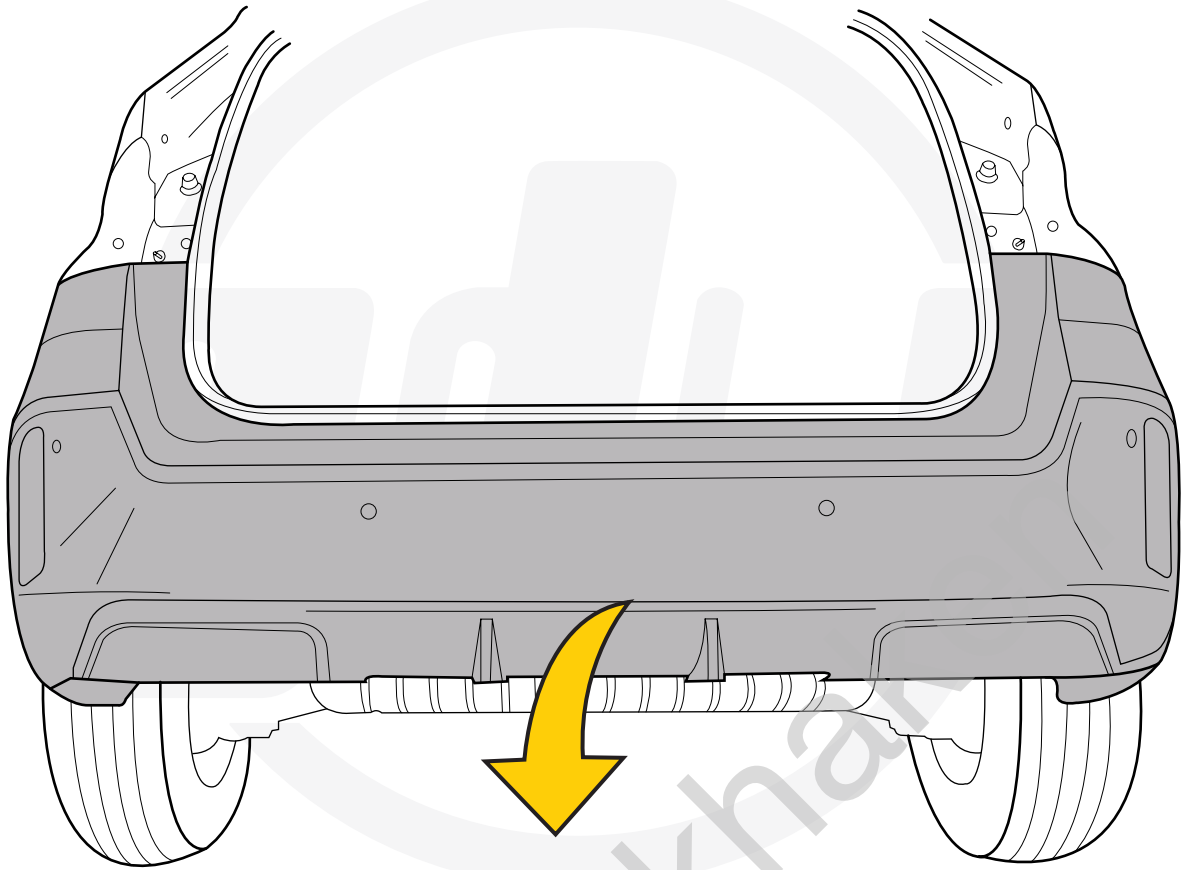
8

Only for IX1

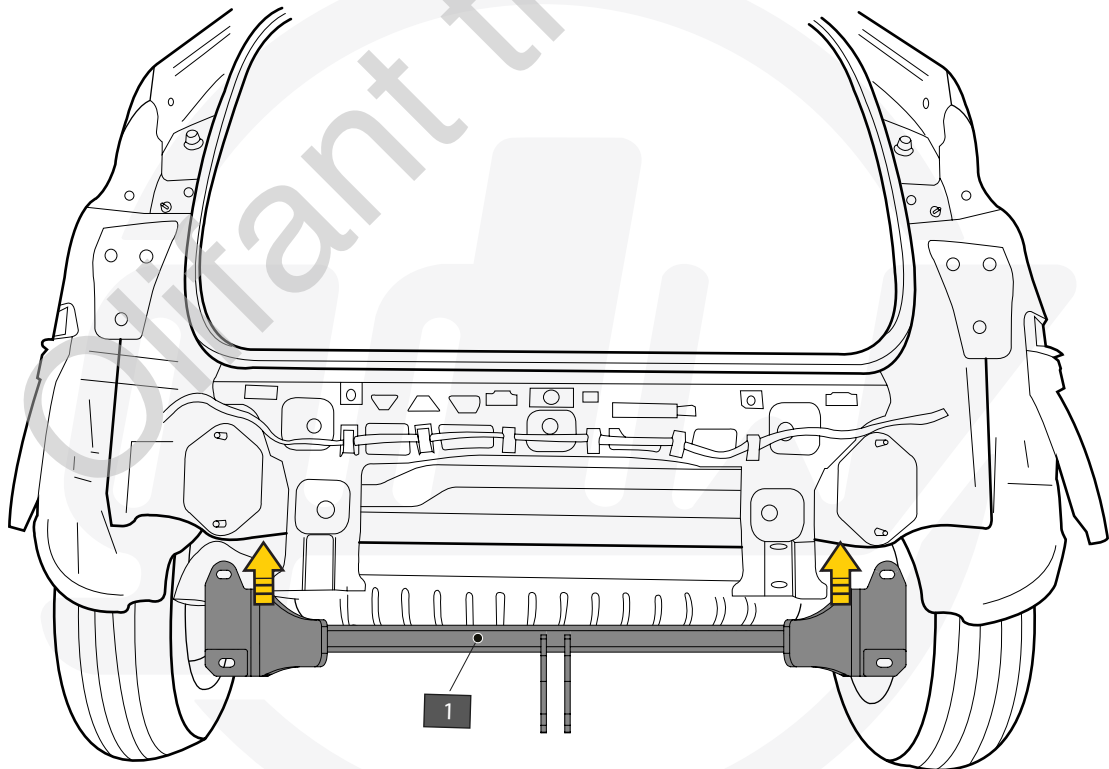
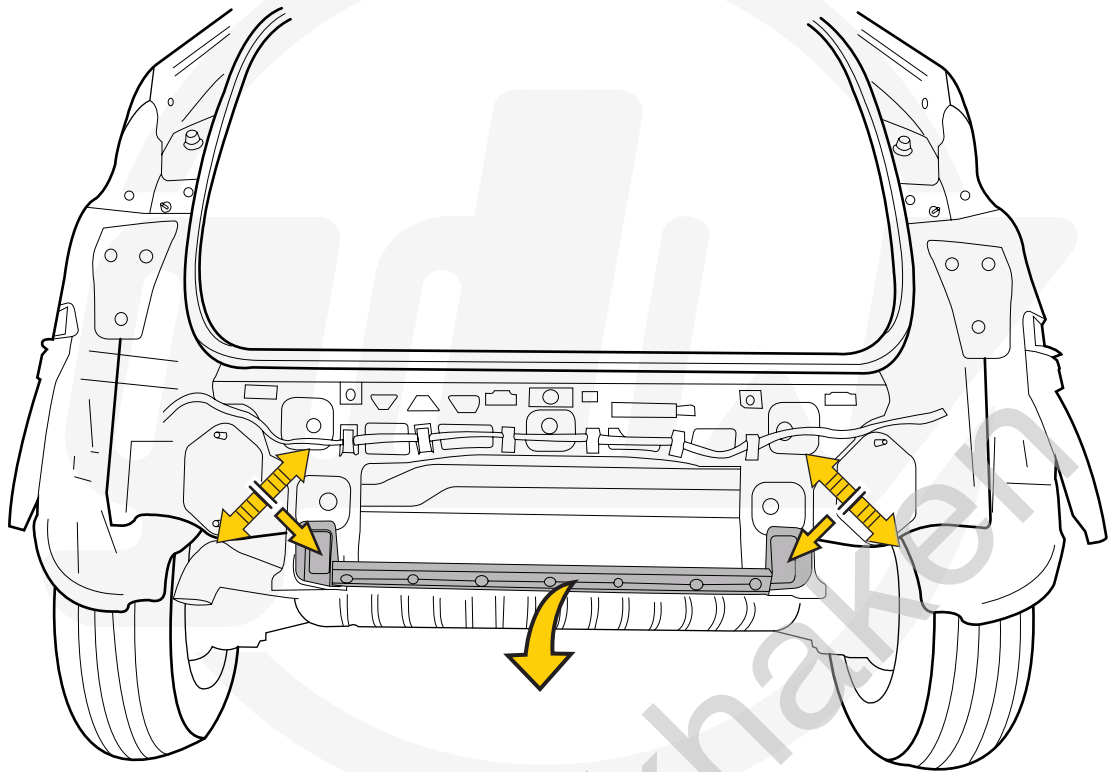
*

8

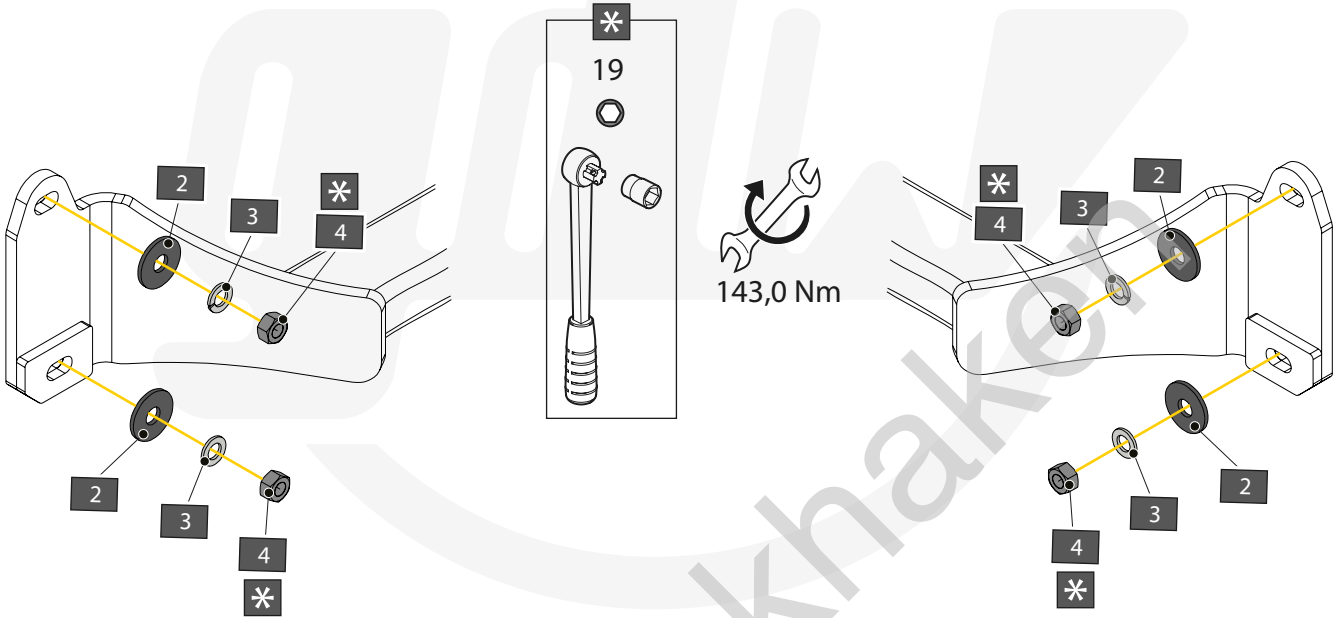
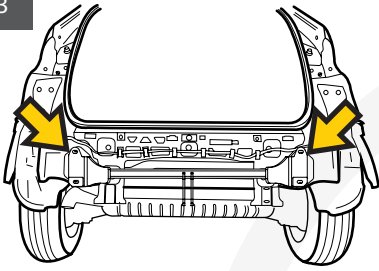




only for vehicles with kick-sensor

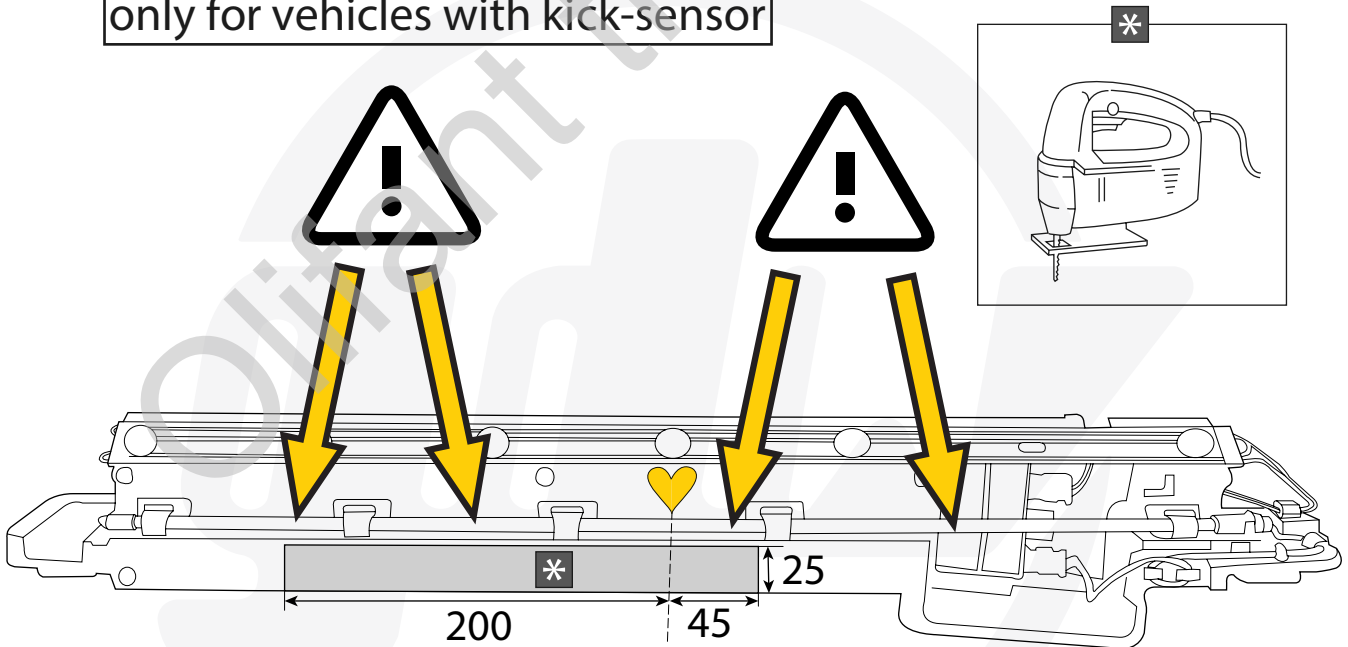


13

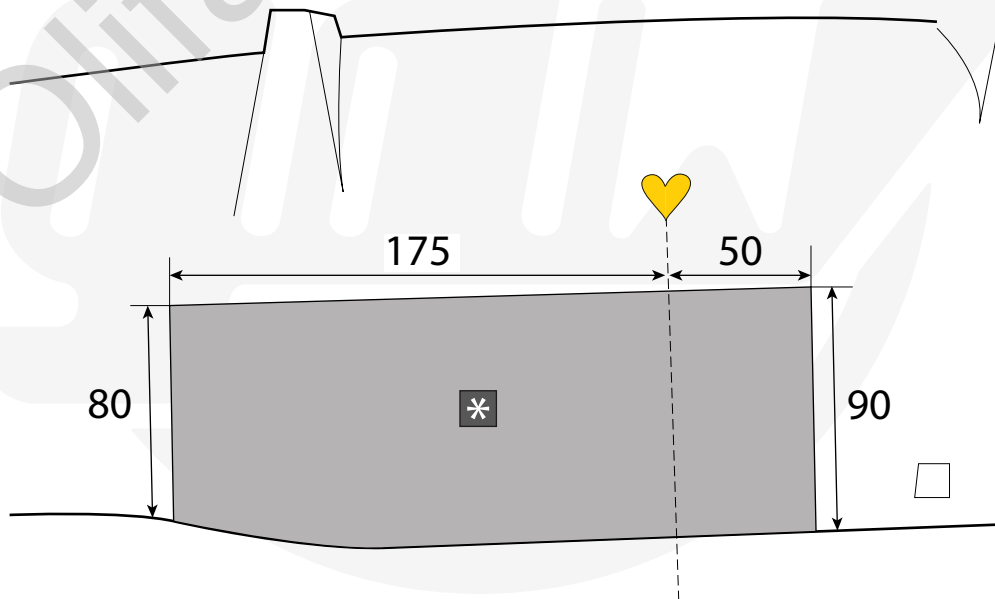
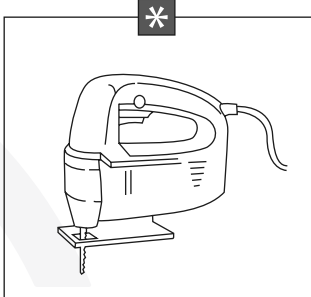
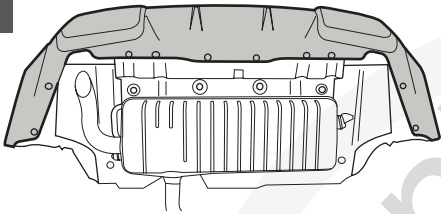
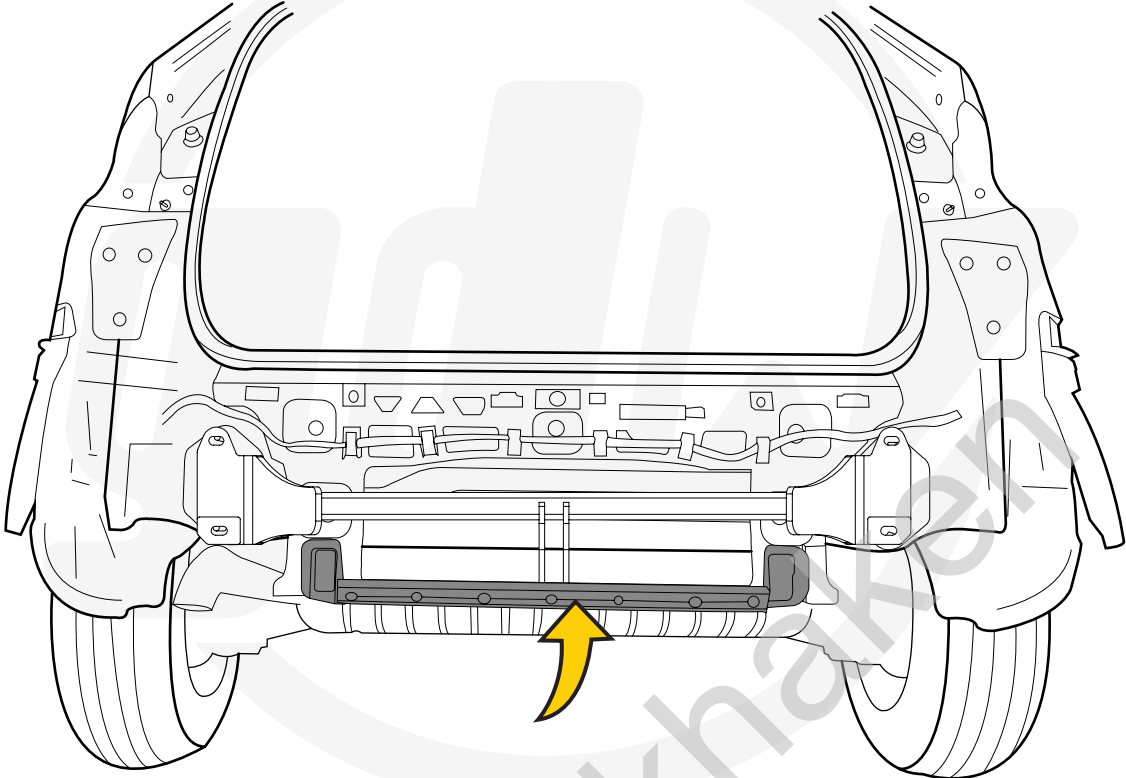


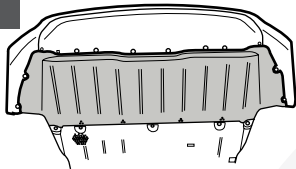
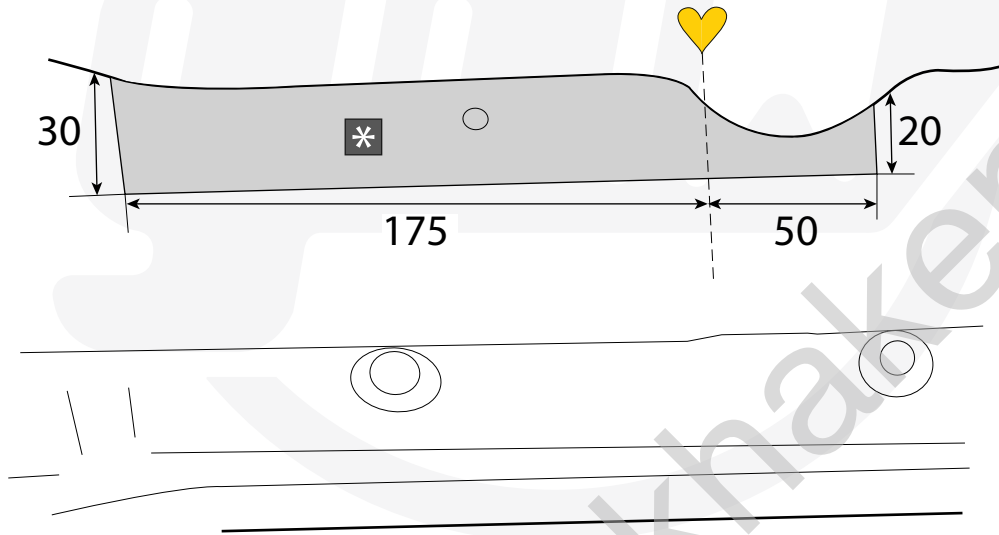
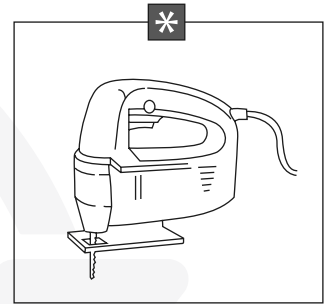
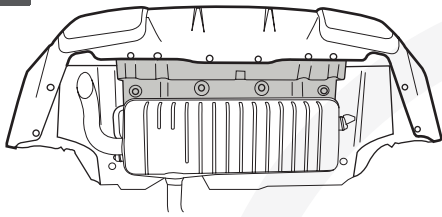
14

only for vehicles with kick-sensor

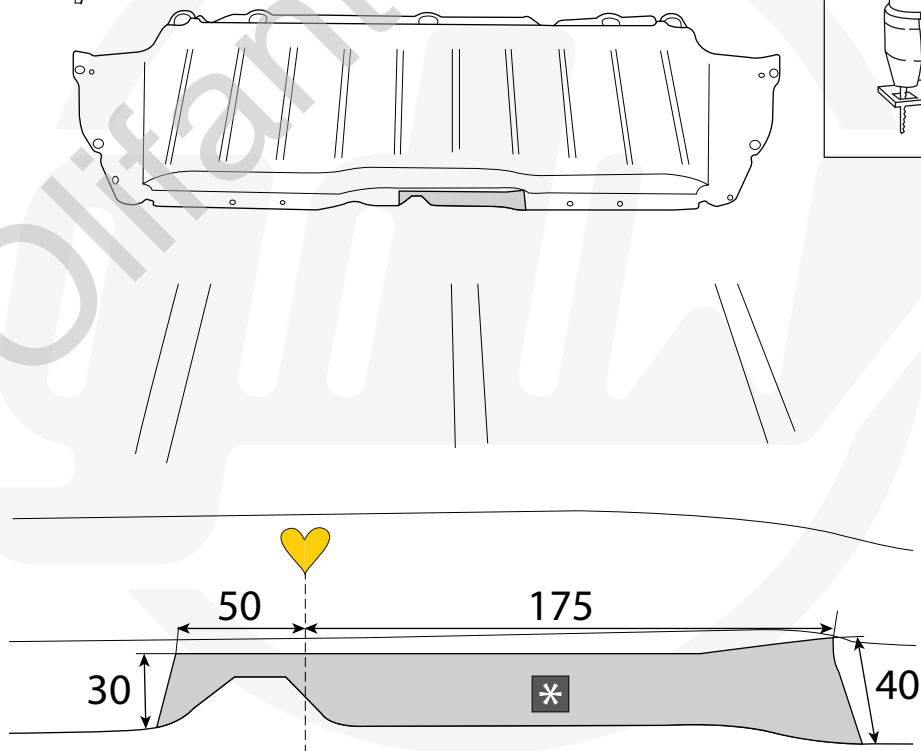
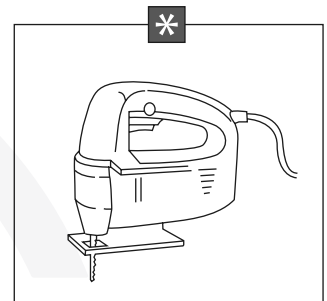


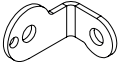




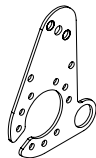
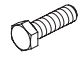
only for vehicles with kick-sensor

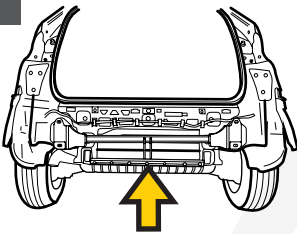
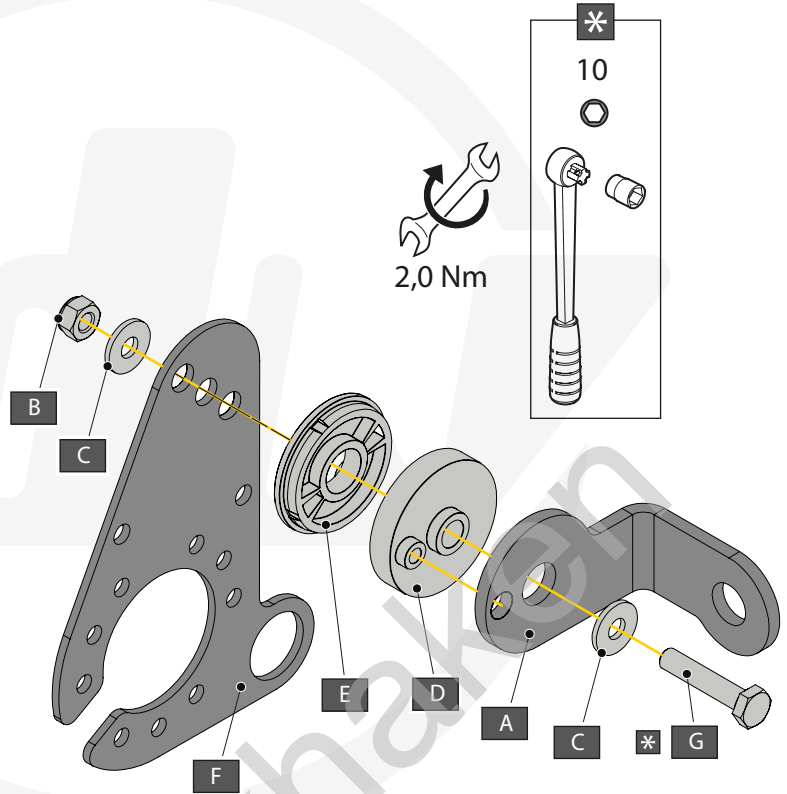





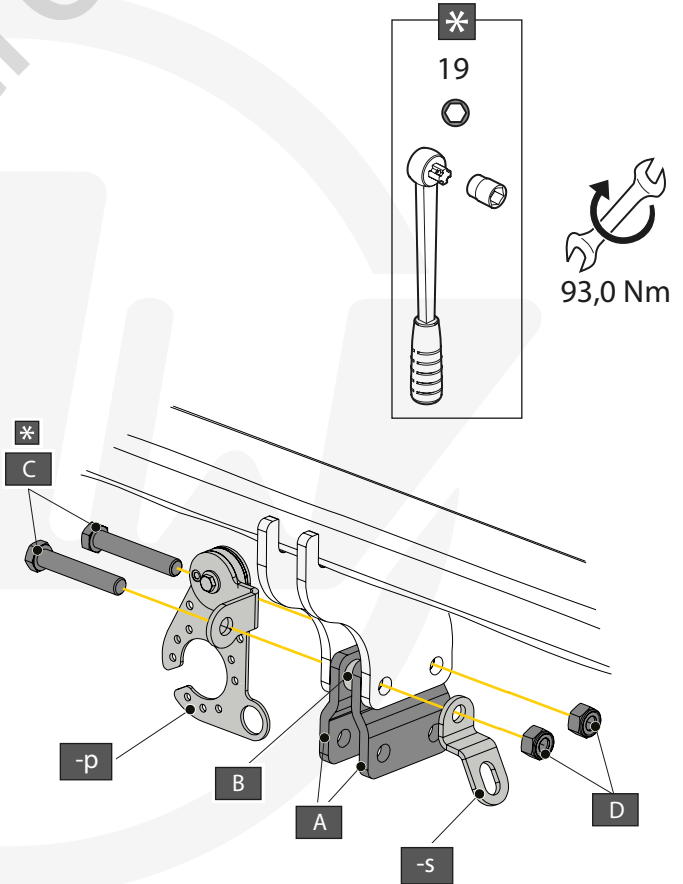
Only for IX1

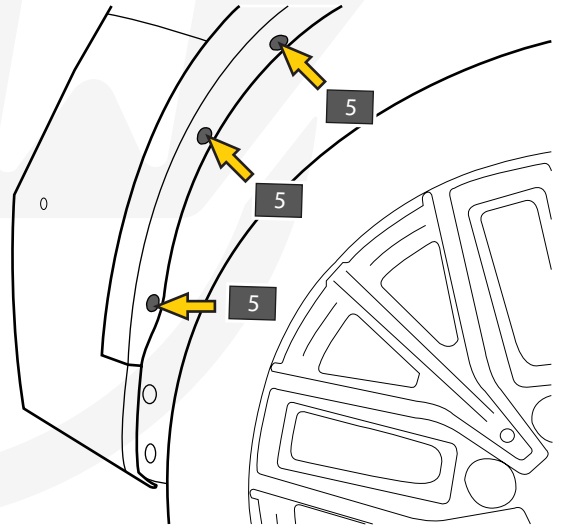
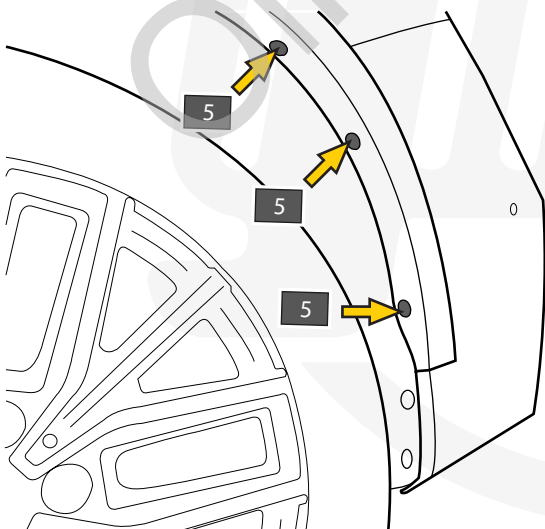
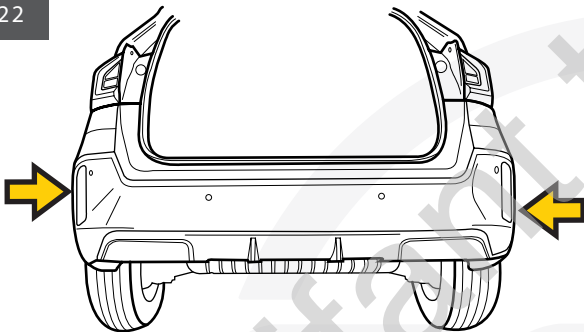
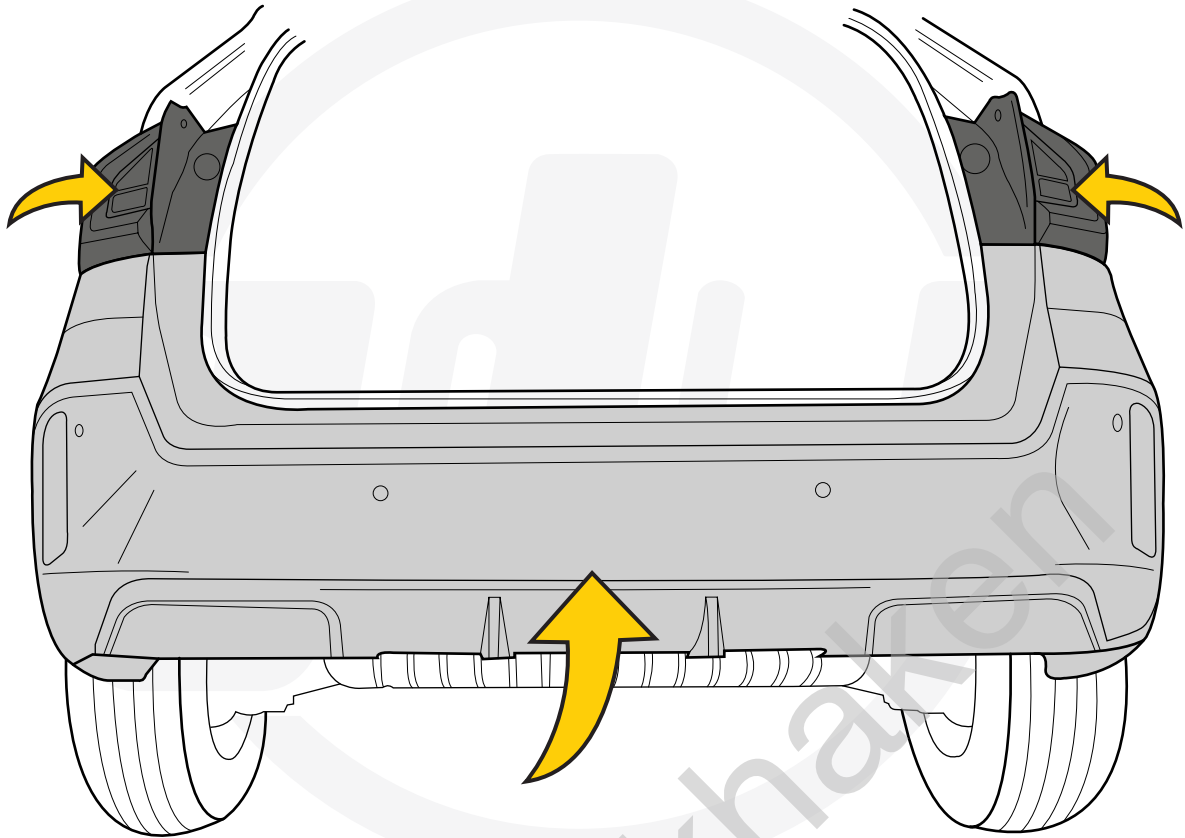


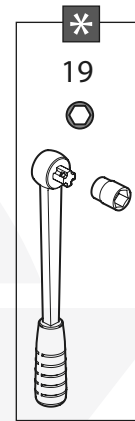
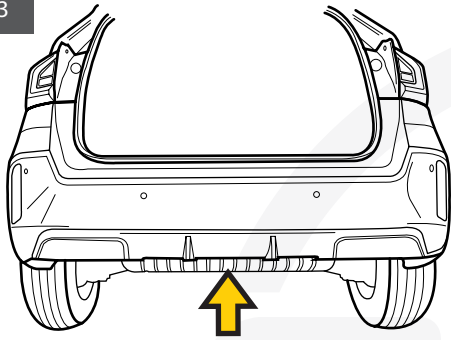
A		X1	GDW REF. 908.095
B		X1	DIN985-M6
C		X2	6,2 X 15,4 X 1,6 (NYLON)
D		X1	GDW REF. 718.16.002
E		X1	GDW REF. 718.16.003
F		X1	GDW REF. 908.094
G		X1	DIN933-M6 X 30



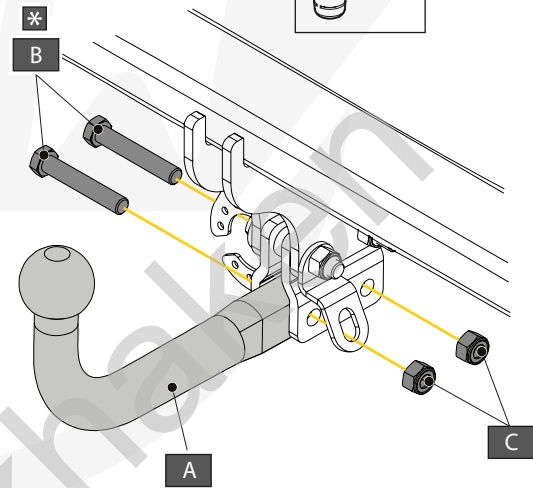
A		X2	GDW REF. 900.008
B		X2	GDW REF. 900.011 Ø 21,3 X 11,7
C		X2	DIN931-M12 X 70 -10,9
D		X2	DIN985-M12 KL10.9
-S		X1	GDW REF. 900.053





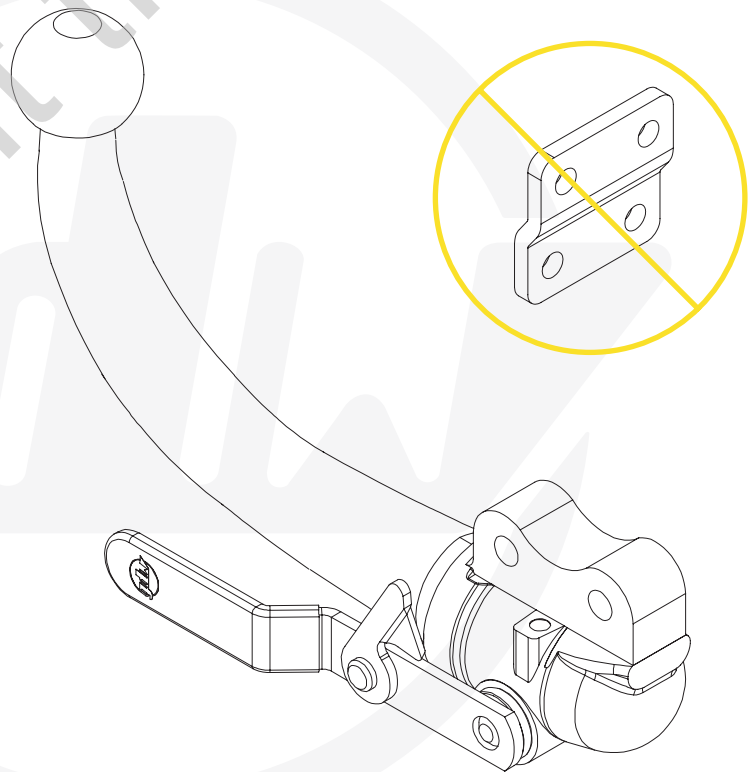


93,0 Nm



A		X1	944.H006
B		X2	DIN931-M12 X 70
C		X2	DIN985-M12

AFN Opties - Options - Options - Optionen - Opciones - Muligheder



OPTION T36

	X1	KITT36-2722
--	----	-------------