

AUTO-HAK Sp. z o.o.

ul. Słoneczna 16K 76-200 SŁUPSK
POLAND

tel/fax +48 59 8 414 414; +48 59 8 414 413

e-mail: office@autohak.com.pl

www.autohak.com.pl



AUTO-HAK



BMW 3

(E46), 4D, COUPE, CABRIO,
~~M Pakiet/M3/3.0 xd 150KW~~

⌚ 01.1998 - 01.2005

(E46), COMPACT, 3D,
~~M Pakiet~~

⌚ 07.2001 - 02.2005

(E46) TOURING, 4x4,
~~M Pakiet i 3.0 xd 150KW~~

⌚ 10.1999 - 08.2005

Cat. no:

B06A



2h

e20

e20*94/20*0402*00



D

9,8 kN

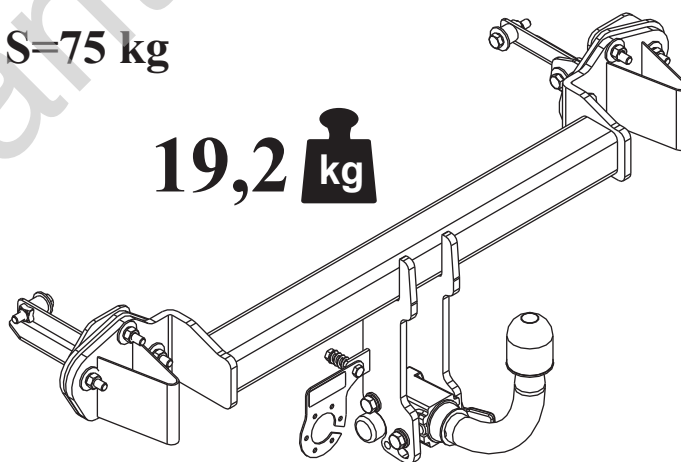


R=1800 kg



S=75 kg

19,2 kg



M6 - 11 Nm
M10 - 50 Nm
M14 - 138 Nm

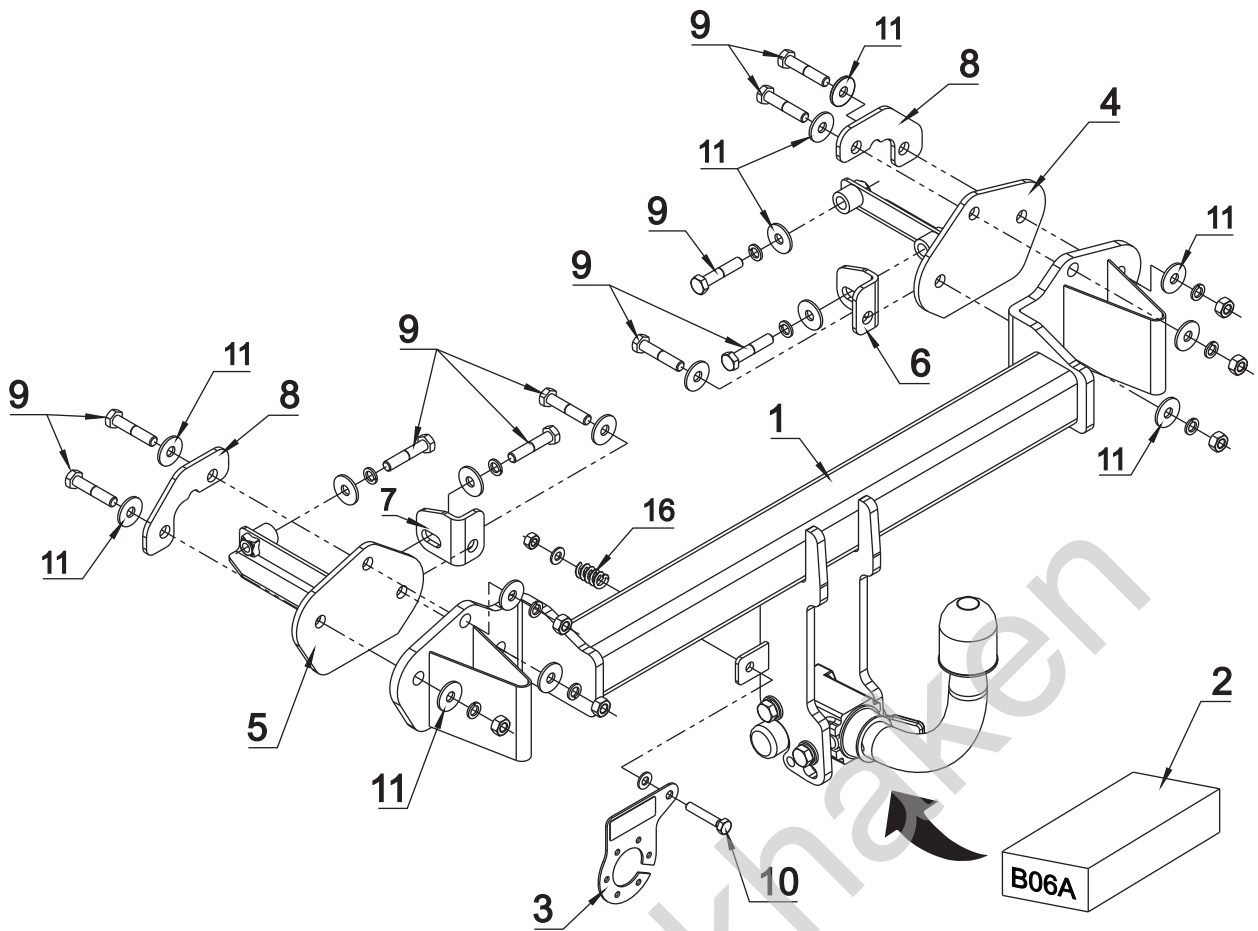
M8 - 25 Nm
M12 - 87 Nm
M16 - 210 Nm

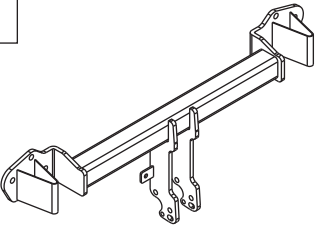


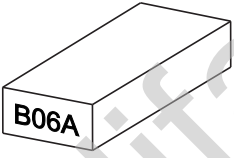




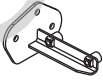
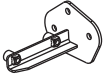
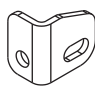
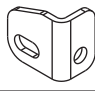



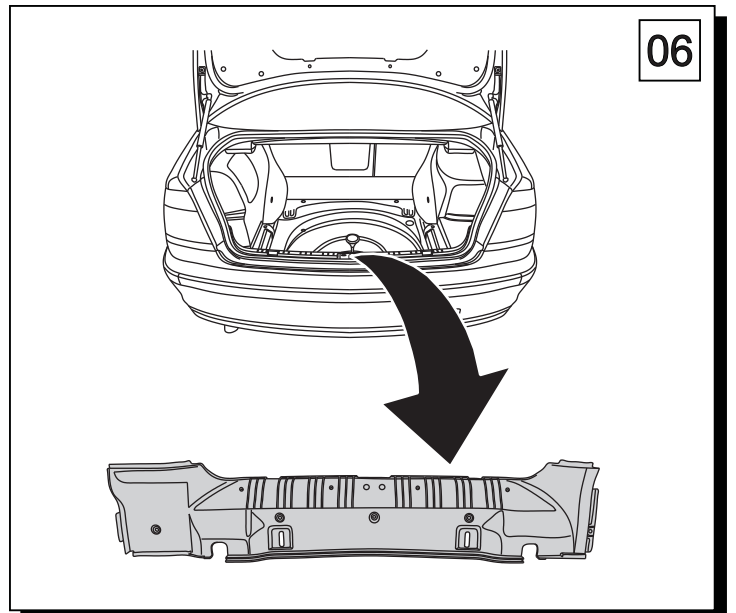
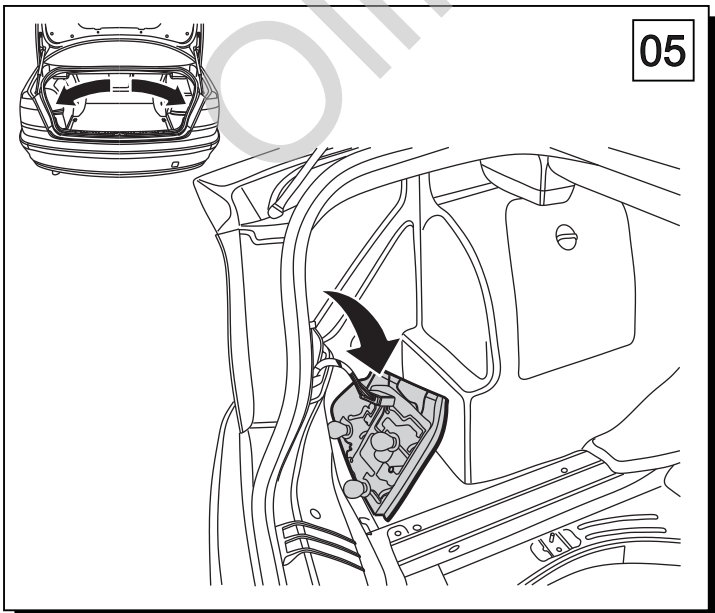
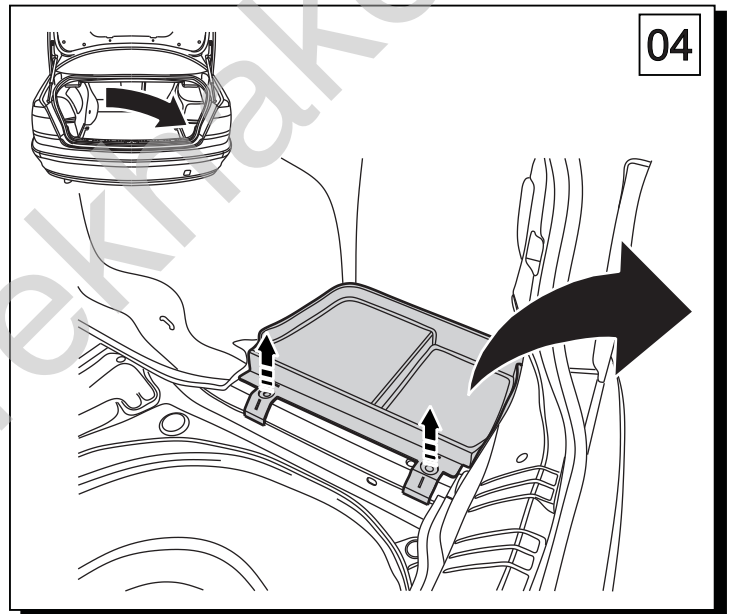
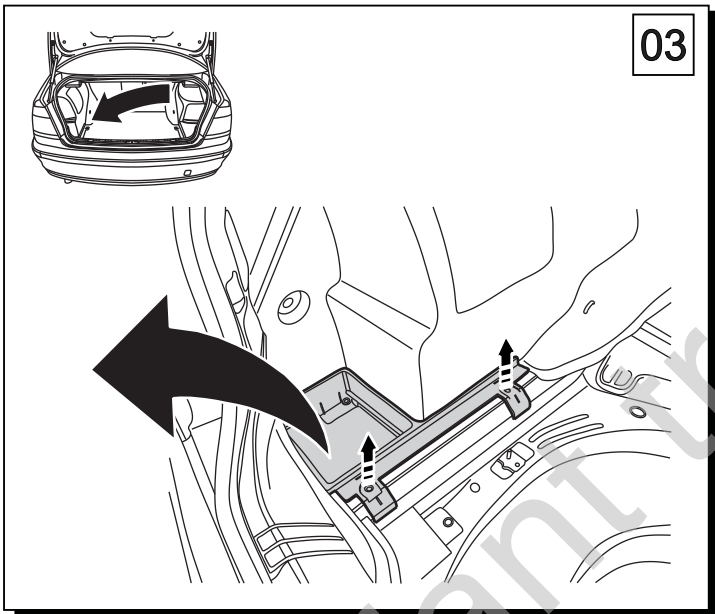
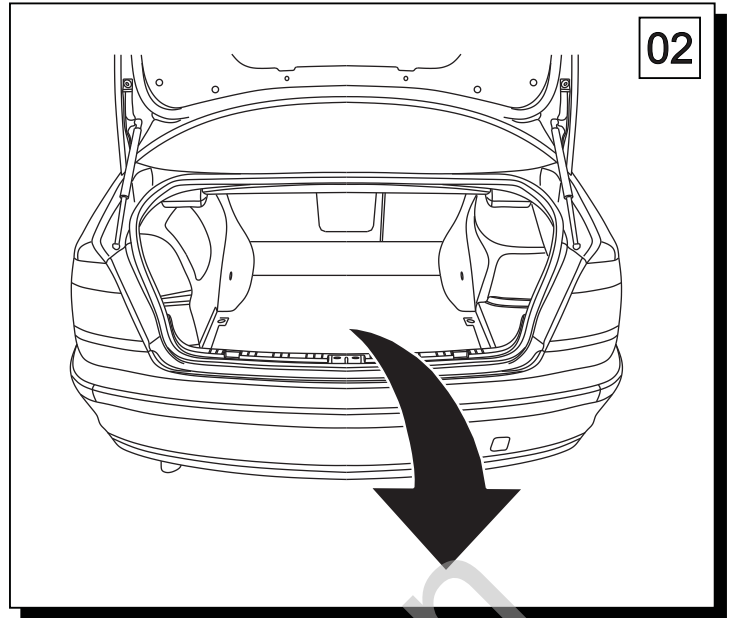
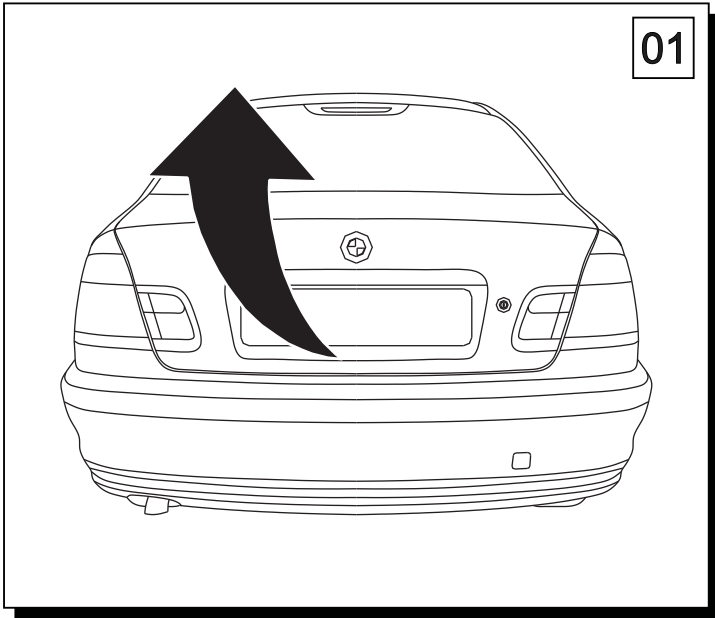
0 km →

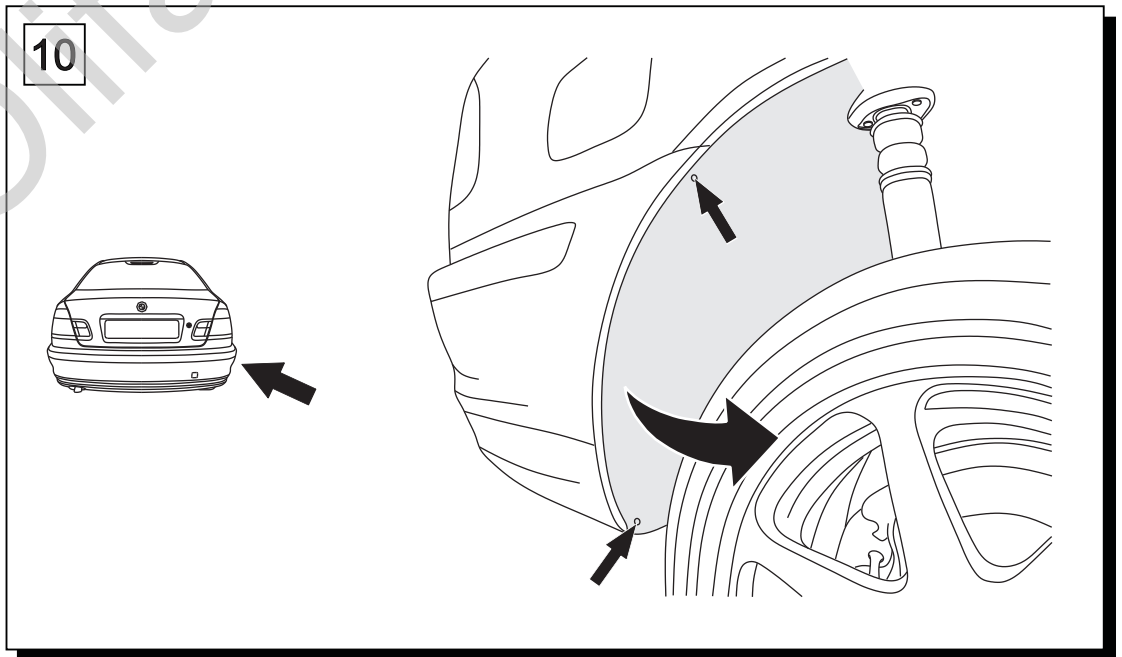
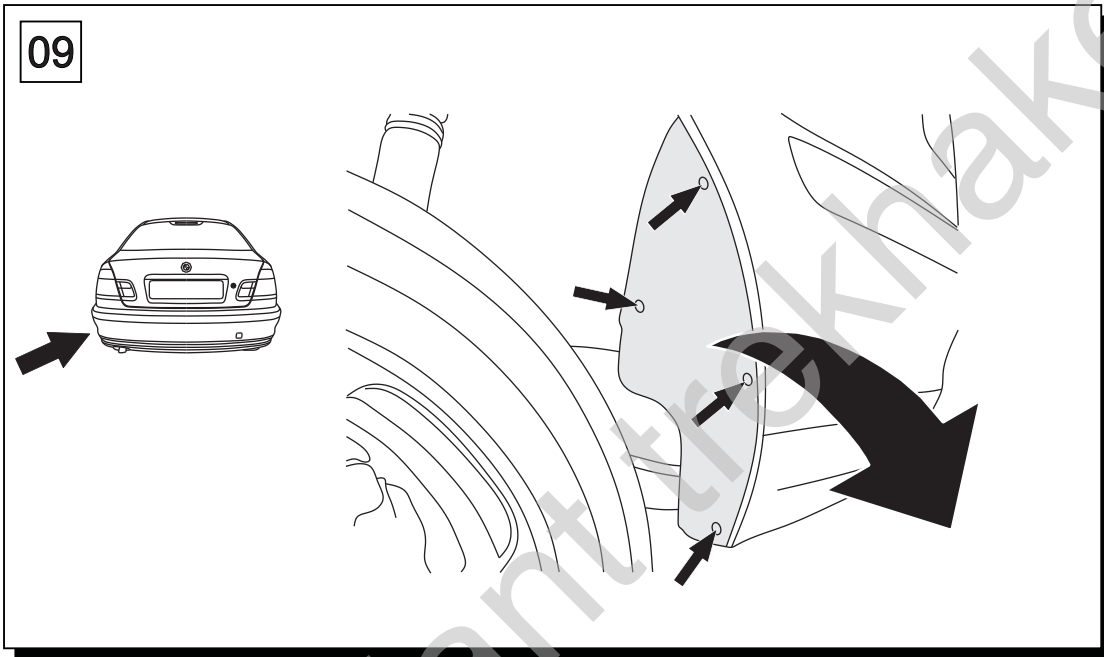
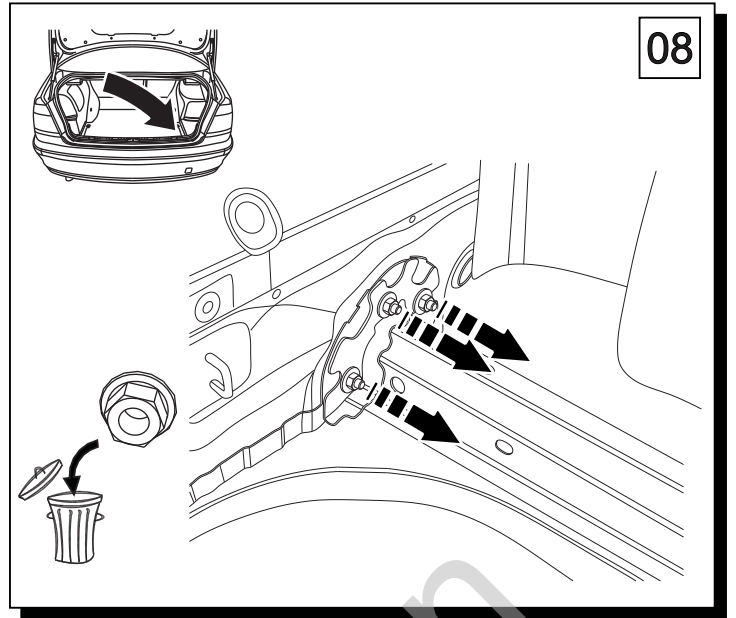
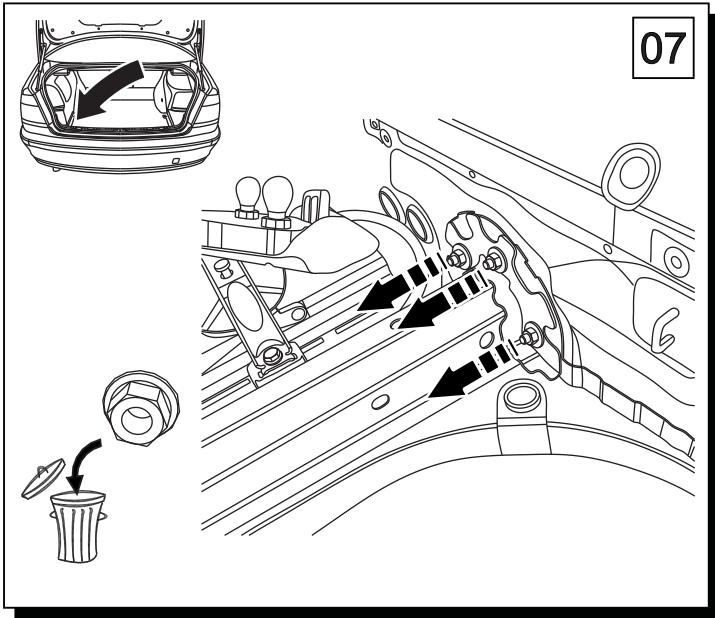


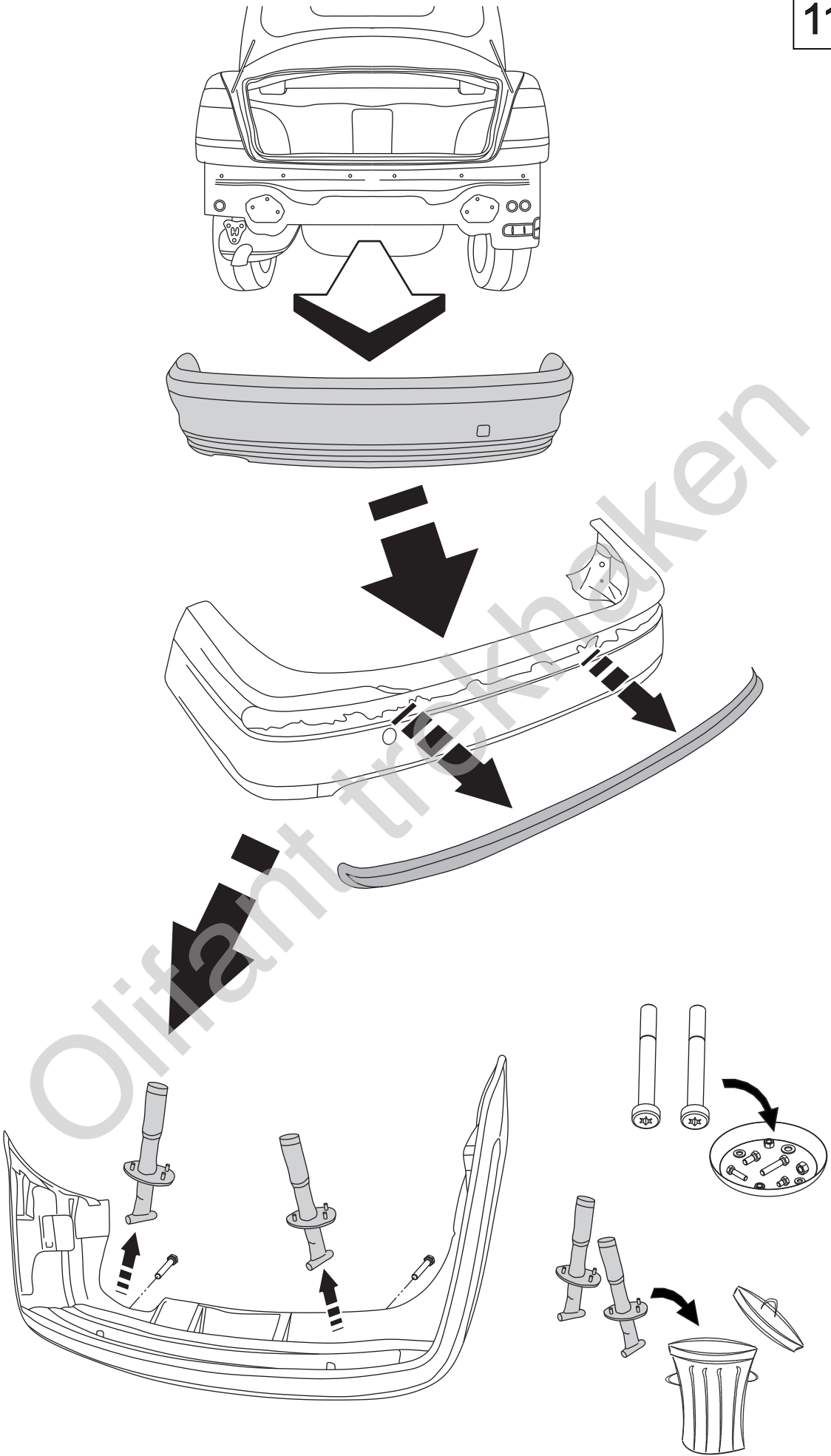
1000 km

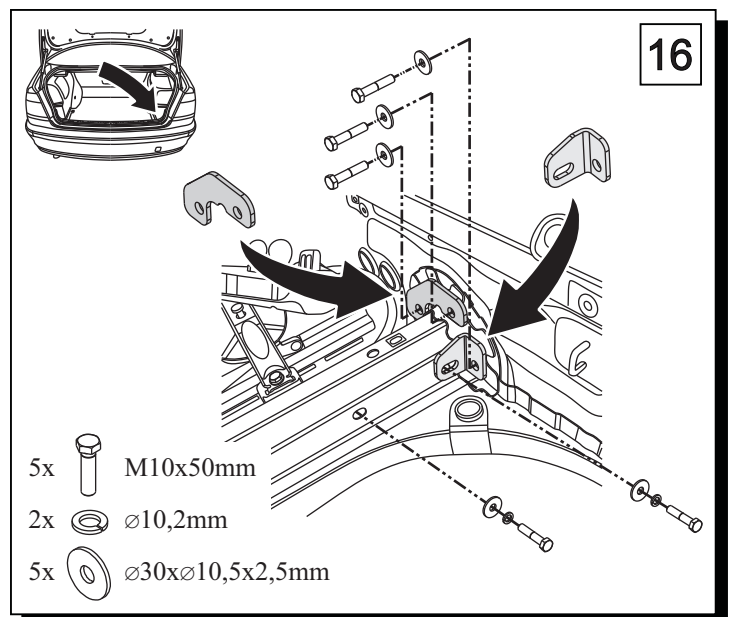
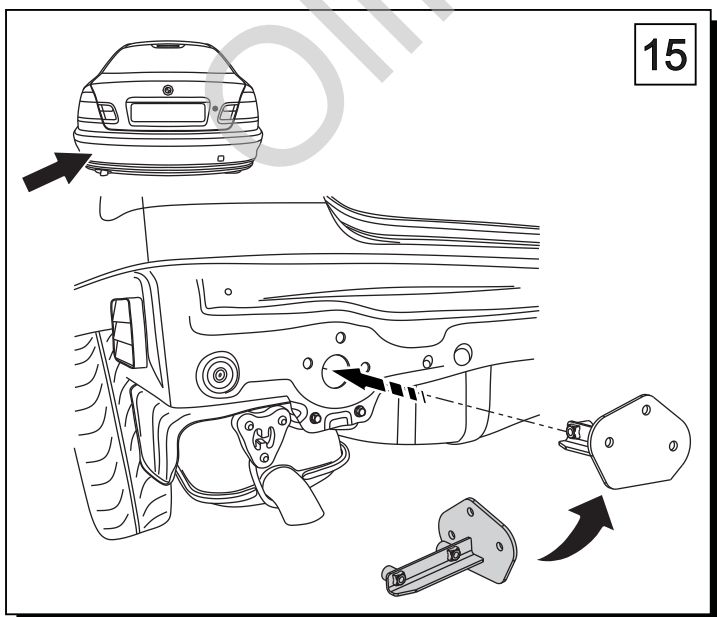
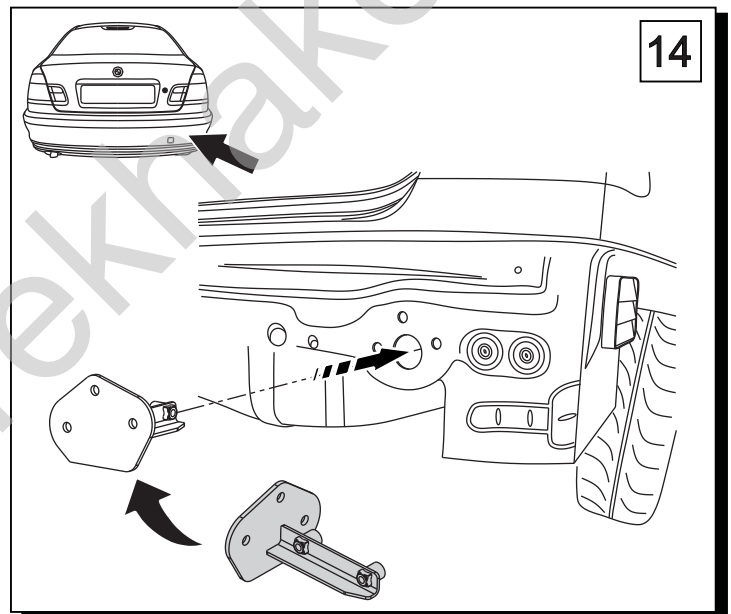
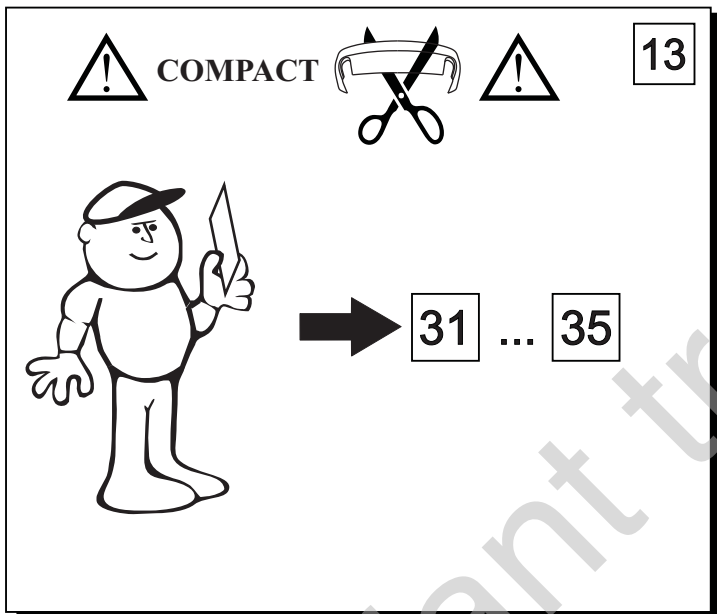
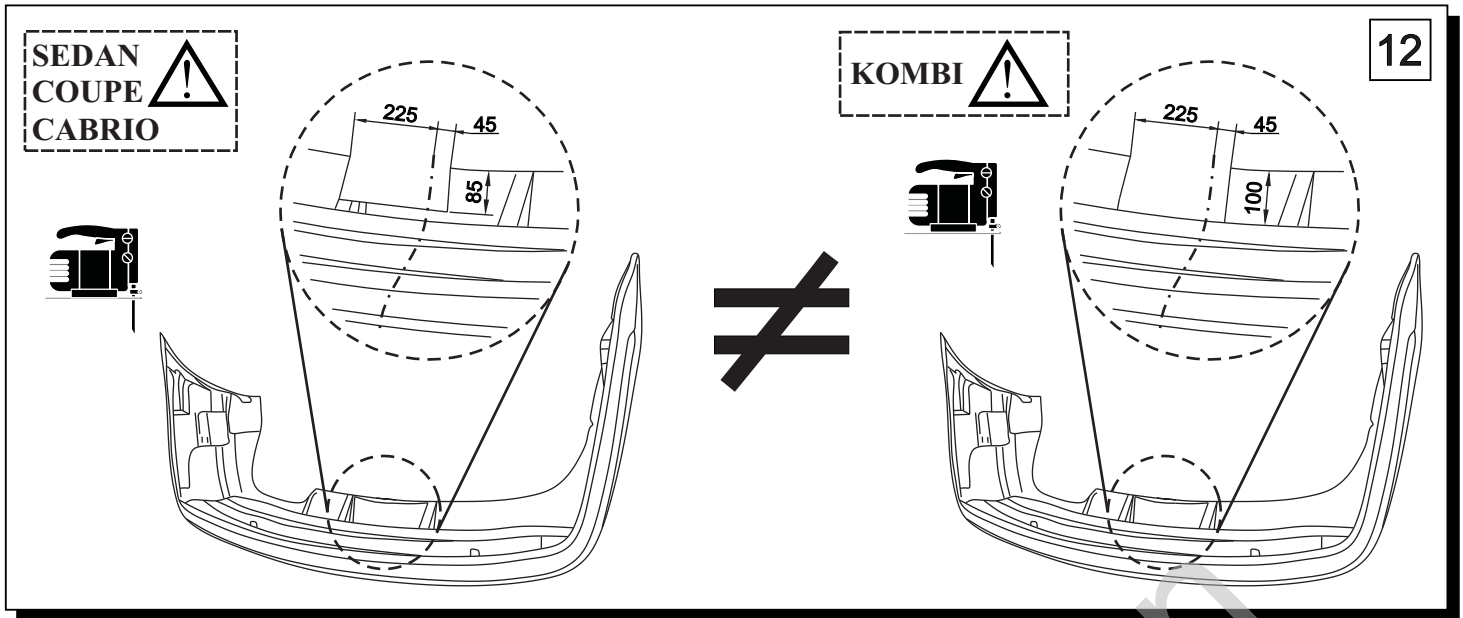


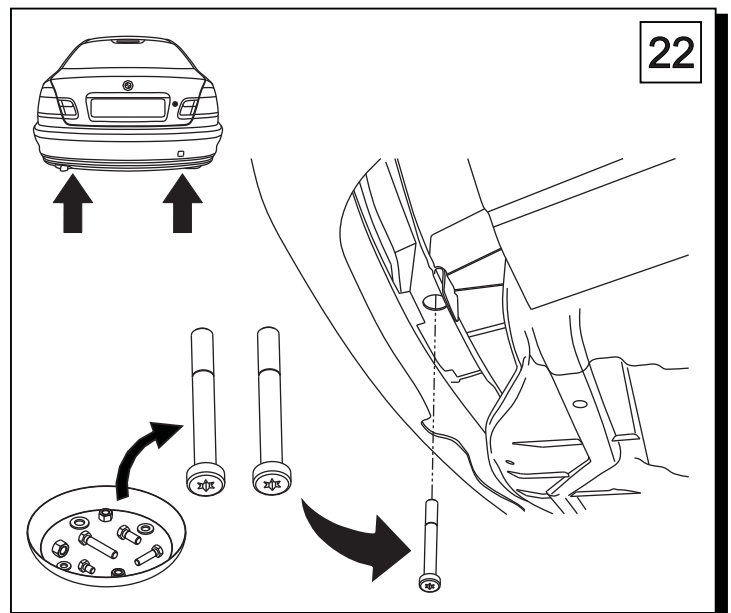
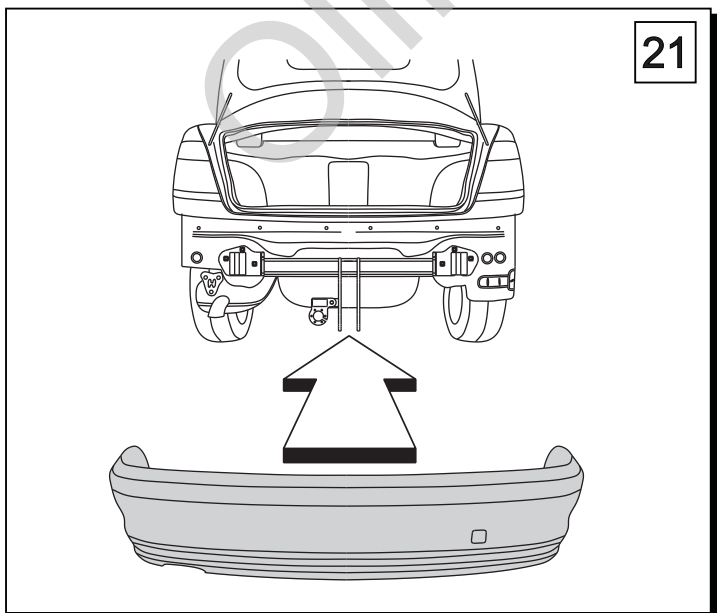
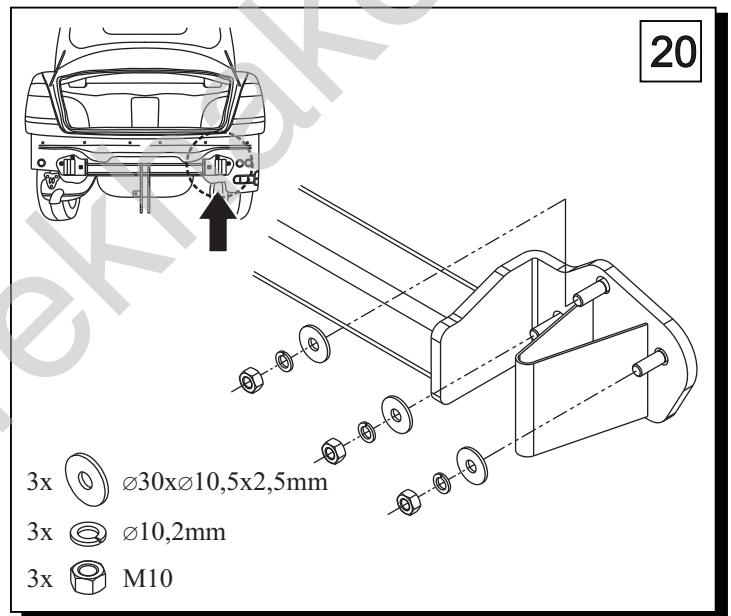
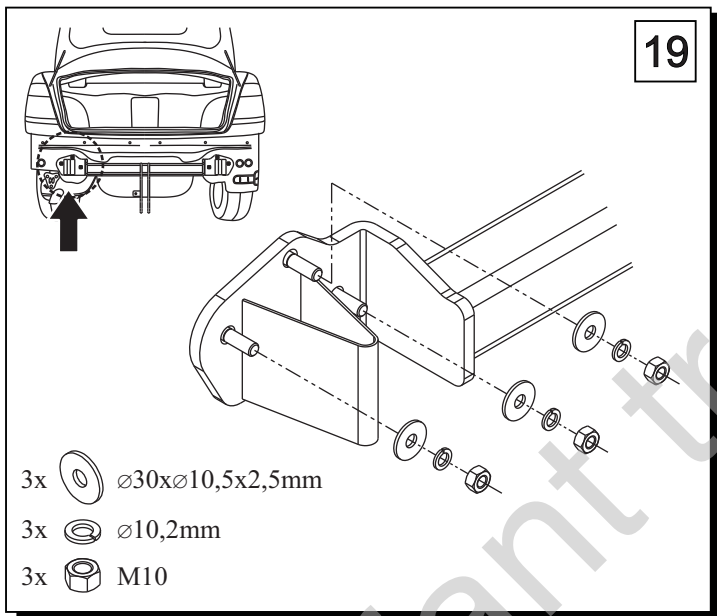
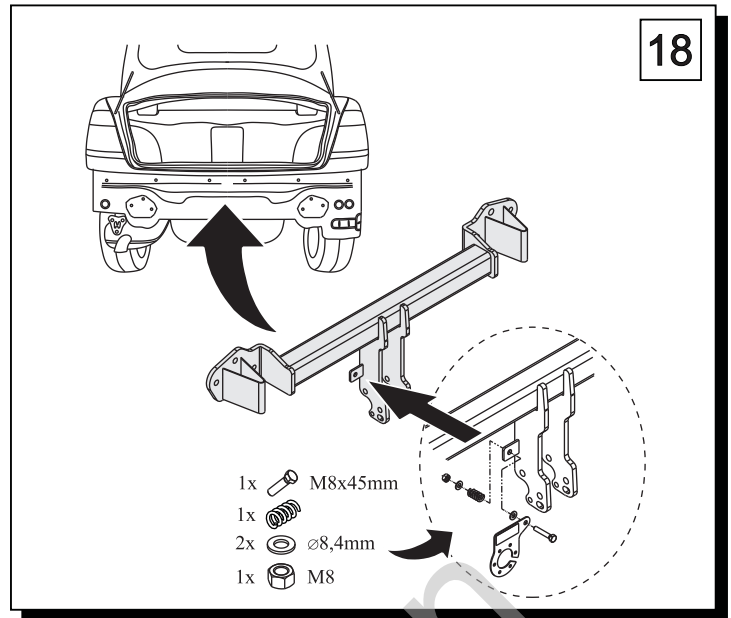
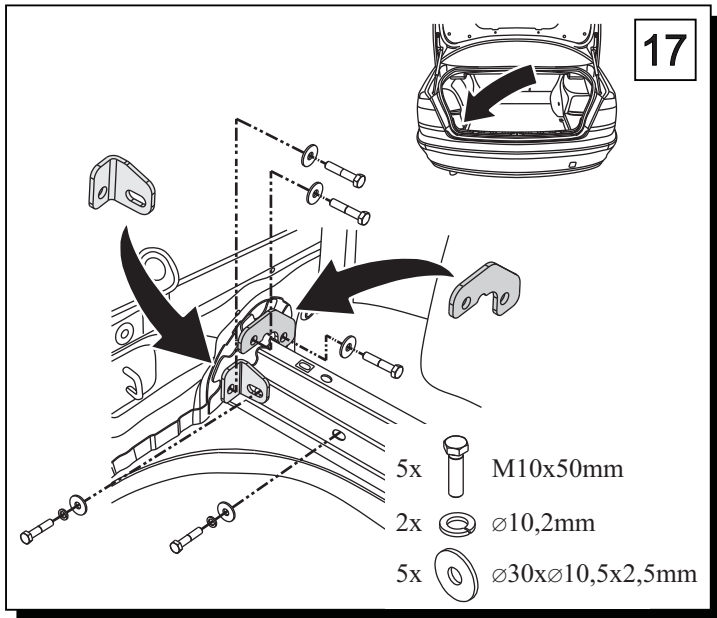
	x 1		9	M10x50	x 10	
				10	M8x45	x 1
				11	∅ 30x∅10.5x2.5 10 (DIN 9021)	x 16
				12	∅ 8.4	x 2
	x 1		13	∅ 10.2	x 10	
				14	M8	x 1
				15	M10	x 6
	x 1		16		x 1	
Art. nr-KL1B06A						
Art. nr-BL1B06A						
	x 1					
	x 1					
	x 1					
	x 1					
	x 2					

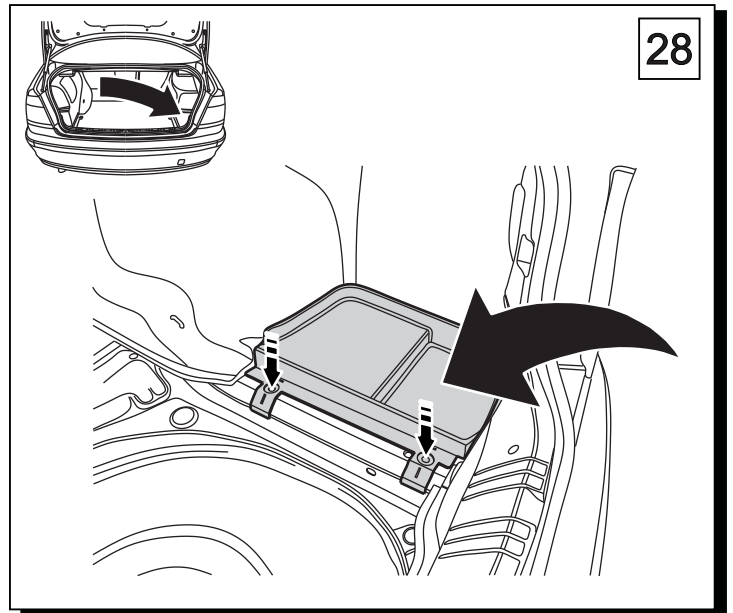
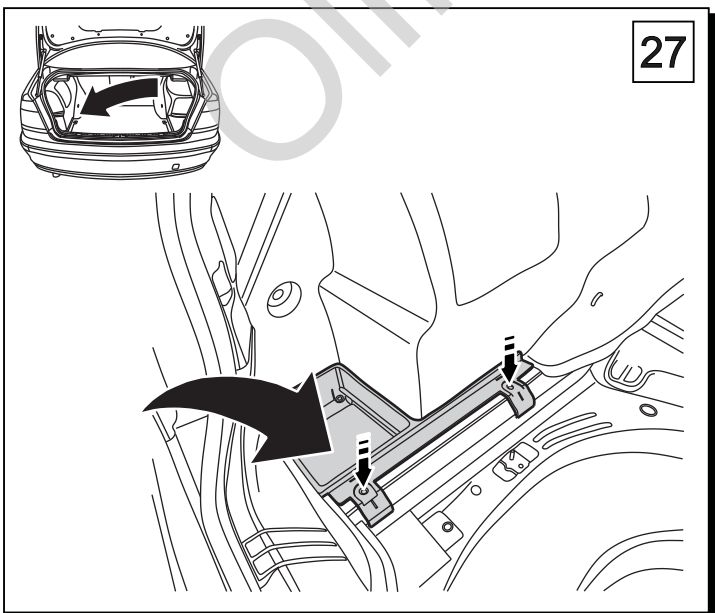
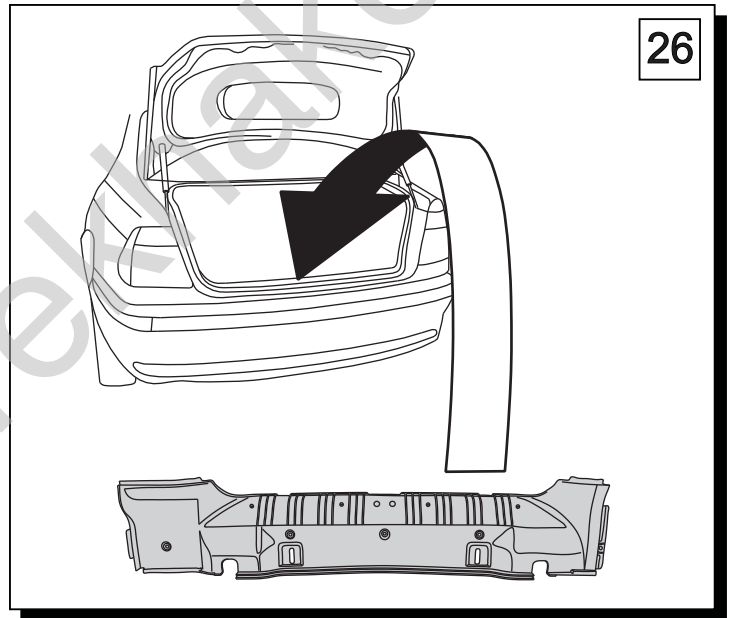
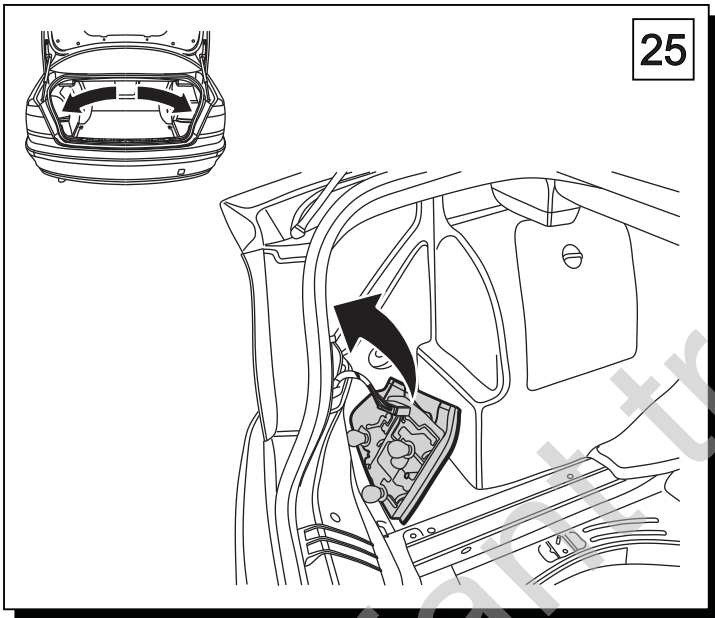
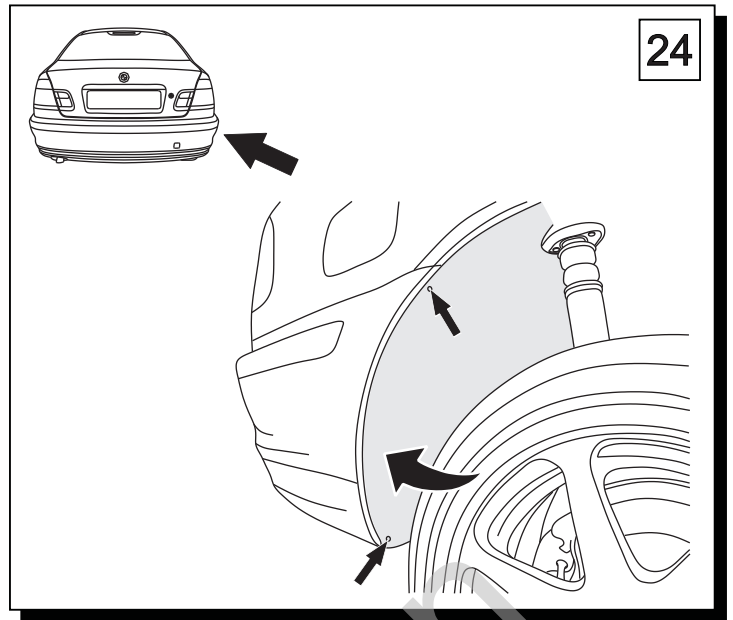
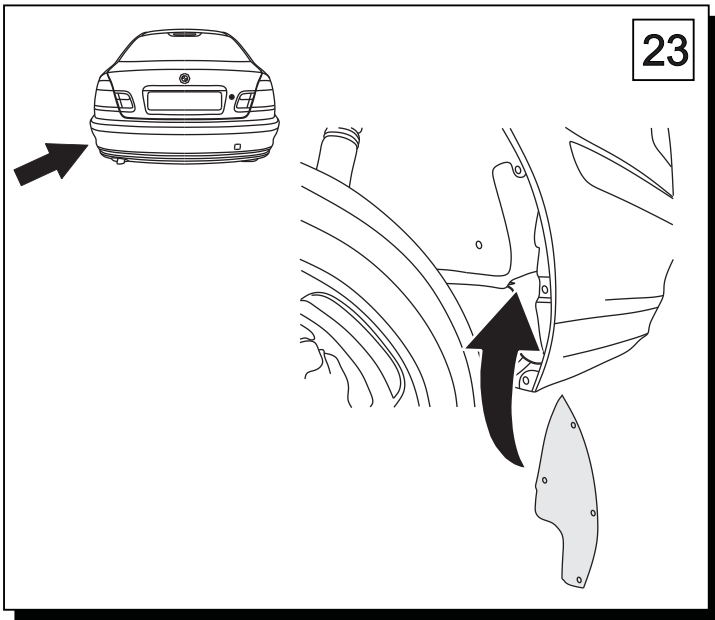


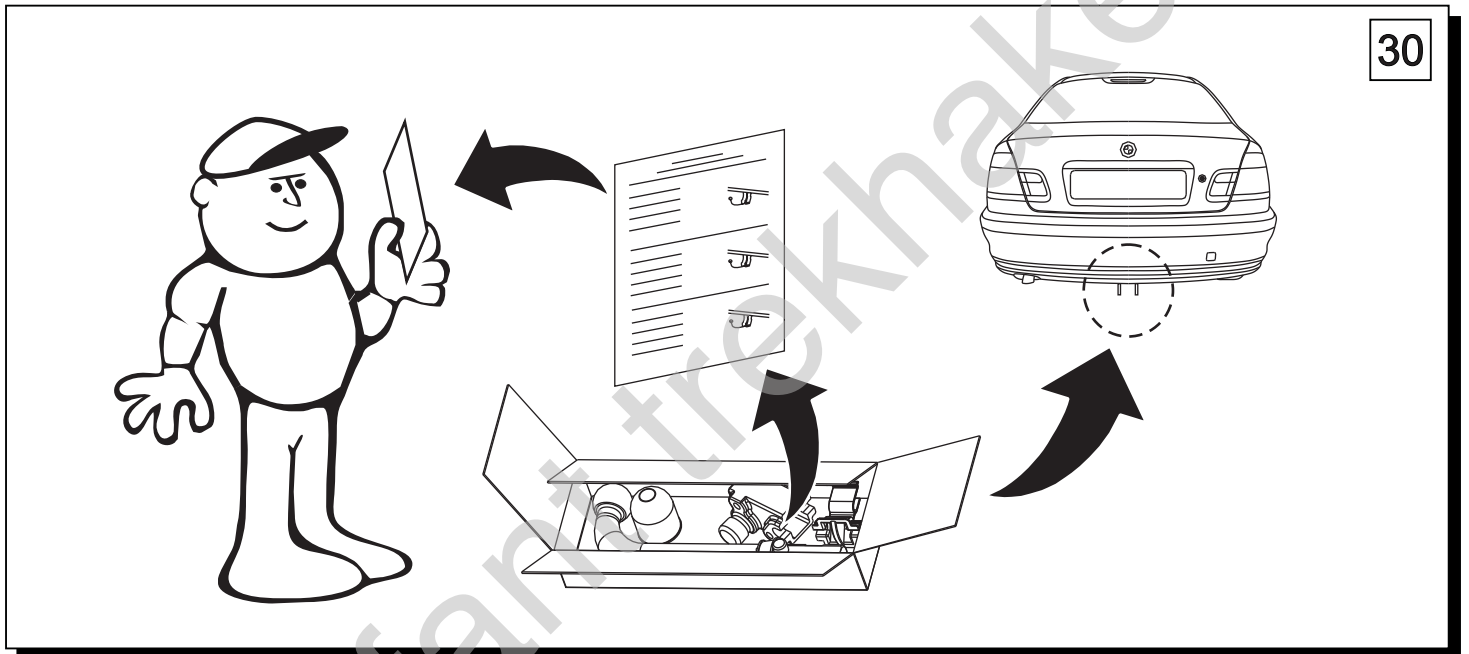
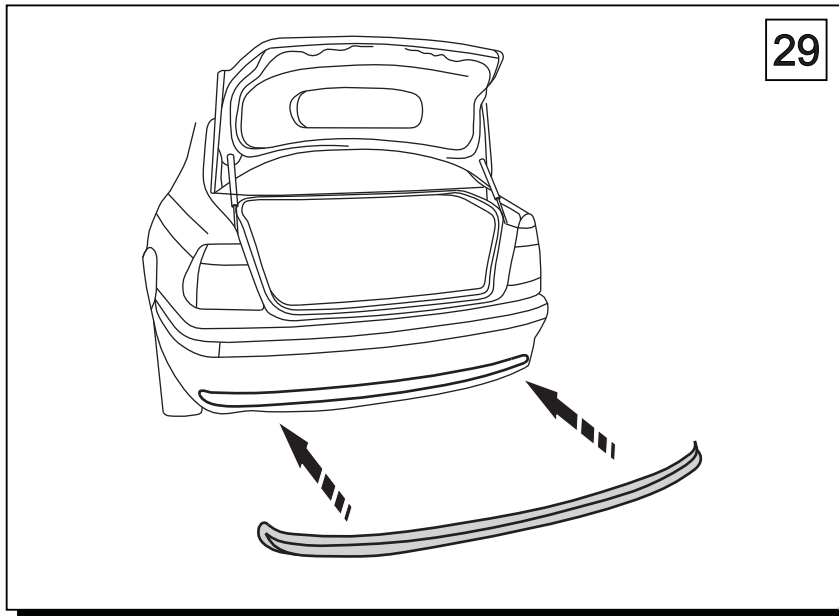




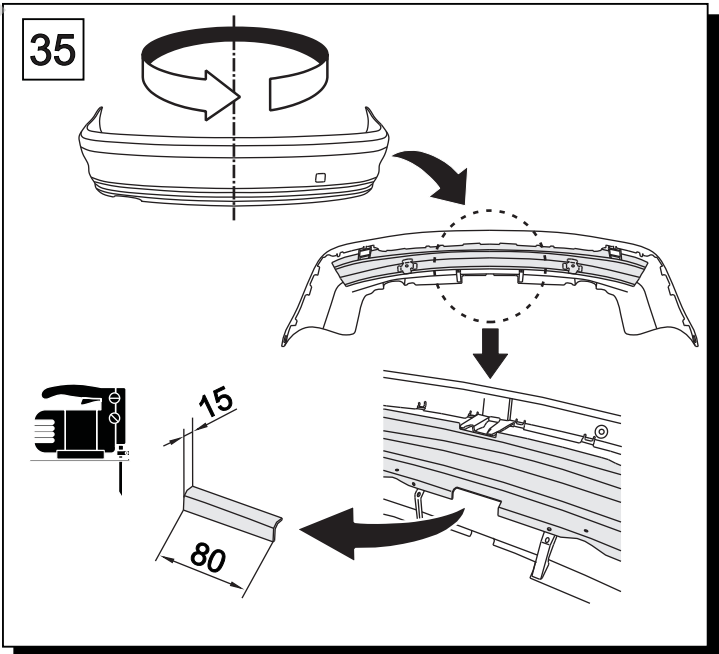
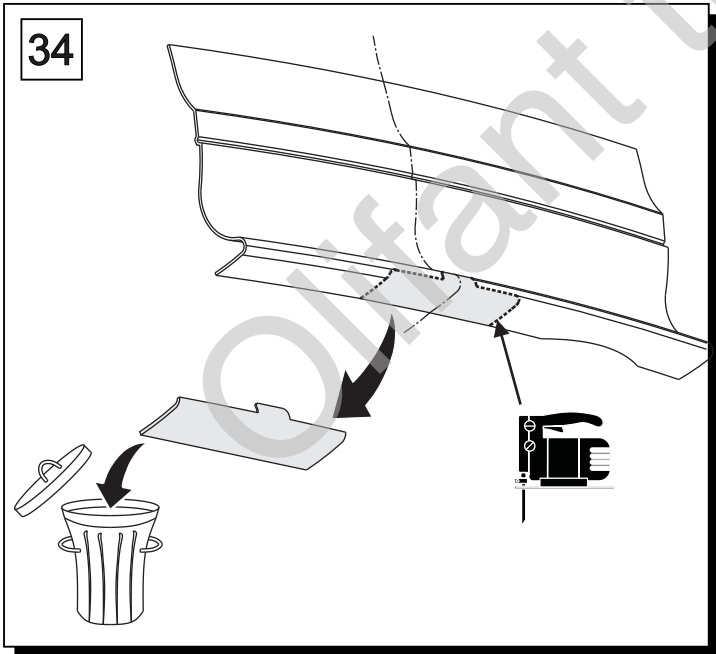
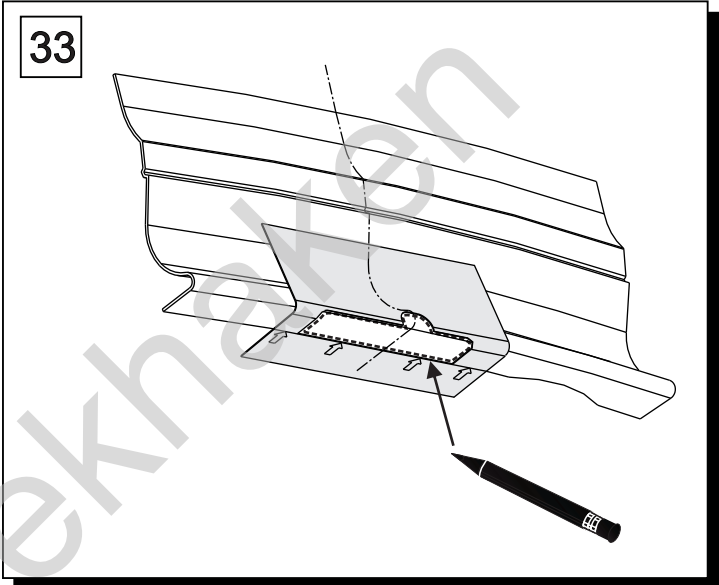
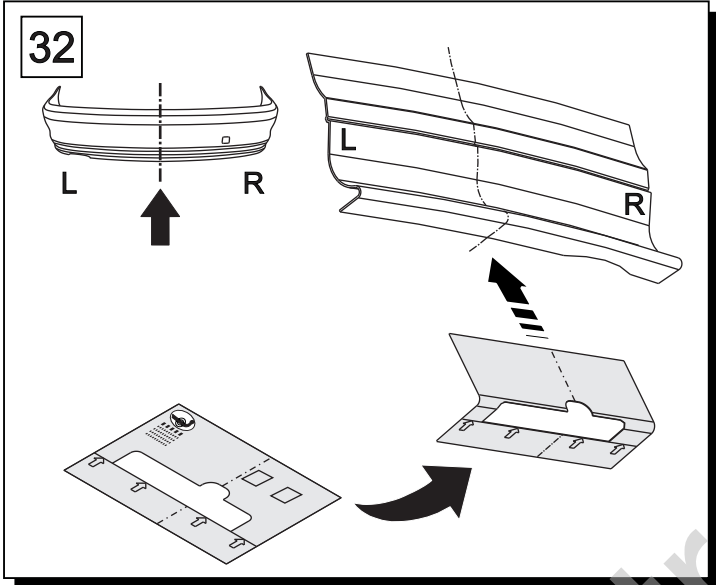
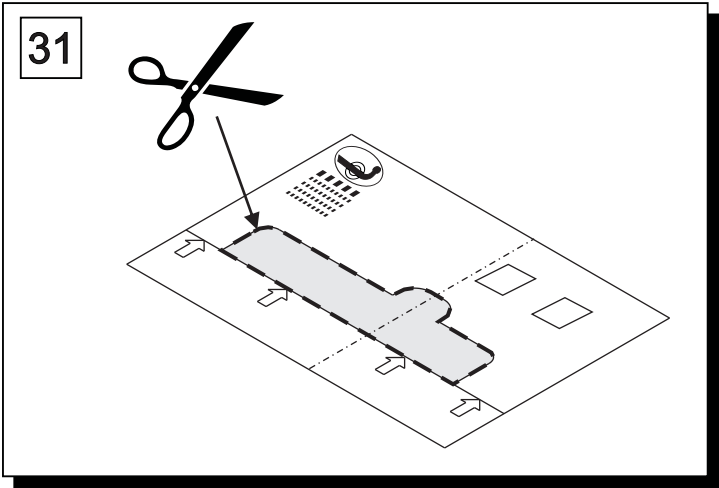
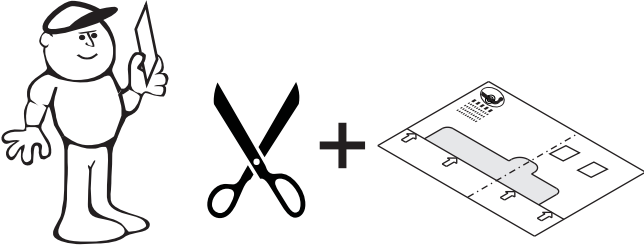


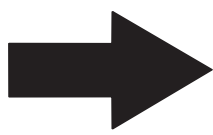






COMPACT 



 **14** ...

PPUH AUTO-HAK Sp.J.

Henryk & Zbigniew Nejman
ul. Słoneczna 16K 76-200 SŁUPSK
POLAND
tel/fax +48 059 8-414-414; 8-414-413
e-mail: office@autohak.com.pl
www.autohak.com.pl

Cat. no:

B06A



148

91

