

**AUTO-HAK Sp. z o.o.**

ul. Słoneczna 16K 76-200 SŁUPSK  
POLAND

tel/fax +48 59 8 414 414; +48 59 8 414 413

e-mail: [office@autohak.com.pl](mailto:office@autohak.com.pl)

[www.autohak.com.pl](http://www.autohak.com.pl)



**AUTO-HAK**



**AUDI A4**

4D, Quattro (B9), ~~S-Line/S4~~

**AUDI A4 AVANT**

KOMBI, Quattro (B9), ~~S-Line/S4~~

Cat. no:

**A34**



**10.2015 →**



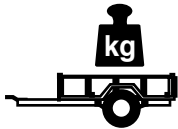
**E20-55R-01 4634**



**2h**

**D**

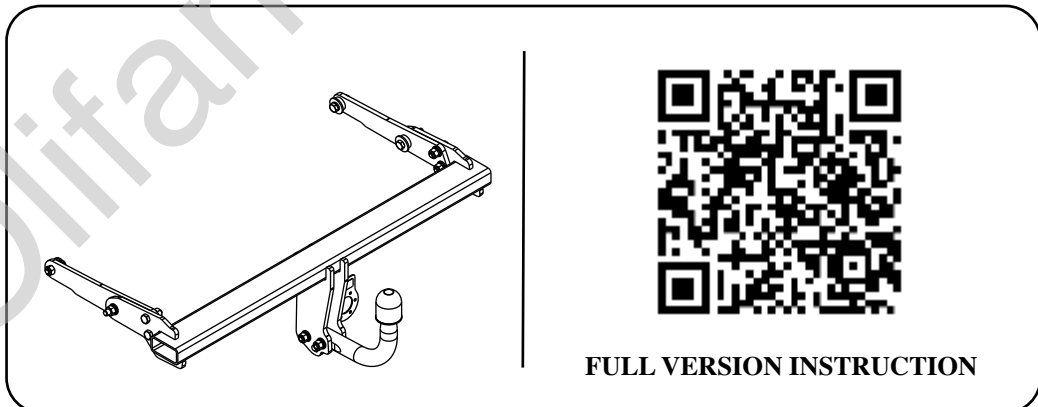
**10,75 kN**



**R=2100 kg**



**S=95 kg**



FULL VERSION INSTRUCTION



**M6 - 8,5 Nm**  
**M10 - 41 Nm**  
**M14 - 112 Nm**

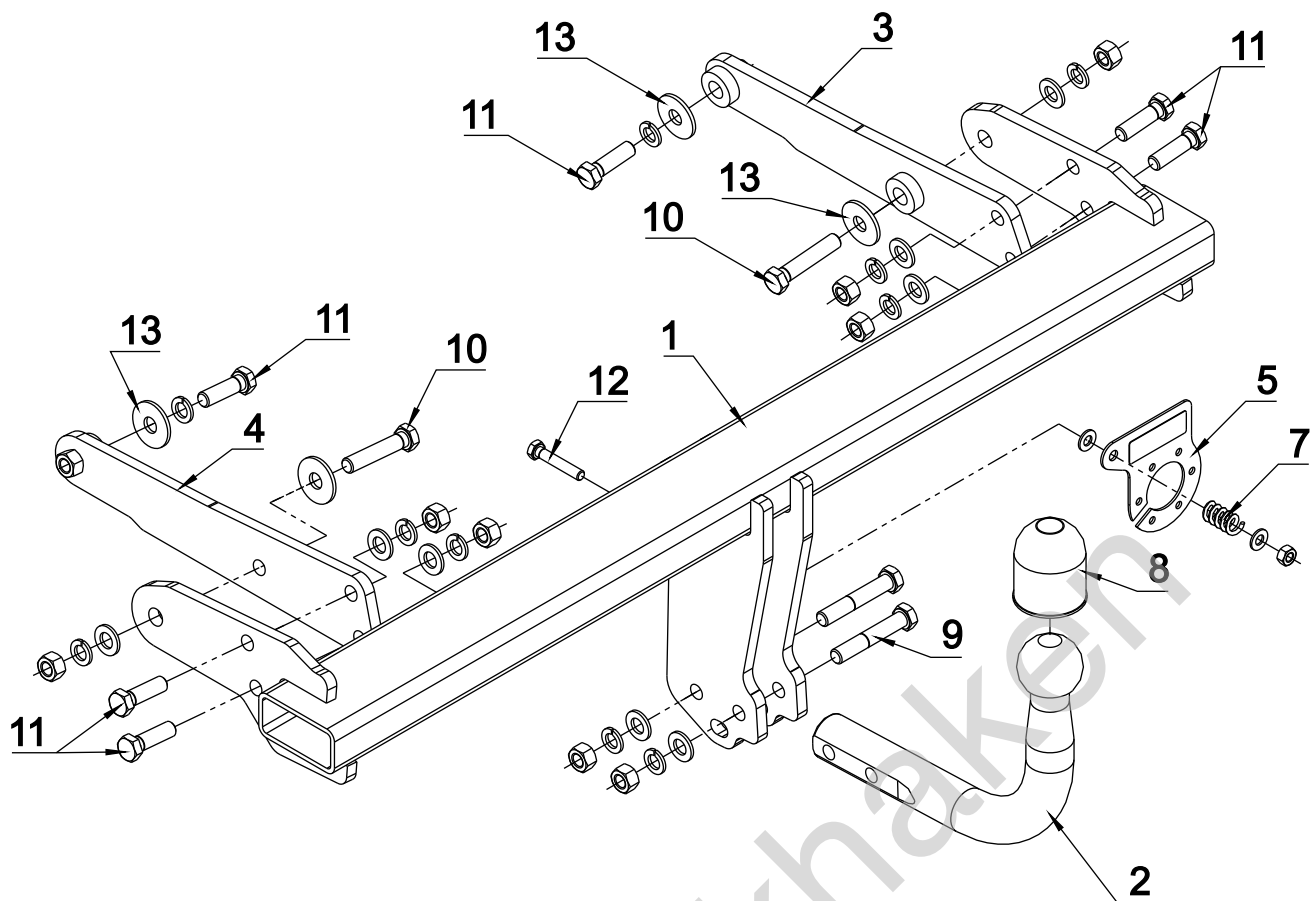
**M8 - 20 Nm**  
**M12 - 70 Nm**  
**M16 - 170 Nm**

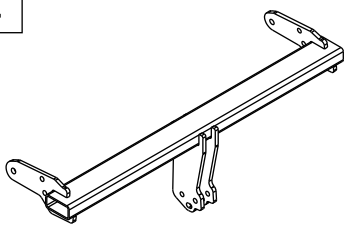





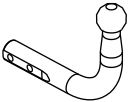


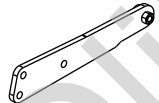

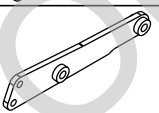
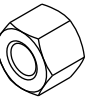


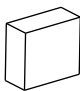
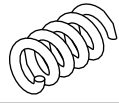



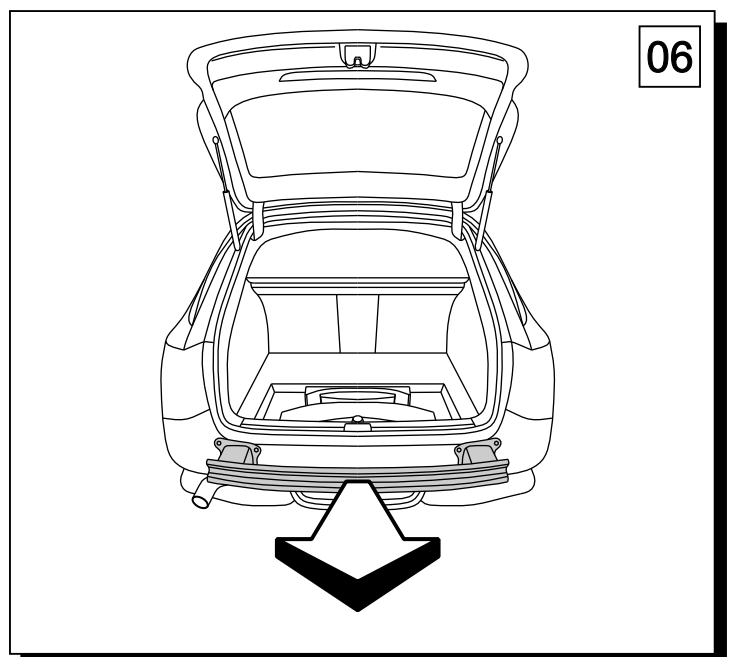
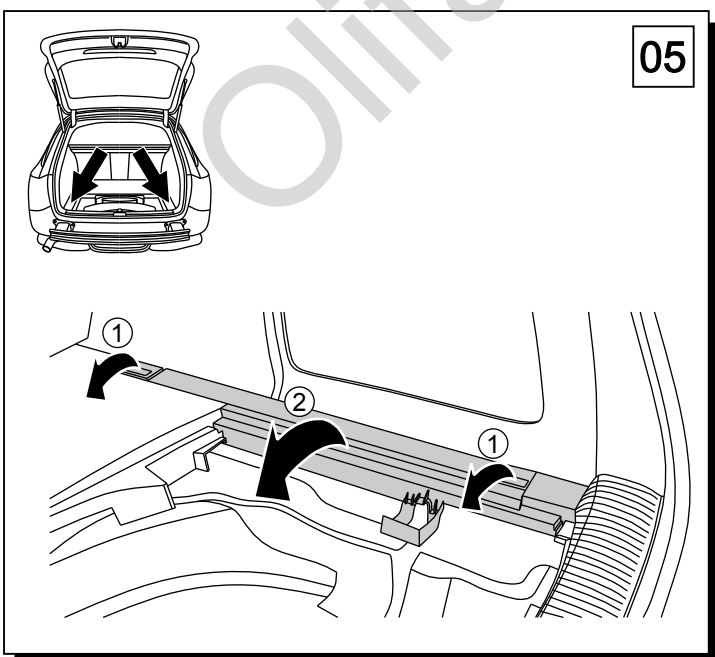
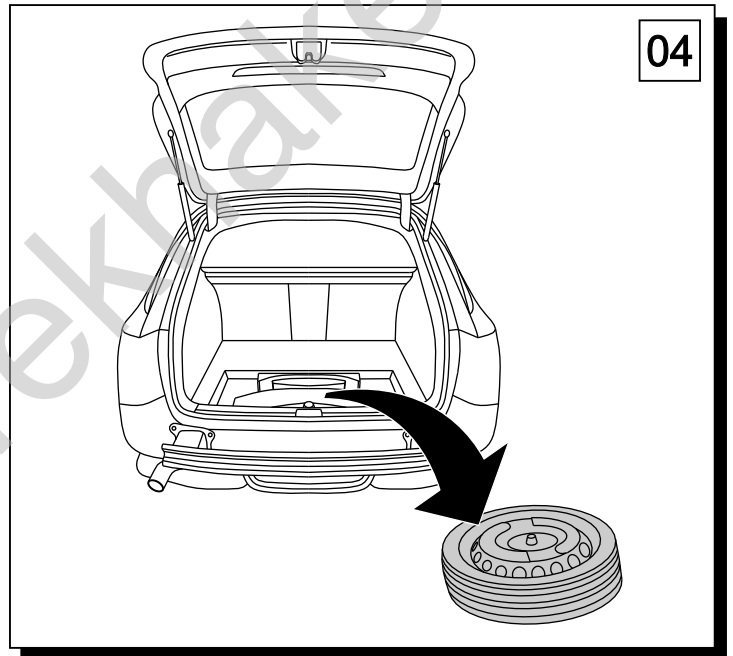
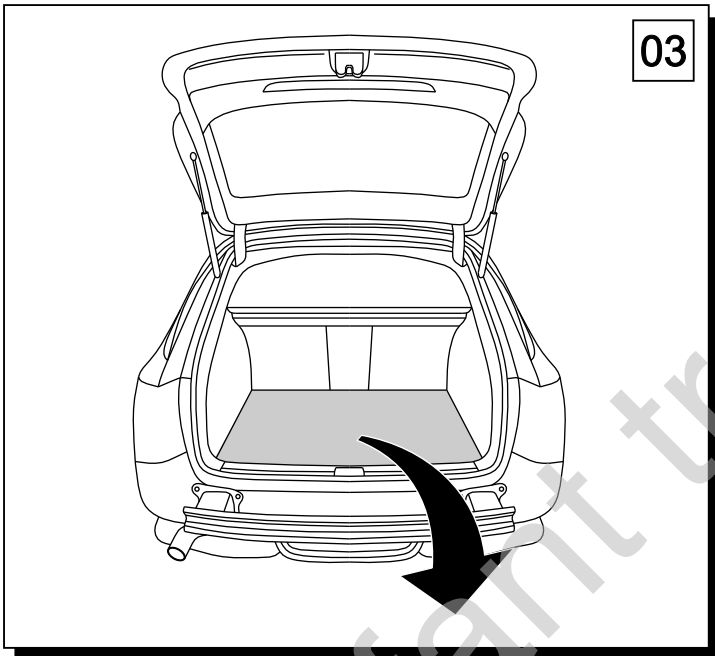
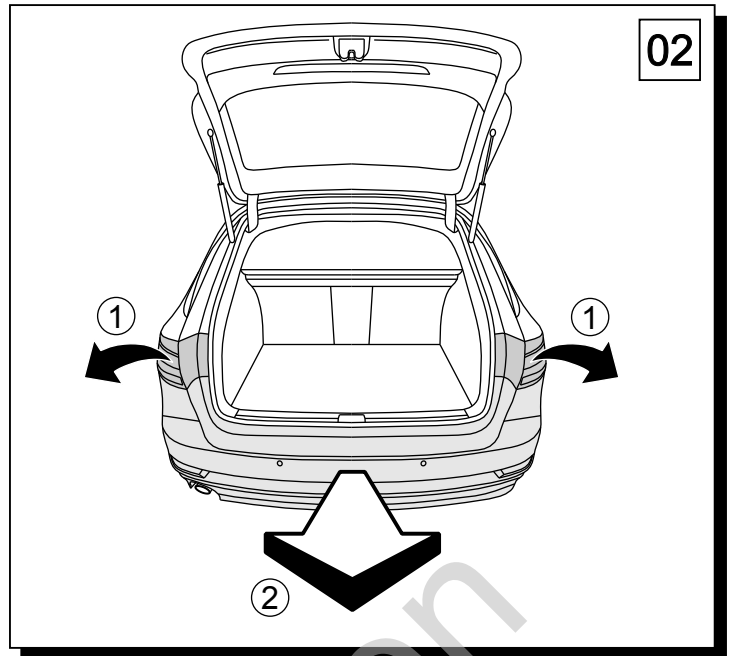
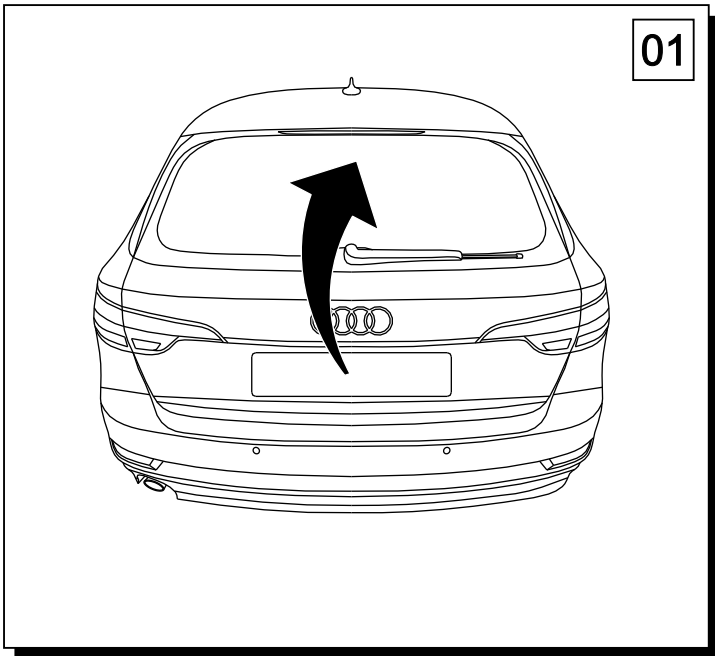
**0 km →**



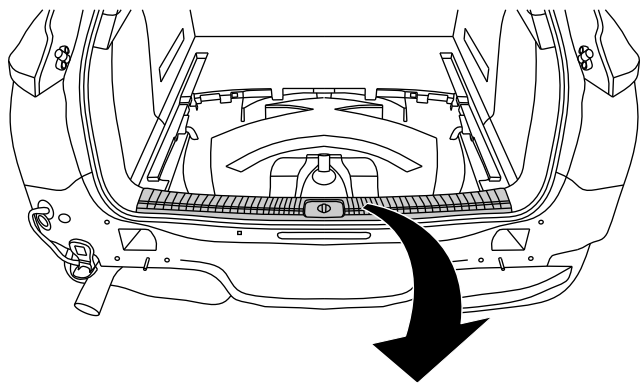
**1000 km**



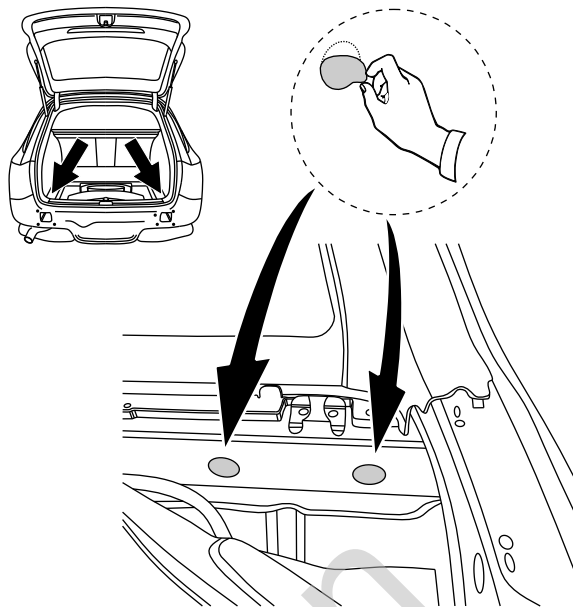
1		x1		9	M12x70	x2
				10	M12x60	x2
				11	M12x40	x6
				12	M8x45	x1
				13	∅ 37x∅13x3 13 DIN 9021	4
2		x1		14	∅ 13	x8
	Art.nr-KL1A34			15	∅ 8.5	x2
3		x1		16	∅ 12.2	x10
4		x1		17	M12	x8
5		x1		18	M8	x1
	Art.nr-BL1A34					
6		x2				
7		x1				
8		x1				



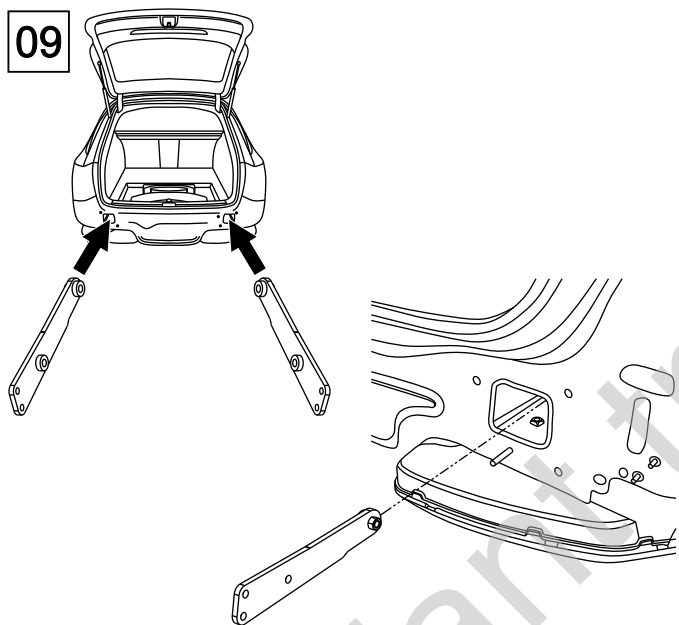
07



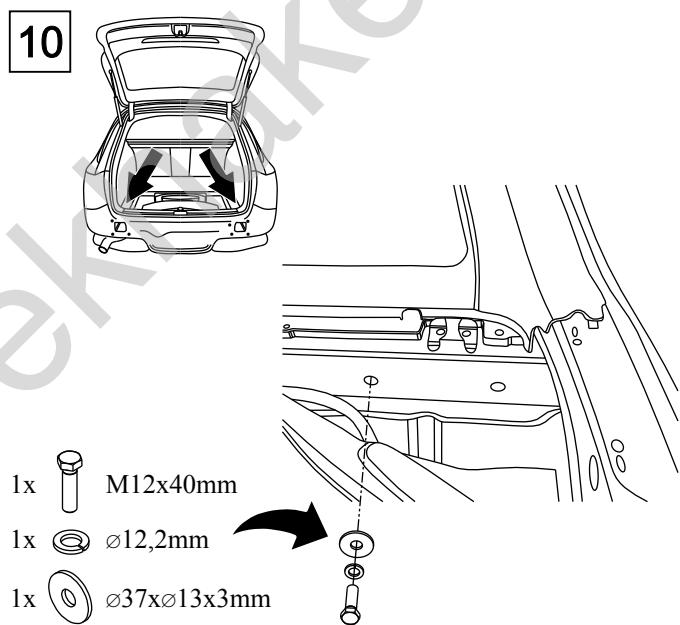
08



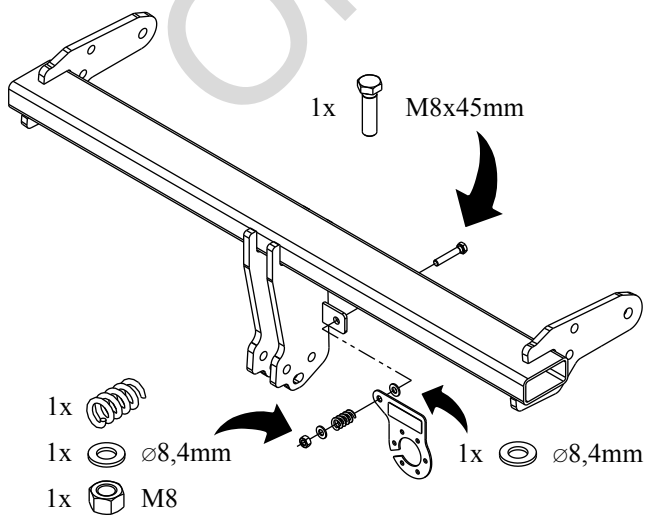
09



10



11



12

